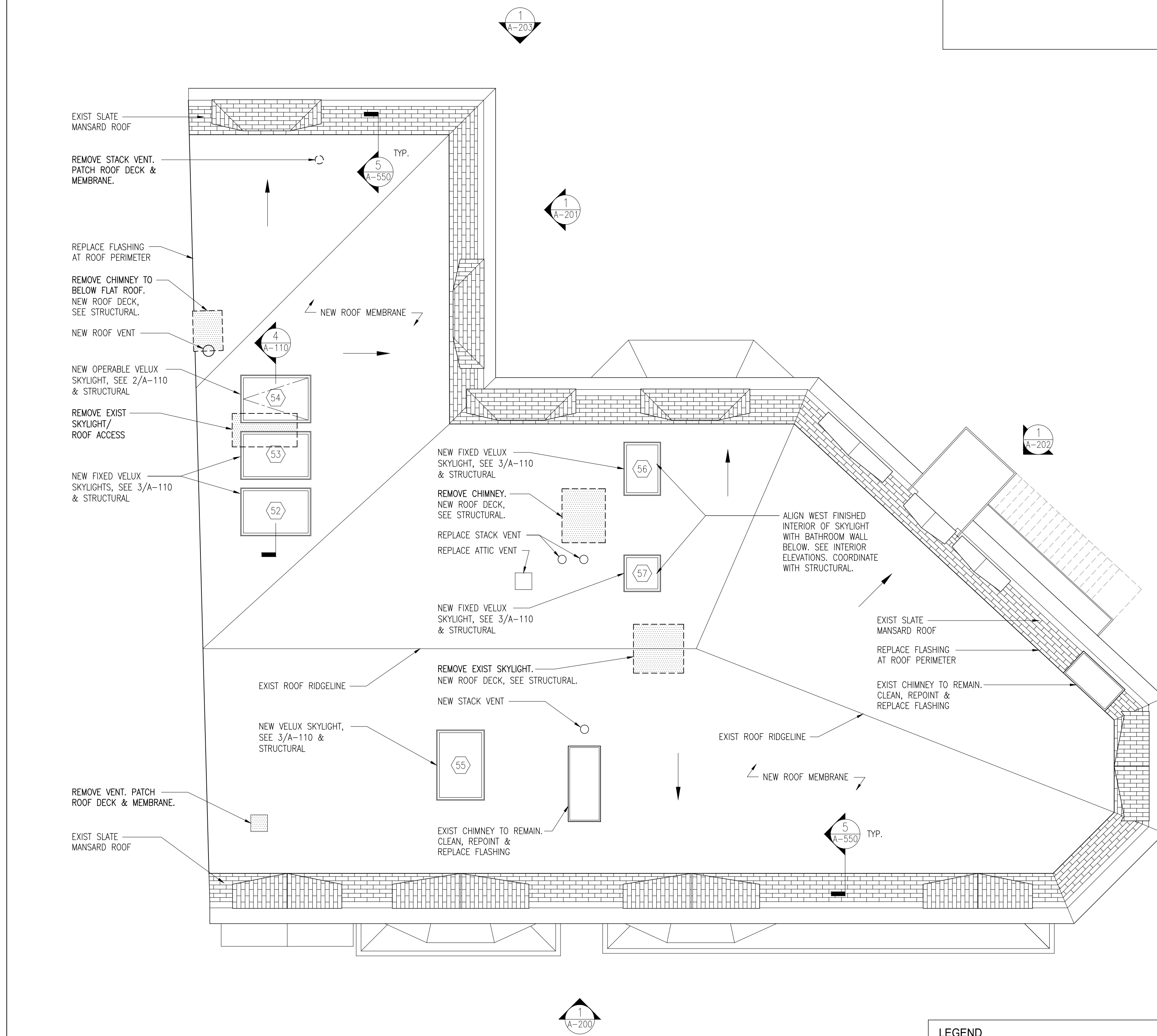


GENERAL NOTES

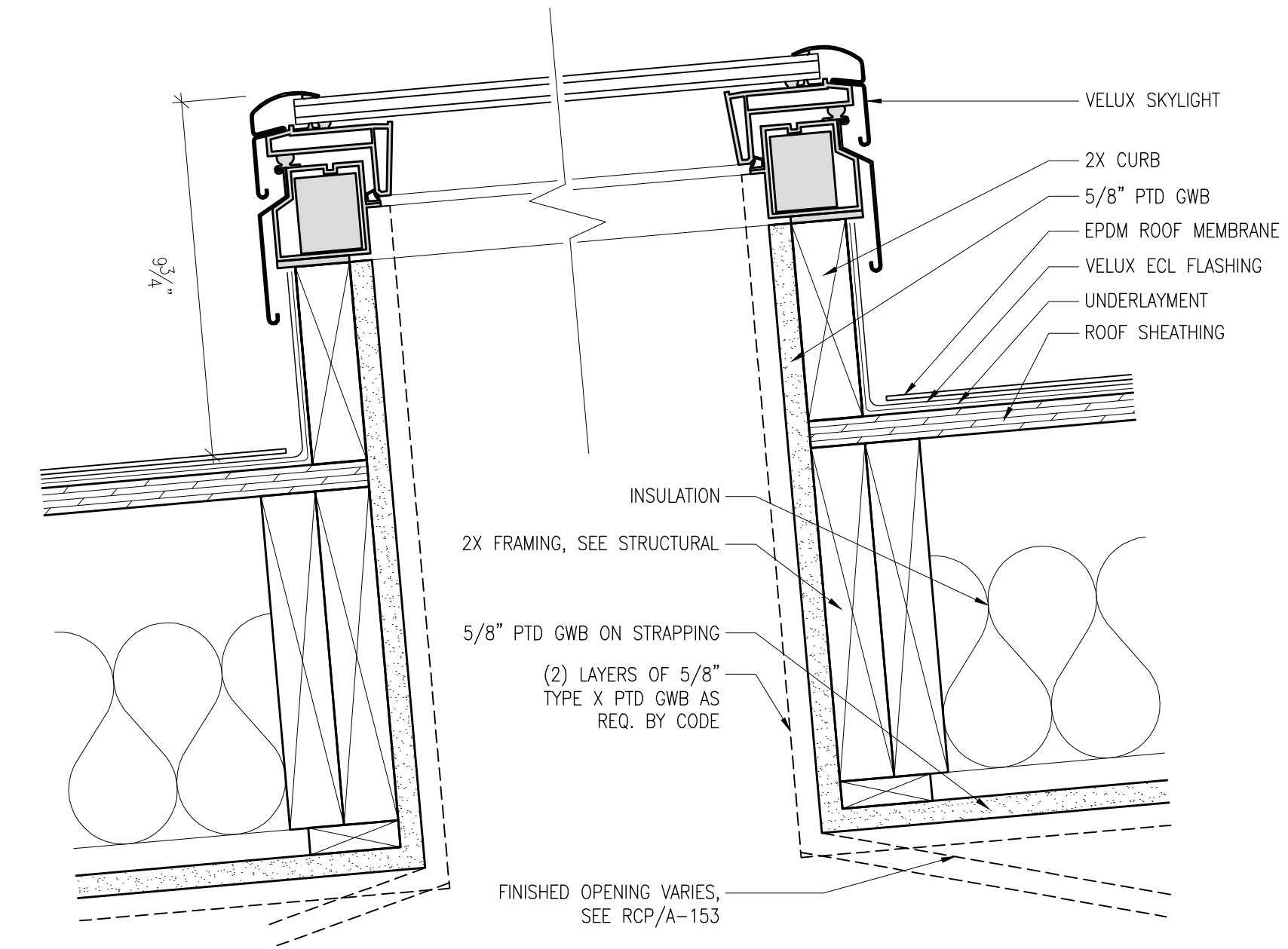
1. CONTINUOUS CUSTOM EPDM CHANNEL TO BE BUILT AT CURBS OF GANGED SKYLIGHTS, SEE 4/A-110. OFF-THE-SHELF CHANNEL NOT AVAILABLE THROUGH VELUX.



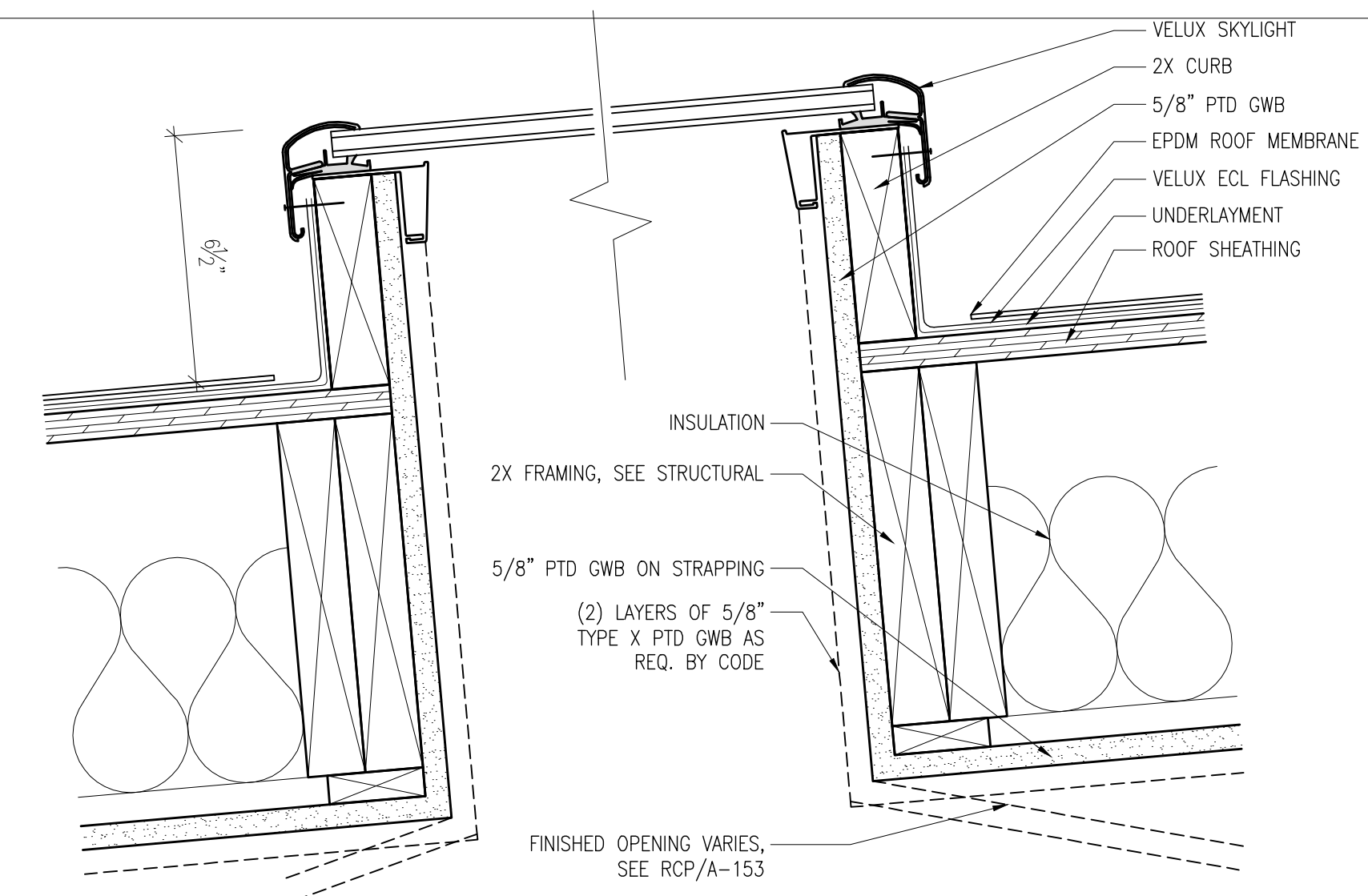
1 ROOF PLAN
A-110 1/4" = 1'-0"

LEGEND

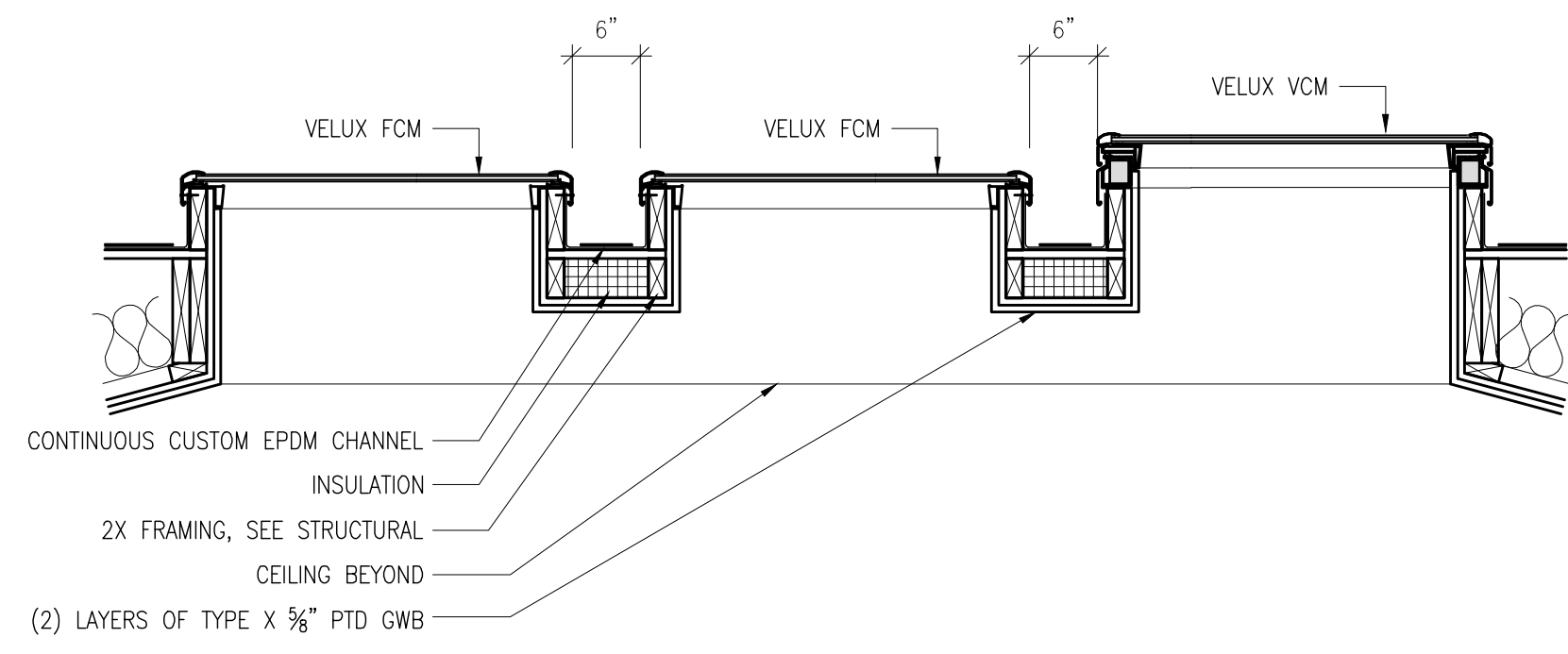
[Hatched Pattern] SLATE ROOF



2 VELUX VCM/VCE (OPERABLE SKYLIGHT) VERTICAL CROSS SECTION
A-110 3" = 1'-0"



3 VELUX FCM (FIXED SKYLIGHT) VERTICAL CROSS SECTION
A-110 3" = 1'-0"



4 CROSS SECTION OF GANGED SKYLIGHTS AT VERT. CORRIDOR
A-110 1/4" = 1'-0"

660-662 CONGRESS STREET
PORTLAND, MAINE

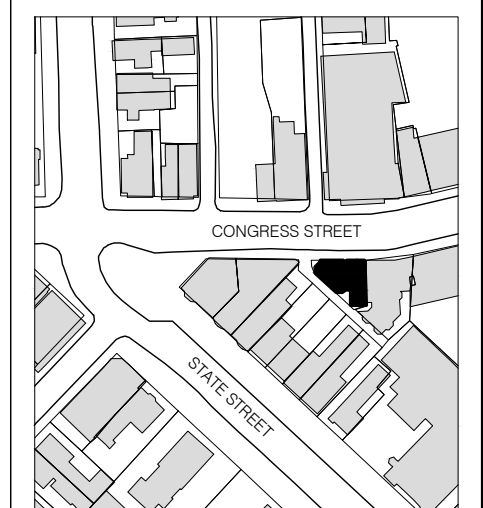
ARCHITECT:
PRESENT ARCHITECTURE PLLC
356 S 1ST ST. #32
BROOKLYN, NEW YORK 11211
T: (207) 449-8513

CONTRACTOR:
BAYHILL BUILDING & DESIGN
P.O. BOX 178
SOUTH FREEPORT, ME 04078
T: (207) 865-9351

STRUCTURAL ENGINEER:
ENGINEERING DESIGN PROFESSIONALS

P.O. BOX 575
FREEPORT, ME 04032
T: (207) 865-9505

NO.	DATE	ISSUE
2	5/15/2013	PHASE 1 PERMIT ISSUE
1	3/28/2013	HPCA SET



B-SCAN:

DWG. CONTENTS:
ROOF PLAN

DATE: 5/15/2013
SCALE: 1/4" = 1'-0"
DWG. BY: [Redacted]
PROJECT NO.: 008
DWG. NO.: **A-110**
SHEET NO.: