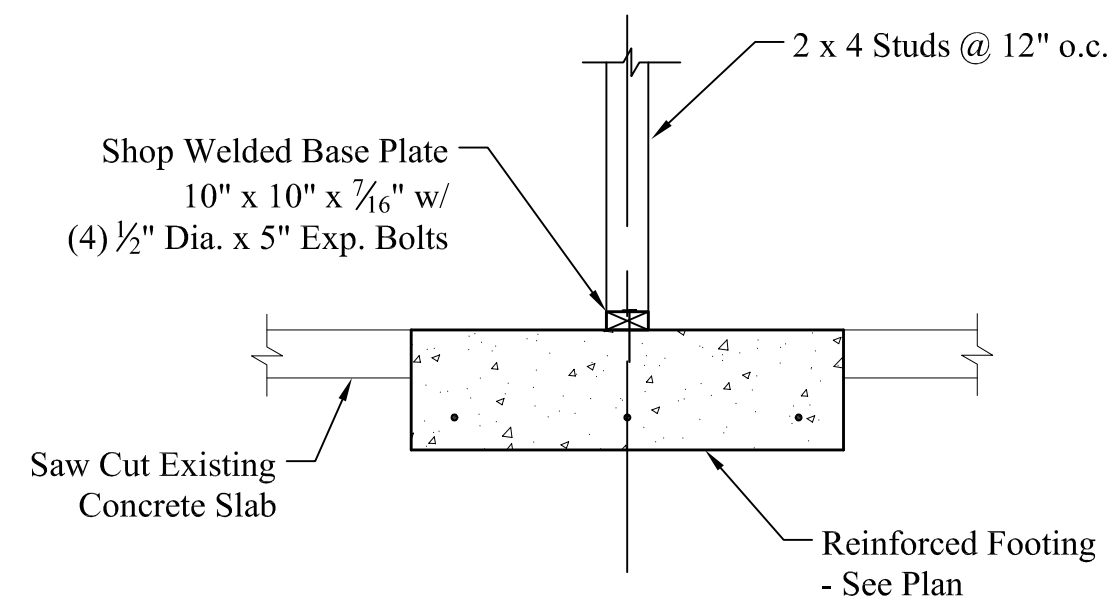


1
S2

COLUMN FOOTING

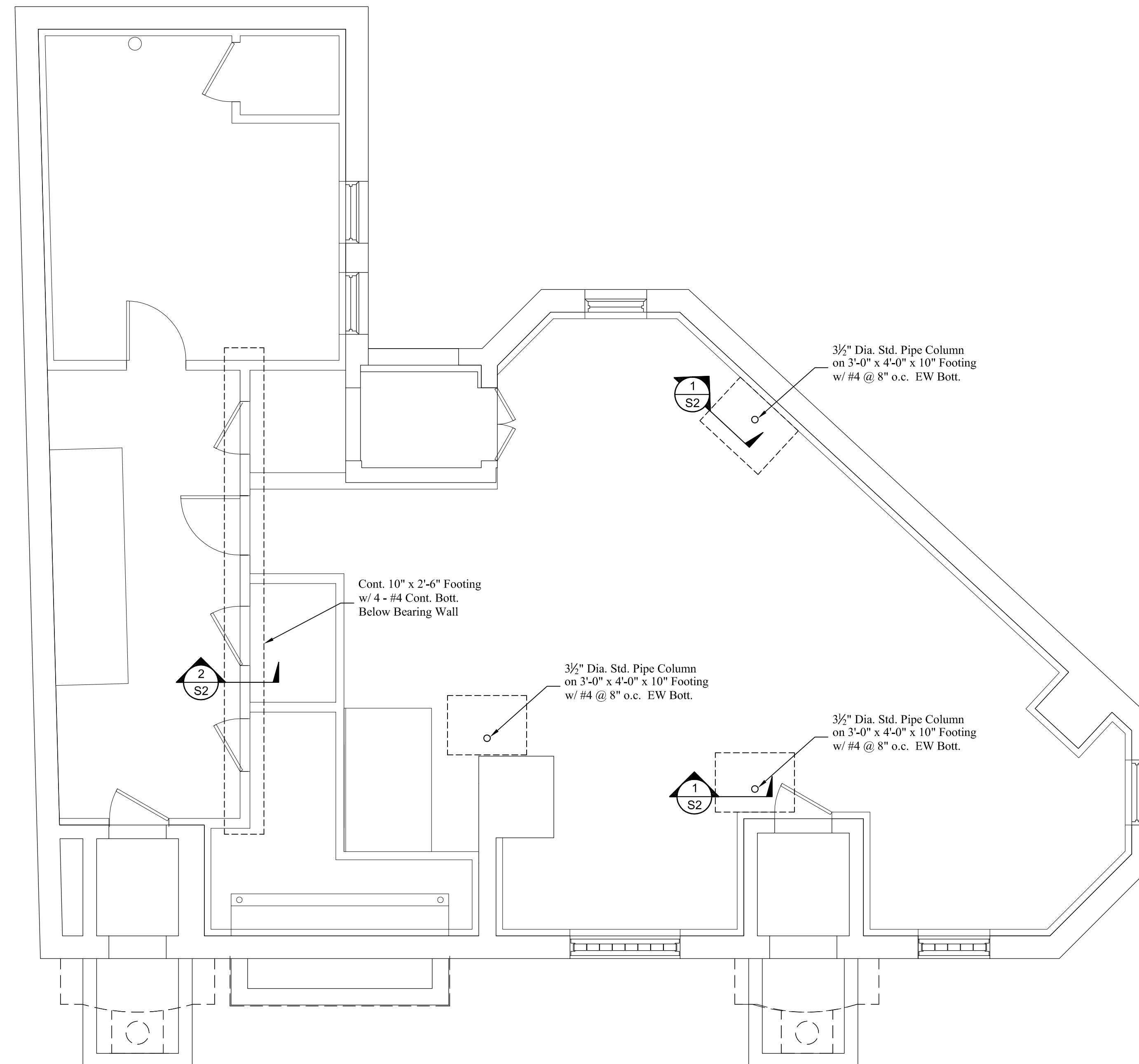
Scale: 3/4" = 1'-0"



2
S2

BEARING WALL FOOTING

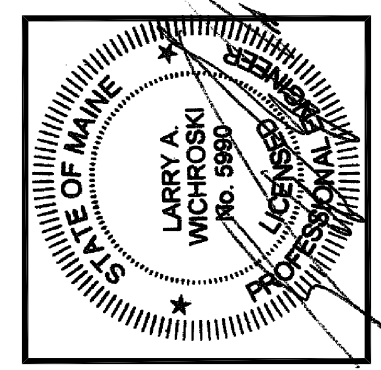
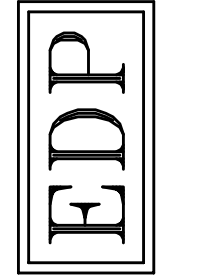
Scale: 3/4" = 1'-0"



FOUNDATION PLAN

SCALE: 1/4" = 1'-0"

- FOUNDATION NOTES:**
1. See Structural Notes sheet S-1 for information.
 2. Refer to architectural drawings for dimensions, wall locations and door and window locations.
 3. Field verify all existing shown information prior to starting work.
 4. Prior to pouring column and wall footings, test bearing soils for proper capacity of 1,500 psf.



DESIGNED BY:
Larry Wichroski, P.E.

DRAWN BY:
LAW

JOB NO.:
02412

DATE:
04-20-2013

REVISIONS:

SHEET:
S2