

**660-662
CONGRESS
STREET**

PORTLAND, MAINE

ARCHITECT:
PRESENT ARCHITECTURE PLLC

66 WEST BROADWAY, SUITE 306
NEW YORK, NY, 10007
T: (207) 449-8513

CONTRACTOR:
BAYHILL BUILDING & DESIGN

P.O. BOX 178
SOUTH FREEPORT, ME 04078
T: (207) 865-9351

STRUCTURAL ENGINEER:
**ENGINEERING DESIGN
PROFESSIONALS**

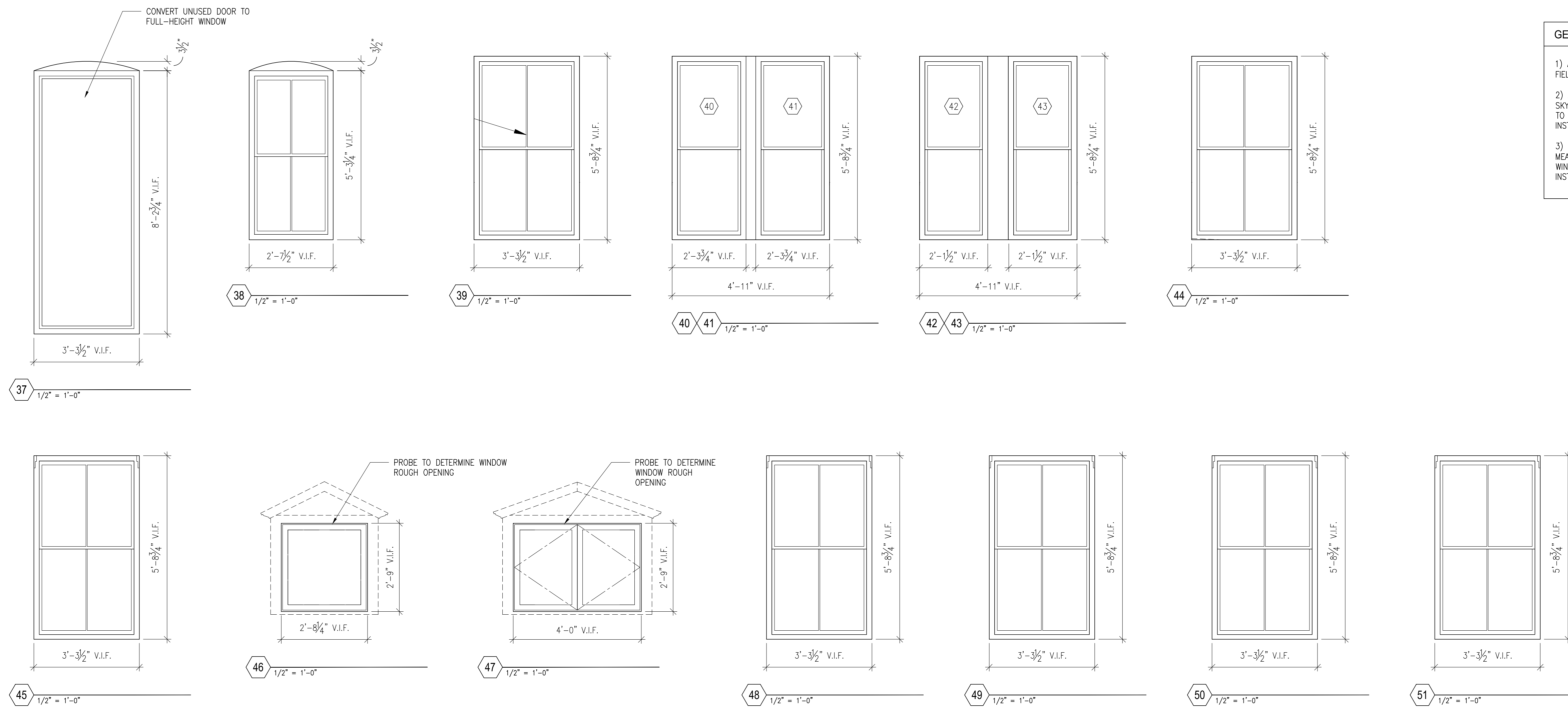
P.O. BOX 575
FREEPORT, ME 04032
T: (207) 865-9505

OWNER:
A.K. LONGFELLOW LLC

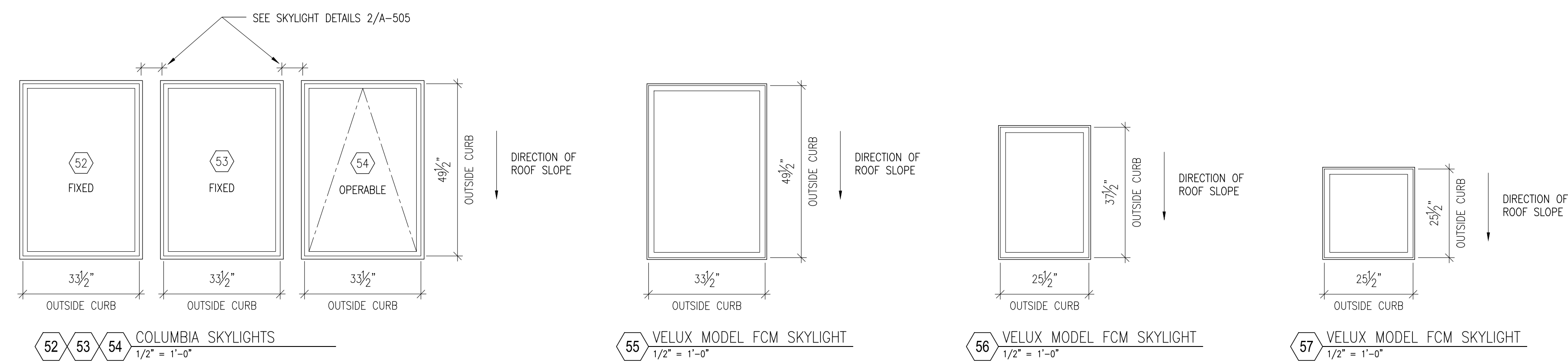
660 CONGRESS STREET
PORTLAND, ME 04101

GENERAL NOTES

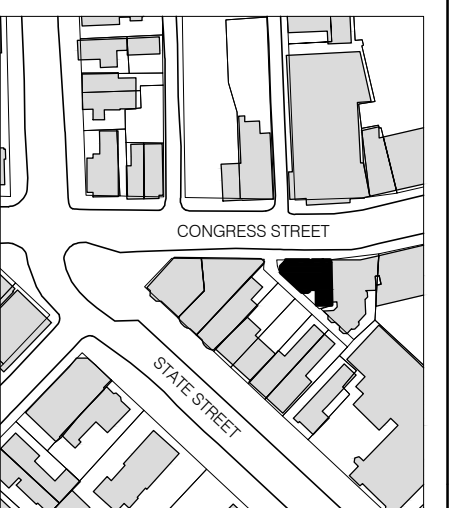
- 1) ALL WINDOW ROUGH OPENINGS ARE TO BE FIELD VERIFIED BY CONTRACTOR.
- 2) ALL FINISHED CURB DIMENSIONS ON SKYLIGHT TYPES ARE APPROXIMATE. INSTALLER TO COORDINATE WITH APPROVED MANUFACTURER INSTALLATION INSTRUCTIONS.
- 3) WINDOW SILL HEIGHTS ARE TO BE FIELD MEASURED BY INSTALLER. SAFETY GLAZING AND WINDOW OPENING LIMITING DEVICES ARE TO BE INSTALLED AS REQUIRED BY CODE.



SKYLIGHT TYPES



NO.	DATE	ISSUE
4	7/18/2014	PHASE 2 PERMIT ISSUE
3	1/15/2014	FIRE MARSHAL ISSUE
2	5/15/2013	PHASE 1 PERMIT ISSUE
1	3/28/2013	HPCA SET



NTS N



B-SCAN:

DWG. CONTENTS:
WINDOW TYPES

DATE: September 5, 2014
SCALE: 1/2" = 1'-0"
DWG. BY:
PROJECT NO.: 008
DWG. NO.: **A-606**

SHEET NO.: