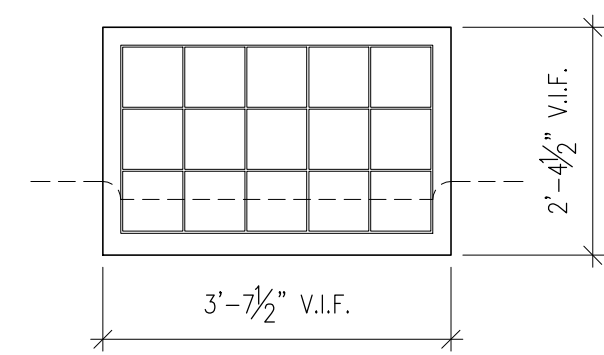
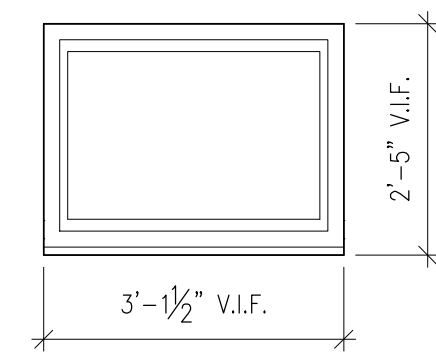


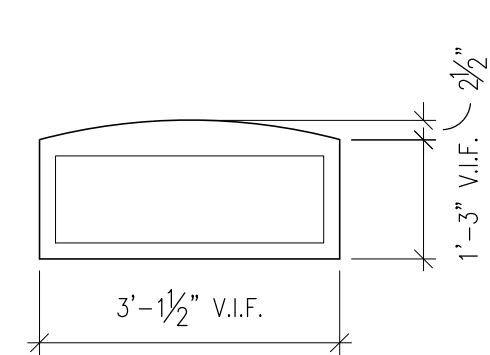
4 GLASS BLOCK WINDOW
1/2" = 1'-0"



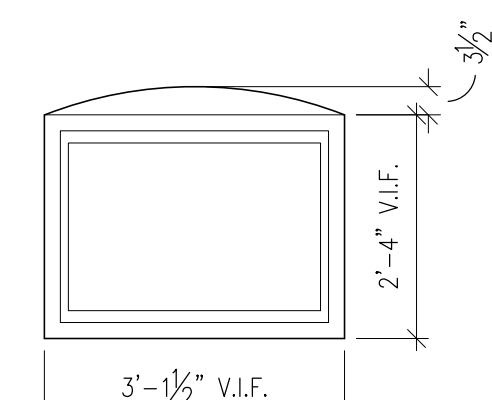
5 GLASS BLOCK WINDOW
1/2" = 1'-0"



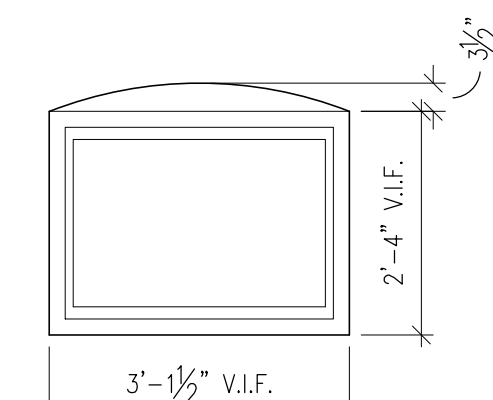
6
1/2" = 1'-0"



7
1/2" = 1'-0"



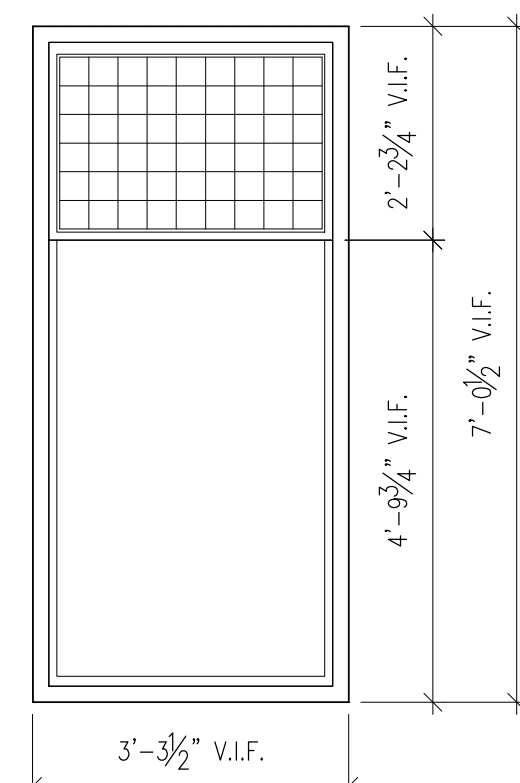
8
1/2" = 1'-0"



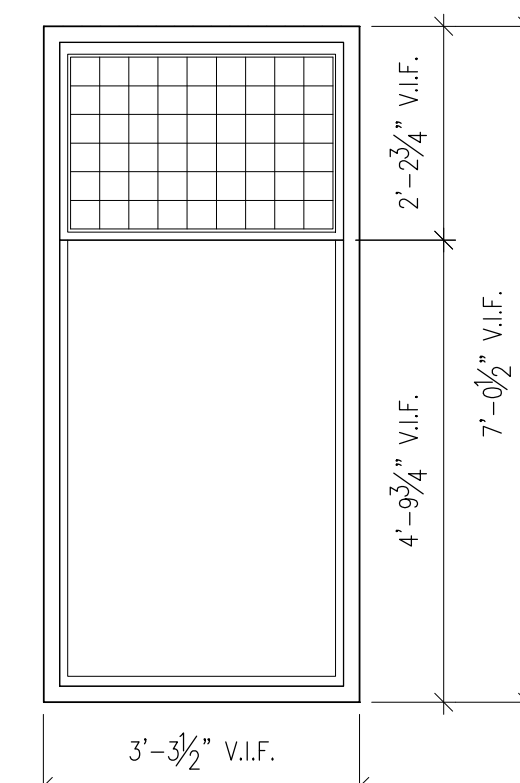
9
1/2" = 1'-0"

GENERAL NOTES

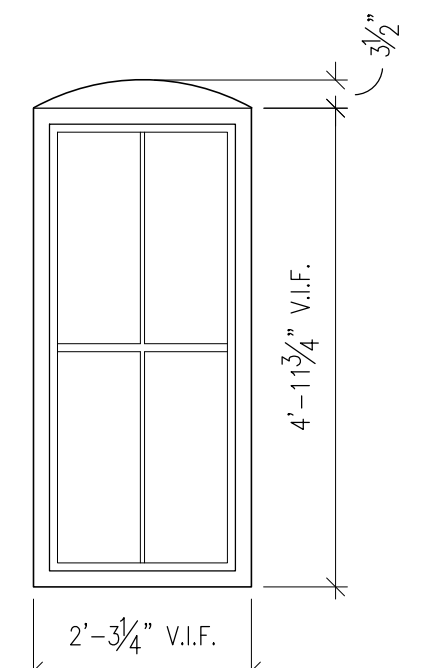
- 1) ALL WINDOW ROUGH OPENINGS ARE TO BE FIELD VERIFIED BY CONTRACTOR.
- 2) ALL FINISHED CURB DIMENSIONS ON SKIRTLIGHT TYPES ARE APPROXIMATE. INSTALLER TO COORDINATE WITH APPROVED MANUFACTURER INSTALLATION INSTRUCTIONS.
- 3) WINDOW SILL HEIGHTS ARE TO BE FIELD MEASURED BY INSTALLER. SAFETY GLAZING AND WINDOW OPENING LIMITING DEVICES ARE TO BE INSTALLED AS REQUIRED BY CODE.



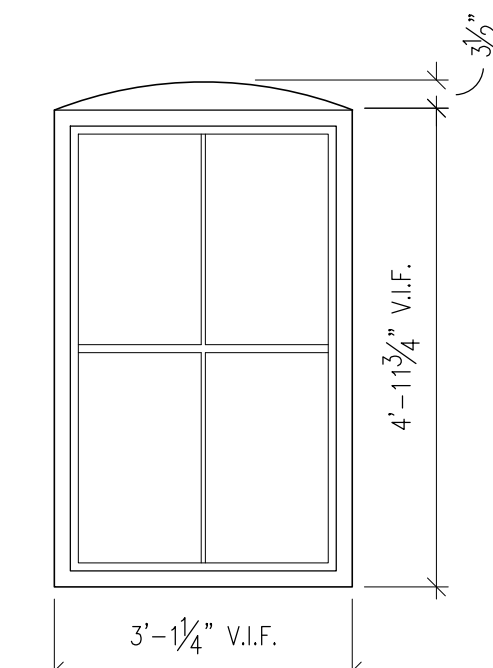
10 REHABILITATE EXIST WINDOW
1/2" = 1'-0"



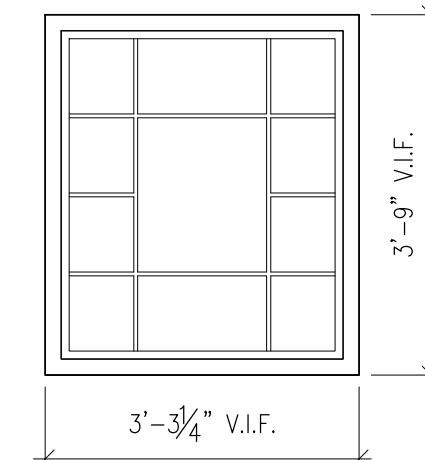
11 REHABILITATE EXIST WINDOW
1/2" = 1'-0"



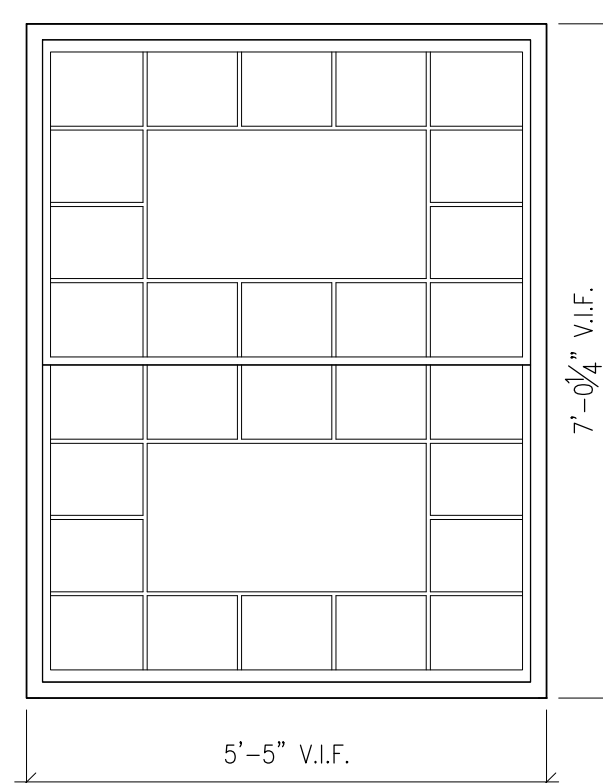
12
1/2" = 1'-0"



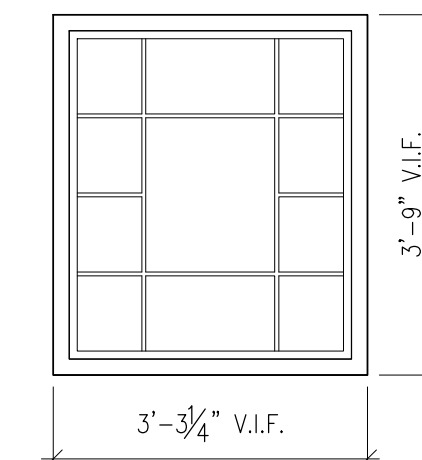
13
1/2" = 1'-0"



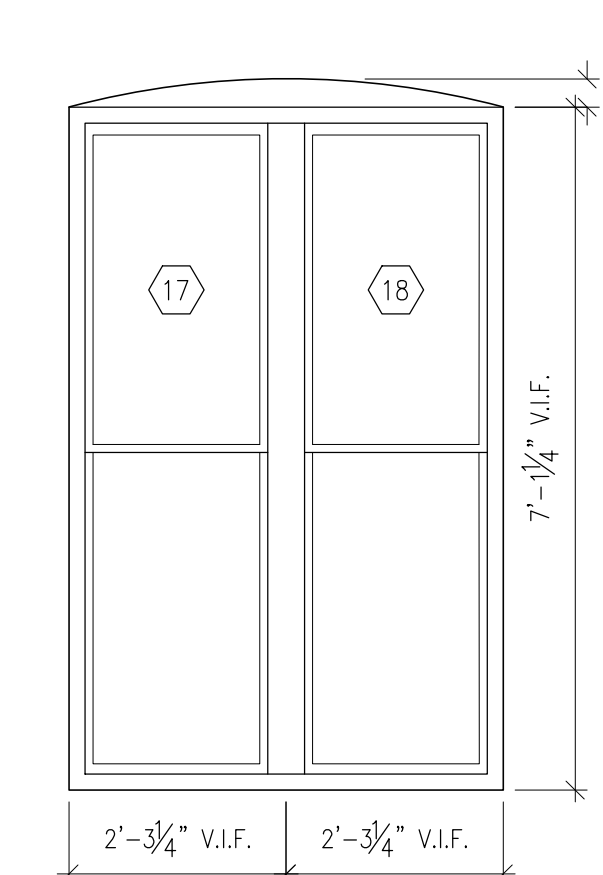
14 REHABILITATE EXIST WINDOW
1/2" = 1'-0"



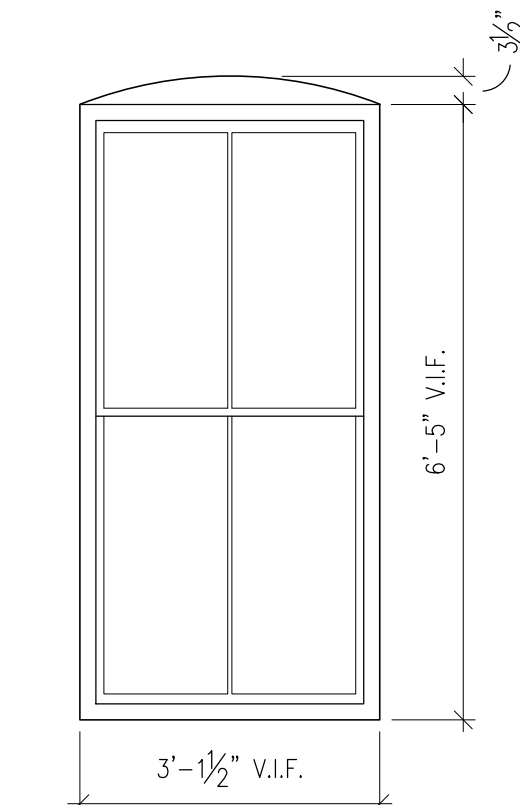
15 REHABILITATE EXIST WINDOW
1/2" = 1'-0"



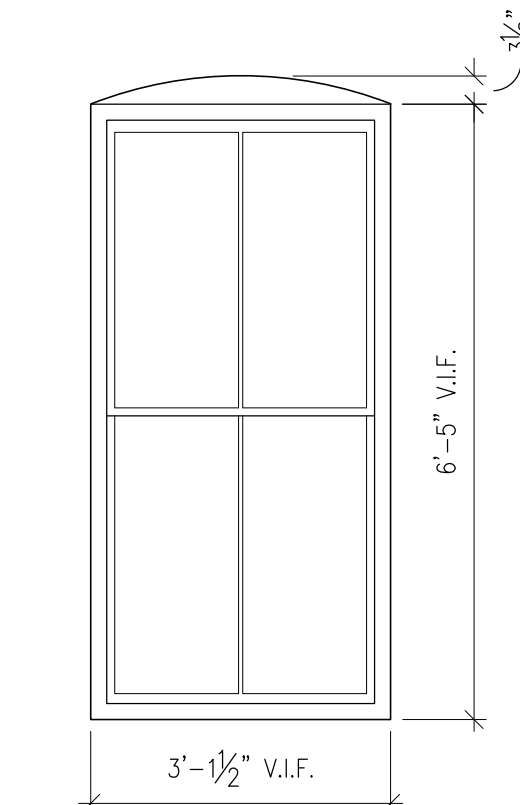
16 REHABILITATE EXIST WINDOW
1/2" = 1'-0"



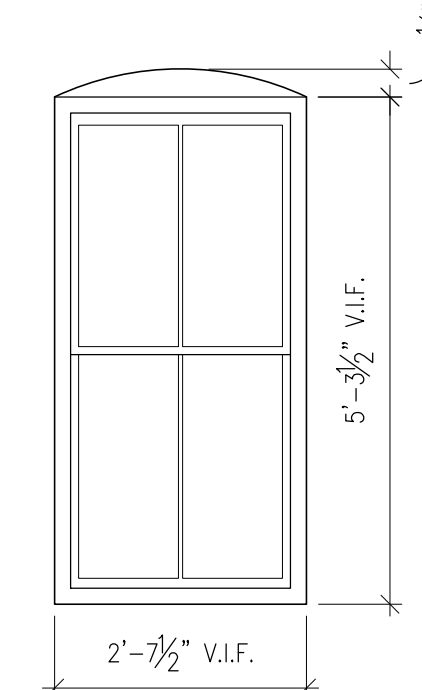
17 18
1/2" = 1'-0"



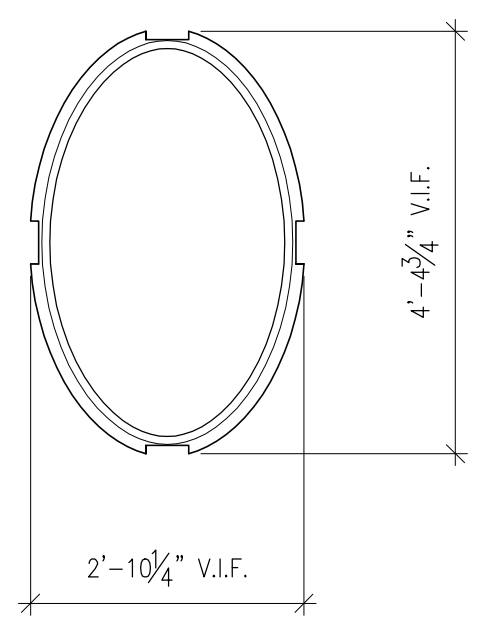
19
1/2" = 1'-0"



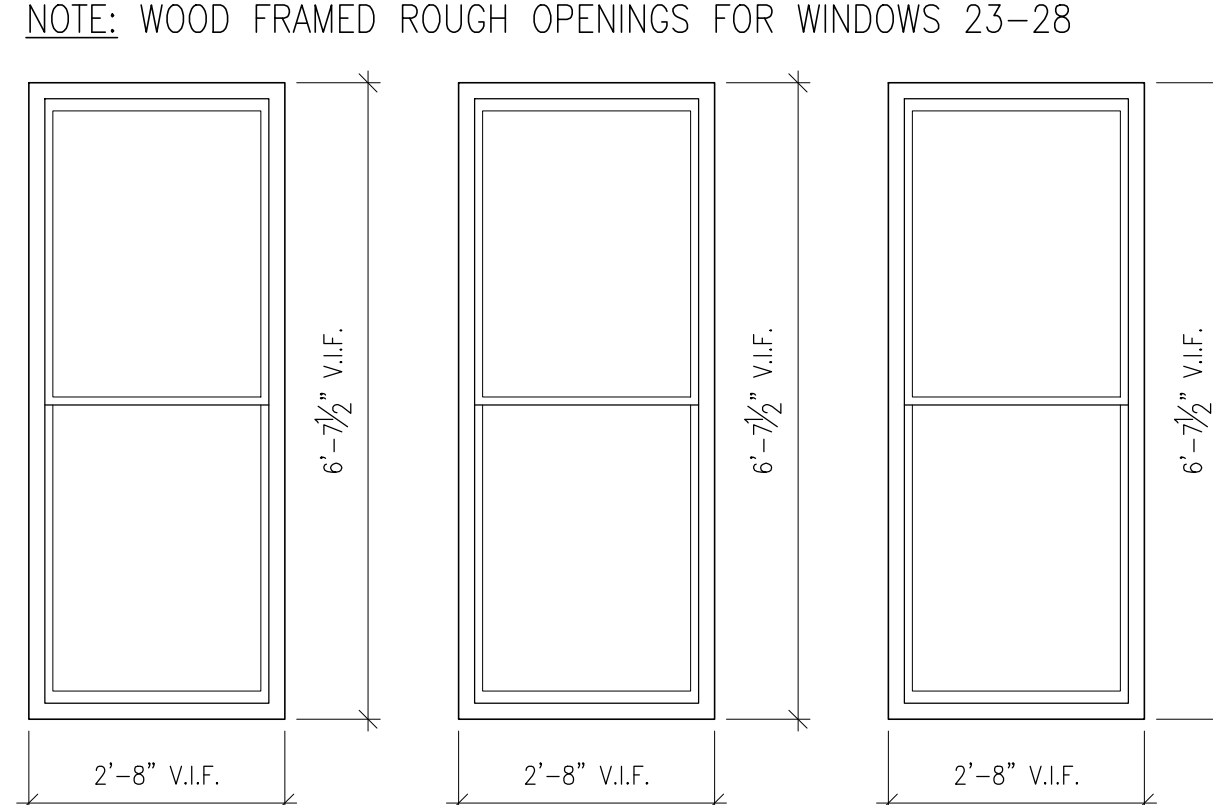
20
1/2" = 1'-0"



21
1/2" = 1'-0"



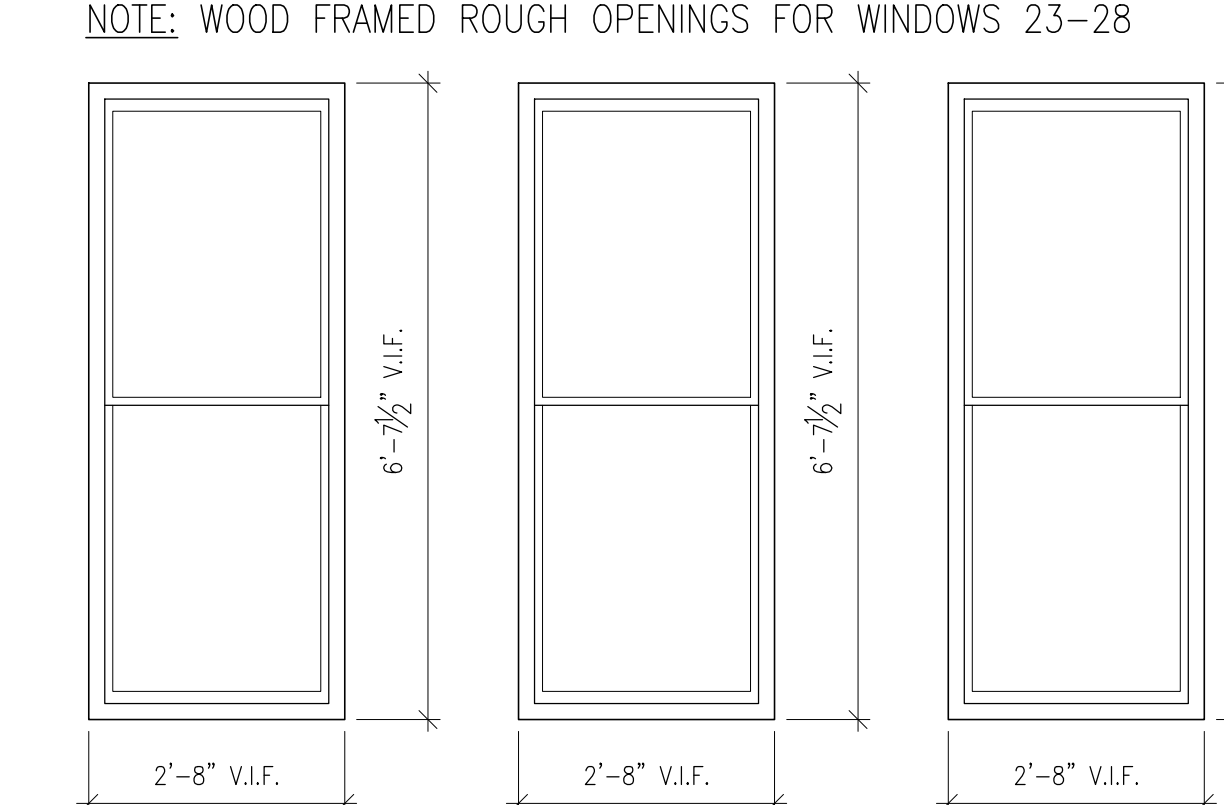
22 REHABILITATE EXIST WINDOW
1/2" = 1'-0"



23
1/2" = 1'-0"

24
1/2" = 1'-0"

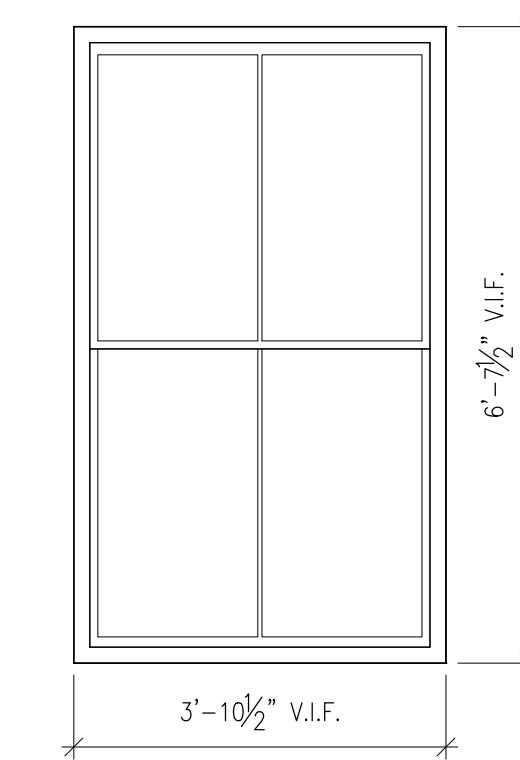
25
1/2" = 1'-0"



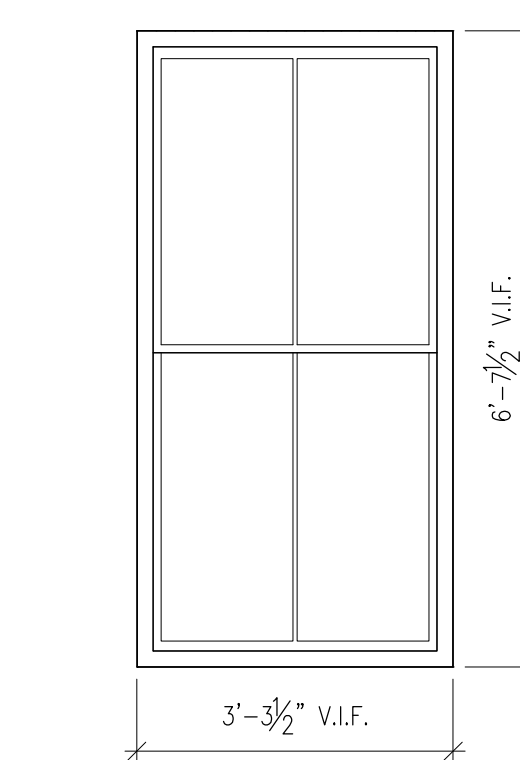
26
1/2" = 1'-0"

27
1/2" = 1'-0"

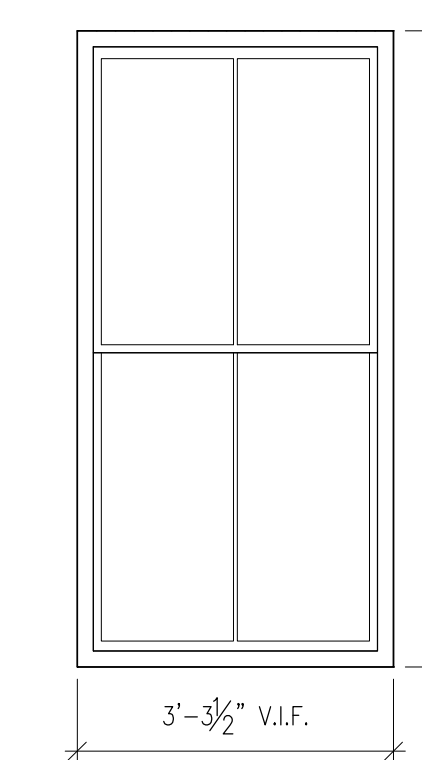
28
1/2" = 1'-0"



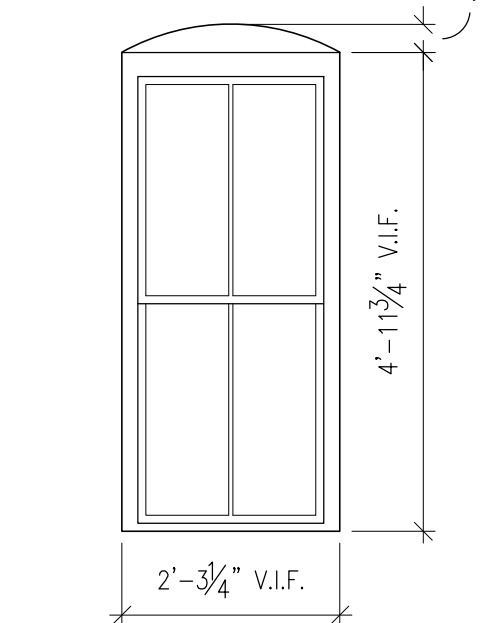
29
1/2" = 1'-0"



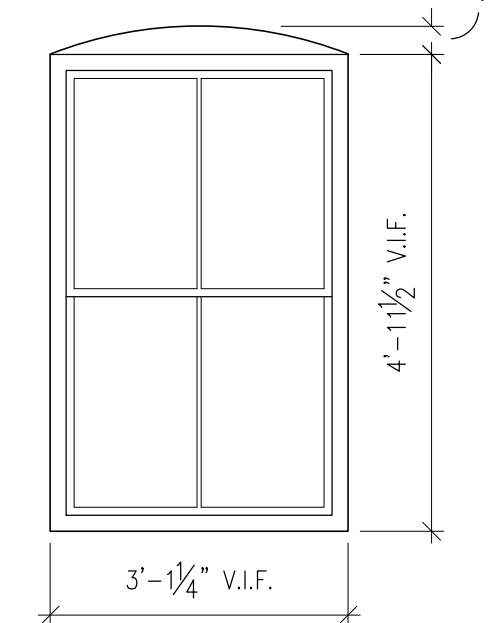
30
1/2" = 1'-0"



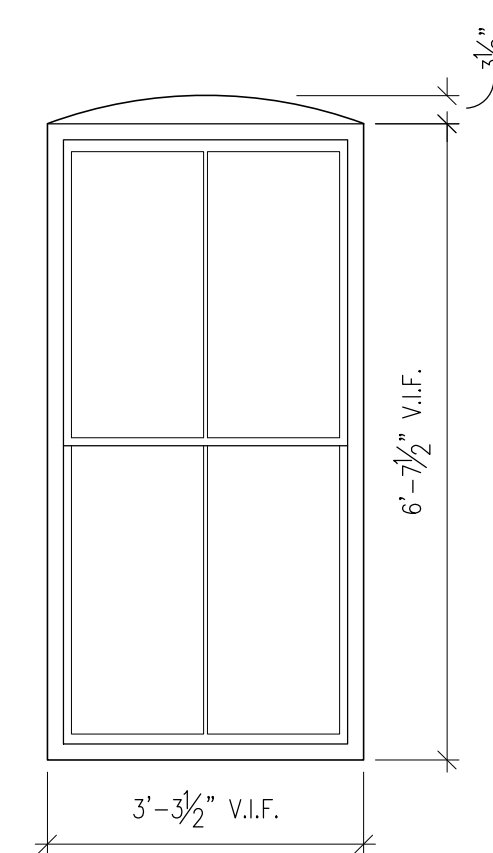
31
1/2" = 1'-0"



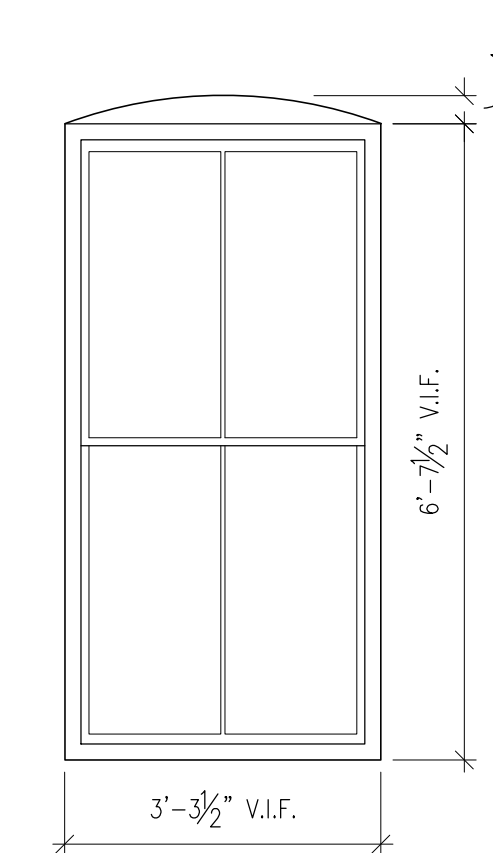
32
1/2" = 1'-0"



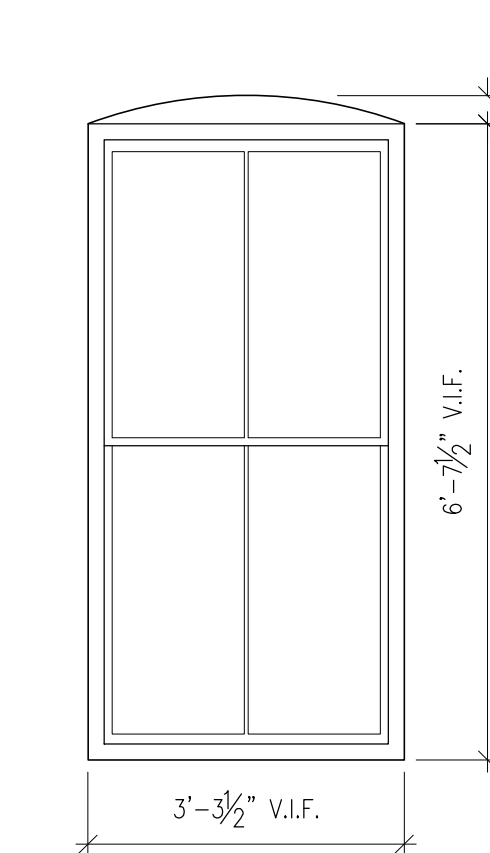
33
1/2" = 1'-0"



34
1/2" = 1'-0"



35
1/2" = 1'-0"



36
1/2" = 1'-0"

660-662 CONGRESS STREET

PORTLAND, MAINE

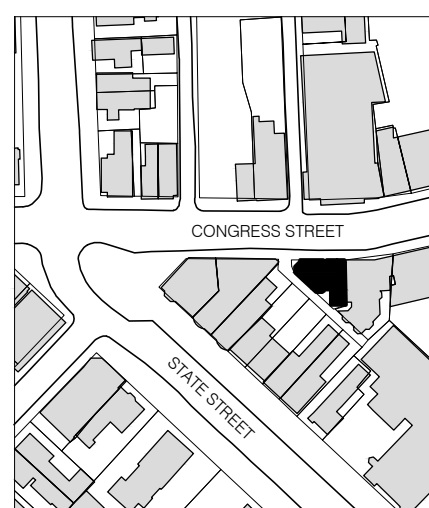
ARCHITECT:
PRESENT ARCHITECTURE PLLC
66 WEST BROADWAY, SUITE 306
NEW YORK, NY, 10007
T: (207) 449-9513

CONTRACTOR:
BAYHILL BUILDING & DESIGN
P.O. BOX 178
SOUTH FREEPORT, ME 04078
T: (207) 865-9351

STRUCTURAL ENGINEER:
ENGINEERING DESIGN PROFESSIONALS
P.O. BOX 575
FREEPORT, ME 04032
T: (207) 865-9505

OWNER:
A.K. LONGFELLOW LLC
660 CONGRESS STREET
PORTLAND, ME 04101

NO.	DATE	ISSUE
4	7/18/2014	PHASE 2 PERMIT ISSUE
3	1/15/2014	FIRE MARSHAL ISSUE
2	5/15/2013	PHASE 1 PERMIT ISSUE
1	3/28/2013	HPCA SET
NO.	DATE	ISSUE



NTS



B-SCAN:

DWG. CONTENTS:
WINDOW TYPES

DATE: September 5, 2014
SCALE: 1/2" = 1'-0"
DWG. BY:
PROJECT NO.: 008

DWG. NO.: **A-605**

SHEET NO.: