

**660-662
CONGRESS
STREET**

PORTLAND, MAINE

ARCHITECT:
PRESENT ARCHITECTURE PLLC
66 WEST BROADWAY, SUITE 306
NEW YORK, NY 10007
T: (207) 449-8513

CONTRACTOR:
BAYHILL BUILDING & DESIGN
P.O. BOX 178
SOUTH FREEPORT, ME 04078
T: (207) 865-9351

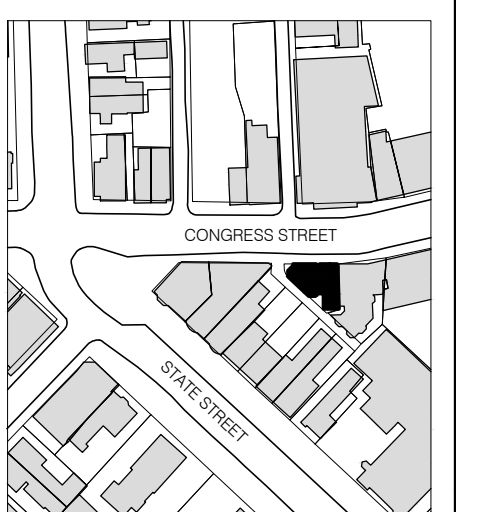
STRUCTURAL ENGINEER:
**ENGINEERING DESIGN
PROFESSIONALS**

P.O. BOX 575
FREEPORT, ME 04032
T: (207) 865-9505

OWNER:
A.K. LONGFELLOW LLC

660 CONGRESS STREET
PORTLAND, ME 04101

| NO. | DATE | ISSUE |
|-----|-----------|----------------------|
| 4 | 7/18/2014 | PHASE 2 PERMIT ISSUE |
| 3 | 1/15/2014 | FIRE MARSHAL ISSUE |
| 2 | 5/15/2013 | PHASE 1 PERMIT ISSUE |
| 1 | 3/28/2013 | HPCA SET |



NTS



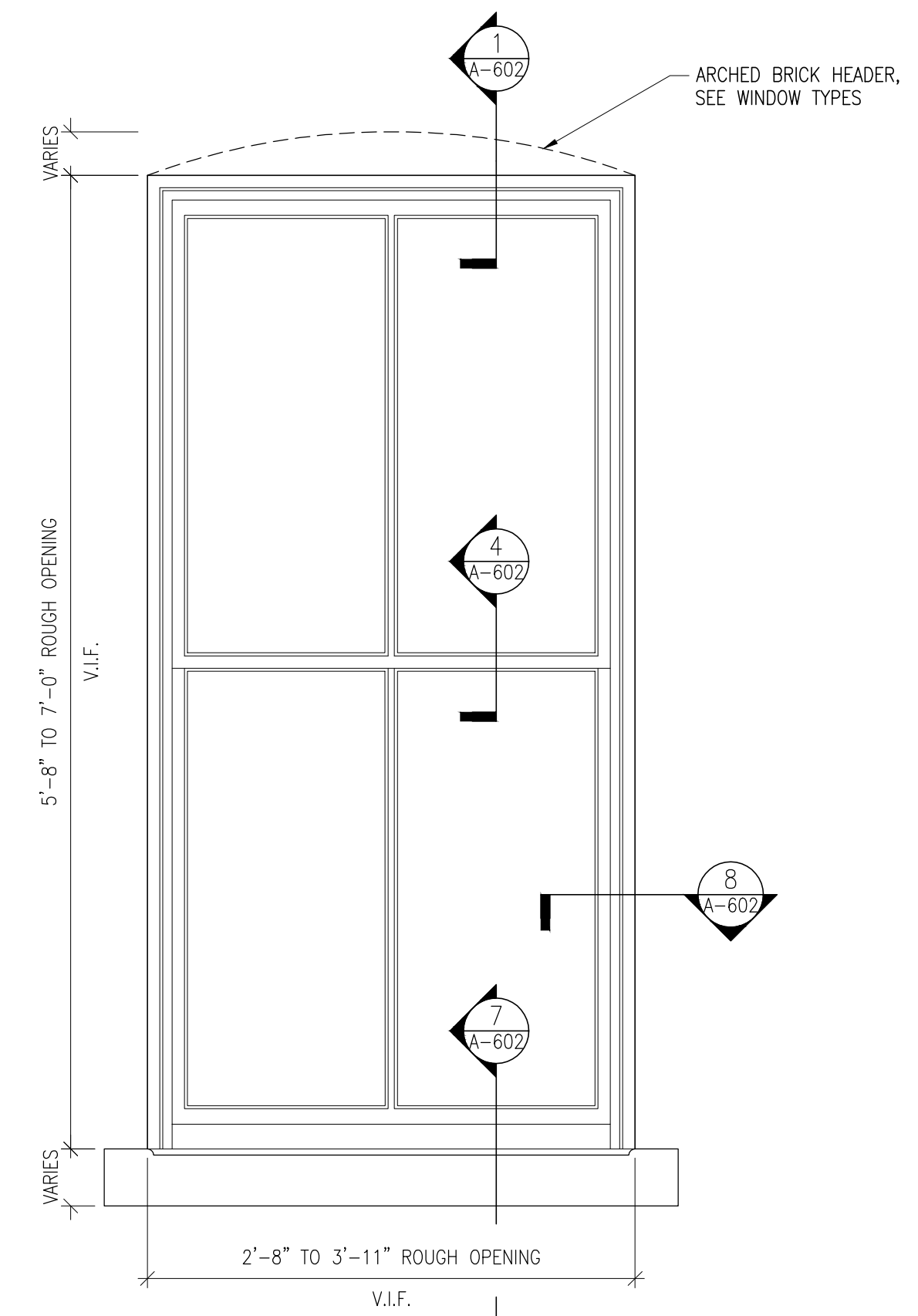
B-SCAN:

DWG. CONTENTS:
WINDOW DETAILS

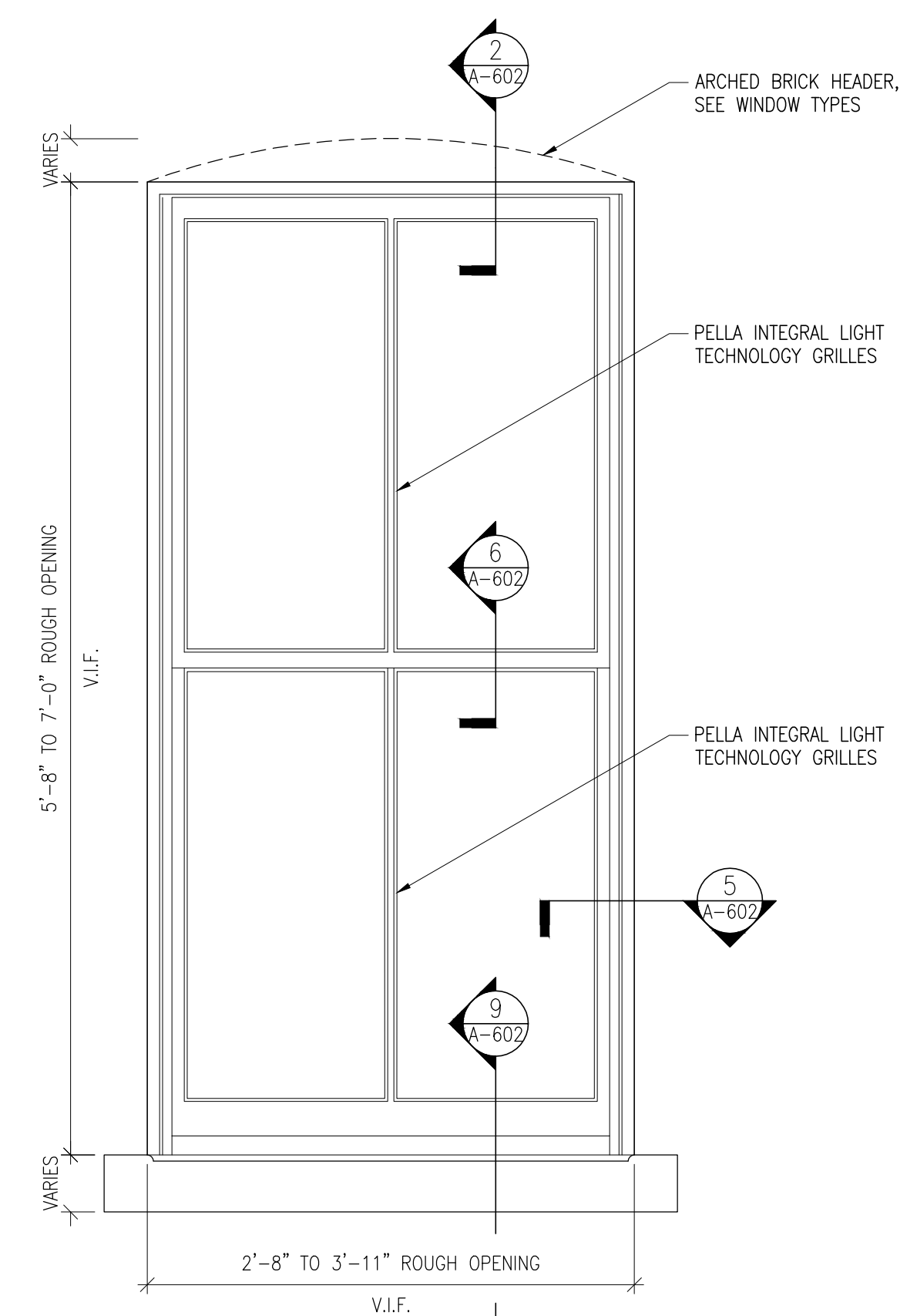
DATE: September 5, 2014
SCALE: AS NOTED
DWG. BY:
PROJECT NO.: 008

DWG. NO.: **A-604**

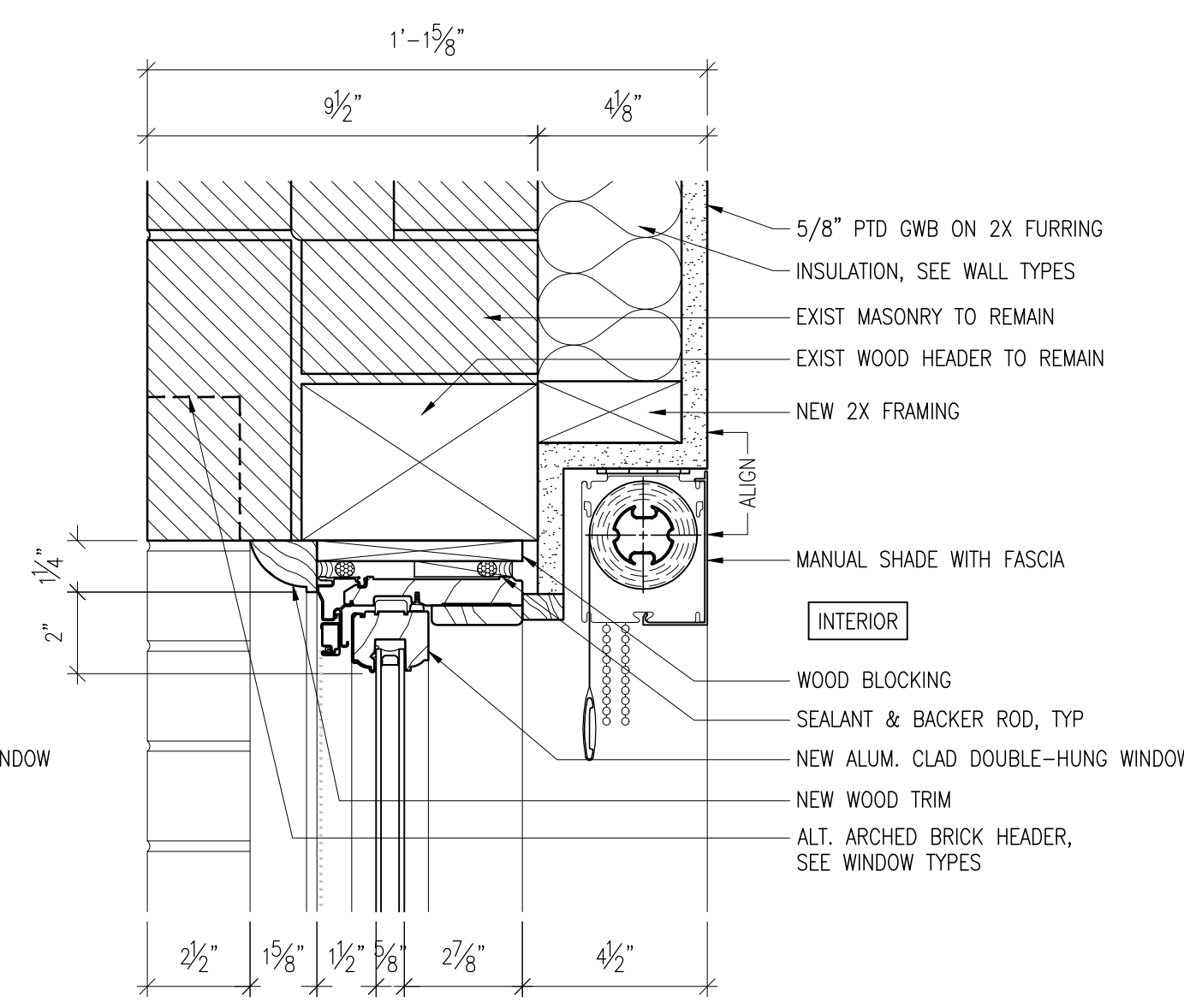
SHEET NO.:



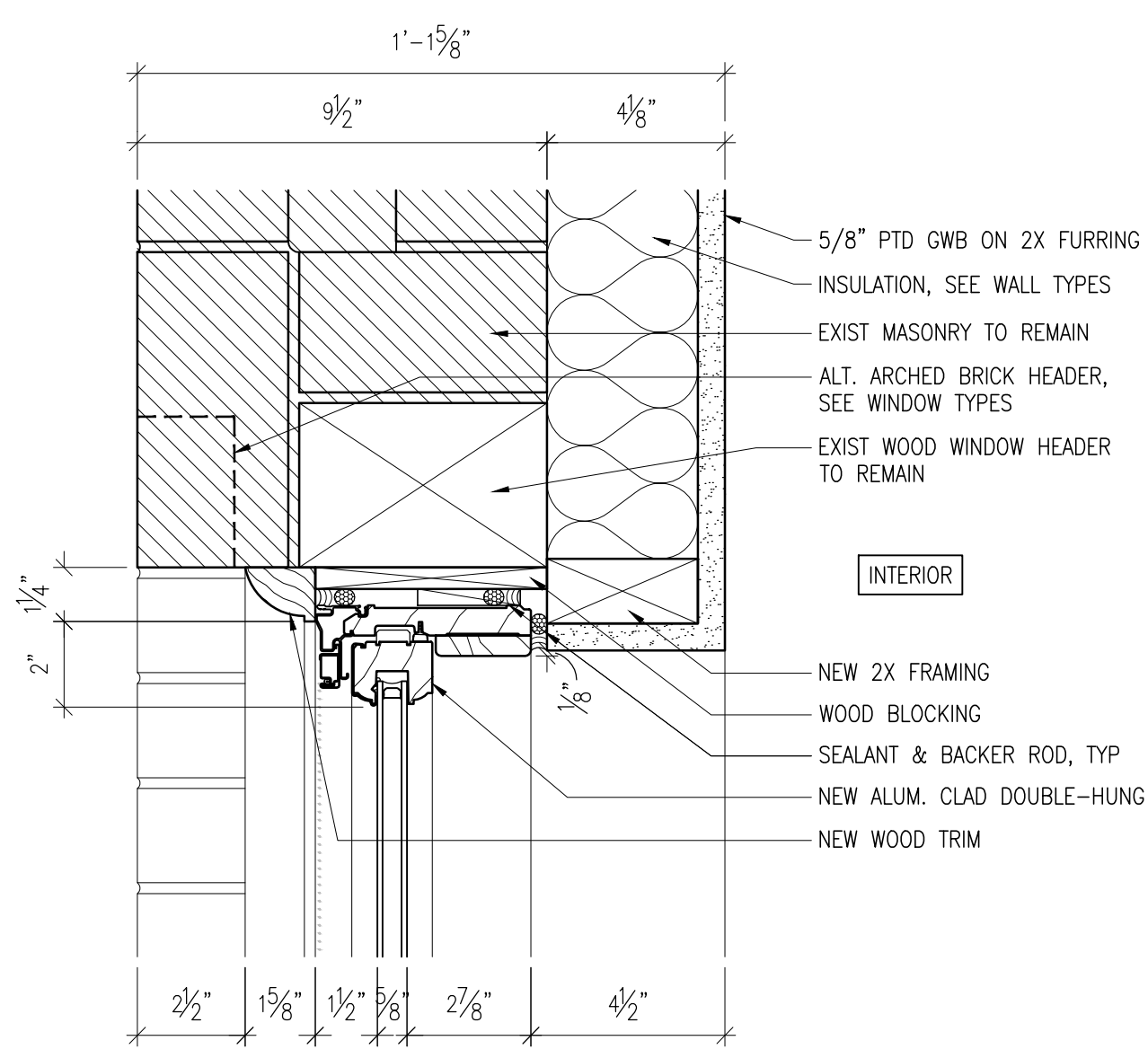
4 TYPICAL EXISTING WINDOW ELEVATION
A-604 1" = 1'-0"



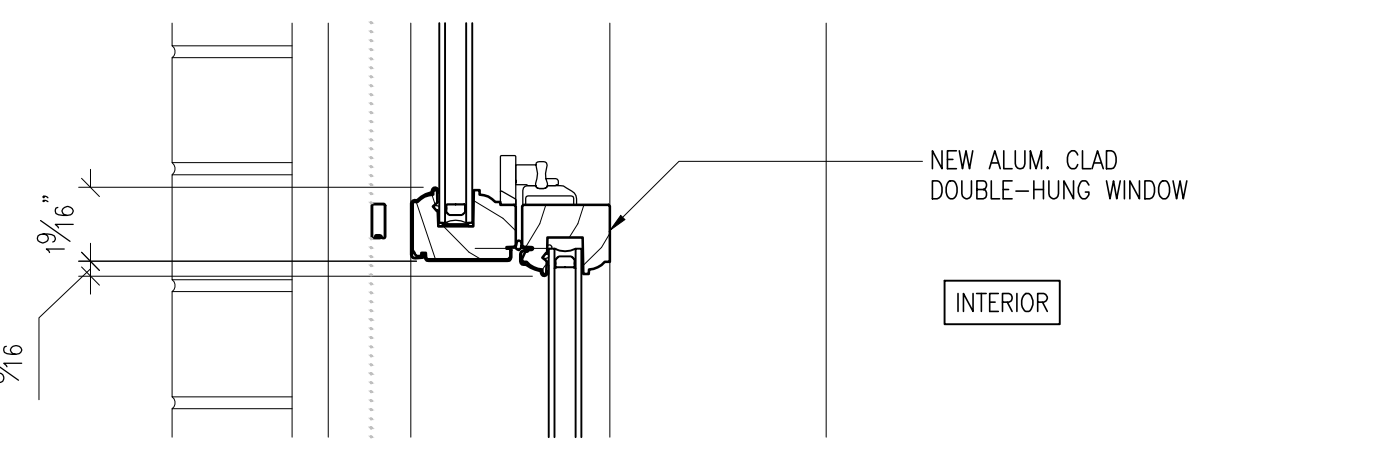
10 TYPICAL PROPOSED WINDOW ELEVATION
A-604 1" = 1'-0"



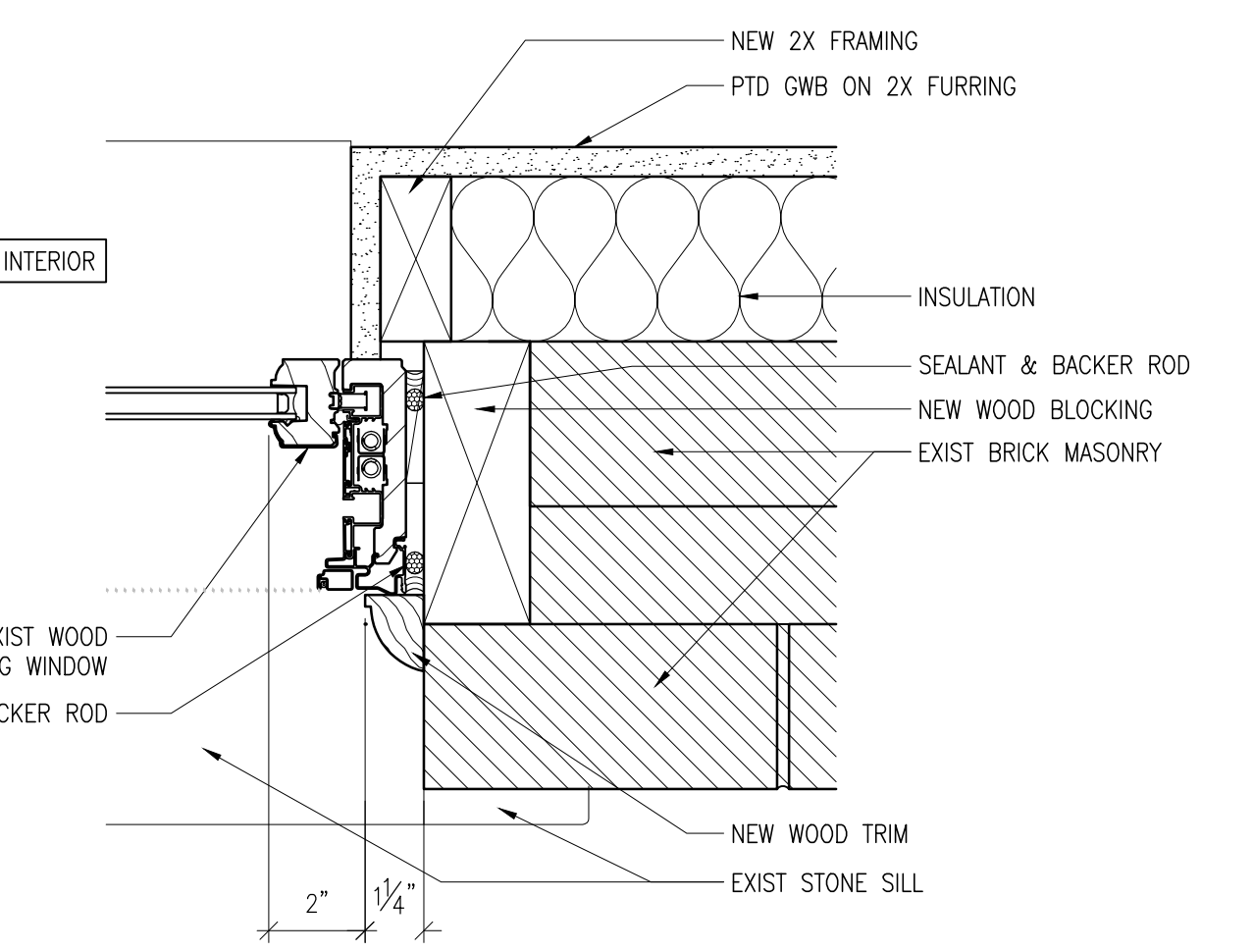
3 TYP WINDOW DTL AT HEAD W/ SHADE - PROPOSED
A-604 3" = 1'-0"



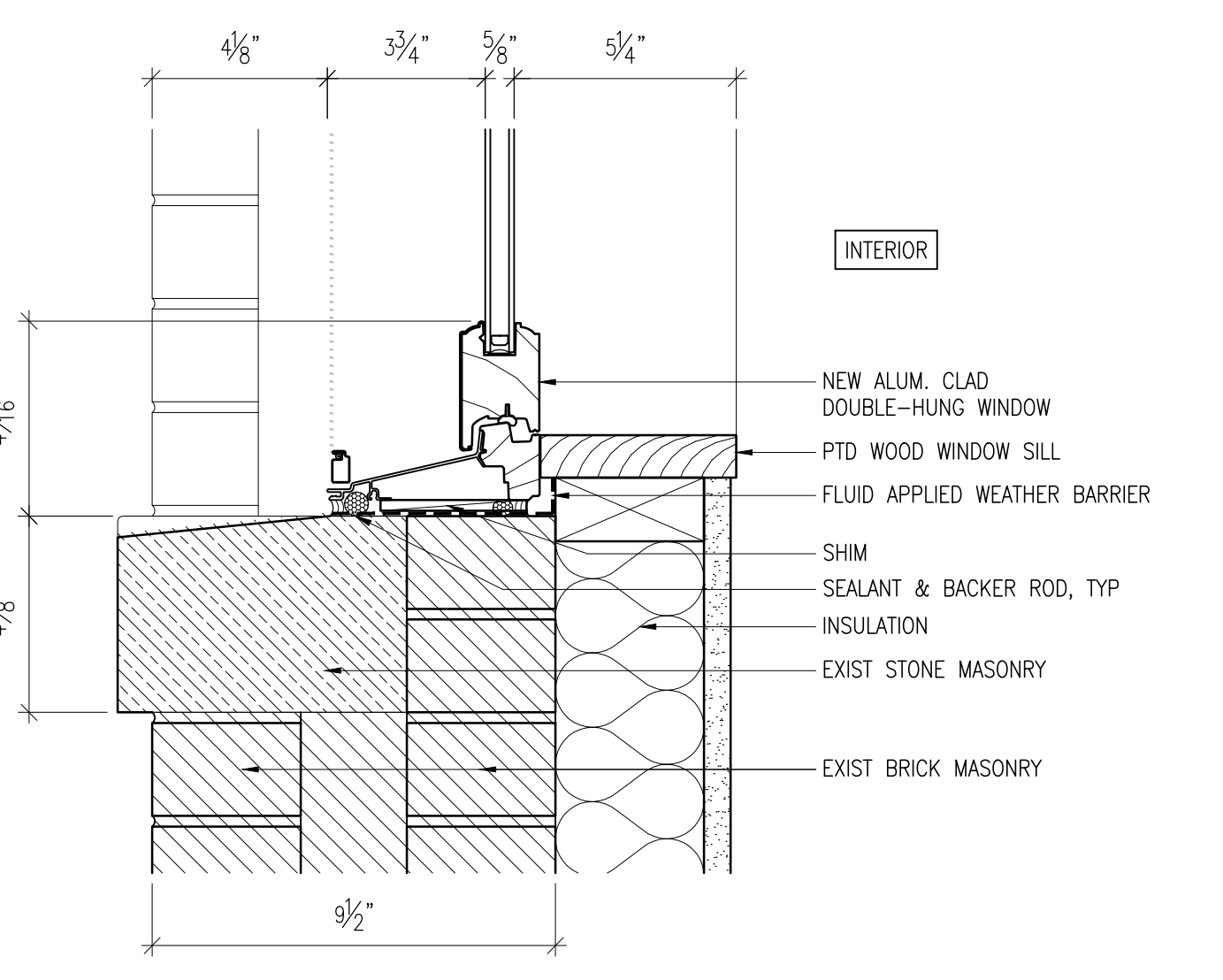
2 TYP WINDOW DTL AT HEAD - PROPOSED
A-604 3" = 1'-0"



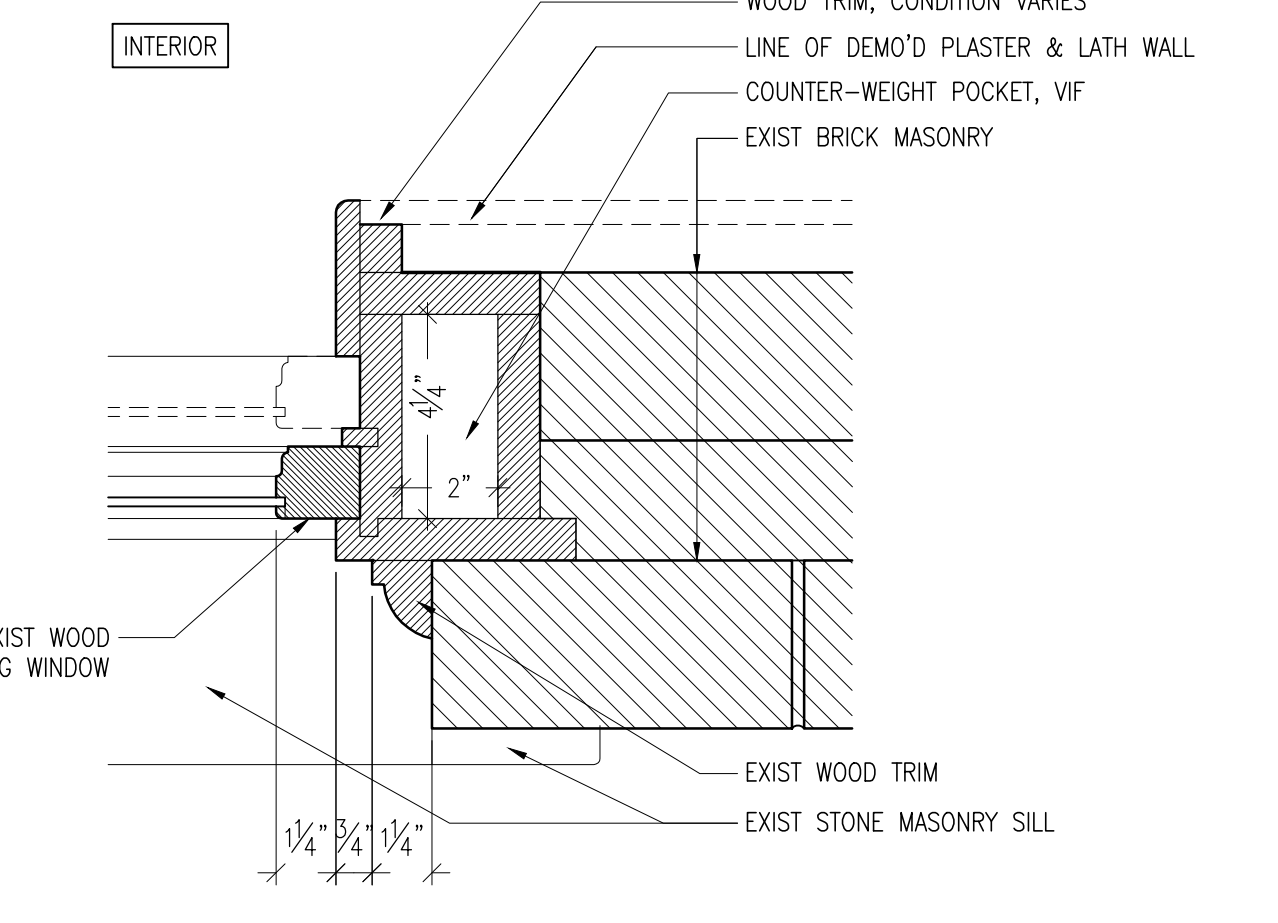
6 TYP WINDOW DTL AT HORIZ. MULLION - PROPOSED
A-604 3" = 1'-0"



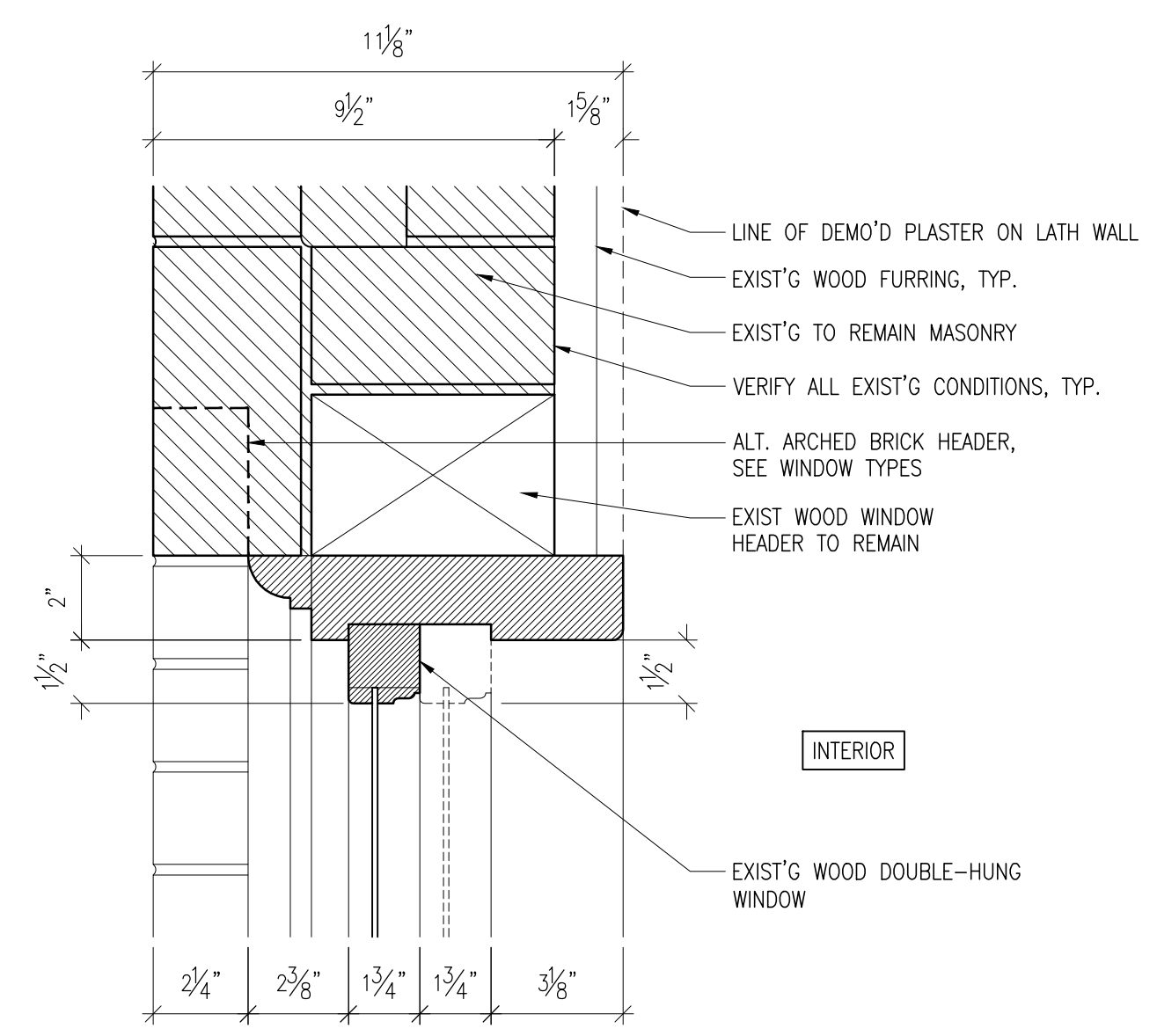
5 TYP WINDOW DTL AT JAMB - PROPOSED
A-604 3" = 1'-0"



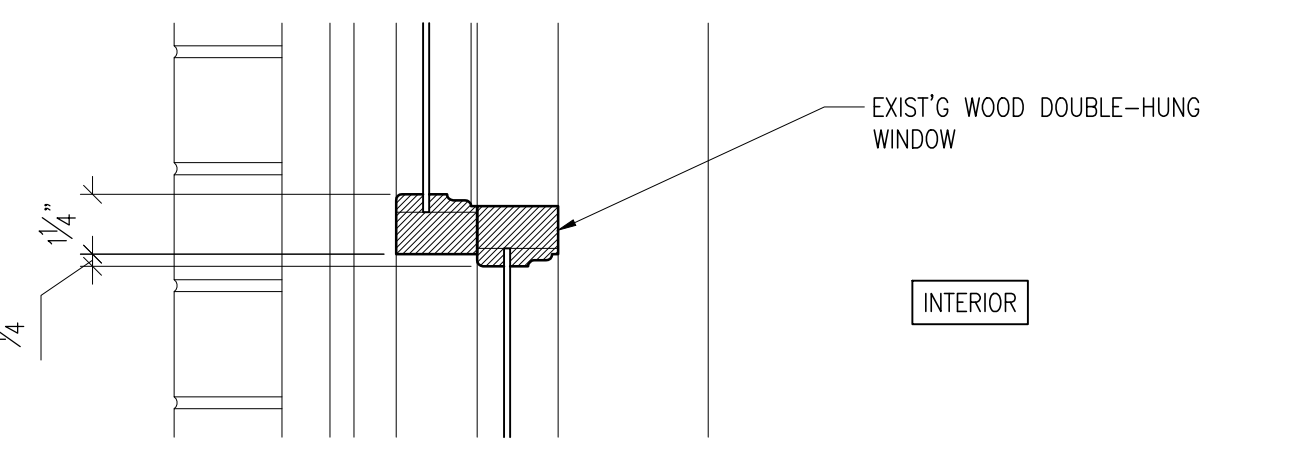
9 TYP WINDOW DTL AT SILL - PROPOSED
A-604 3" = 1'-0"



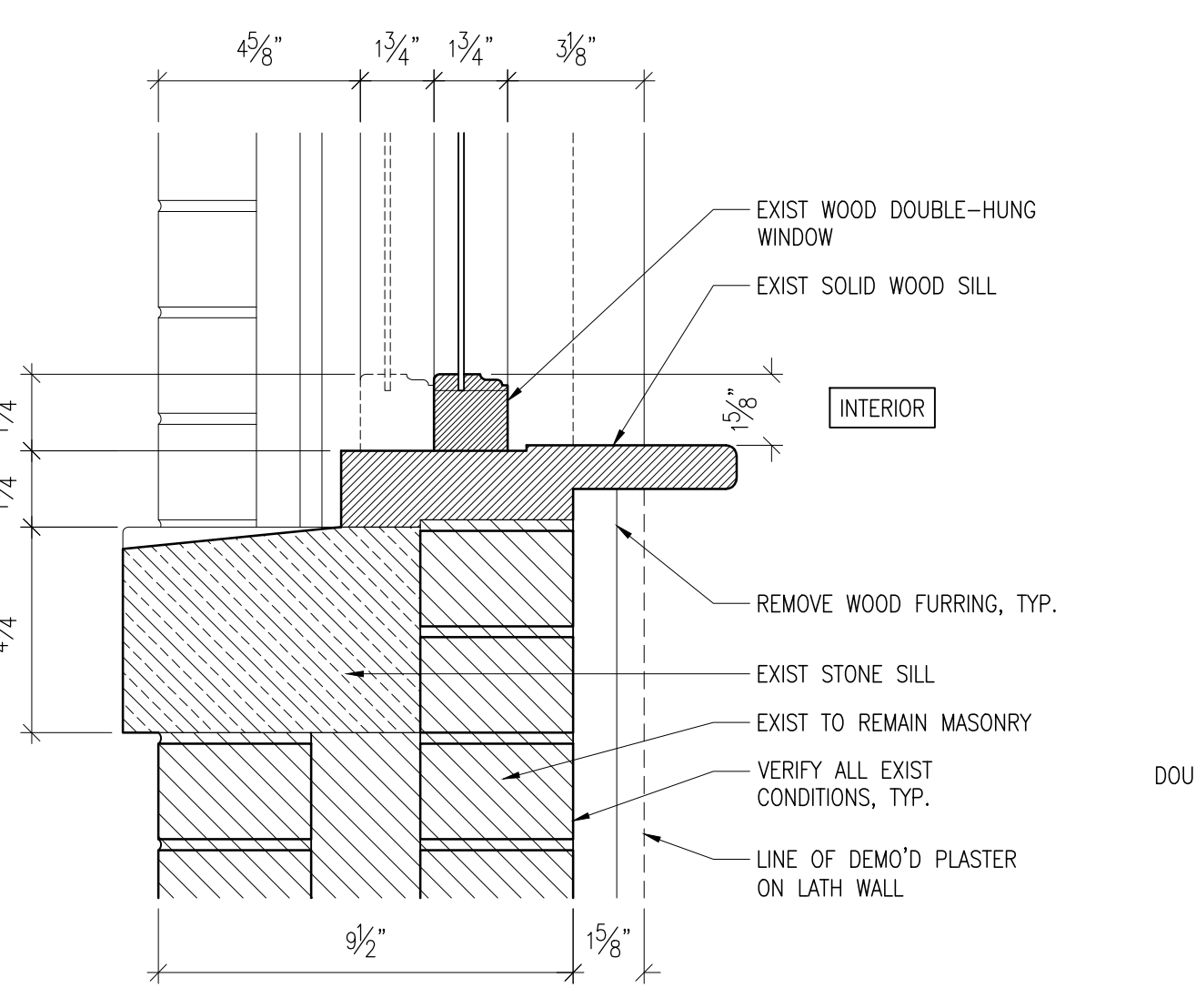
8 TYP WINDOW DTL AT JAMB - EXISTING
A-604 3" = 1'-0"



1 TYP WINDOW DTL AT HEAD - EXISTING
A-604 3" = 1'-0"



4 TYP WINDOW DTL AT HORIZ. MULLION - EXISTING
A-604 3" = 1'-0"



7 TYP WINDOW DTL AT SILL - EXISTING
A-604 3" = 1'-0"