

**660-662  
CONGRESS  
STREET**

PORTLAND, MAINE

ARCHITECT:  
**PRESENT ARCHITECTURE PLLC**

66 WEST BROADWAY, SUITE 306  
NEW YORK, NY 10007  
T: (207) 449-9515

CONTRACTOR:  
**BAYHILL BUILDING & DESIGN**

P.O. BOX 178  
SOUTH FREEPORT, ME 04078  
T: (207) 865-9351

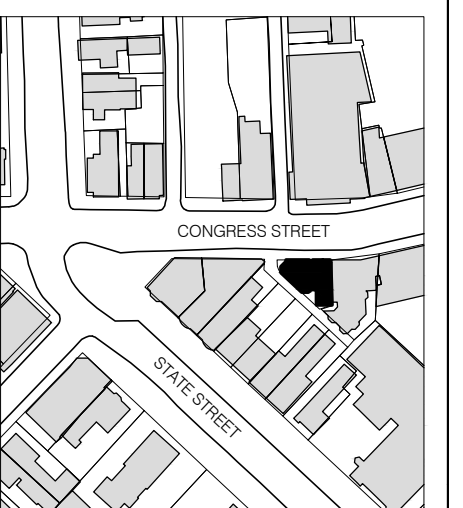
STRUCTURAL ENGINEER:  
**ENGINEERING DESIGN  
PROFESSIONALS**

P.O. BOX 575  
FREEPORT, ME 04032  
T: (207) 865-9505

OWNER:  
**A.K. LONGFELLOW LLC**

660 CONGRESS STREET  
PORTLAND, ME 04101

NO.	DATE	ISSUE
4	7/18/2014	PHASE 2 PERMIT ISSUE
3	1/15/2014	FIRE MARSHAL ISSUE
2	5/15/2013	PHASE 1 PERMIT ISSUE
1	3/28/2013	HPCA SET



NTS  
N



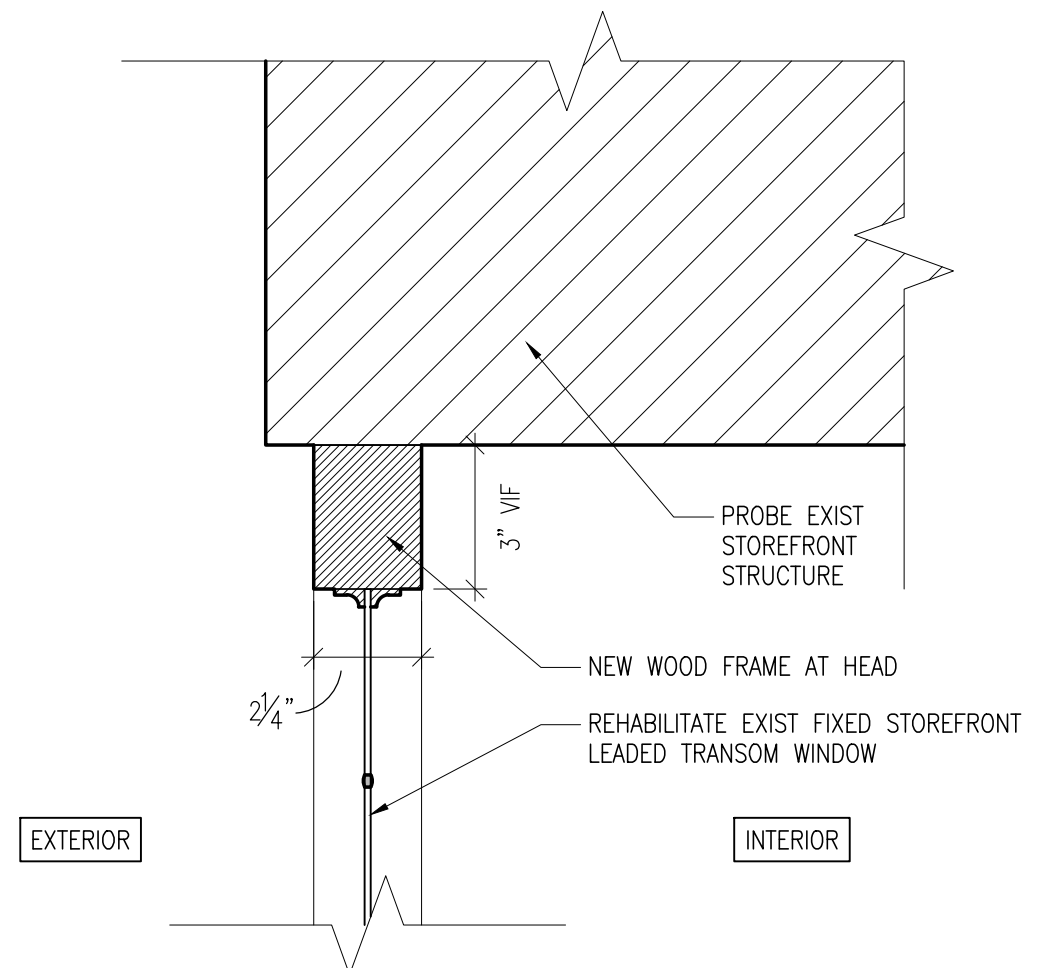
B-SCAN:

DWG. CONTENTS:  
**STOREFRONT  
WINDOW DETAILS**

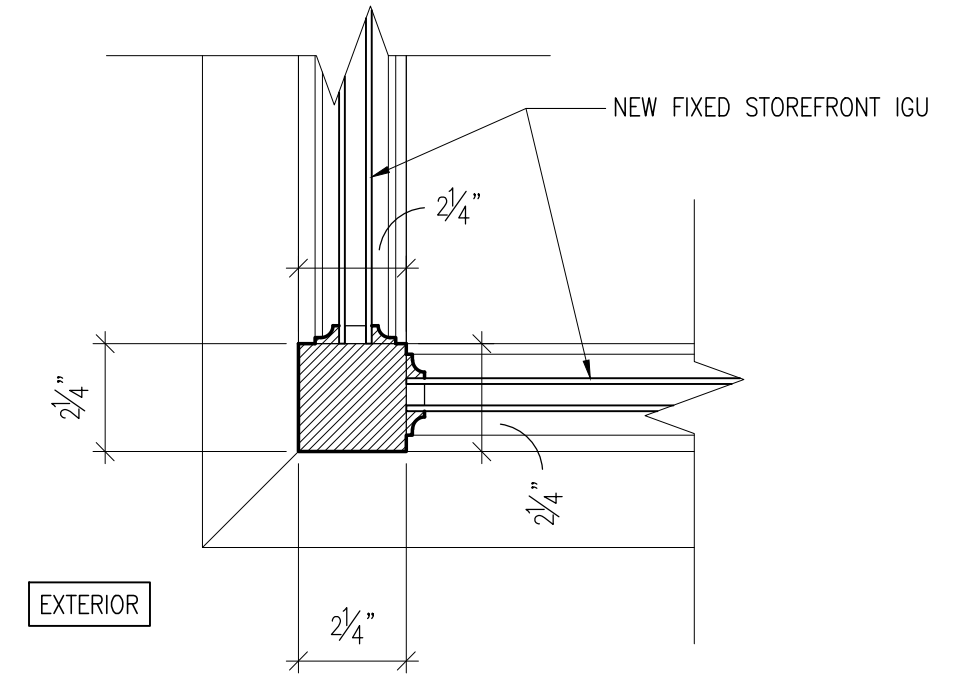
DATE: September 5, 2014  
SCALE: 3" = 1'-0"  
DWG. BY:  
PROJECT NO.: 008

DWG. NO.: **A-602**

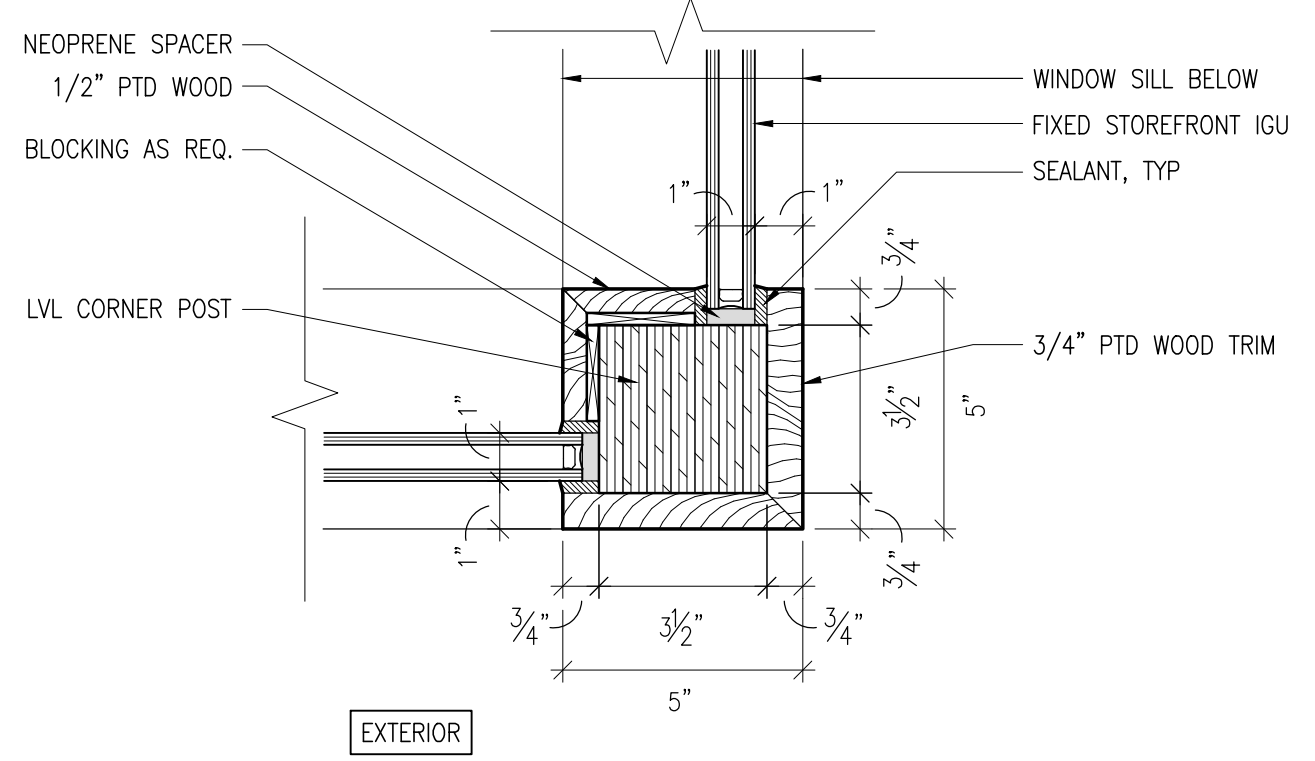
SHEET NO.:



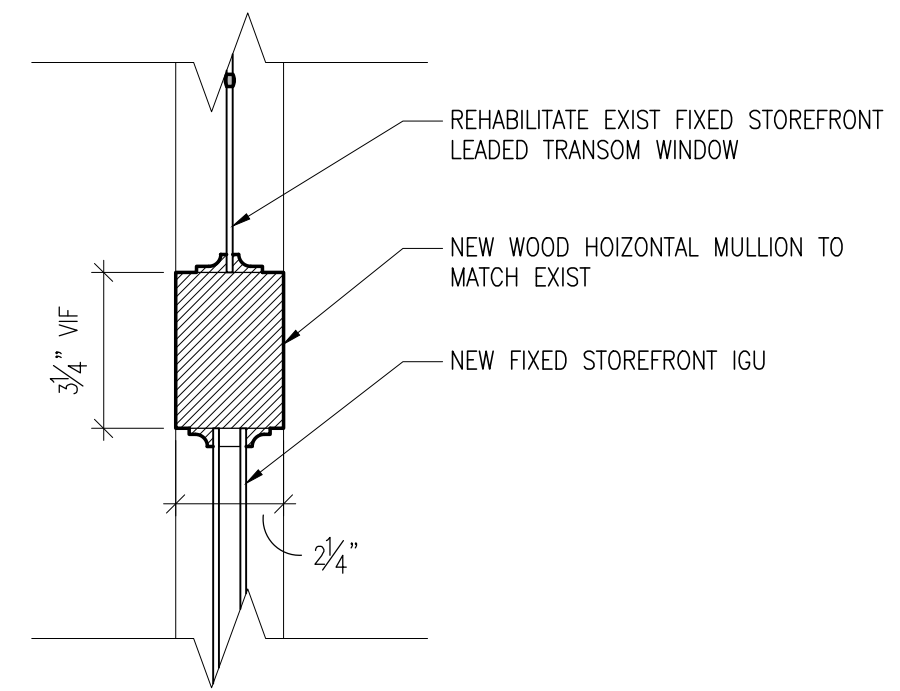
**1 WEST STOREFRONT HEAD-PROPOSED**  
A-602 3" = 1'-0"



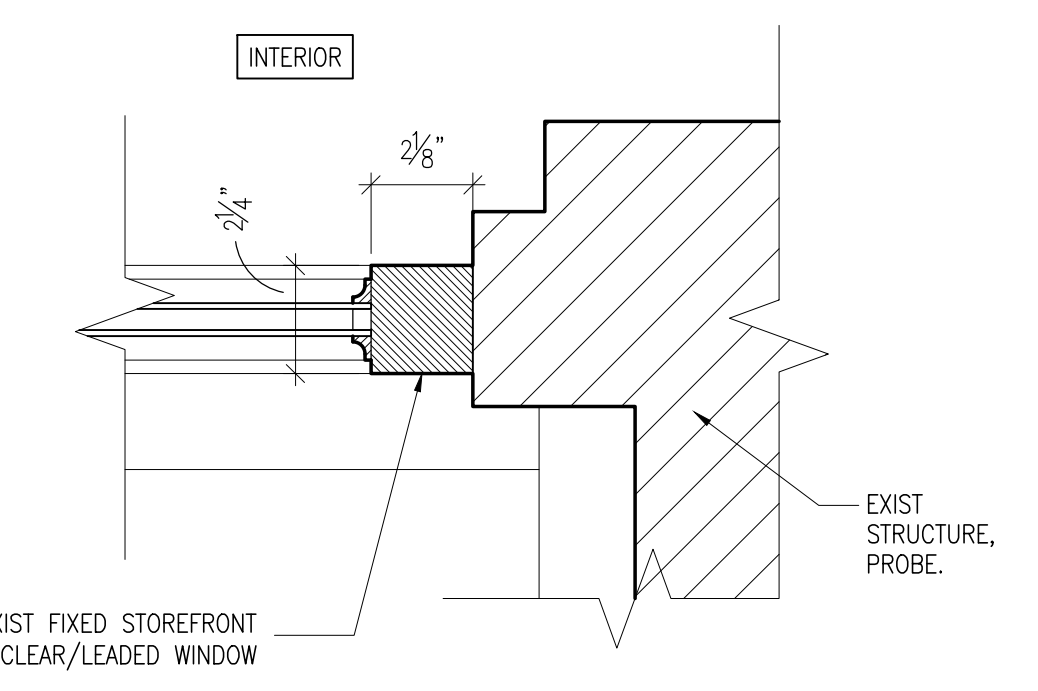
**2 WEST STOREFRONT PLAN DTL @ CORNER-PROPOSED**  
A-602 3" = 1'-0"



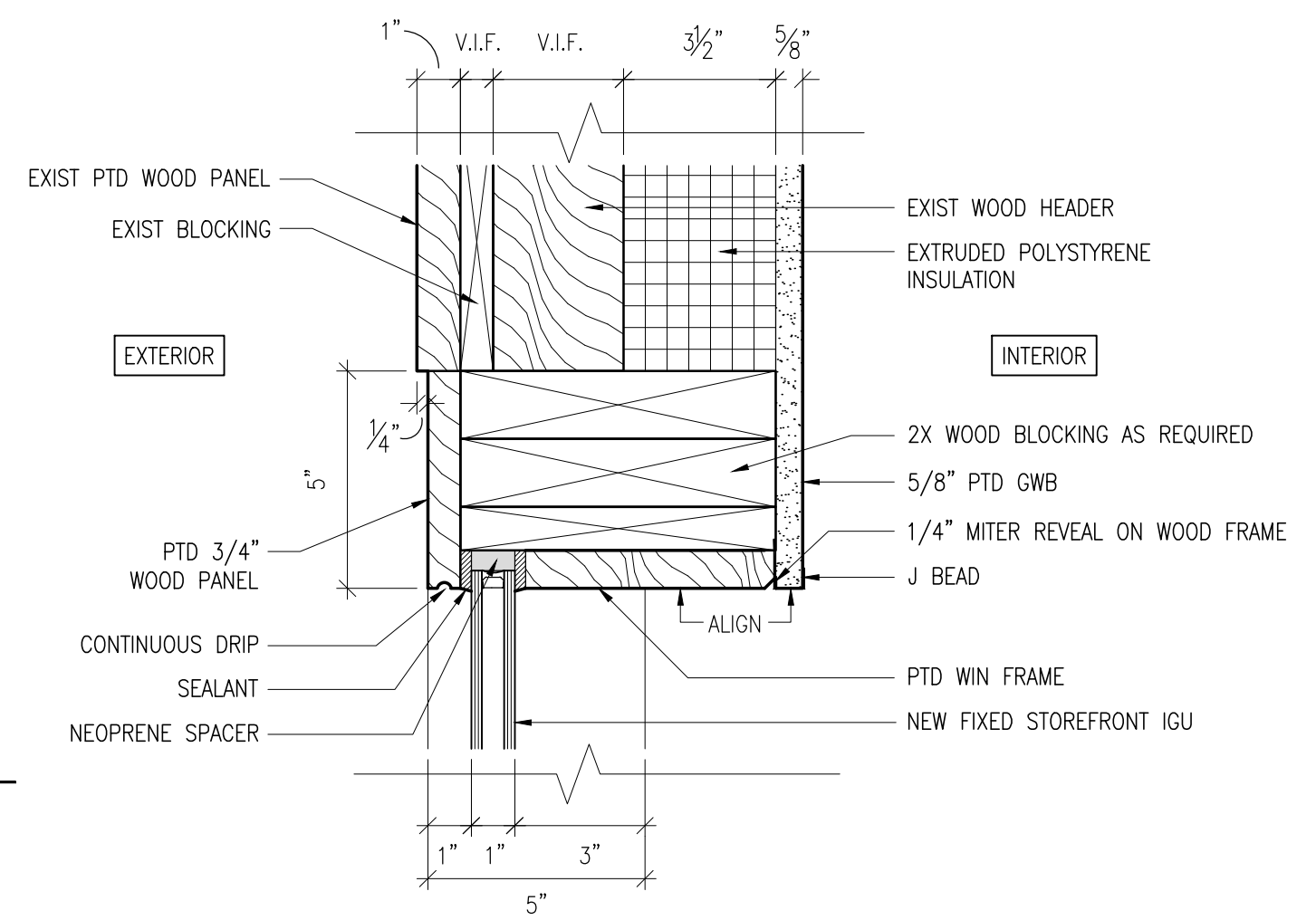
**3 EAST STOREFRONT PLAN DTL @ CORNER-PROPOSED**  
A-602 3" = 1'-0"



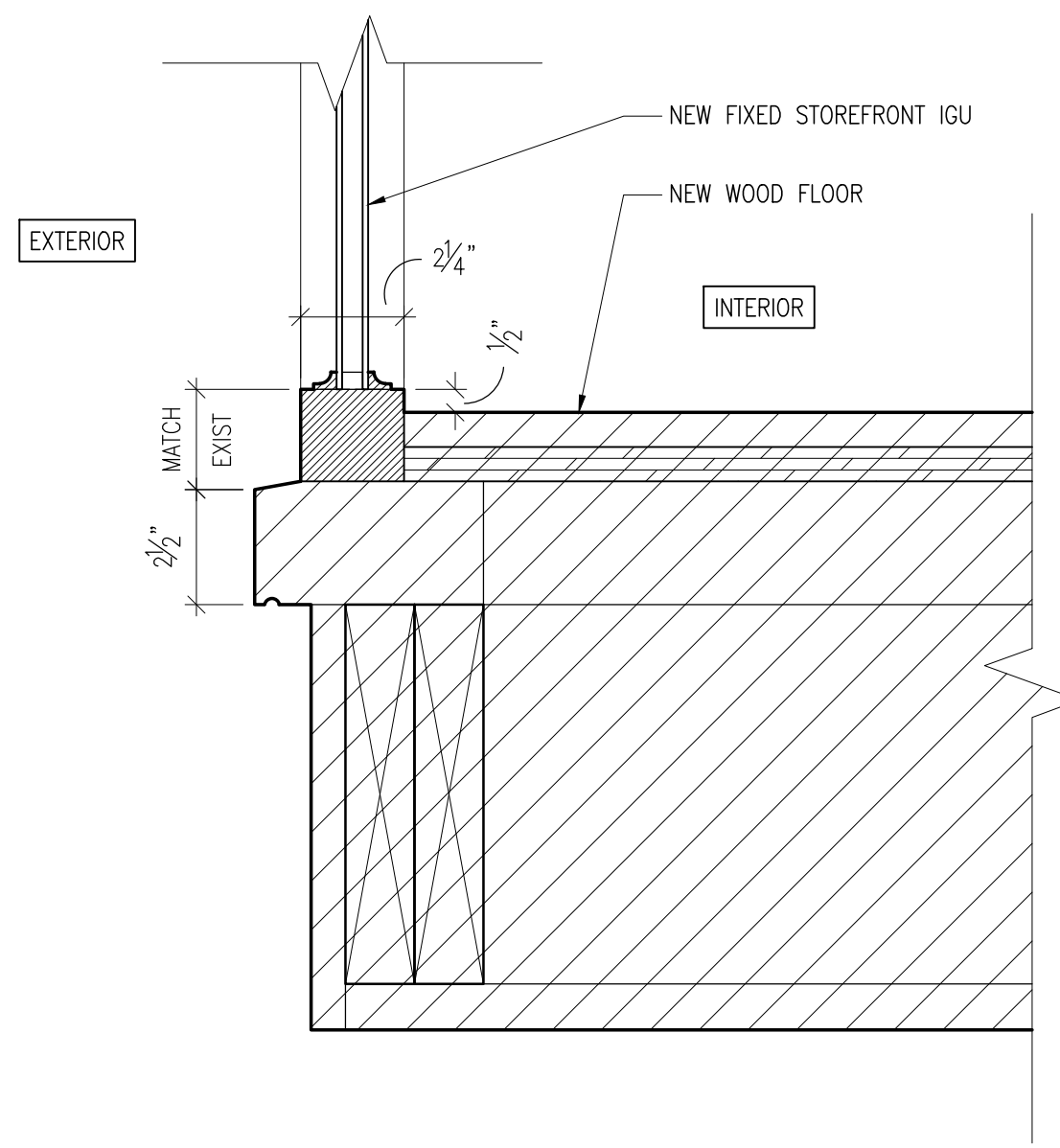
**4 WEST STOREFRONT HORIZ. MULLION-PROPOSED**  
A-602 3" = 1'-0"



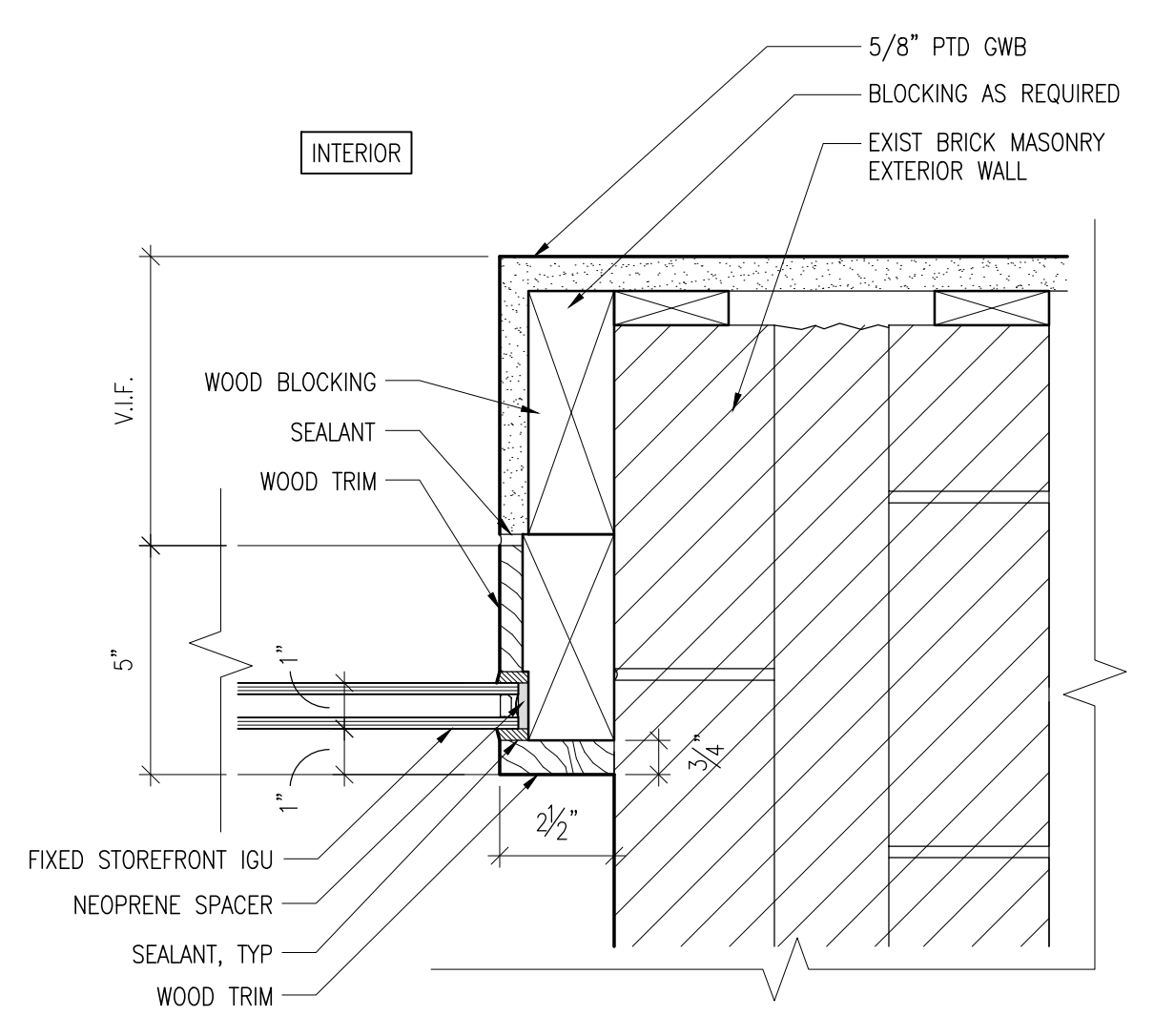
**5 WEST STOREFRONT PLAN DTL @ JAMB-PROPOSED**  
A-602 3" = 1'-0"



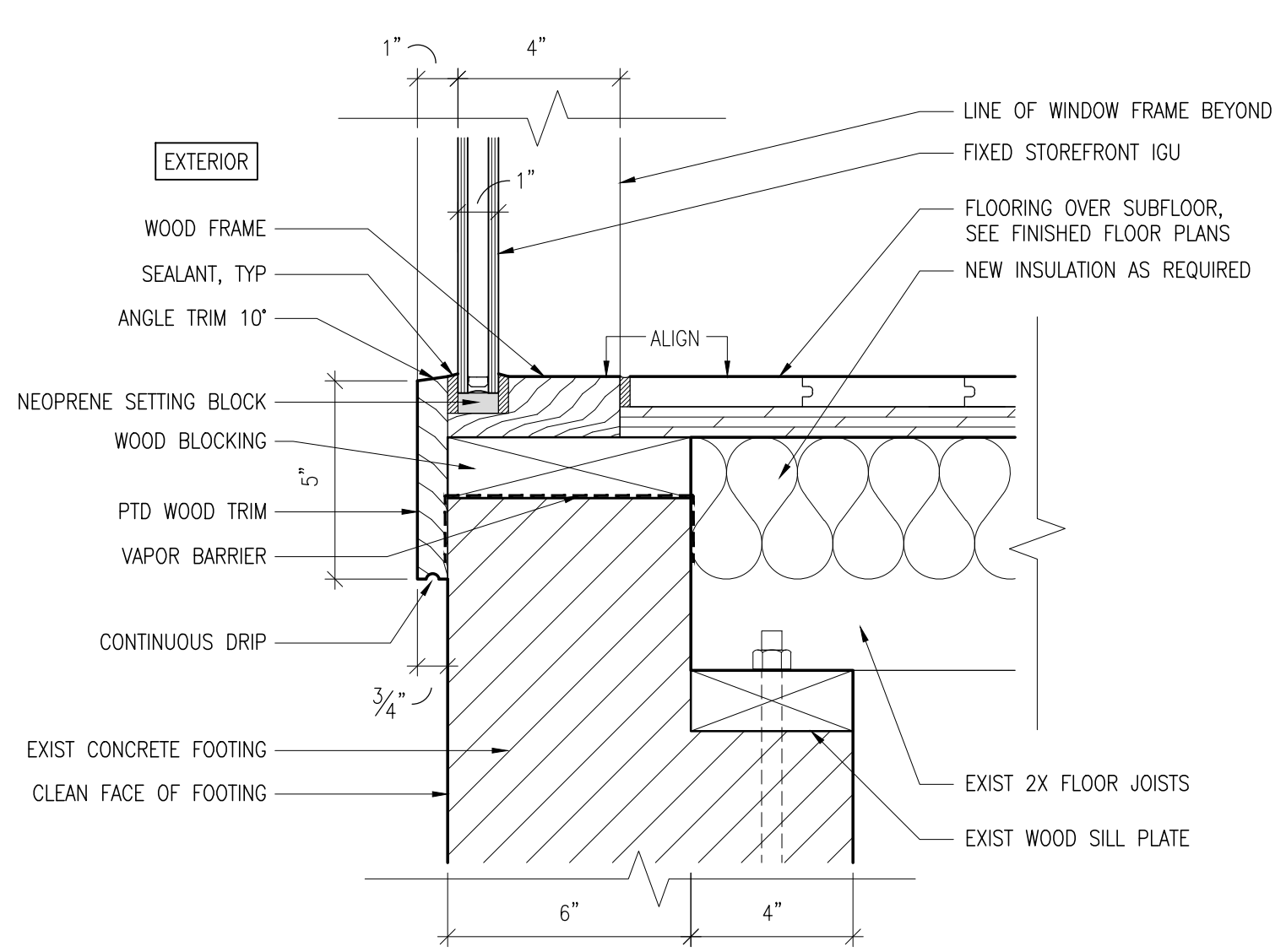
**6 EAST STOREFRONT WD HEAD DTL-PROPOSED**  
A-602 3" = 1'-0"



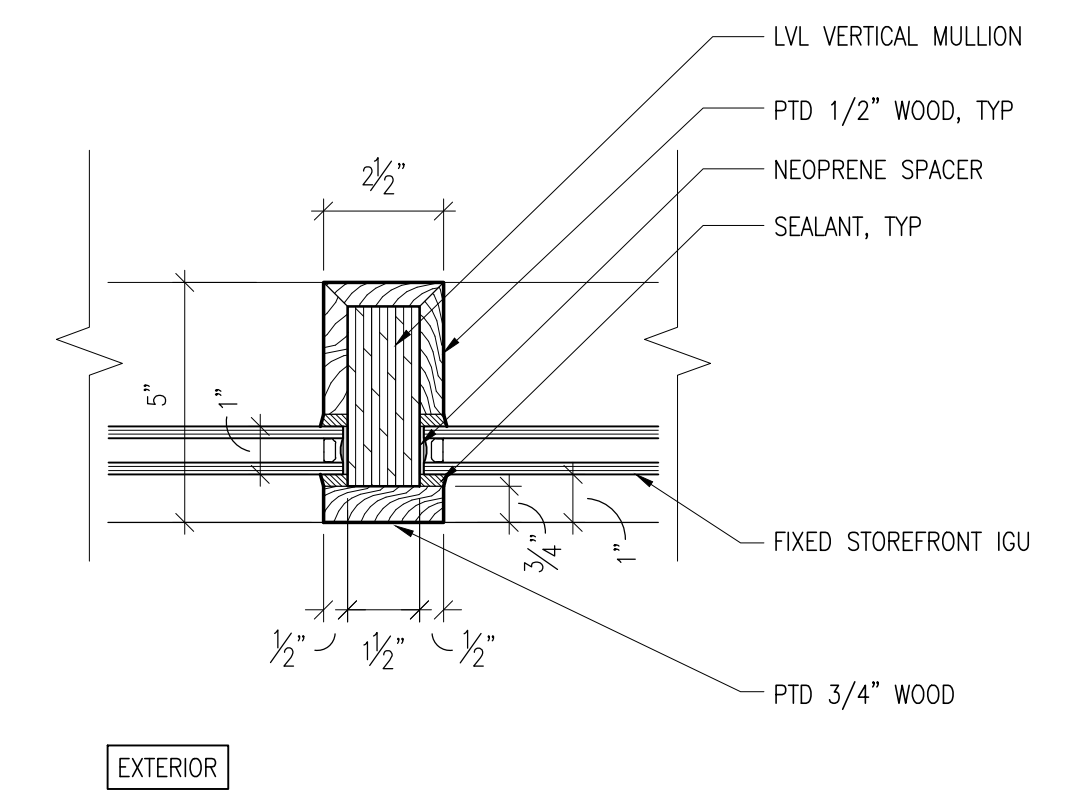
**7 WEST STOREFRONT SILL-PROPOSED**  
A-602 3" = 1'-0"



**8 EAST STOREFRONT WD JAMB DTL-PROPOSED**  
A-602 3" = 1'-0"



**9 EAST STOREFRONT WD SILL DTL-PROPOSED**  
A-602 3" = 1'-0"



**10 EAST STOREFRONT WD VERT. MULLION DTL-PROPOSED**  
A-602 3" = 1'-0"