

DOOR SCHEDULE												
DOOR NO.	TYPE	MATERIAL	FINISH	WIDTH	HEIGHT	THICKNESS	HARDWARE	HEAD	JAMB	SILL	RATING	REMARKS
B01	E	HOLLOW MTL	PT-1	3'-0"	6'-8"	1 3/4"	HW-4	6/A-600	6/A-600	11/A-600	90 MIN	--
B01A	--	SOLID CORE WD	PT-1	3'-0"	6'-8"	1 3/4"	HW-1	--	--	--	--	--
B03	F	SOLID CORE WD	PT-1	3'-0"	6'-8"	1 3/4"	HW-1	3/A-600	8/A-600	--	--	--
B04	E	INSUL. MTL	PT-1	V.I.F.	V.I.F.	1 3/4"	HW-3	--	--	--	--	--
B05A	F	SOLID CORE WD	PT-1	3'-0"	6'-8"	1 3/4"	HW-1	3/A-600	8/A-600	--	--	ADA COMPLIANT
B05B	F	SOLID CORE WD	PT-1	2'-8"	6'-8"	1 3/4"	T.B.D.	7/A-600	--	--	--	--
B08	E	HOLLOW MTL	PT-1	3'-0"	6'-8"	1 3/4"	HW-4	6/A-600	6/A-600	11/A-600	90 MIN	--
B08A	E	HOLLOW MTL	PT-1	3'-0"	6'-8"	1 3/4"	HW-3	6/A-600	6/A-600	11/A-600	90 MIN	EGRESS DOOR WITH KEYED PUSH PADDLE EXIT ALARM
B08B	E	HOLLOW MTL	PT-1	3'-0"	6'-8"	1 3/4"	HW-4	6/A-600	6/A-600	11/A-600	90 MIN	--
B08C	E	HOLLOW MTL	PT-1	3'-0"	6'-8"	1 3/4"	HW-4	6/A-600	6/A-600	11/A-600	90 MIN	--
B08D	E	HOLLOW MTL	PT-1	3'-0"	V.I.F.	1 3/4"	HW-4	6/A-600	6/A-600	11/A-600	90 MIN	--
B11	G	SOLID CORE WD	PT-1	V.I.F.	6'-8"	1 3/4"	HW-7	2/A-600	7/A-600	12/A-600	--	CLOSET DOOR
101	A	SOLID CORE WD	WD-1	3'-0"	7'-0"	1 3/4"	HW-2	MATCH EXIST	MATCH EXIST	MATCH EXIST	--	--
101A	E	HOLLOW MTL	PT-1	3'-0"	7'-0"	1 3/4"	HW-3	6/A-600	6/A-600	11/A-600	90 MIN	EGRESS DOOR WITH KEYED PUSH PADDLE EXIT ALARM
102	F	SOLID CORE WD	PT-1	3'-0"	7'-0"	1 3/4"	HW-1	3/A-600	8/A-600	--	--	--
103	F	SOLID CORE WD	PT-1	3'-0"	7'-0"	1 3/4"	HW-1	3/A-600	8/A-600	--	--	--
103A	D	SOLID CORE WD	WD-1	3'-0"	7'-0"	1 3/4"	HW-6	MATCH EXIST	MATCH EXIST	MATCH EXIST	--	INTEGRAL TRANSOM
104	B	SOLID WD/GLASS	WD-1	3'-0"	7'-0"	1 3/4"	HW-2	TBD	TBD	TBD	90 MIN	REFURBISH TRANSOM; MATCH EXISTING TRIM & CASING
202	F	SOLID CORE WD	WD-2	3'-0"	7'-0"	1 3/4"	HW-1	3/A-600	8/A-600	--	--	--
202A	H	SOLID CORE WD	PT-1	4'-0"	7'-0"	1 3/4"	HW-7	2/A-600	7/A-600	12/A-600	--	CLOSET DOORS
204	I	SOLID CORE WD	PT-1	2'-8"	7'-0"	1 3/4"	HW-8	4/A-600	--	--	--	SLIDING POCKET DOOR
207	H	SOLID CORE WD	PT-1	4'-8"	7'-0"	1 3/4"	HW-7	2/A-600	7/A-600	12/A-600	--	CLOSET DOORS
209	F	SOLID CORE WD	PT-1	2'-8"	7'-0"	1 3/4"	HW-1	3/A-600	8/A-600	--	--	--
209A	F	SOLID CORE WD	WD-2	3'-0"	7'-0"	1 3/4"	HW-1	3/A-600	8/A-600	--	--	--
209B	C	SOLID WD/GLASS	ALUM/WD-1	2'-6"	V.I.F.	6'-7"	V.I.F.	1 3/4"	HW-5	--	--	--
210	E	HOLLOW MTL	PT-1	3'-0"	7'-0"	1 3/4"	HW-9	6/A-600	6/A-600	11/A-600	90 MIN	--
210A	G	SOLID CORE WD	PT-1	2'-1"	7'-0"	1 3/4"	HW-7	2/A-600	7/A-600	12/A-600	--	CLOSET DOOR
210B	G	SOLID CORE WD	PT-1	1'-10"	7'-0"	1 3/4"	HW-8	4/A-600	--	--	--	SLIDING CLOSET DOOR
210C	H	SOLID CORE WD	PT-1	3'-4	7'-0"	1 3/4"	HW-7	2/A-600	7/A-600	12/A-600	--	CLOSET DOORS
302	F	SOLID CORE WD	WD-2	3'-0"	7'-0"	1 3/4"	HW-1	3/A-600	8/A-600	--	--	--
302A	H	SOLID CORE WD	PT-1	4'-0"	7'-0"	1 3/4"	HW-7	2/A-600	7/A-600	12/A-600	--	CLOSET DOORS
304	I	SOLID CORE WD	PT-1	2'-8"	7'-0"	1 3/4"	HW-8	4/A-600	--	--	--	SLIDING POCKET DOOR
307	H	SOLID CORE WD	PT-1	4'-8"	7'-0"	1 3/4"	HW-7	2/A-600	7/A-600	12/A-600	--	CLOSET DOORS
309	F	SOLID CORE WD	PT-1	2'-8"	7'-0"	1 3/4"	HW-1	3/A-600	8/A-600	--	--	--
309A	F	SOLID CORE WD	WD-2	3'-0"	7'-0"	1 3/4"	HW-1	3/A-600	8/A-600	--	--	--
309B	C	SOLID WD/GLASS	ALUM/WD-1	2'-6"	V.I.F.	6'-7"	V.I.F.	1 3/4"	HW-5	--	--	--
310	E	HOLLOW MTL	PT-1	3'-0"	7'-0"	1 3/4"	HW-9	6/A-600	6/A-600	11/A-600	90 MIN	--
310A	G	SOLID CORE WD	PT-1	2'-1"	7'-0"	1 3/4"	HW-7	2/A-600	7/A-600	12/A-600	--	CLOSET DOOR
310B	G	SOLID CORE WD	PT-1	1'-10"	7'-0"	1 3/4"	HW-8	4/A-600	--	--	--	SLIDING CLOSET DOOR
310C	H	SOLID CORE WD	PT-1	3'-4	7'-0"	1 3/4"	HW-7	2/A-600	7/A-600	12/A-600	--	CLOSET DOORS

DOOR HARDWARE			
QUANTITY	HW SET 1	QUANTITY	HW SET 2
10	KNOB - OMNIA DOOR HARDWARE STAINLESS STEEL LATCHSET NO. 12. HINGE - BALDWIN 4.5" SATIN STAINLESS STEEL FUNCTION - PRIVACY LOCK	2	HINGE - BALDWIN 4.5" SATIN STAINLESS STEEL DOOR CLOSER - CONCEALED OR SURFACE MOUNTED FUNCTION - ENTRANCE LOCK
2	KEYED PUSH PADDLE EXIT ALARM SET HINGE - BALDWIN 4.5" SATIN STAINLESS STEEL DOOR CLOSER - CONCEALED OR SURFACE MOUNTED	5	KNOB - LEVER: SATIN STAINLESS STEEL HINGE - 4.5" MORTISE-MOUNT SELF-CLOSING SPRING HINGE SATIN STAINLESS STEEL FUNCTION - STOREROOM CLOSET LOCK
3	EXTERIOR BALCONY DOOR SET KNOB - OMNIA DOOR HARDWARE S.S. LATCHSET NO. 12. HINGE - BALDWIN 4.5" SATIN STAINLESS STEEL FUNCTION - PATIO LOCK	1	KNOB - LEVER: SATIN STAINLESS STEEL HINGE - BALDWIN 4.5" SATIN STAINLESS STEEL DOOR CLOSER - CONCEALED OR SURFACE MOUNTED FUNCTION - ENTRANCE LOCK
8	CLOSET DOOR SET HINGE - RAJACK OFFSET PIVOT PULL - SUGATSUNE SN SERIES STAINLESS STEEL EDGE PULL	4	SLIDING DOOR SET HAWA TOP HUNG SLIDING DOOR HARDWARE PULL - T.B.D.
2	KNOB - LEVER: SATIN STAINLESS STEEL HINGE - BALDWIN 4.5" SATIN STAINLESS STEEL DOOR CLOSER - T.B.D. FUNCTION - APARTMENT ENTRANCE (DEADBOLT BY KEY OUTSIDE, THUMBTURN INSIDE WITH PASSAGE FUNCTION AND ANTI-PANIC DEADBOLT)		

**660-662
CONGRESS
STREET**
PORTLAND, MAINE

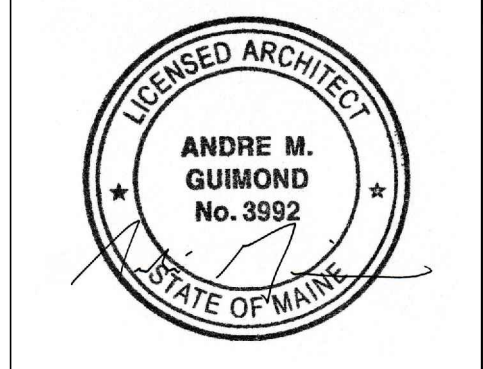
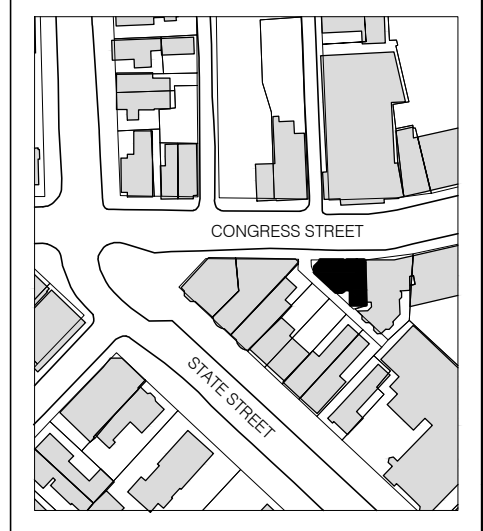
ARCHITECT:
PRESENT ARCHITECTURE PLLC
66 WEST BROADWAY, SUITE 306
NEW YORK, NY, 10007
T: (207) 449-9513

CONTRACTOR:
BAYHILL BUILDING & DESIGN
P.O. BOX 178
SOUTH FREEPORT, ME 04078
T: (207) 865-9351

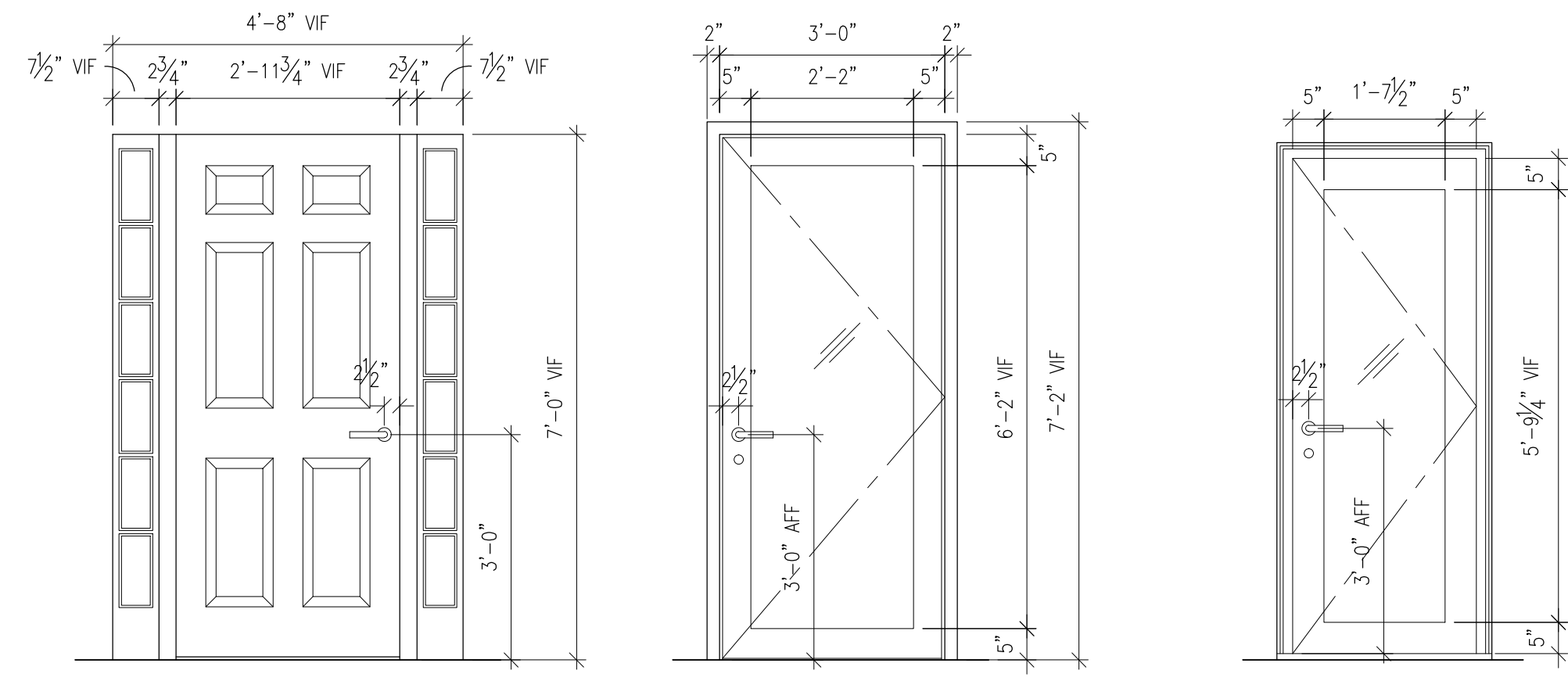
STRUCTURAL ENGINEER:
**ENGINEERING DESIGN
PROFESSIONALS**
P.O. BOX 575
FREEPORT, ME 04032
T: (207) 865-9505

OWNER:
A.K. LONGFELLOW LLC
660 CONGRESS STREET
PORTLAND, ME 04101

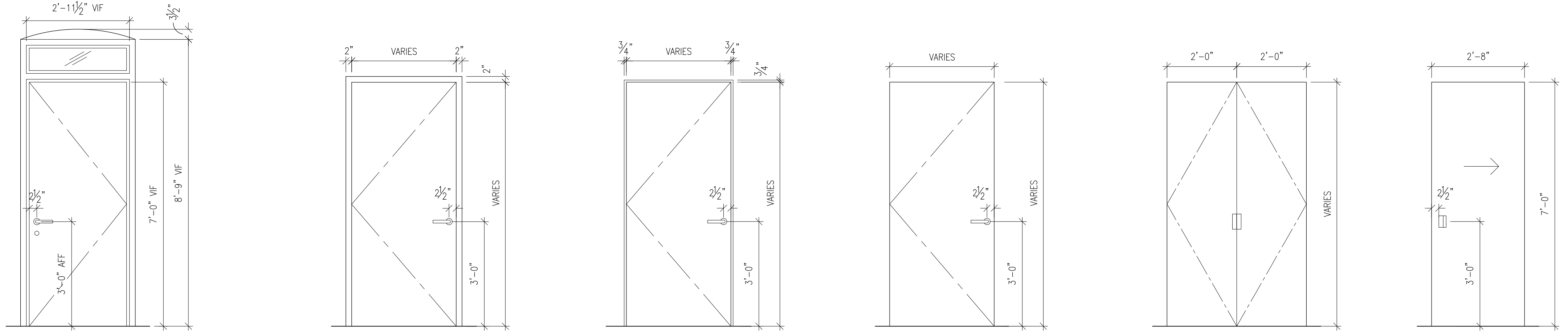
NO.	DATE	ISSUE
4	7/18/2014	PHASE 2 PERMIT ISSUE
3	1/15/2014	FIRE MARSHAL ISSUE
2	5/15/2013	PHASE 1 PERMIT ISSUE
1	3/28/2013	HPCA SET



B-SCAN:
DWG. CONTENTS:
**DOOR TYPES &
SCHEDULES**
DATE: September 5, 2014
SCALE: 1/2" = 1'-0"
DWG. BY:
PROJECT NO.: 008
DWG. NO.: **A-601**
SHEET NO.:



DOOR TYPE A
1/2" = 1'-0"
DOOR TYPE B
1/2" = 1'-0"
DOOR TYPE C
1/2" = 1'-0"



DOOR TYPE D
1/2" = 1'-0"
DOOR TYPE E
1/2" = 1'-0"
DOOR TYPE F
1/2" = 1'-0"
DOOR TYPE G
1/2" = 1'-0"
DOOR TYPE H
1/2" = 1'-0"
DOOR TYPE I
1/2" = 1'-0"