

**660-662
CONGRESS
STREET**

PORTLAND, MAINE

ARCHITECT:
PRESENT ARCHITECTURE PLLC

66 WEST BROADWAY, SUITE 306
NEW YORK, NY, 10007
T: (207) 449-9513

CONTRACTOR:
BAYHILL BUILDING & DESIGN

P.O. BOX 178
SOUTH FREEPORT, ME 04078
T: (207) 865-9351

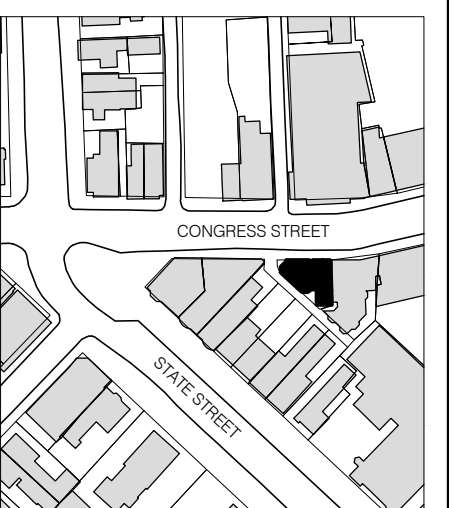
STRUCTURAL ENGINEER:
**ENGINEERING DESIGN
PROFESSIONALS**

P.O. BOX 575
FREEPORT, ME 04032
T: (207) 865-9505

OWNER:
A.K. LONGFELLOW LLC

660 CONGRESS STREET
PORTLAND, ME 04101

| NO. | DATE | ISSUE |
|-----|-----------|----------------------|
| 4 | 7/18/2014 | PHASE 2 PERMIT ISSUE |
| 3 | 1/15/2014 | FIRE MARSHAL ISSUE |
| 2 | 5/15/2013 | PHASE 1 PERMIT ISSUE |
| 1 | 3/28/2013 | HPCA SET |



B-SCAN:

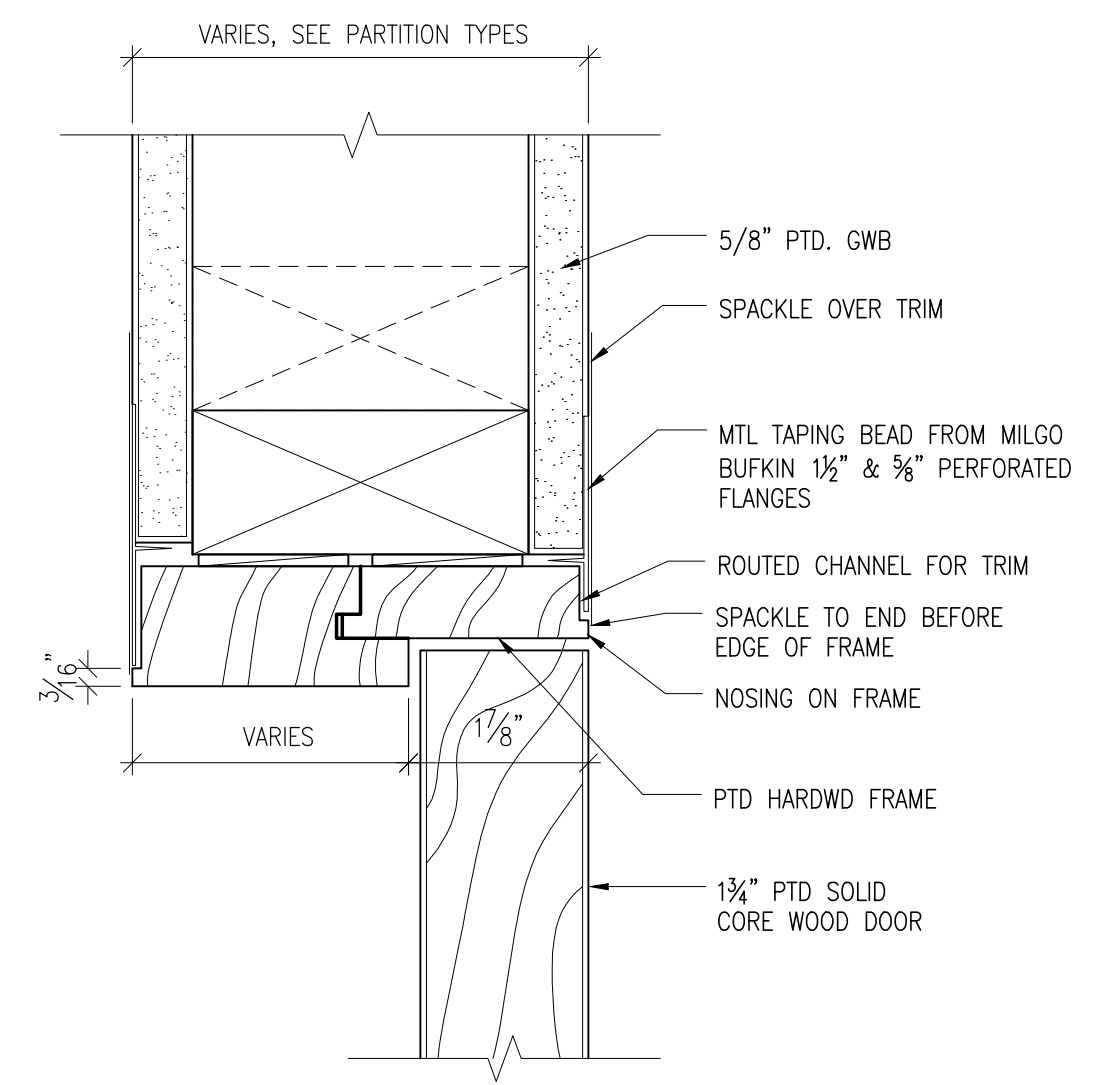
DWG. CONTENTS:
DOOR DETAILS

DATE: September 5, 2014
SCALE: 6" = 1'-0"

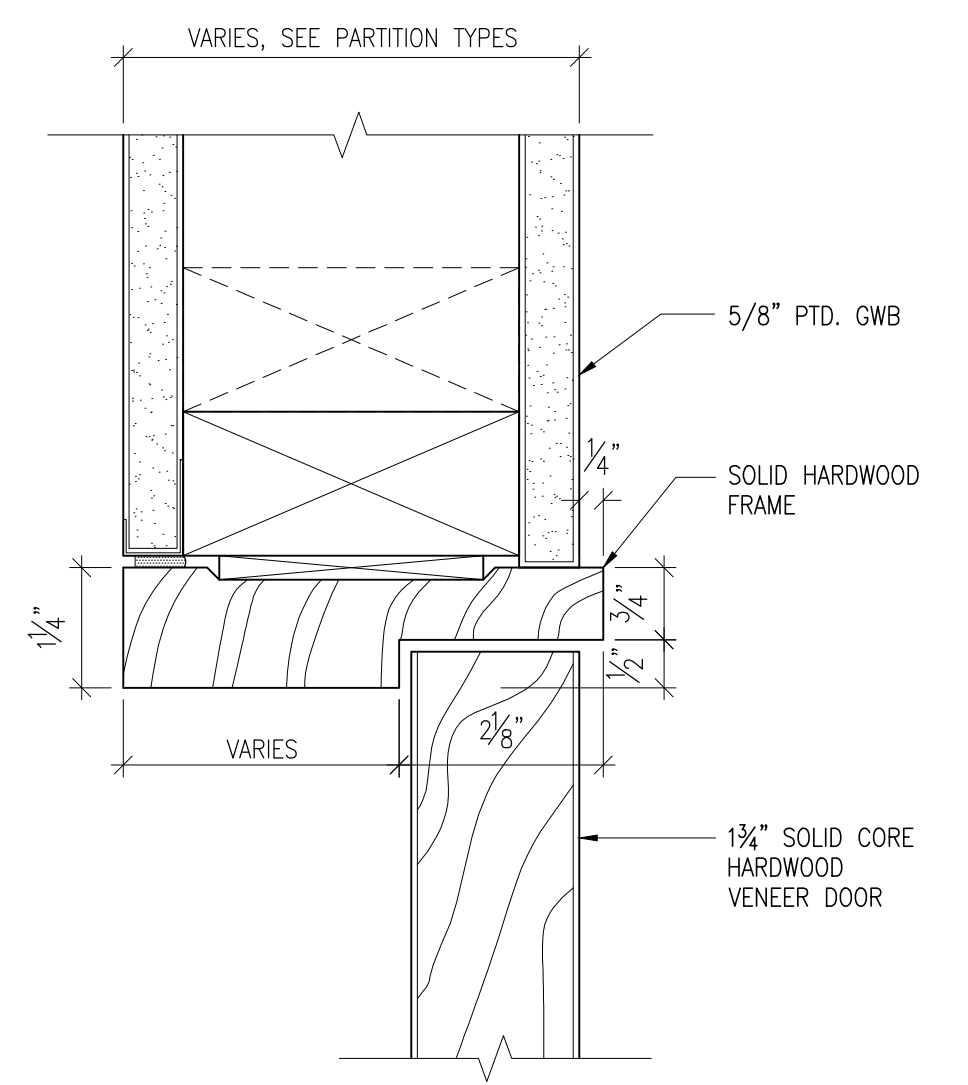
DWG. BY:
PROJECT NO.: 008

DWG. NO.: **A-600**

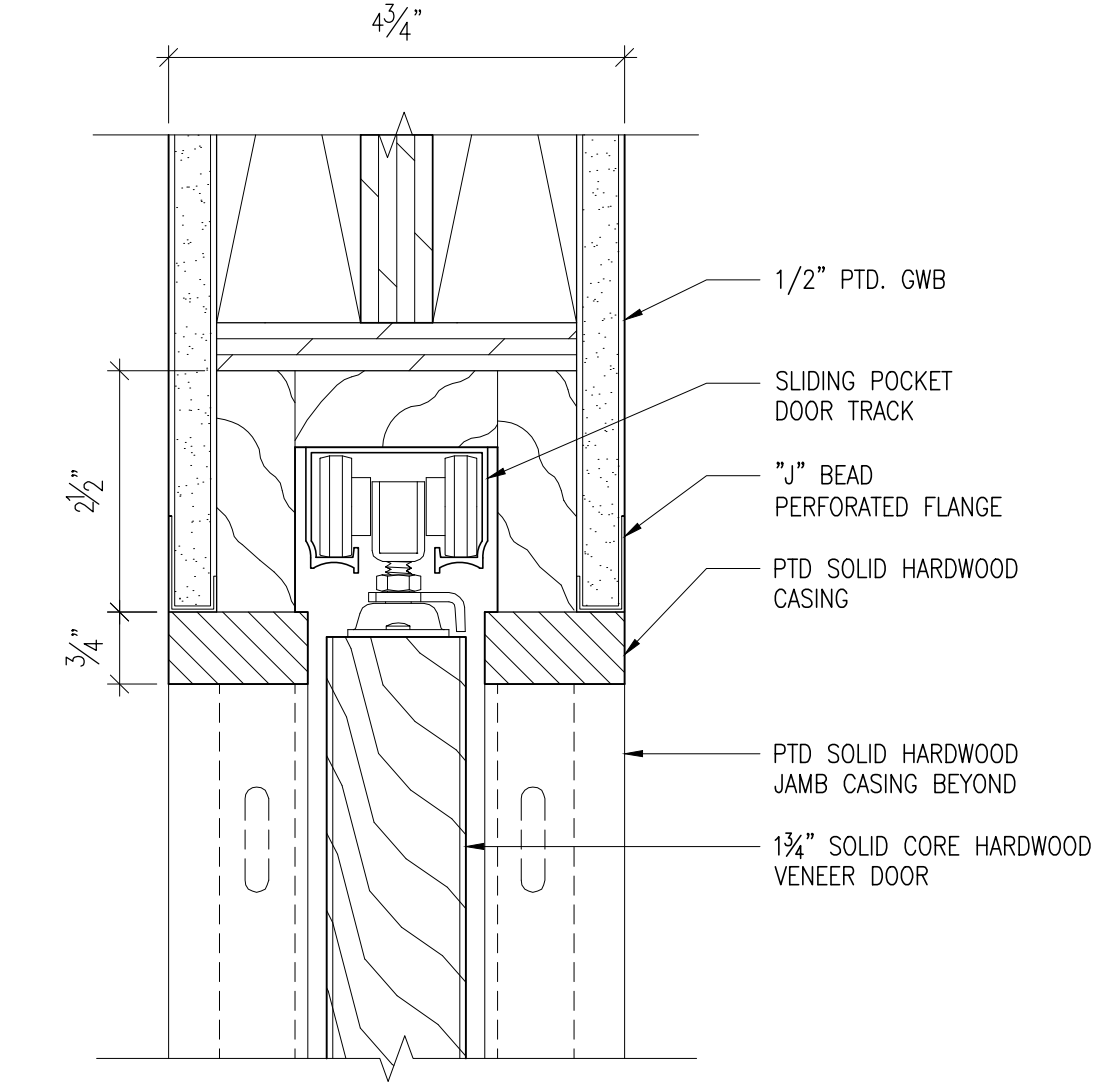
SHEET NO.:



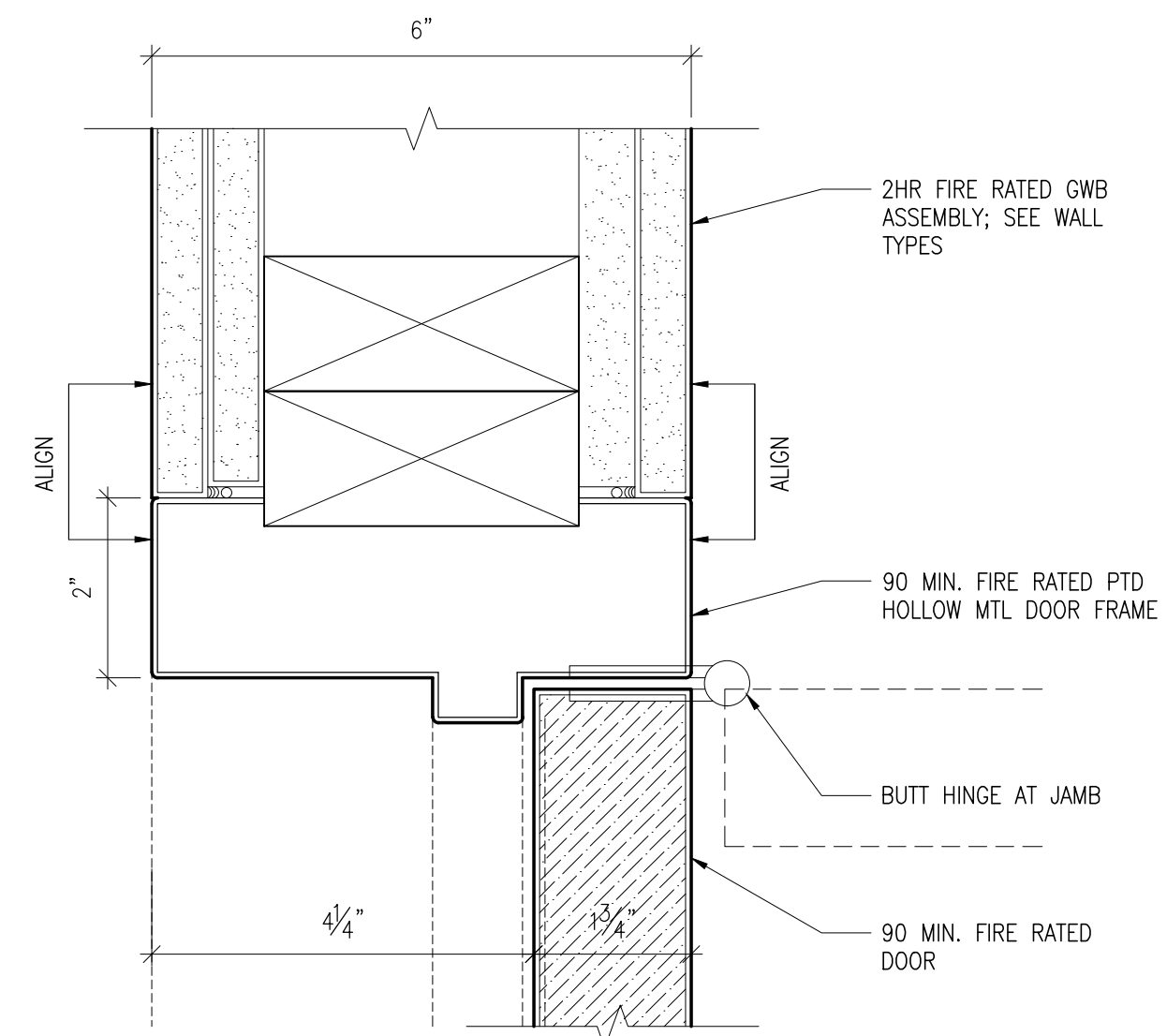
2 JAMB DTL - CONCEALED HARDWD FRAME
A-600 6" = 1'-0"



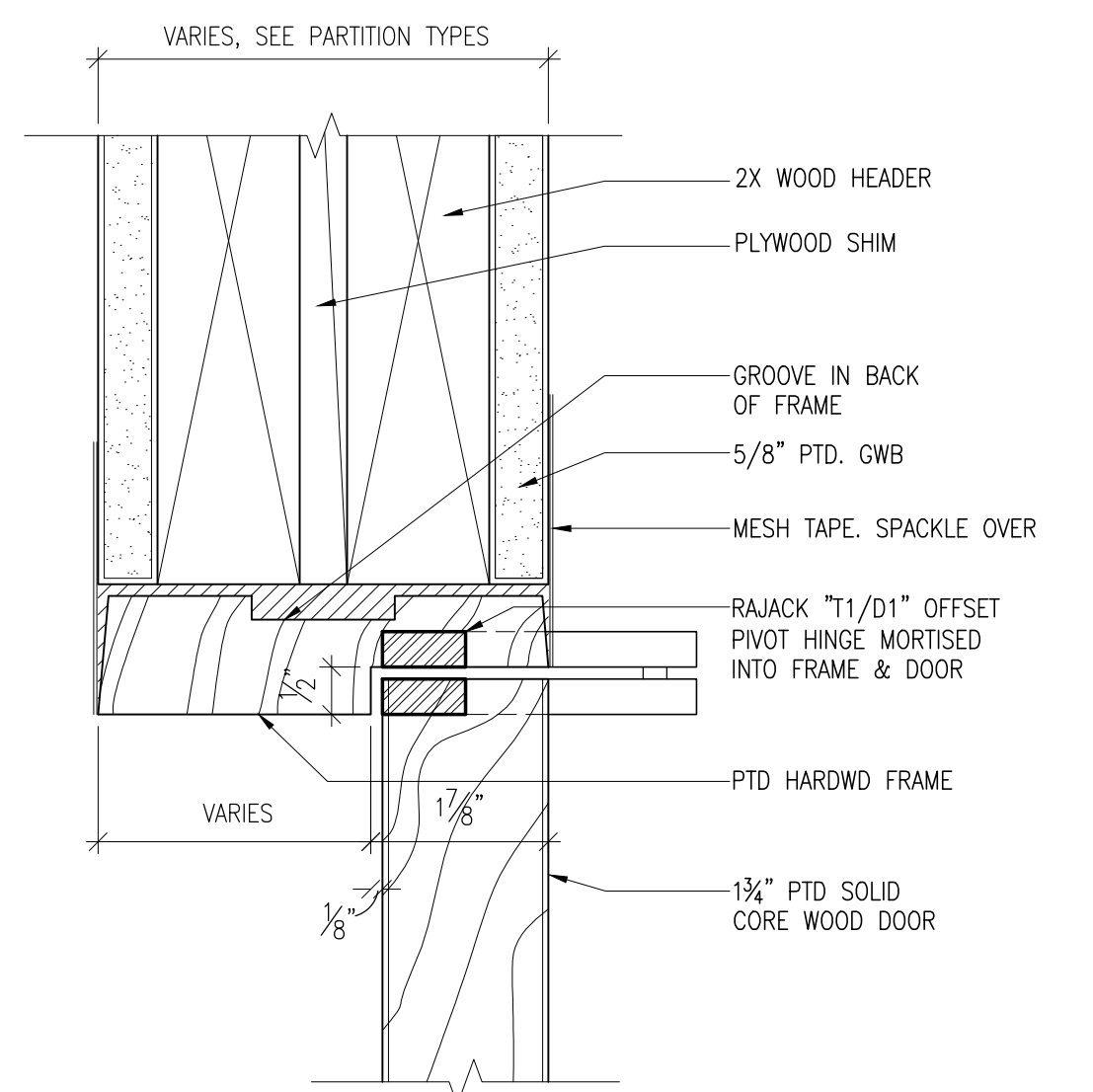
3 JAMB DTL W/ HARDWD FRAME
A-600 6" = 1'-0"



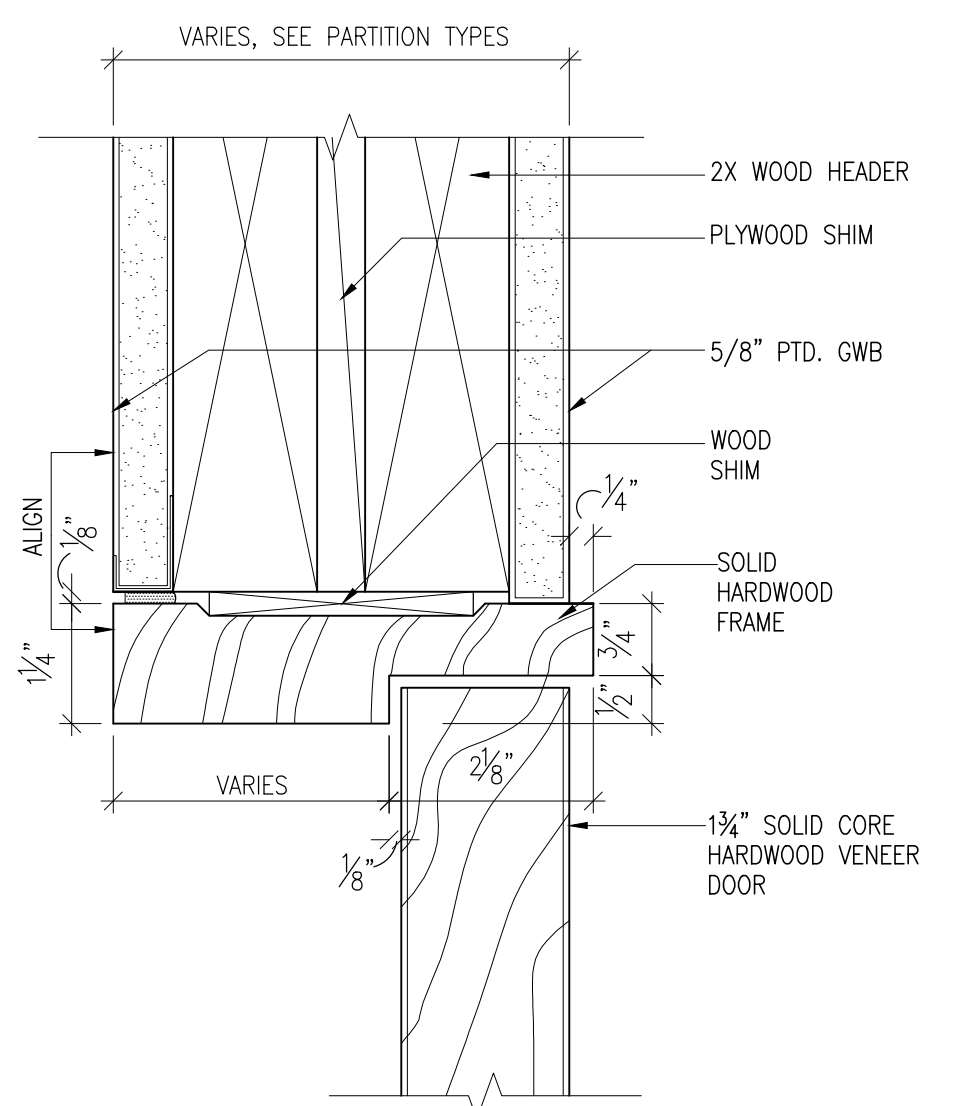
4 POCKET DOOR HEAD DTL
A-600 6" = 1'-0"



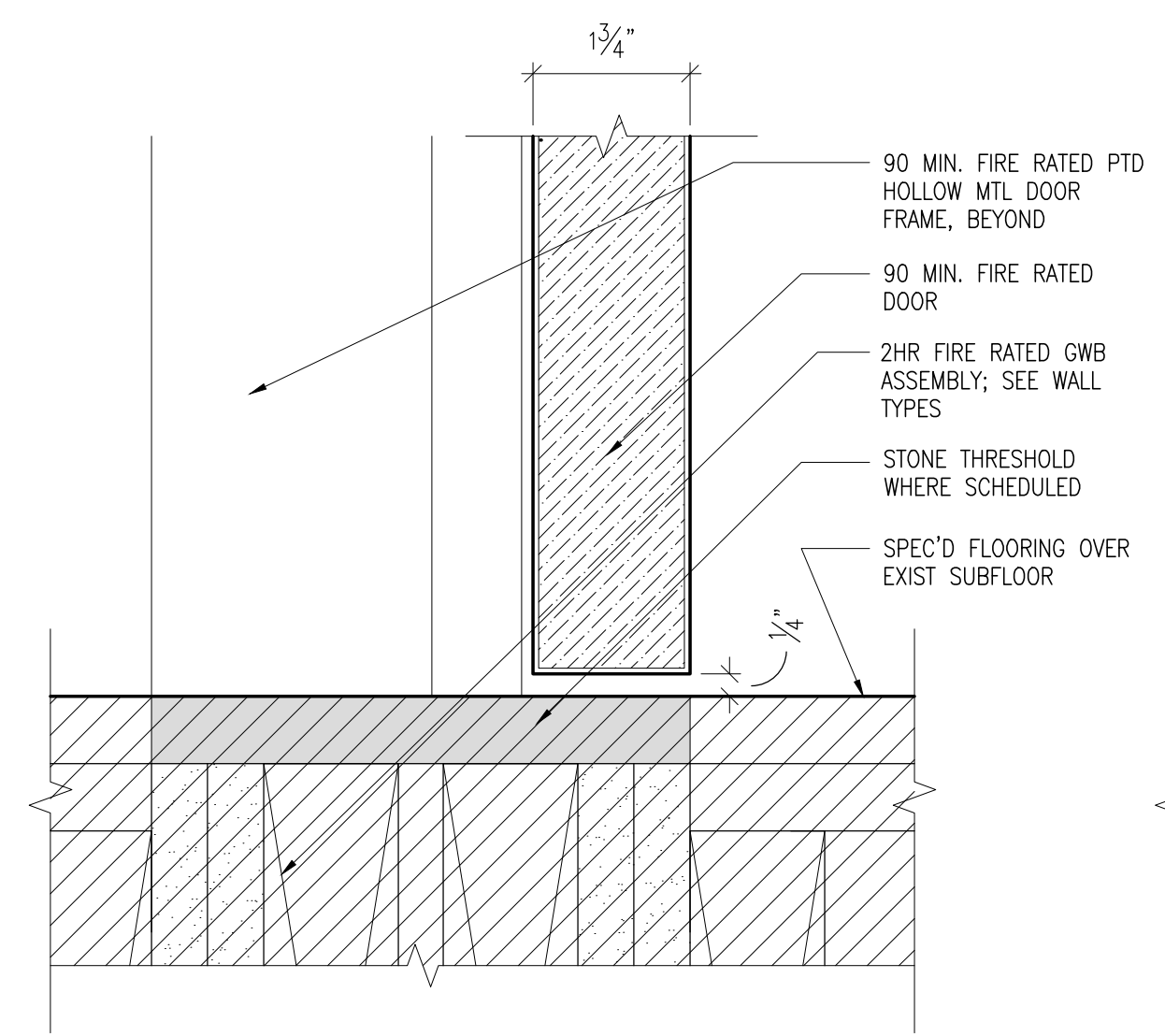
6 DOOR JAMB & HEAD DTL
A-600 6" = 1'-0"



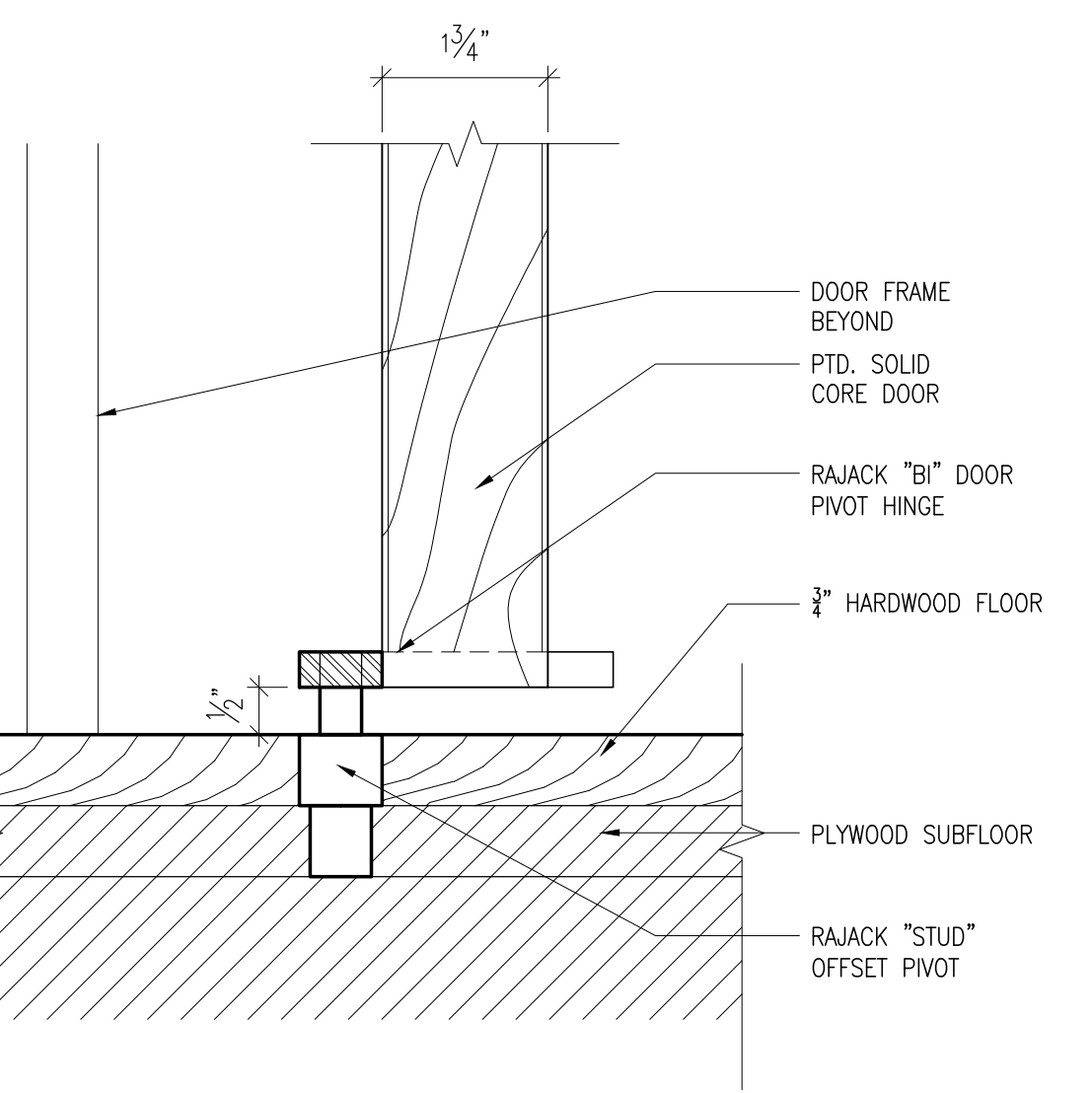
7 DOOR HEAD - CONCEALED FRAME
A-600 6" = 1'-0"



8 HEAD DTL W/ HARDWD FRAME
A-600 6" = 1'-0"



11 DOOR SILL DTL
A-600 6" = 1'-0"



12 DOOR SILL OFFSET PIVOT- HINGE
A-600 6" = 1'-0"