

**660-662
CONGRESS
STREET**

PORTLAND, MAINE

ARCHITECT:
PRESENT ARCHITECTURE PLLC

66 WEST BROADWAY, SUITE 306
NEW YORK, NY, 10007
T: (207) 449-9515

CONTRACTOR:
BAYHILL BUILDING & DESIGN

P.O. BOX 178
SOUTH FREEPORT, ME 04078
T: (207) 865-9351

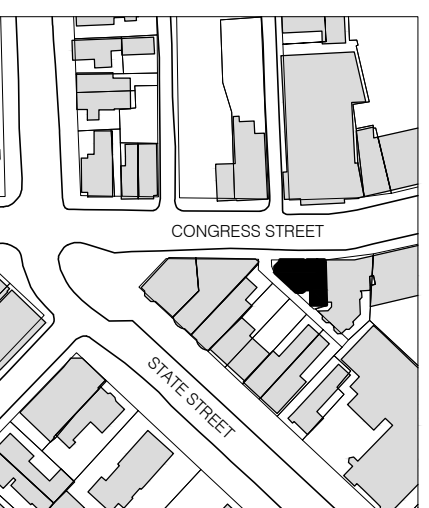
STRUCTURAL ENGINEER:
**ENGINEERING DESIGN
PROFESSIONALS**

P.O. BOX 575
FREEPORT, ME 04032
T: (207) 865-9505

OWNER:
A.K. LONGFELLOW LLC

660 CONGRESS STREET
PORTLAND, ME 04101

NO.	DATE	ISSUE
4	7/18/2014	PHASE 2 PERMIT ISSUE
3	1/15/2014	FIRE MARSHAL ISSUE
2	5/15/2013	PHASE 1 PERMIT ISSUE
1	3/28/2013	HPCA SET



NTS
N



B-SCAN:

DWG. CONTENTS:

WALL TYPES

DATE: September 5, 2014

SCALE: 3"=1'-0"

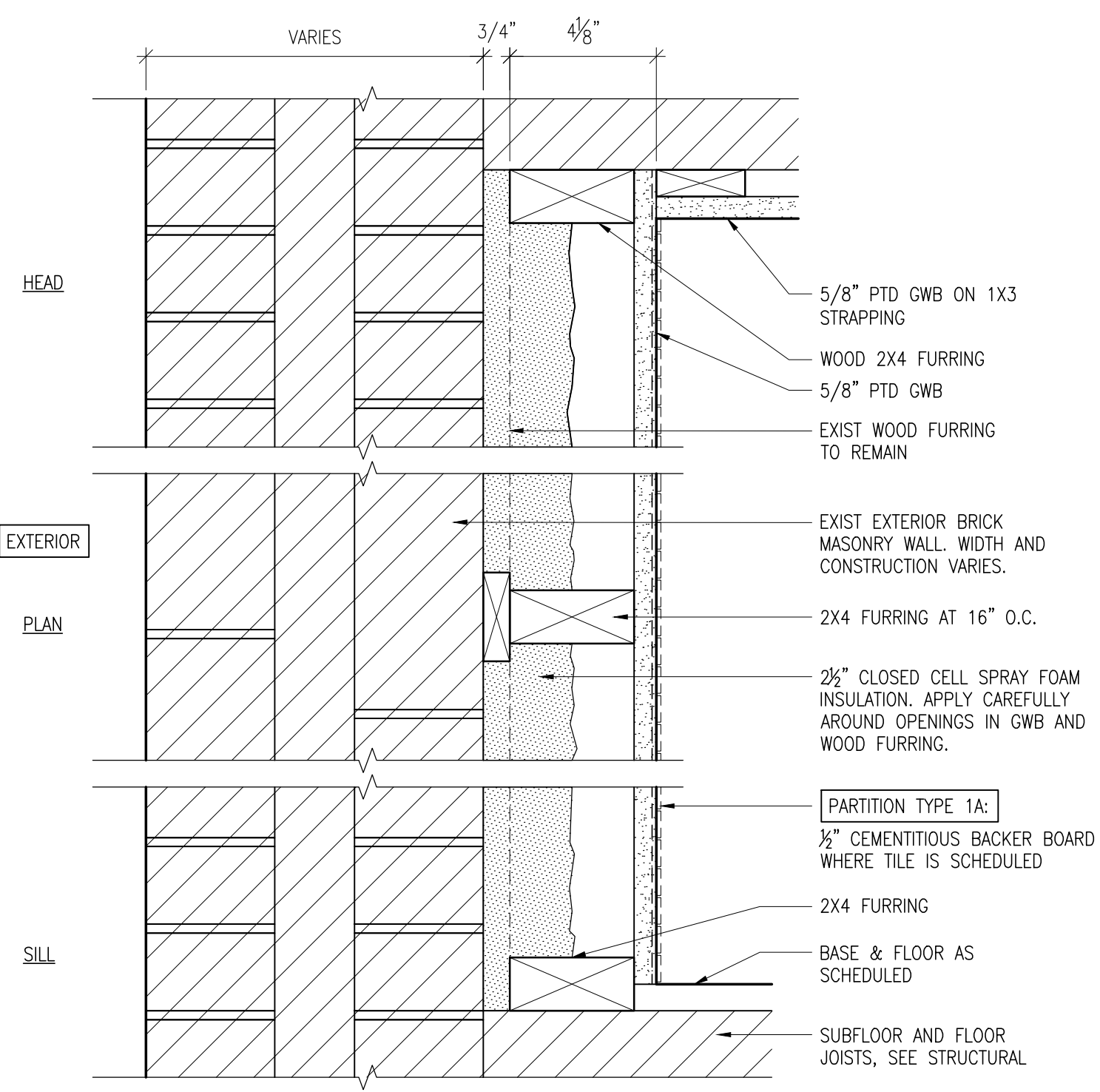
DWG. BY:

PROJECT NO.: 008

DWG. NO.:

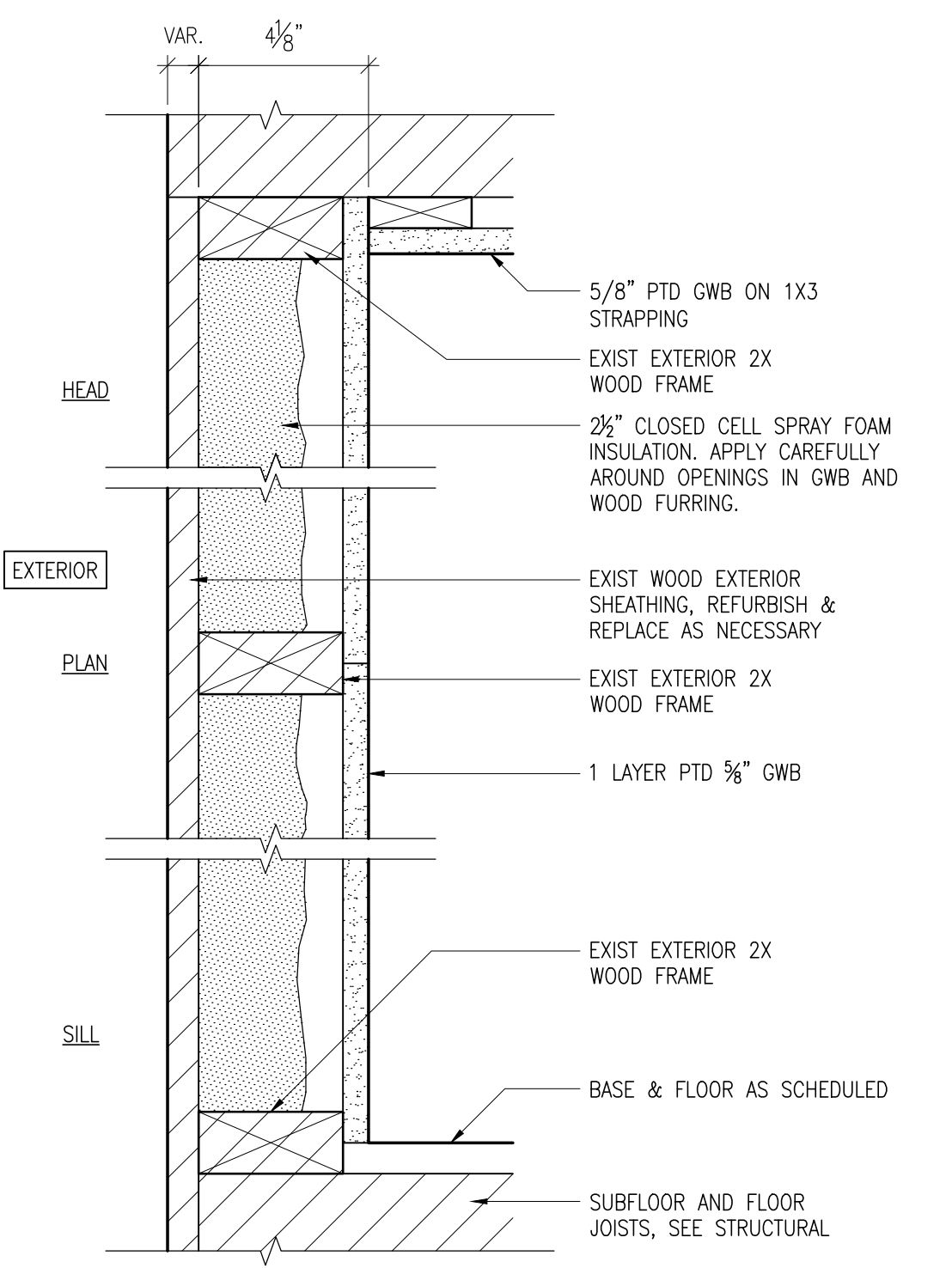
A-590

SHEET NO.:

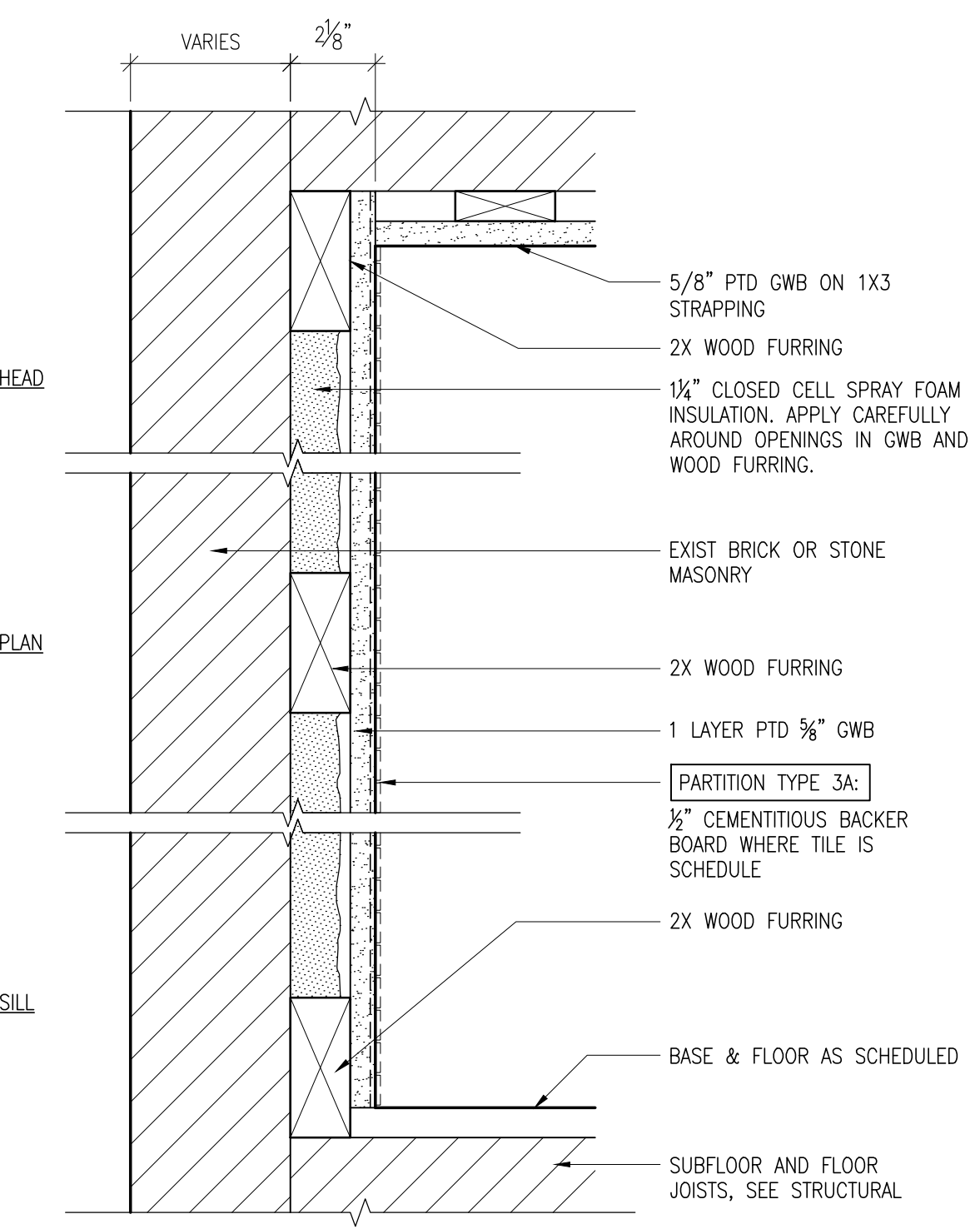


1 PARTITION TYPE 1

1A PARTITION TYPE 1A

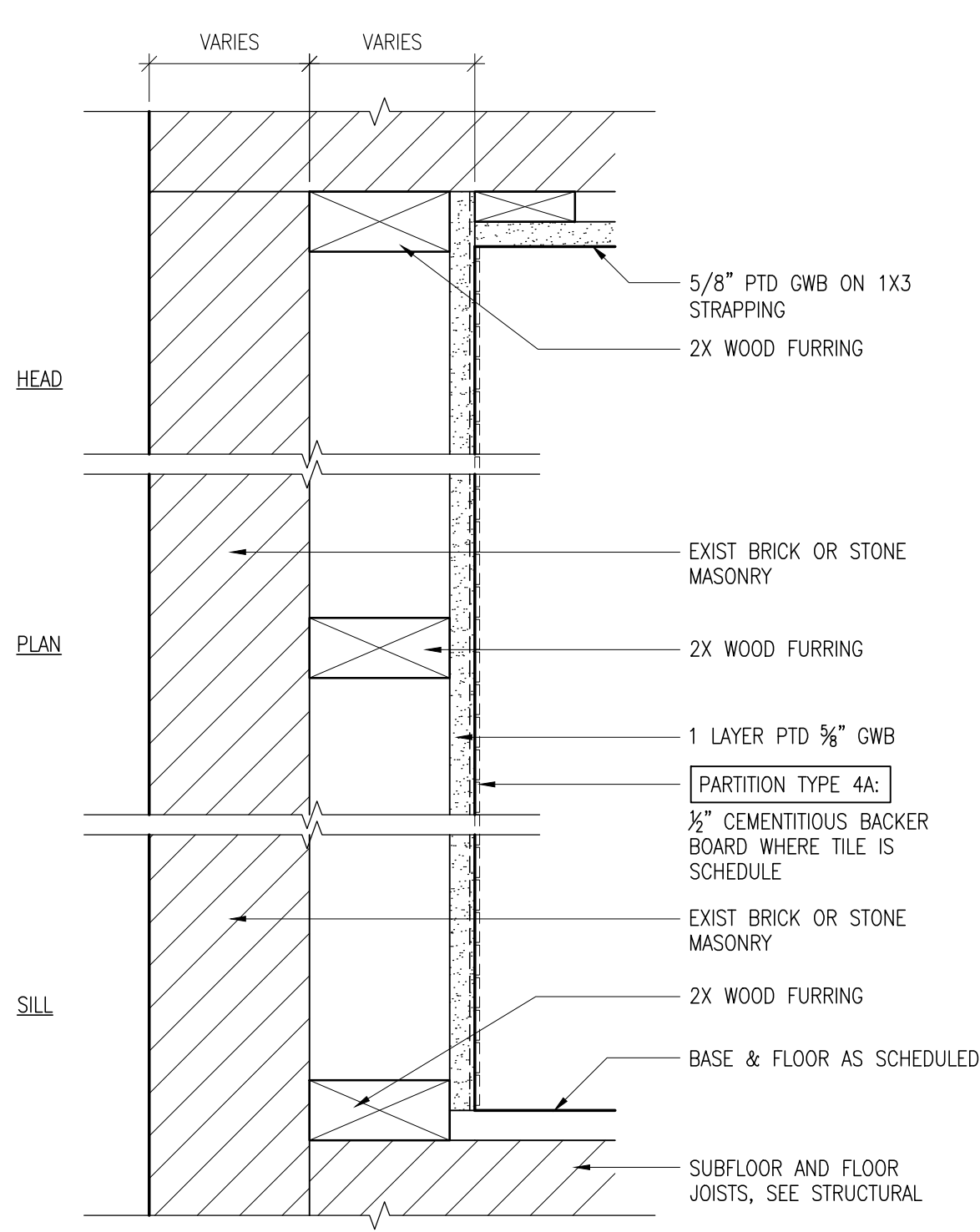


2 PARTITION TYPE 2



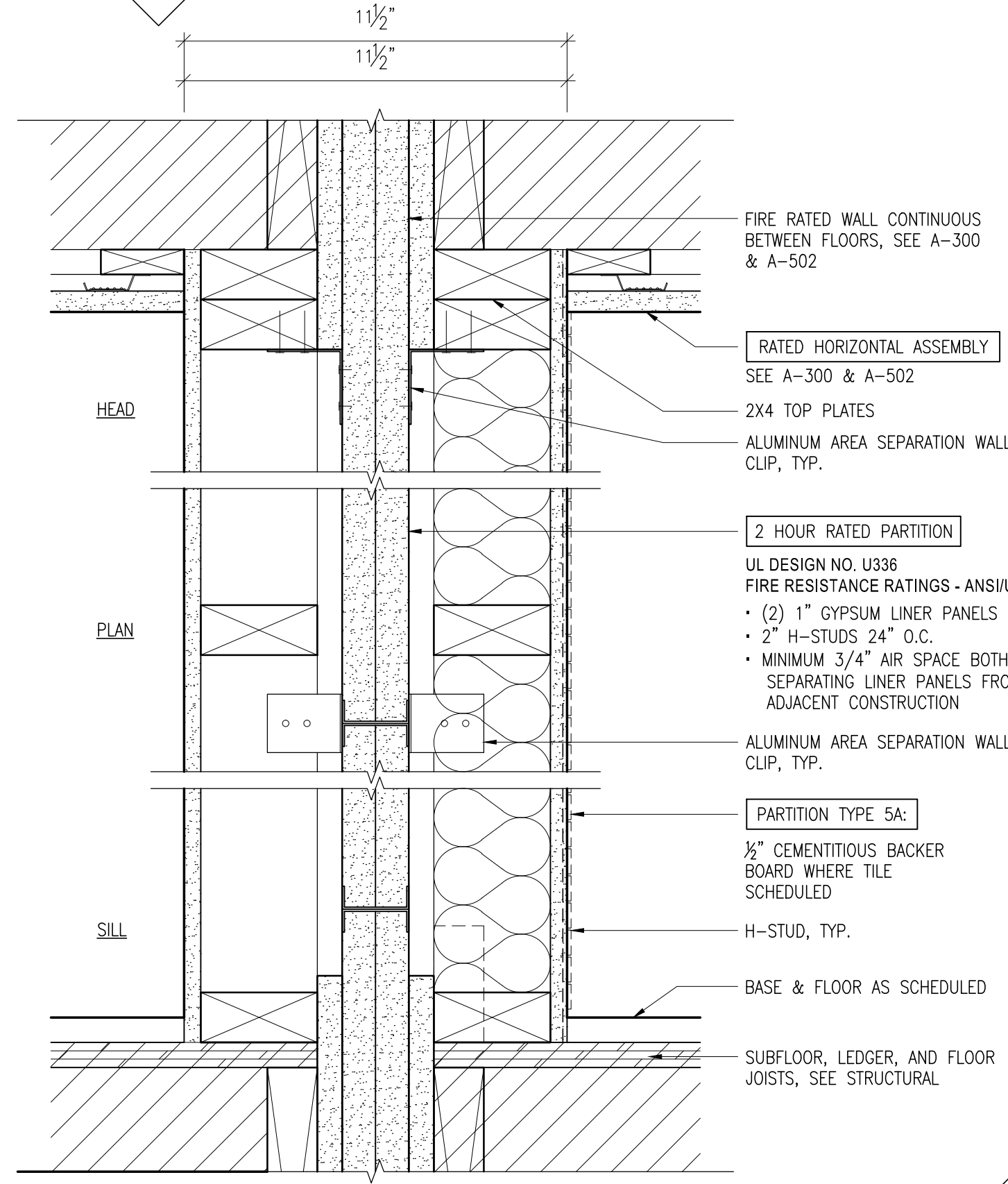
3 PARTITION TYPE 3

3A PARTITION TYPE 3A



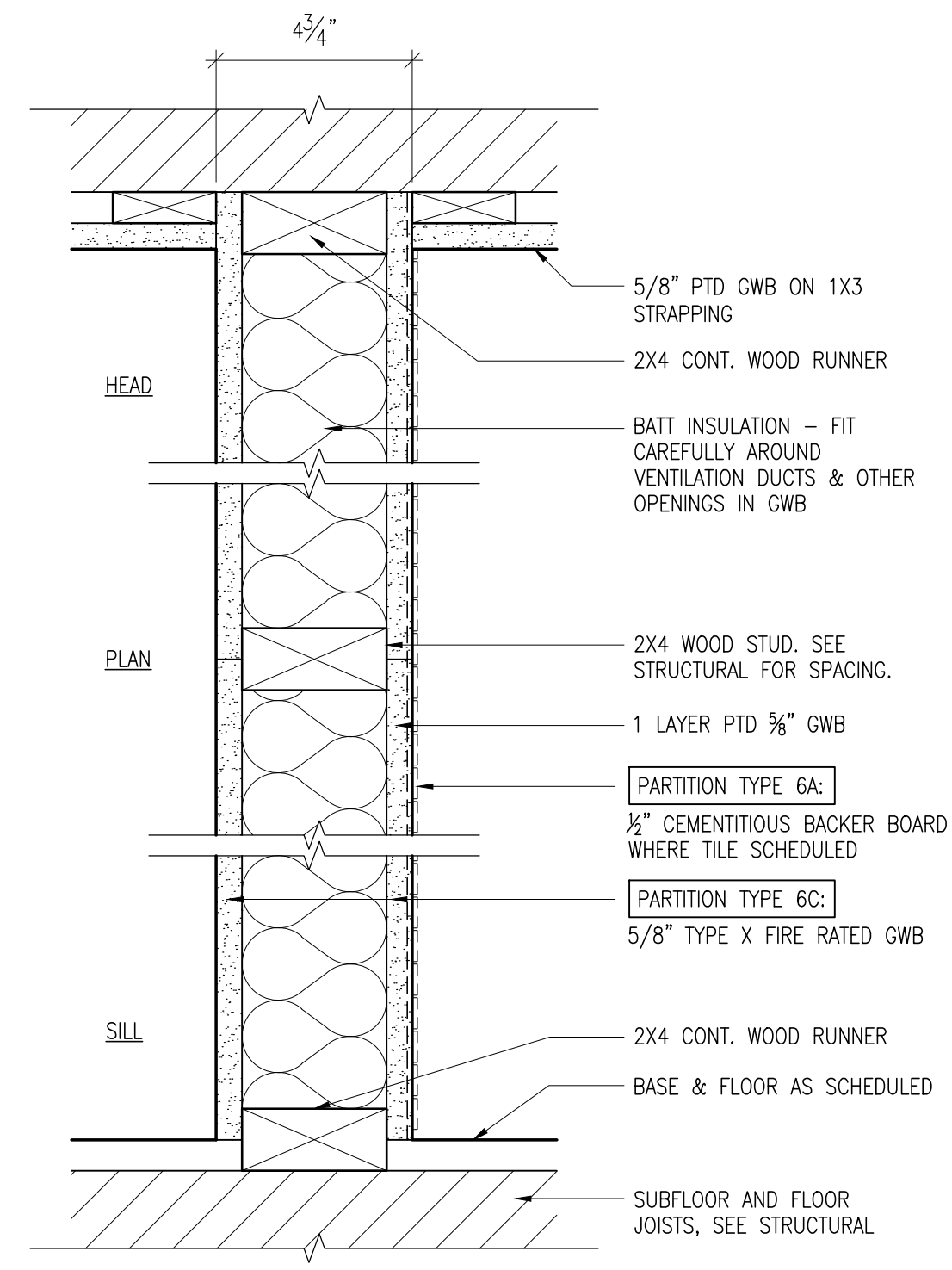
4 PARTITION TYPE 4

4A PARTITION TYPE 4A



5 PARTITION TYPE 5
2 HOUR FIRE RATED

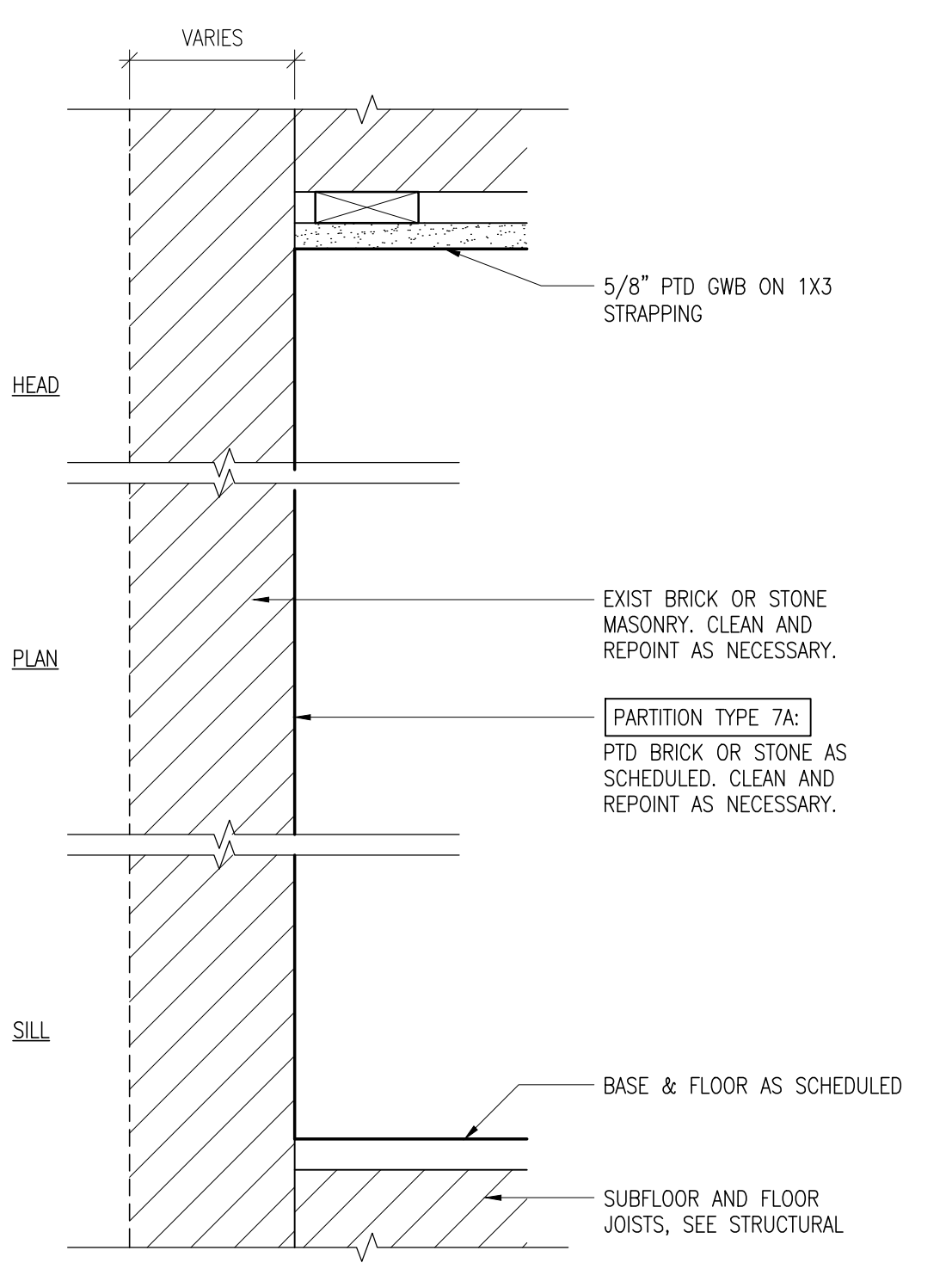
5A PARTITION TYPE 5A



6 PARTITION TYPE 6

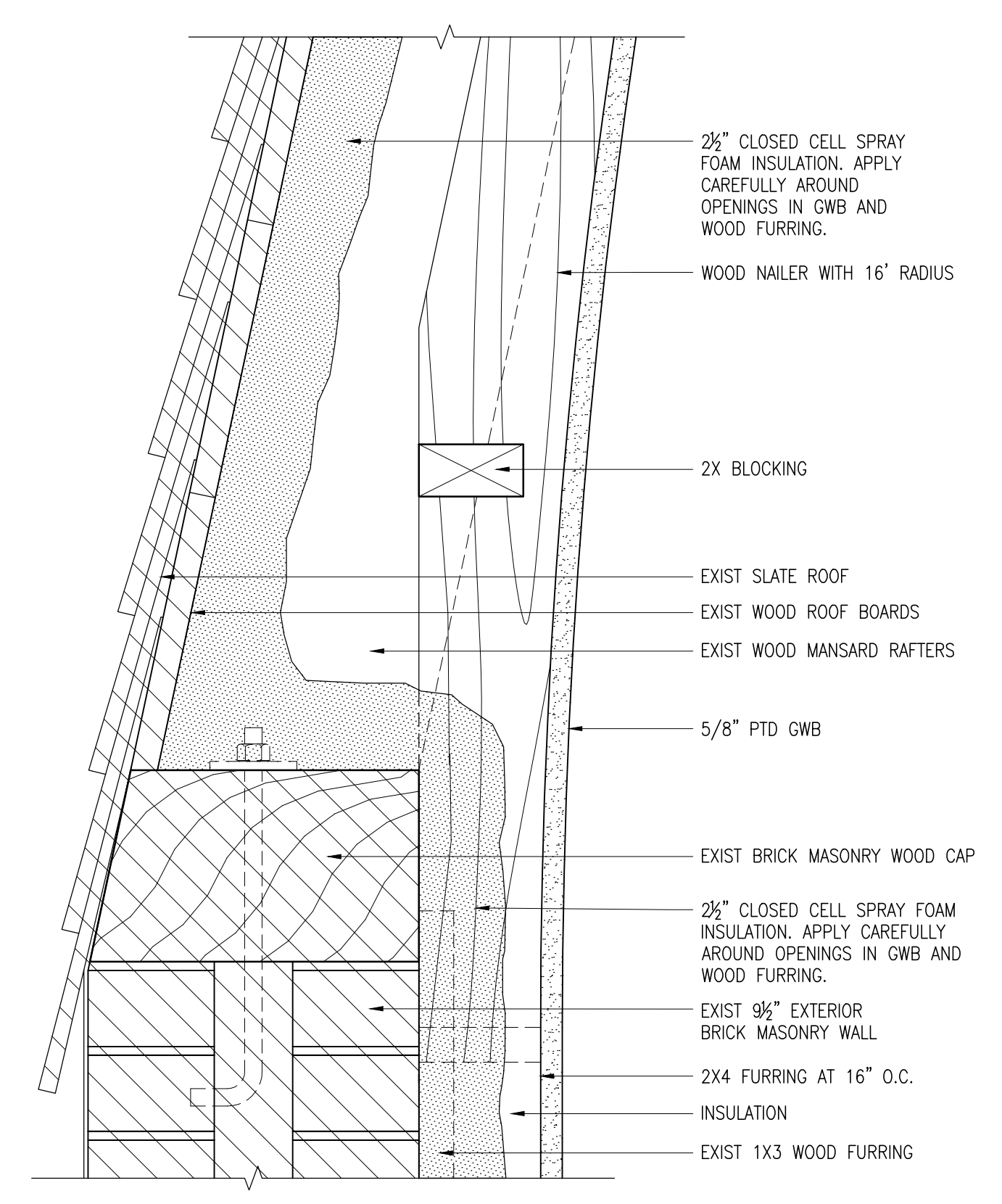
6C PARTITION TYPE 6C
1 HOUR FIRE RATED

6A PARTITION TYPE 6A



7 PARTITION TYPE 7

7A PARTITION TYPE 7A



X BRICK TO MANSARD TRANSITION