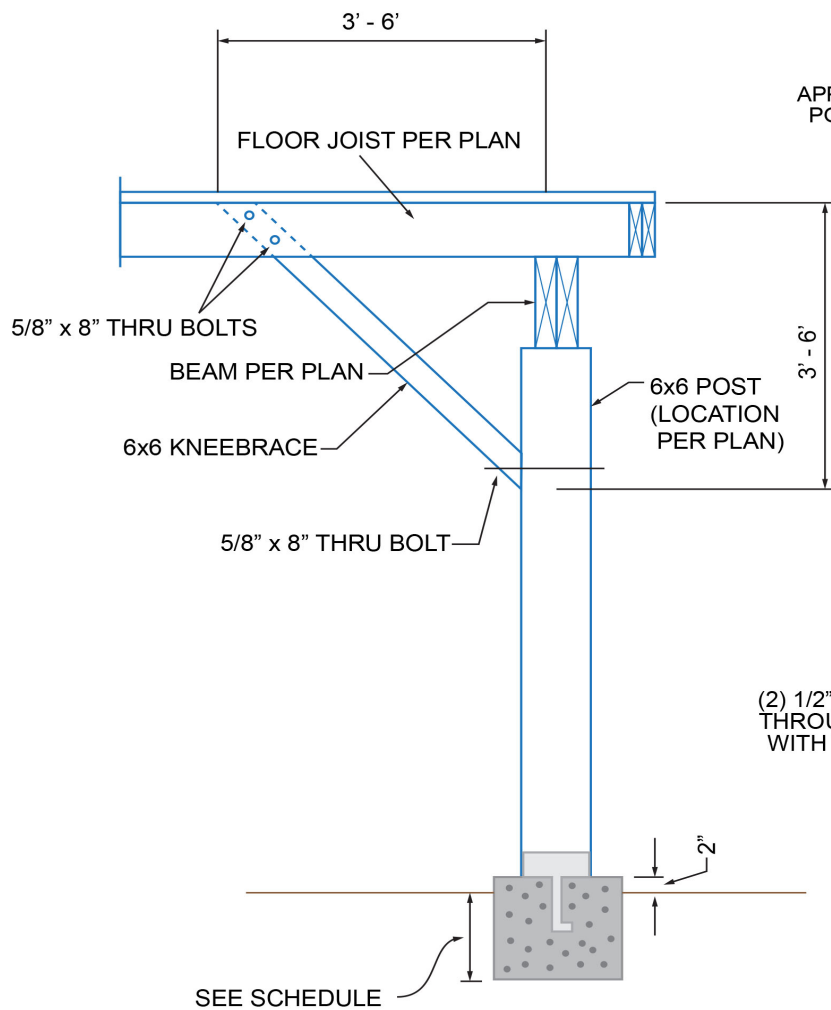


**INSTALLATION CHECKLIST**

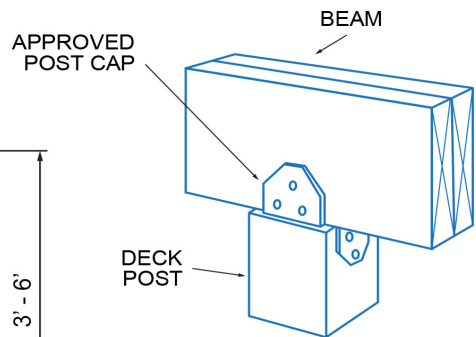
**Post bracing**

Brace posts as dictated by local codes and by-laws.

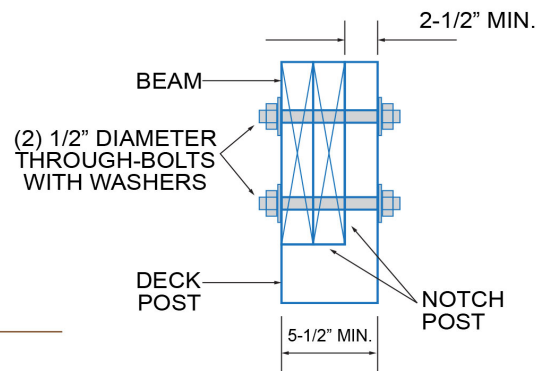
**BRACE AT JOIST**



**POST CAP**



**NOTCHED POST**



**8'-0" MAX. GRADE TO TOP OF DECKING**

NOT FOR CONSTRUCTION TO BE ENGINEERED TO LOCAL CODES

NOT TO SCALE