

tll- architects LLC
 28 Danforth Street, Suite 213
 Portland, Maine 04101
 ph: 207.761.9662

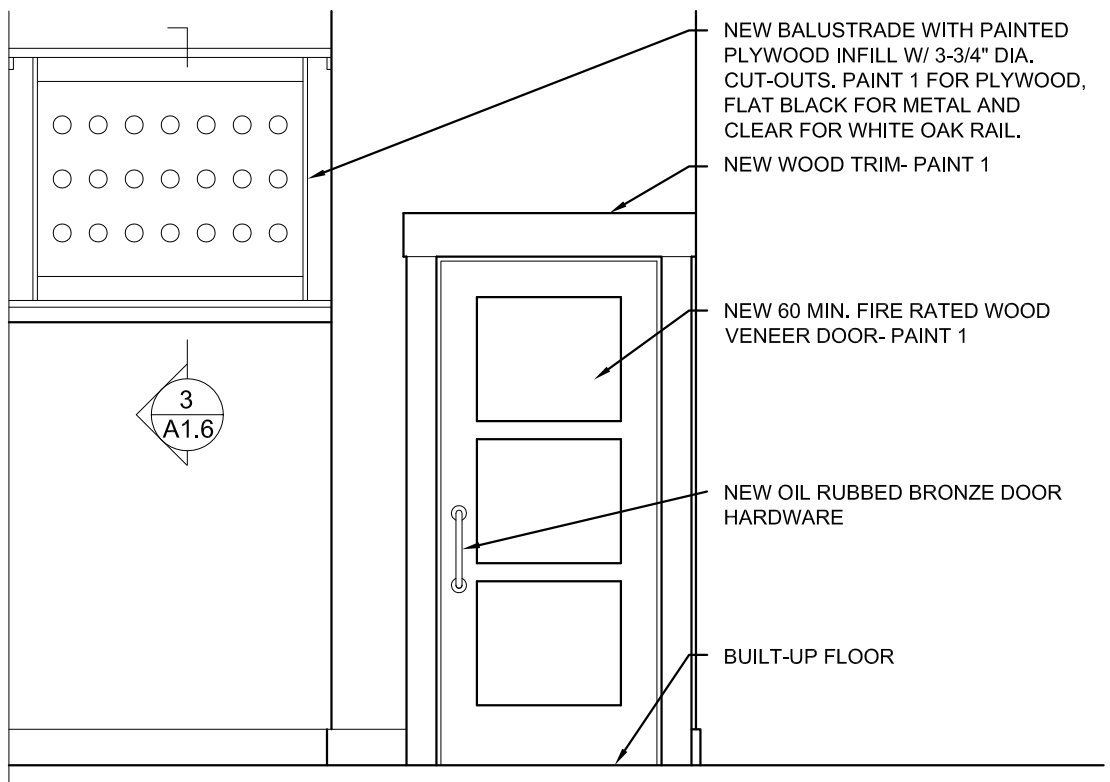
MAINE IRISH HERITAGE CENTER

34 GRAY STREET
 PORTLAND, MAINE

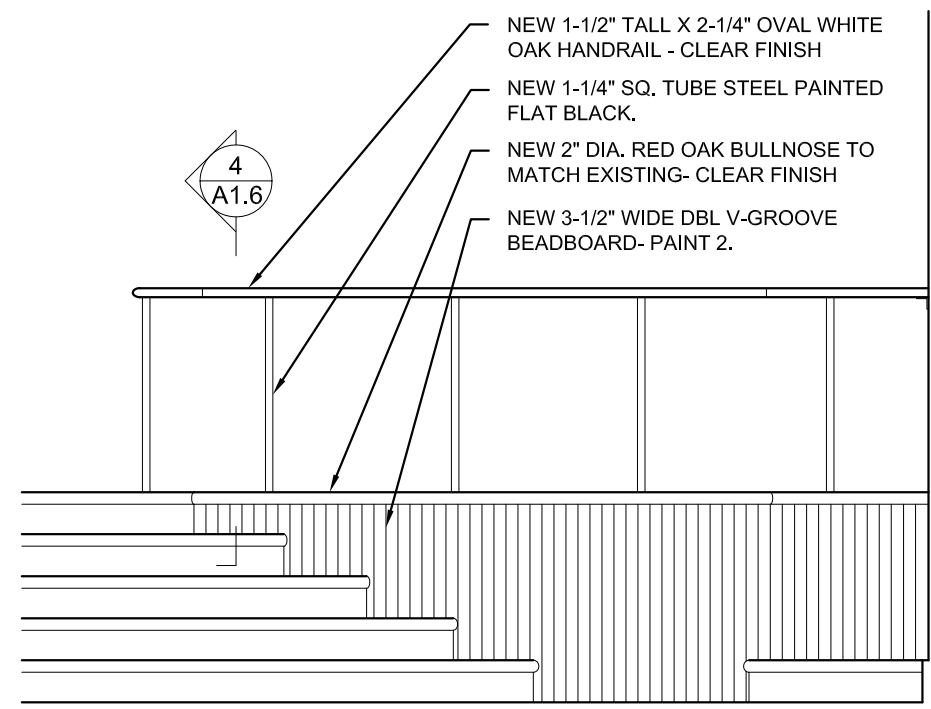
DATE:
 15 JUNE 2010

PROJECT NO.:
 1002

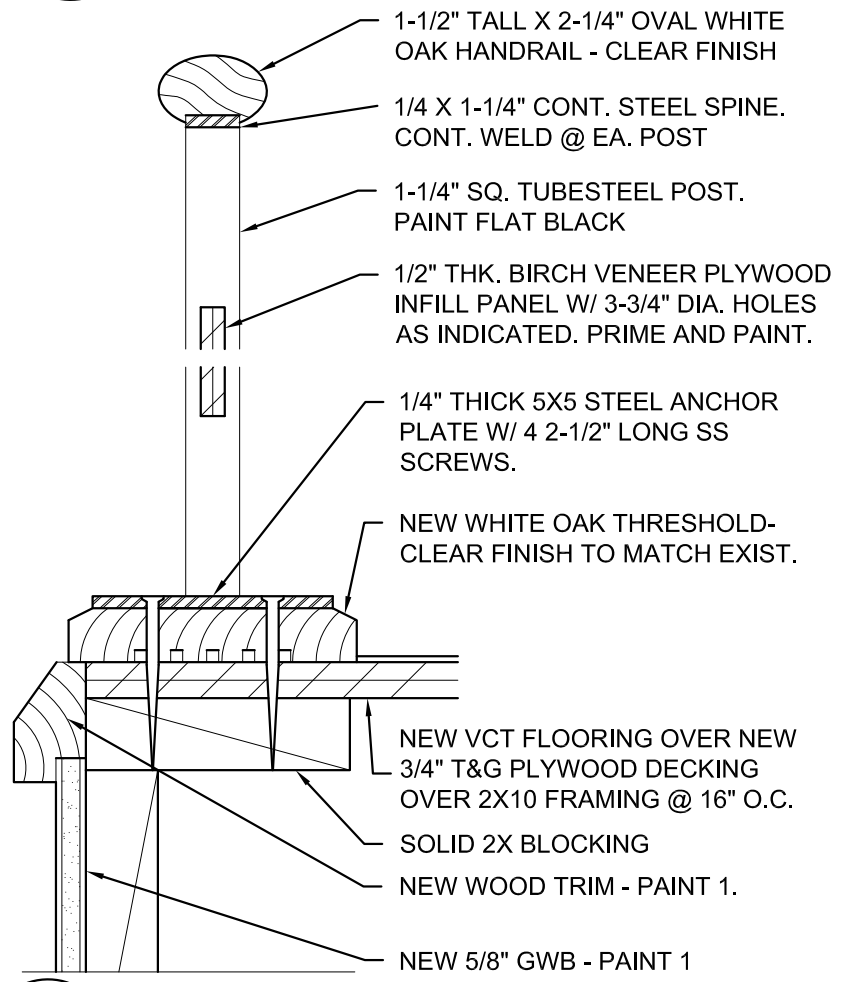
A1.6



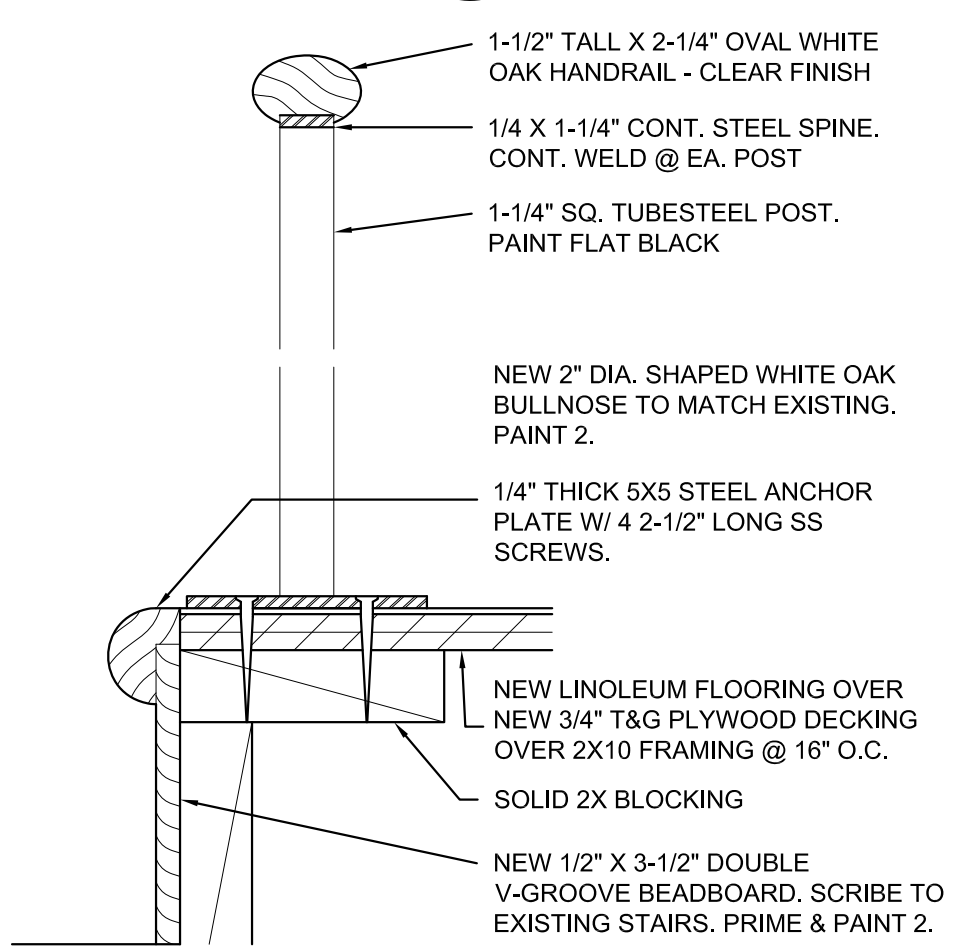
1
A1.6
 ELEVATION @ NEW BALUSTRADE
 3/8" = 1'-0"



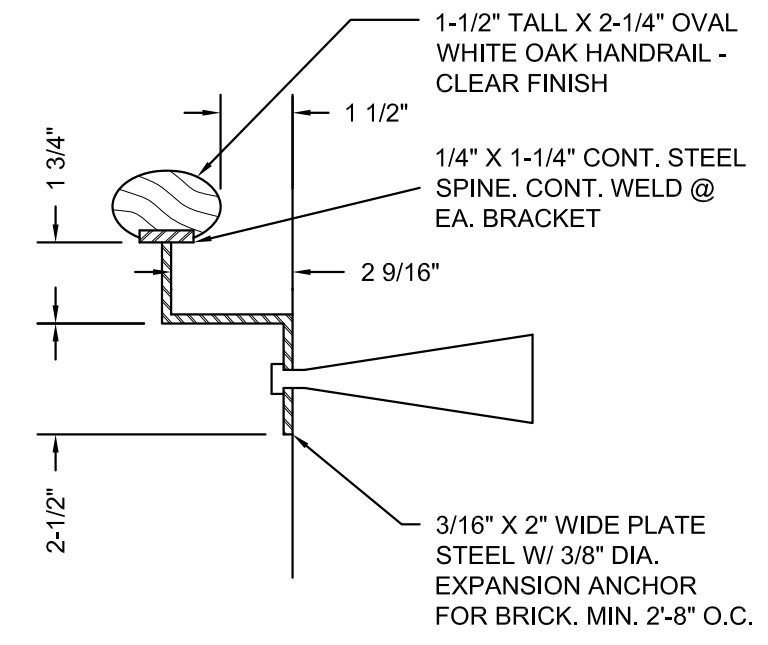
2
A1.6
 UNFOLDED ELEVATION @ NEW INFILL LANDING
 3/8" = 1'-0"



3
A1.6
 SECTION @ NEW BALUSTRADE
 3" = 1'-0"



4
A1.6
 SECTION @ NEW MAIN LEVEL BALUSTRADE
 3" = 1'-0"



5
A1.6
 NEW WALL MOUNTED HANDRAIL
 3" = 1'-0"