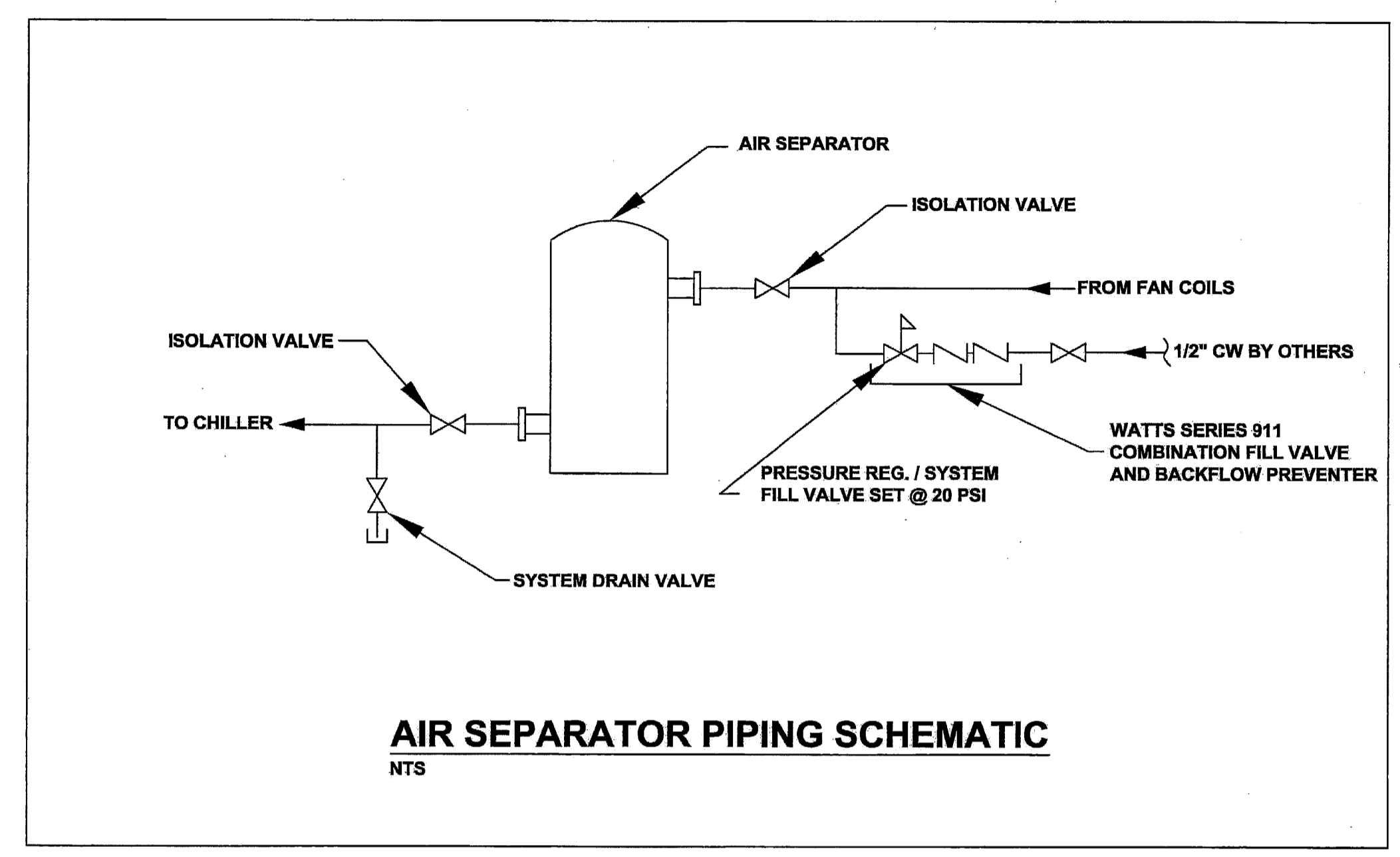
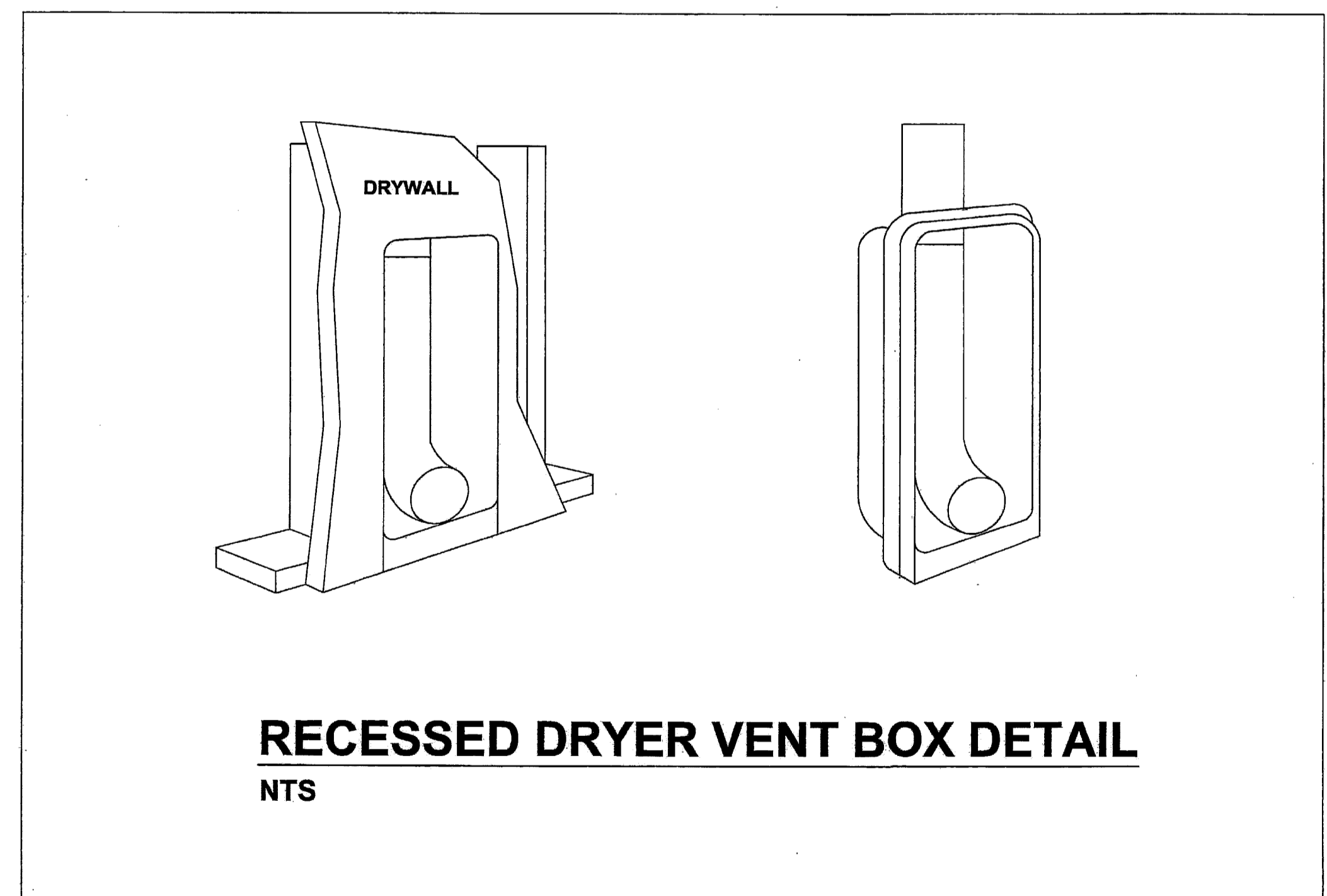


**CHILLER UNIT PIPING SCHEMATIC**  
 NTS



**AIR SEPARATOR PIPING SCHEMATIC**  
 NTS



**RECESSED DRYER VENT BOX DETAIL**  
 NTS

75 STATE STREET  
 PORTLAND, ME  
 HARBORSIDE SOUTH

**DETAILS AND SCHEDULES**

PROJECT NUMBER:	42096
ISSUED:	9-10-07
DRAWN BY:	MGR
CHECKED BY:	DWM / CB
FILENAME:	.DWG

CHILLER UNIT SCHEDULE										
TAG	Nominal Capacity Cooling	Service	Manufacturer	Model Number	Weight (Lbs.)	Pump HP	MCA	MCOP	V-Ph-Hz	Notes
Chiller Unit	9.6 Tons	All Fan Coils	Carrier	AQUASNAP 30RAN010A	1024	1.5	50.2	80	230-3-60	

FAN COIL UNIT SCHEDULE														
TAG	MANUFACTURE	MODEL NUMBER	NOMINAL CFM	COOLING CAPACITY (MBH)	EAT (F)	LAT (F)	GPM	WPD (FT)	EWT (F)	LWT (F)	V-Hz-Ph	AREA SERVED	UNIT LOCATION	NOTES
FCU-1 - FCU-7	HiLine	HS603	300	11	80	48.4	2.3	14.6	45	55	115-60-1	See Drawings	See Drawings	Vertical Stacking Fan Coil Units