

INTERIOR FINISH SCHEDULE

010106

75 STATE STREET- HARBORSIDE SOUTH 4TH FLOOR

ABBREVIATIONS			
C	CARPET	SYD	SQUARE YARD(S)
G	GROUT	T	TILE
N/A	NOT APPLICABLE	TBS	TO BE SELECTED
P	PAINT	VCB	VINYL COVE BASE
PL	PLASTIC LAMINATE	VCT	VINYL COMPOSITE TILE
R	RESILIENT/ RUBBER/ RUBBER TREAD	VSB	VINYL STRAIGHT BASE
SC	SEALED CONCRETE	WC	WALL COVERING (VINYL/ PAPER)
SF	SQUARE FEET	WCB	WALL COVERING BORDER (VINYL/ PAPER)
SS	SOLID SURFACE/ NATURAL STONE	WD	WOOD

Room #	Room Name	Floor	Grout	Walls				Wainscoting	Base	Trim			Countertop/ Worksurface/ Cabinets		Remarks
				North Wall	East Wall	South Wall	West Wall			Decorative Trim(s)	Door(s)	Door & Window Moulding	Horizontal Plane	Vertical Plane	
FOURTH FLOOR APARTMENTS															
401	LIVING ROOM	C2	-	P5	P5	P5	P5	-	VCB1	P1	P2	P1	-	-	
	KITCHEN	R1	-	P5	P5	P5	P5	-	VCB1	P1	P2	P1	-	-	
	DINING	C2	-	P5	P5	P5	P5	-	VCB1	P1	P2	P1	-	-	
	BEDROOM	C2	-	P6	P6	P6	P6	-	VCB1	P1	P2	P1	-	-	
	BATH	R1	-	P7	P7	P7	P7	-	VCB1	P1	P2	P1	-	-	
402	LIVING ROOM	C2	-	P5	P5	P5	P5	-	VCB1	P1	P2	P1	-	-	
	ENTRY	R1	-	P5	P5	P5	P5	-	VCB1	P1	P2	P1	-	-	
	KITCHEN	R1	-	P5	P5	P5	P5	-	VCB1	P1	P2	P1	-	-	
	DINING	C2	-	P5	P5	P5	P5	-	VCB1	P1	P2	P1	-	-	
	BEDROOM	C2	-	P6	P6	P6	P6	-	VCB1	P1	P2	P1	-	-	
	BATH	R1	-	P7	P7	P7	P7	-	VCB1	P1	P2	P1	-	-	
403	ENTRY	R1	-	P5	P5	P5	P5	-	VCB1	P1	P2	P1	-	-	
	LAUNDRY CLOSET	R1	-	P5	P5	P5	P5	-	VCB1	P1	P2	P1	-	-	
	HALL	C2	-	P5	P5	P5	P5	-	VCB1	P1	P2	P1	-	-	
	KITCHEN	R1	-	P5	P5	P5	P5	-	VCB1	P1	P2	P1	-	-	
	LIVING ROOM	C2	-	P5	P5	P5	P5	-	VCB1	P1	P2	P1	-	-	
	DINING	C2	-	P5	P5	P5	P5	-	VCB1	P1	P2	P1	-	-	
	BEDROOM 1	C2	-	P6	P6	P6	P6	-	VCB1	P1	P2	P1	-	-	
	BEDROOM 2	C2	-	P8	P8	P8	P8	-	VCB1	P1	P2	P1	-	-	
	BATH	R1	-	P7	P7	P7	P7	-	VCB1	P1	P2	P1	-	-	
404-407	LIVING ROOM	C2	-	P5	P5	P5	P5	-	VCB1	P1	P2	P1	-	-	
	KITCHEN	R1	-	P5	P5	P5	P5	-	VCB1	P1	P2	P1	-	-	
	BEDROOM	C2	-	P6	P6	P6	P6	-	VCB1	P1	P2	P1	-	-	
	BATH	R1	-	P7	P7	P7	P7	-	VCB1	P1	P2	P1	-	-	

FOURTH FLOOR															
400	STAIR 1	EXISTING TO REMAIN													
408	LOUNGE	R1	-	P4	P4	P4	P4	BEADB D-P1	VCB1	P1	P2	P1	PL1	WD	P2 AT BACK AND SIDES OF CABINET SHELVES
409	CL	SC	-	P3	P3	P3	P3		VCB2	-	P2	-	-	-	
410	CORR	C1	-	P3/WC1, P4	P3/WC1, P4	P3/WC1, P4	P3/WC1, P4		VCB1	P1	P2	P1	-	-	WALLCOVERING BELOW CHAIRRAIL, P4 AT UNIT ENTRY DOOR WALL
411	CORR	C1	-	P3/P1, P4	P3/WC1, P4	P3/WC1, P4	P3/WC1, P4		VCB1	P1	P2	P1	-	-	WALLCOVERING BELOW CHAIRRAIL, P4 AT UNIT ENTRY DOOR WALL, P3 ABOVE BEADBOARD
412	ELEV LOBBY	C1	-	P3/WC1, P4	P3/P1, P4	P3/WC1, P4	P3		VCB1	P1	P2	P1	-	-	WALLCOVERING BELOW CHAIRRAIL, P4 AT UNIT ENTRY DOOR WALL, P3 ABOVE BEADBOARD, P3 AT BRICK WALL
413	CORR	C1	-	P3/WC1, P4	P3/WC1, P4	P3/WC1, P4	P3/WC1, P4		VCB1	P1	P2	P1	-	-	WALLCOVERING BELOW CHAIRRAIL, P4 AT UNIT ENTRY DOOR WALL
414	STAIR 2	EXISTING TO REMAIN													
415	ELEV	EXISTING TO REMAIN													
416	ELEV	EXISTING TO REMAIN													
417	MECH	SC	-	P3	P3	P3	P3		VCB2	-	P2	-	-	-	

A1 FINISH SCHEDULE

NTS

INTERIOR FINISH LEGEND

10106.00

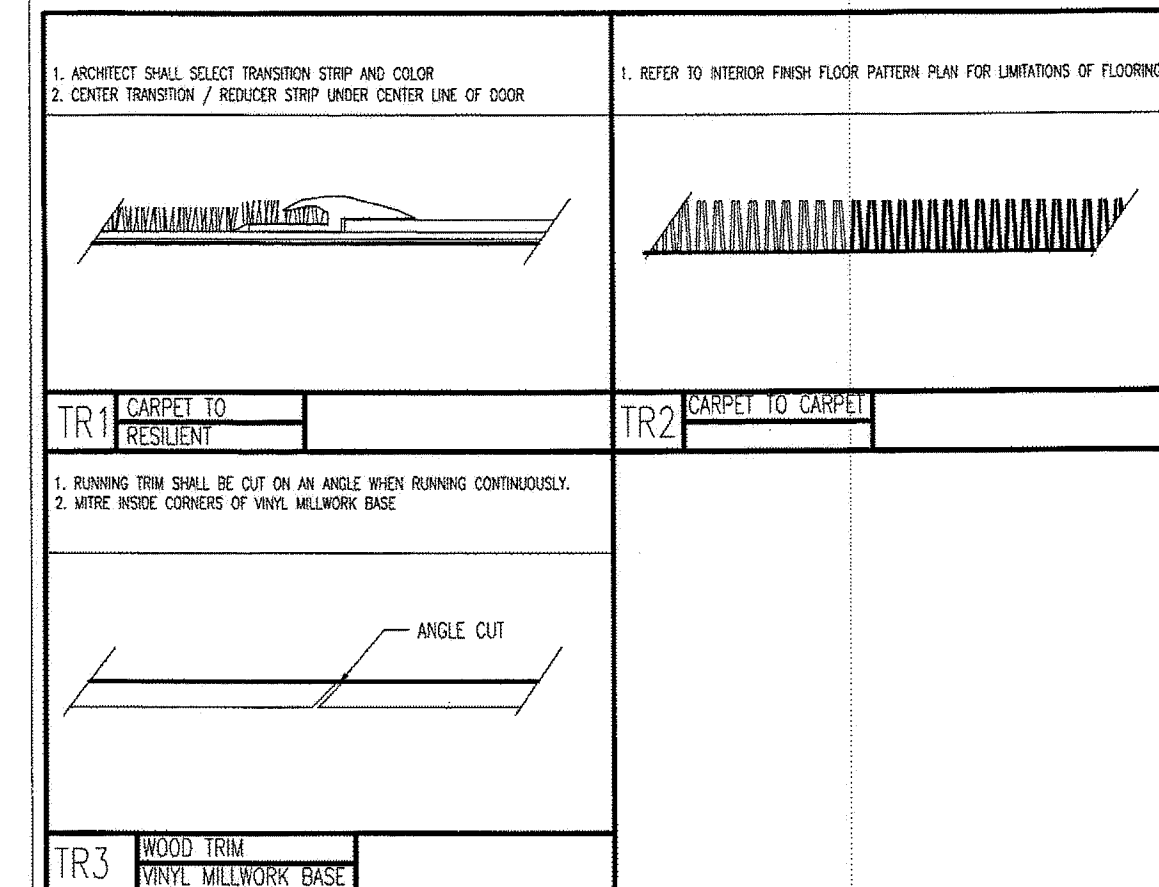
75 STATE STREET- HARBORSIDE SOUTH 4TH FLOOR

ABBREVIATIONS				
C	CARPET	T	TILE	
G	GROUT	TBS	TO BE SELECTED	
N/A	NOT APPLICABLE	VCB	VINYL COVE BASE	
P	PAINT	VCT	VINYL COMPOSITE TILE	
PL	PLASTIC LAMINATE	VSB	VINYL STRAIGHT BASE	
R	RESILIENT/ RUBBER/ RUBBER TREAD	WC	WALL COVERING (VINYL/ PAPER)	
SF	SQUARE FEET	WCB	WALL COVERING BORDER (VINYL/ PAPER)	
SS	SOLID SURFACE/ NATURAL STONE	WD	WOOD	
SYD	SQUARE YARD(S)			

CODE	MATERIAL	MANUFACTURER	PRODUCT, STYLE AND COLOR	FINISH	REMARKS/ NOTES
C1	CARPET	MONTEREY CARPET	STYLE: 57040 CLASSIC FILIGREE, COLOR: 00823 DISC JOCKEY		
C2	CARPET	PHILADELPHIA CARPET	STYLE: 54130 WIDE OPEN, COLOR: 30110 NUBIAN		
R1	RESILIENT FLOORING	CONGOLEUM	ENDURANCE PLANK, CINNAMON, EK-02-6, 6" PLANK		
VCB1	VINYL COVE BASE	JOHNSONITE	MILLWORK CONTOURED WALL BASE, AMBASSADOR, MW-57-K, COLOR- 57 FLAXEN		
VCB1	VINYL COVE BASE	JOHNSONITE	4" COVE BASE, COLOR- 57 FLAXEN		
P1	PAINT	SHERWIN WILLIAMS	SW6133, MUSLIN	SEMI-GLOSS TRIM	
P2	PAINT	SHERWIN WILLIAMS	SW6136, HARMONIC TAN	SATIN DOORS	
P3	PAINT	SHERWIN WILLIAMS	SW6134, NETSUKE	SATIN NEUTRAL	
P4	PAINT	SHERWIN WILLIAMS	SW6026, RIVER ROUGE	SATIN ACCENT	
P5	PAINT	SHERWIN WILLIAMS	SW7692, CUPOLA YELLOW	SATIN UNIT KITCHEN, LIVING ROOM, DINING ROOM	
P6	PAINT	SHERWIN WILLIAMS	SW7732, LEMONGRASS	SATIN UNIT BEDROOM	
P7	PAINT	SHERWIN WILLIAMS	SW6213, HALCYON GREEN	SATIN UNIT BATH	
P8	PAINT	SHERWIN WILLIAMS	SW7686, HINOKI	SATIN UNIT BEDROOM 2	
WC1	WALLCOVERING	WOLF GORDON	REVERIE, TYPE II VINYL WALL FABRIC, 54IN WIDE, COLOR: REV 5-8255 FOLLY		
PL1	PLASTIC LAMINATE	PIONITE	AV-921 ADRIATIC TAPESTRY	LOUNGE COUNTERTOP	
PL2	PLASTIC LAMINATE	FORMICA	7732-46 BUTTERUM GRANITE	UNIT KITCHEN	
PL3	PLASTIC LAMINATE	FORMICA	7265-77 SAND STONE	UNIT BATH	

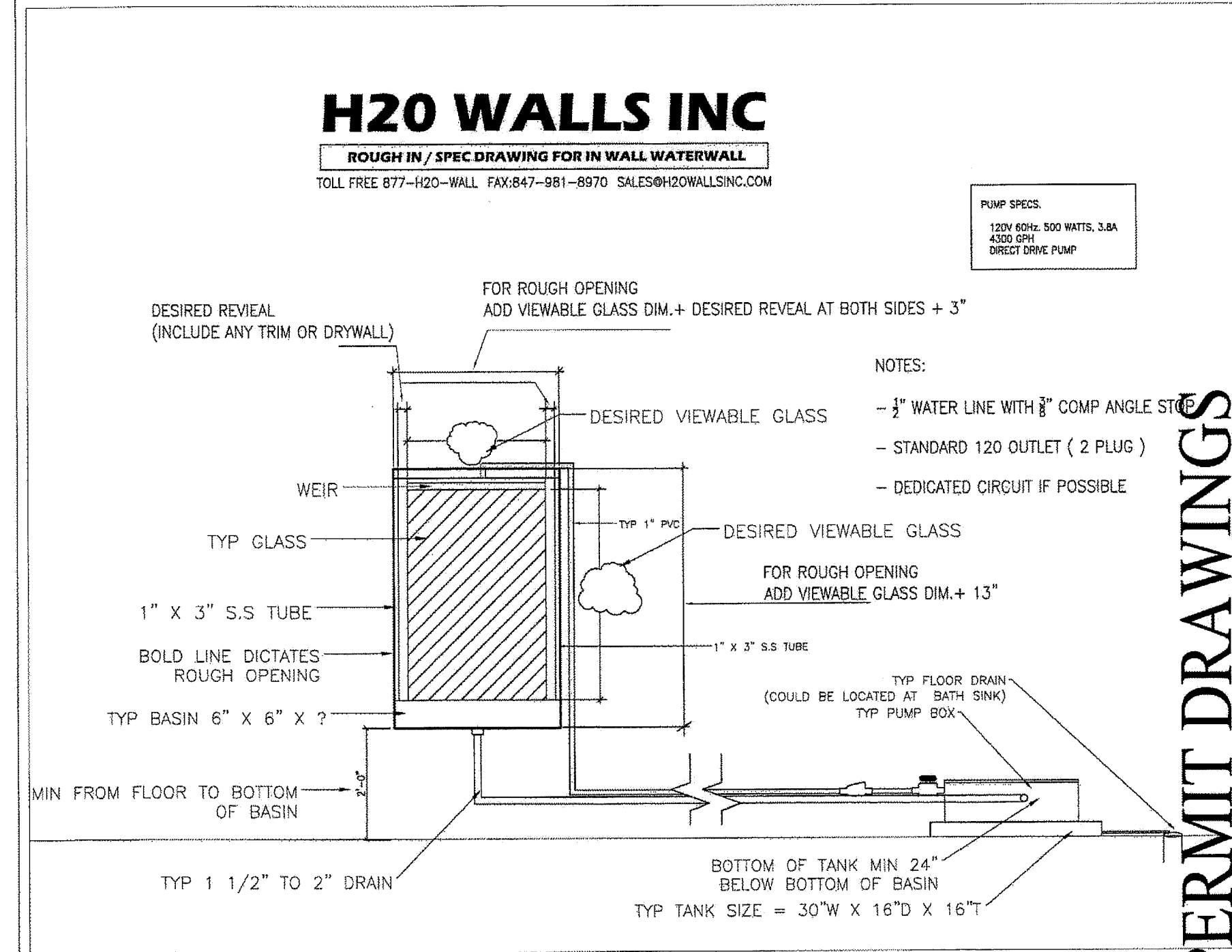
H11 FINISH LEGEND

NTS



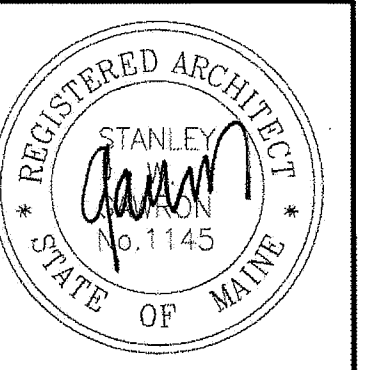
A11 TRANSITION DETAILS

NTS



A15 TYPICAL ROUGHIN GUIDE

FOR INTENT ONLY, REFER TO MANUFACTURER FOR CUSTOMED DESIGN INSTALLATION



GAWRON TURGEON ARCHITECTS
29 Black Point Road
Scarborough, ME 04074
www.gawronturgeon.com
Tel. 207 . 883 . 6307
Fax. 207 . 883 . 0361

SEVENTY-FIVE STATE STREET
SOUTH HARBORSIDE FOURTH FLOOR RENOVATIONS
PORTLAND MAINE

REVISIONS	
#	DESCRIPTION

DATE:	9/5/07
PROJECT #	010106
DRAWN BY:	RLA
CHECKED BY:	MET
DRAWING SCALE:	AS NOTED

SHEET TITLE
FINISH LEGEND AND SCHEDULE

A941

© COPYRIGHT 1985-2003
REPRODUCTION OR RESALE OF
THIS DOCUMENT WITHOUT THE
WRITTEN PERMISSION OF
GAWRON ARCHITECTS IS PROHIBITED