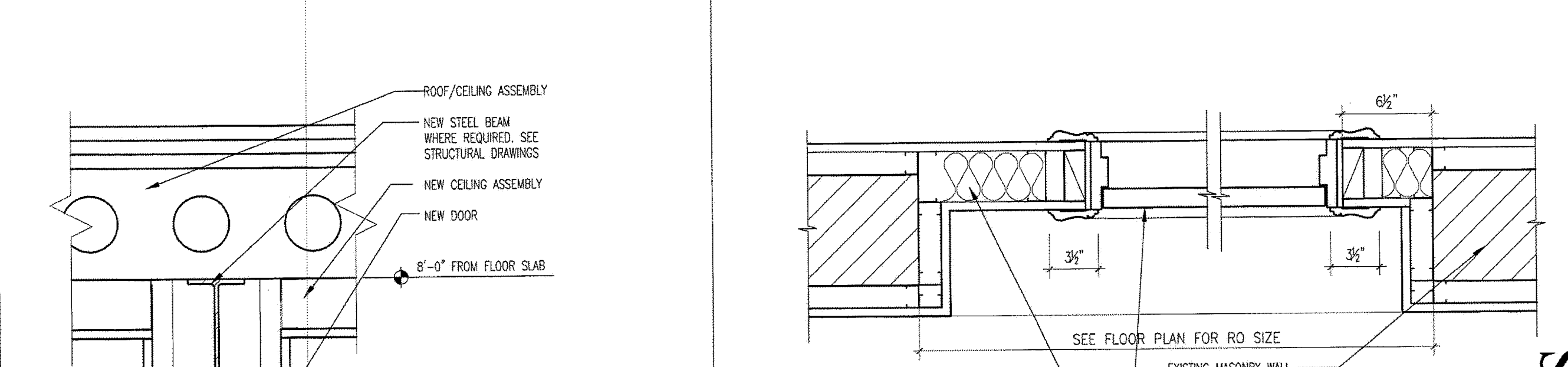
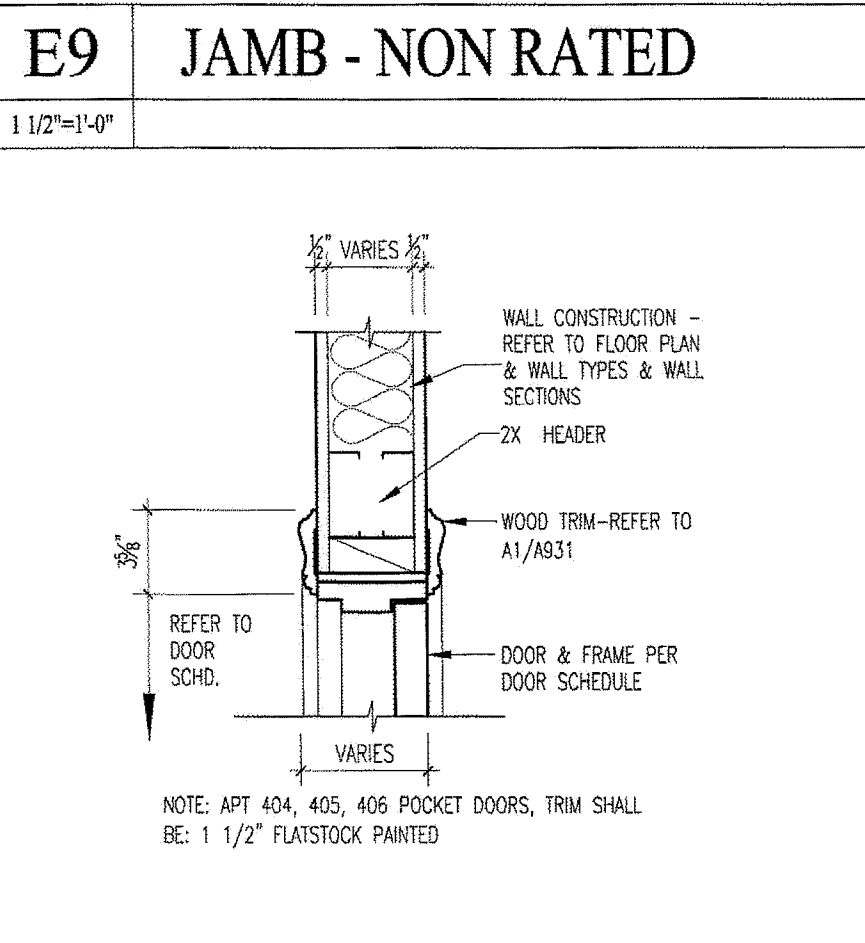
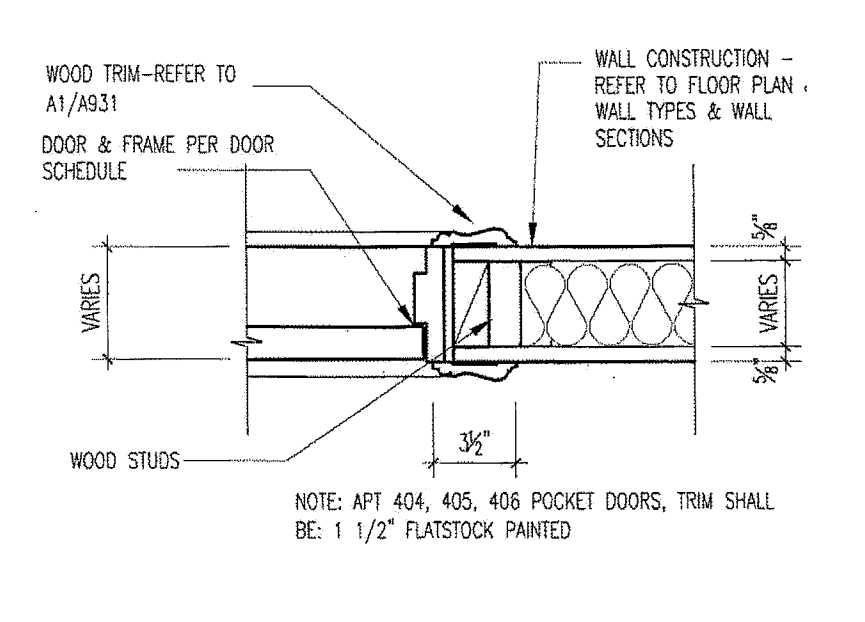
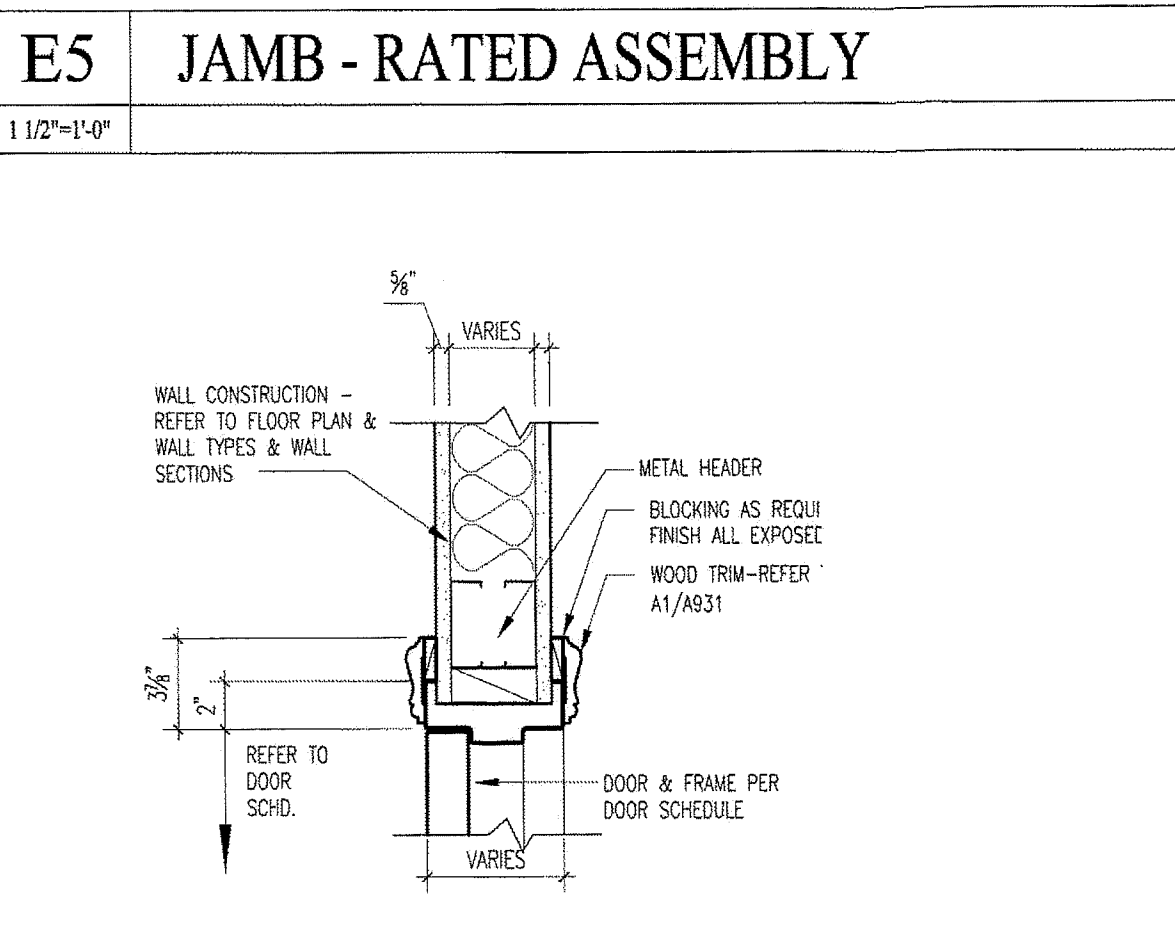
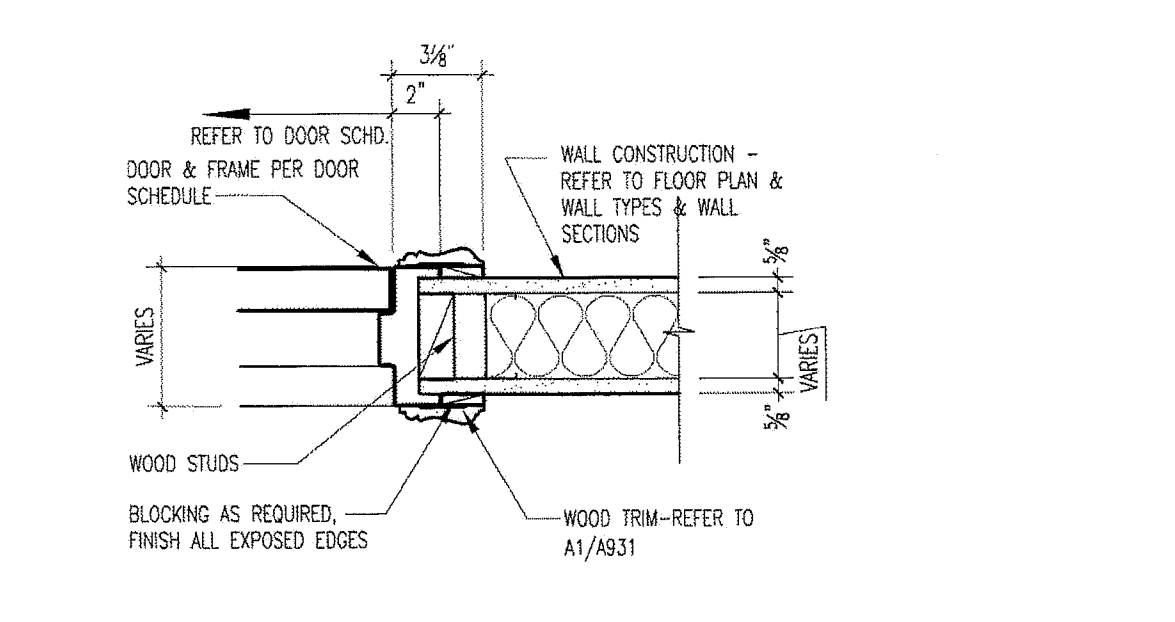
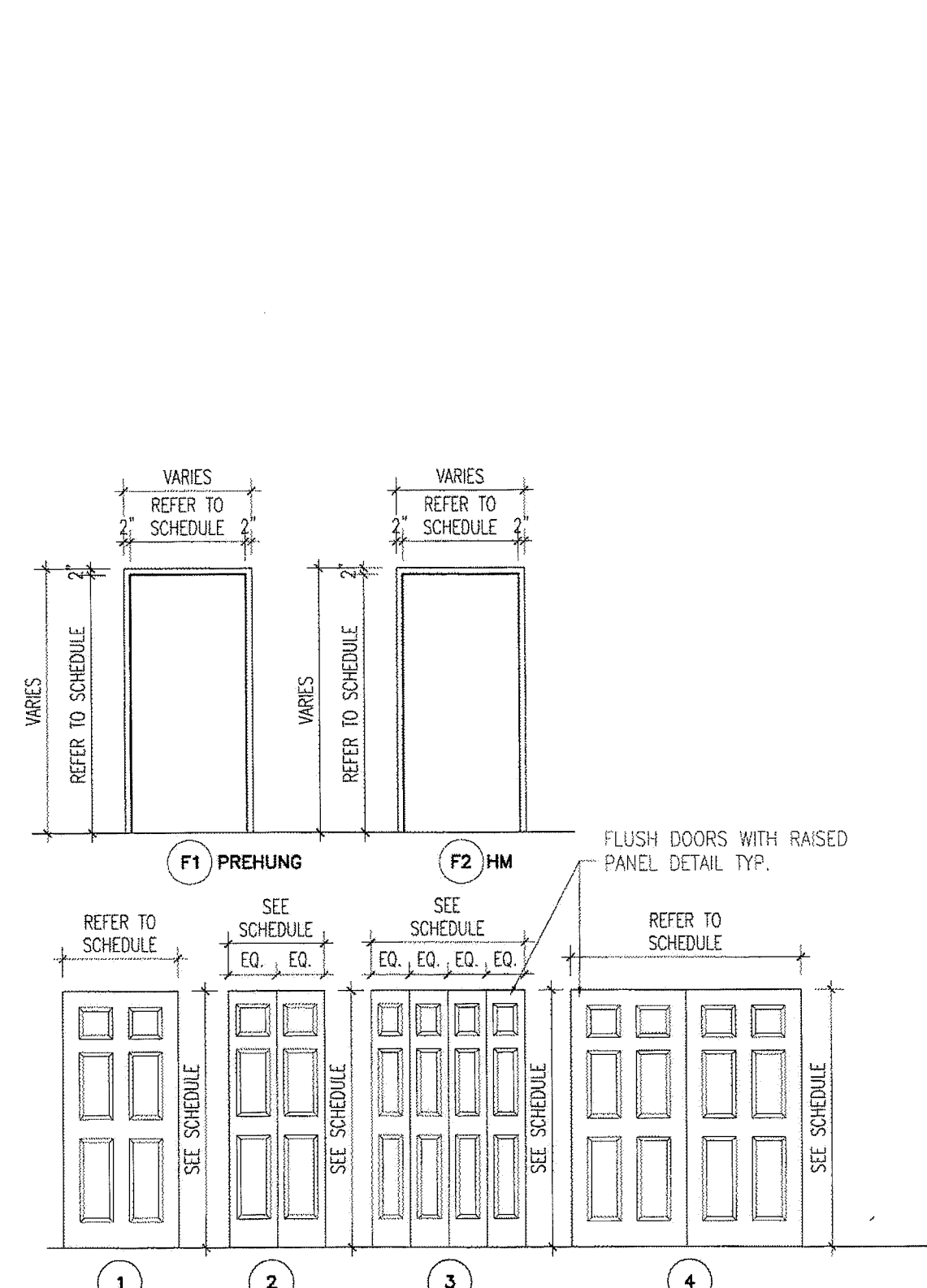
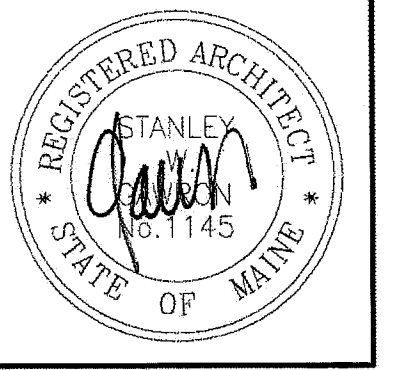


R  
Q  
P  
O  
N  
M  
L  
K  
J  
I  
H  
G  
F  
E  
D  
C  
B  
A

DOOR SCHEDULE										DOOR SCHEDULE ABBREVIATIONS						
										EHO	NO	NUMBER	WD	WOOD (SOLID)		
										HM	ES	ELECTRIC STRIKE	WG	WIRE GLASS		
										NS	TMP	TEMPERED	S	STAIN		
										MTL	THK	THICKNESS	P	PAINT		
DOORS						FRAMES				SILL CONDITION		RATING		DOORS		
NO	TYPE	SIZE	THK.	MAT.	FINISH	REMARKS	TYPE	MAT.	FINISH	REMARKS	MAT.	DETAILS	HEIGHT	NO		
											HEAD	JAMB				
400A		3'-0" X 6'-8"			REPAINT	EXISTING				REPAINT	EXISTING			2 HR	400A	
401A	1	3'-0" X 6'-8"	1-3/4"	SOWD	PAINT		F2	HM	A5	E5	PAINT			45 MIN	401A	
401B	1	3'-0" X 6'-8"	1-3/8"	VD	PAINT		F1	VD	A9	E9	PAINT				401B	
401C	2	3'-0" X 6'-8"	1-3/8"	VD	PAINT	BIFOLD	F1	VD	A9	E9	PAINT				401C	
401D	2	3'-0" X 6'-8"	1-3/8"	VD	PAINT	BIFOLD	F1	VD	A9	E9	PAINT				401D	
401E	1	2'-8" X 6'-8"	1-3/8"	VD	PAINT	POCKET	F1	VD	A9	E9	PAINT				401E	
402A	1	3'-0" X 6'-8"	1-3/4"	SOWD	PAINT		F2	HM	A5	E5	PAINT			45 MIN	402A	
402B	1	2'-0" X 6'-8"	1-3/8"	VD	PAINT		F1	VD	A9	E9	PAINT				402B	
402C	1	3'-0" X 6'-8"	1-3/8"	VD	PAINT		F1	VD	A12	A16	PAINT				402C	
402D	2	(2)2'-0" X 6'-8"	1-3/8"	VD	PAINT	BIFOLD	F1	VD	A9	E9	PAINT				402D	
402E	1	2'-8" X 6'-8"	1-3/8"	VD	PAINT	POCKET	F1	VD	A9	E9	PAINT				402E	
403A	1	3'-0" X 6'-8"	1-3/4"	SOWD	PAINT		F2	HM	A5	E5	PAINT			45 MIN	403A	
403B	1	2'-0" X 6'-8"	1-3/8"	VD	PAINT		F1	VD	A9	E9	PAINT				403B	
403C	2	(2)2'-6" X 6'-8"	1-3/8"	VD	PAINT	BIFOLD	F1	VD	A9	E9	PAINT				403C	
403D	1	2'-8" X 6'-8"	1-3/8"	VD	PAINT		F1	VD	A9	E9	PAINT				403D	
403E	3	(2)2'-0" X 6'-8"	1-3/8"	VD	PAINT	BIFOLD	F1	VD	A9	E9	PAINT				403E	
403F	1	2'-8" X 6'-8"	1-3/8"	VD	PAINT		F1	VD	A9	E9	PAINT				403F	
403G	1	2'-8" X 6'-8"	1-3/8"	VD	PAINT		F1	VD	A9	E9	PAINT				403G	
403H	3	(2)2'-0" X 6'-8"	1-3/8"	VD	PAINT	BIFOLD	F1	VD	A9	E9	PAINT				403H	
403J	3	(2)2'-0" X 6'-8"	1-3/8"	VD	PAINT	BIFOLD	F1	VD	A9	E9	PAINT				403J	
404A	1	3'-0" X 6'-8"	1-3/4"	SOWD	PAINT		F2	HM	A5	E5	PAINT			45 MIN	404A	
404B	2	2'-8" X 6'-8"	1-3/8"	VD	PAINT	BIFOLD	F1	VD	A12	A16	PAINT				404B	
404C	1	2'-8" X 6'-8"	1-3/8"	VD	PAINT		F1	VD	A9	E9	PAINT				404C	
404D	1	2'-8" X 6'-8"	1-3/8"	VD	PAINT	POCKET	F1	VD	A9	E9	PAINT				404D	
404E	2	(2)2'-6" X 6'-8"	1-3/8"	VD	PAINT	BIFOLD	F1	VD	A9	E9	PAINT				404E	
405A	1	3'-0" X 6'-8"	1-3/4"	SOWD	PAINT		F2	HM	A5	E5	PAINT			45 MIN	405A	
405B	1	2'-8" X 6'-8"	1-3/8"	VD	PAINT		F1	VD	A9	E9	PAINT				405B	
405C	1	2'-8" X 6'-8"	1-3/8"	VD	PAINT	POCKET	F1	VD	A9	E9	PAINT				405C	
405D	2	(2)2'-6" X 6'-8"	1-3/8"	VD	PAINT	BIFOLD	F1	VD	A9	E9	PAINT				405D	
406A	1	3'-0" X 6'-8"	1-3/4"	SOWD	PAINT		F2	HM	A5	E5	PAINT			45 MIN	406A	
406B	1	2'-8" X 6'-8"	1-3/8"	VD	PAINT		F1	VD	A9	E9	PAINT				406B	
406C	1	2'-8" X 6'-8"	1-3/8"	VD	PAINT	POCKET	F1	VD	A9	E9	PAINT				406C	
406D	2	(2)2'-6" X 6'-8"	1-3/8"	VD	PAINT	BIFOLD	F1	VD	A9	E9	PAINT				406D	
408A	3	(2)2'-0" X 6'-8"	1-3/8"	VD	PAINT	BIFOLD	F1	VD	A9	E9	PAINT				408A	
408A	1	3'-0" X 6'-8"	1-3/8"	VD	PAINT		F1	VD	A9	E9	PAINT				408A	
414A		3'-0" X 6'-8"			REPAINT	EXISTING				REPAINT	EXISTING			2 HR	414A	
414B											EXISTING				414B	
417A	1	3'-0" X 6'-8"	1-3/4"	SOWD	PAINT		F1	VD	A5	E5	PAINT			45 MIN	417A	



A1	DOOR & FRAME TYPES	A5	DOOR HEAD - RATED	A9	DOOR HEAD - NON RATED	A12	DOOR HEAD DETAIL	A16	DOOR HEAD DETAIL
1/4"=1'-0"		1 1/2"=1'-0"		1 1/2"=1'-0"		1 1/2"=1'-0"		1 1/2"=1'-0"	



**GAWRON TURGEON ARCHITECTS**  
 29 Black Point Road  
 Scarborough, ME 04074  
 www.gawronturgeon.com  
 Tel. 207. 883. 6307  
 Fax. 207. 883. 0361

SEVENTY-FIVE STATES STREET  
 SOUTH HARBORSIDE FOURTH FLOOR RENOVATIONS  
 PORTLAND MAINE

REVISIONS	
#	DATE DESCRIPTION

DATE:	9/5/07
PROJECT #	010106
DRAWN BY:	KW
CHECKED BY:	KW
DRAWING SCALE	N.A.

SHEET TITLE  
 DOOR SCHEDULE, TYPES & DETAILS

A801

© COPYRIGHT 1985-2003  
 REPRODUCTION OR USE OF  
 THIS DOCUMENT WITHOUT  
 WRITTEN PERMISSION OF  
 GAWRON ARCHITECTS IS PROHIBITED

PERMIT DRAWINGS