

**GAWRON  
TURGEON  
ARCHITECTS**

29 Black Point Road  
Scarborough, ME 04074  
www.gawronturgeon.com  
Tel. 207. 883. 6307  
Fax. 207. 883. 0361

**SEVENTY-FIVE STATES STREET**  
SOUTH HARBORSIDE, FOURTH FLOOR RENOVATIONS  
PORTLAND MAINE

**REVISIONS**

#	DATE	DESCRIPTION

DATE: 9/5/07

PROJECT #: 010106 ABP

DRAWN BY: RLD

CHECKED BY: VARIES

DRAWING SCALE: VARIES

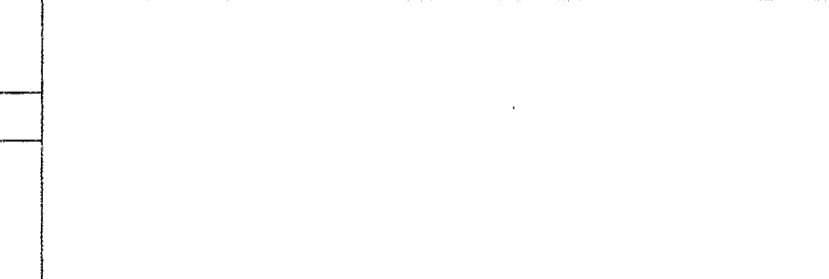
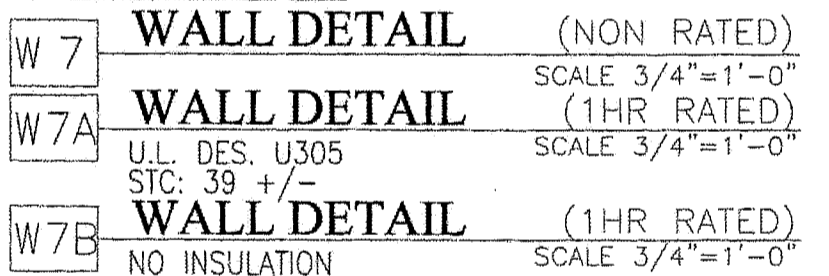
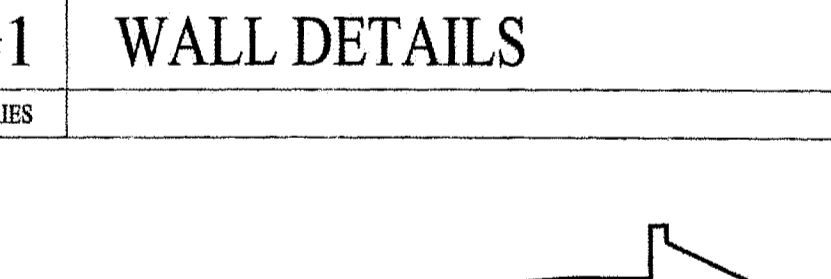
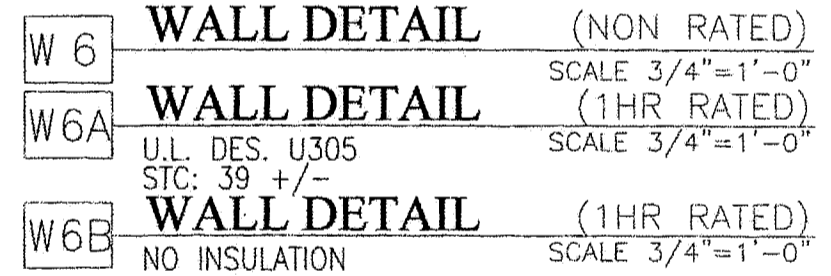
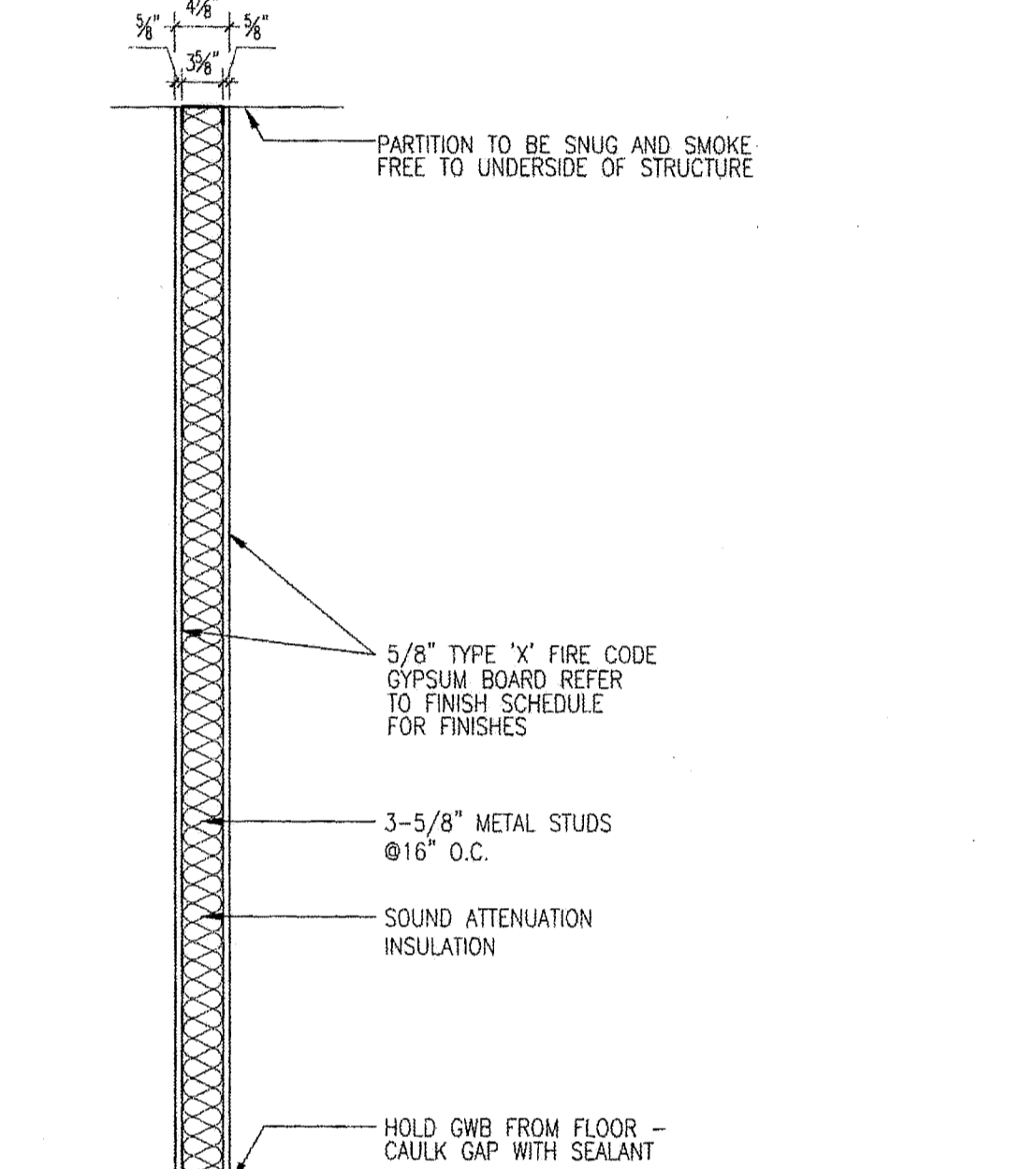
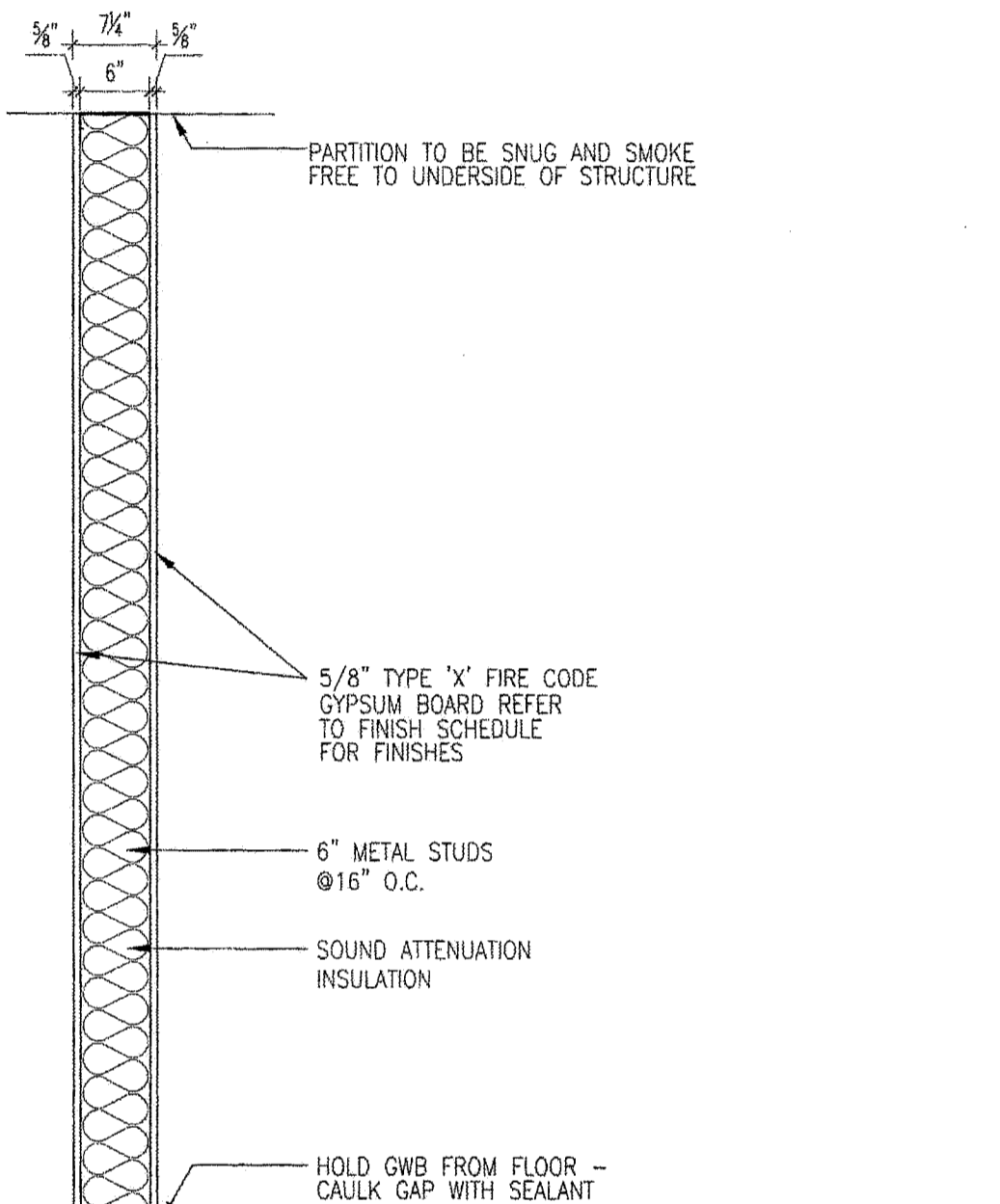
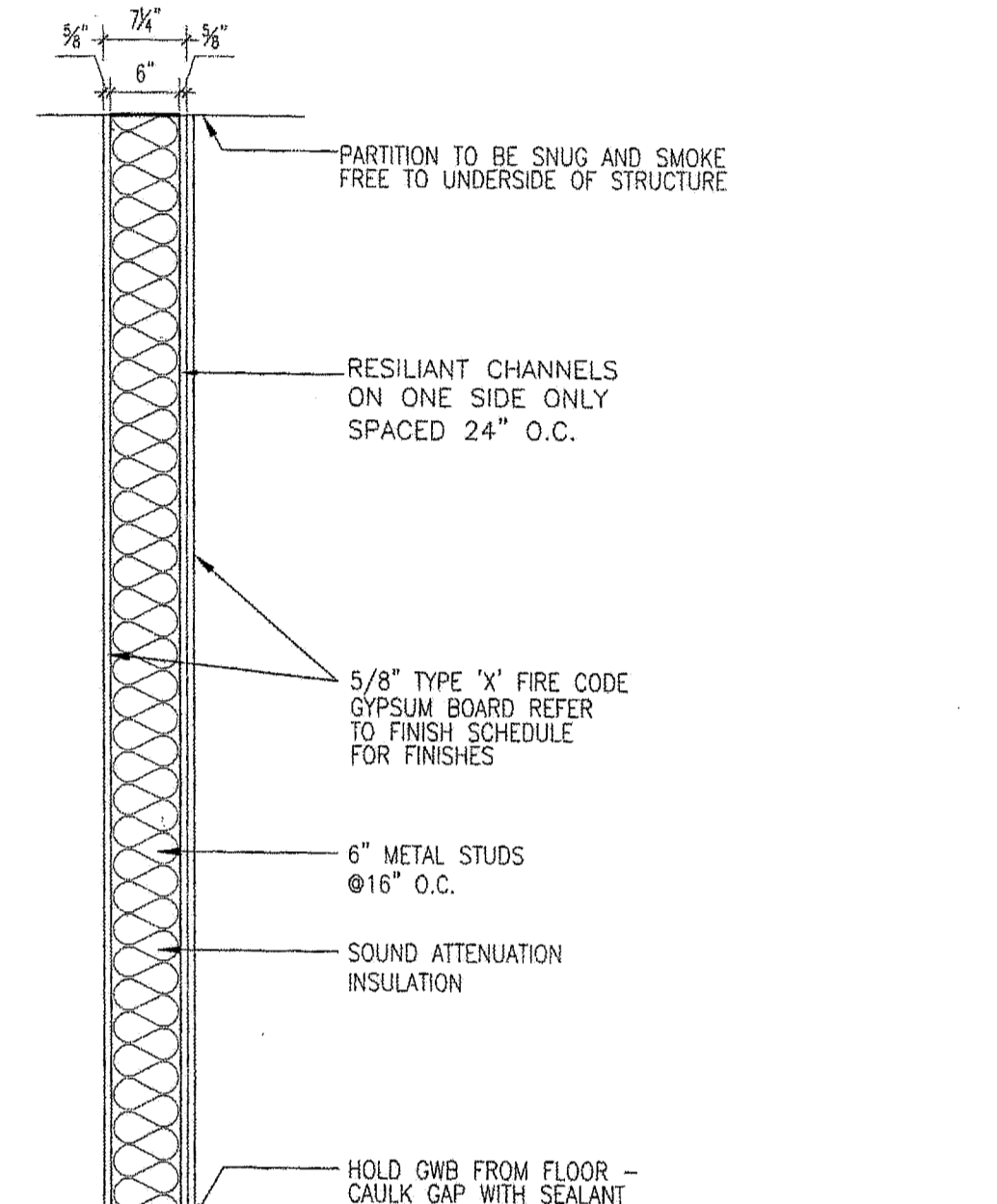
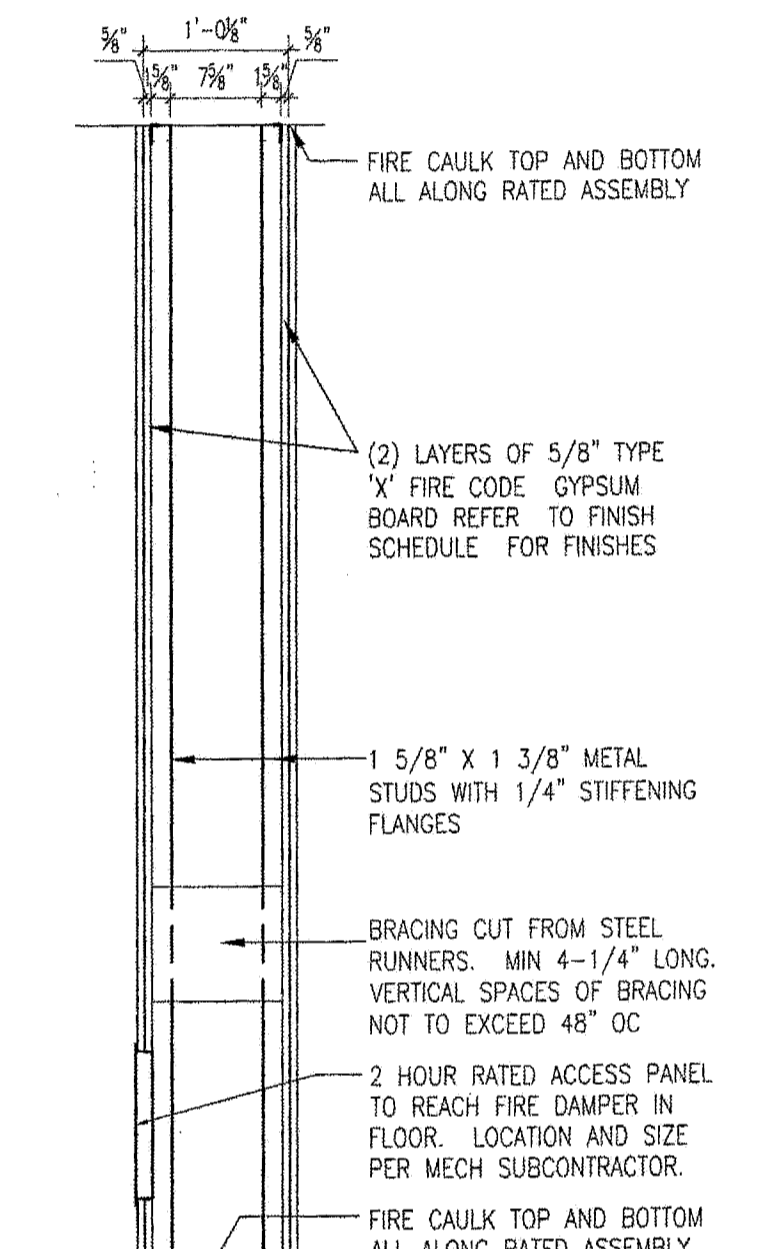
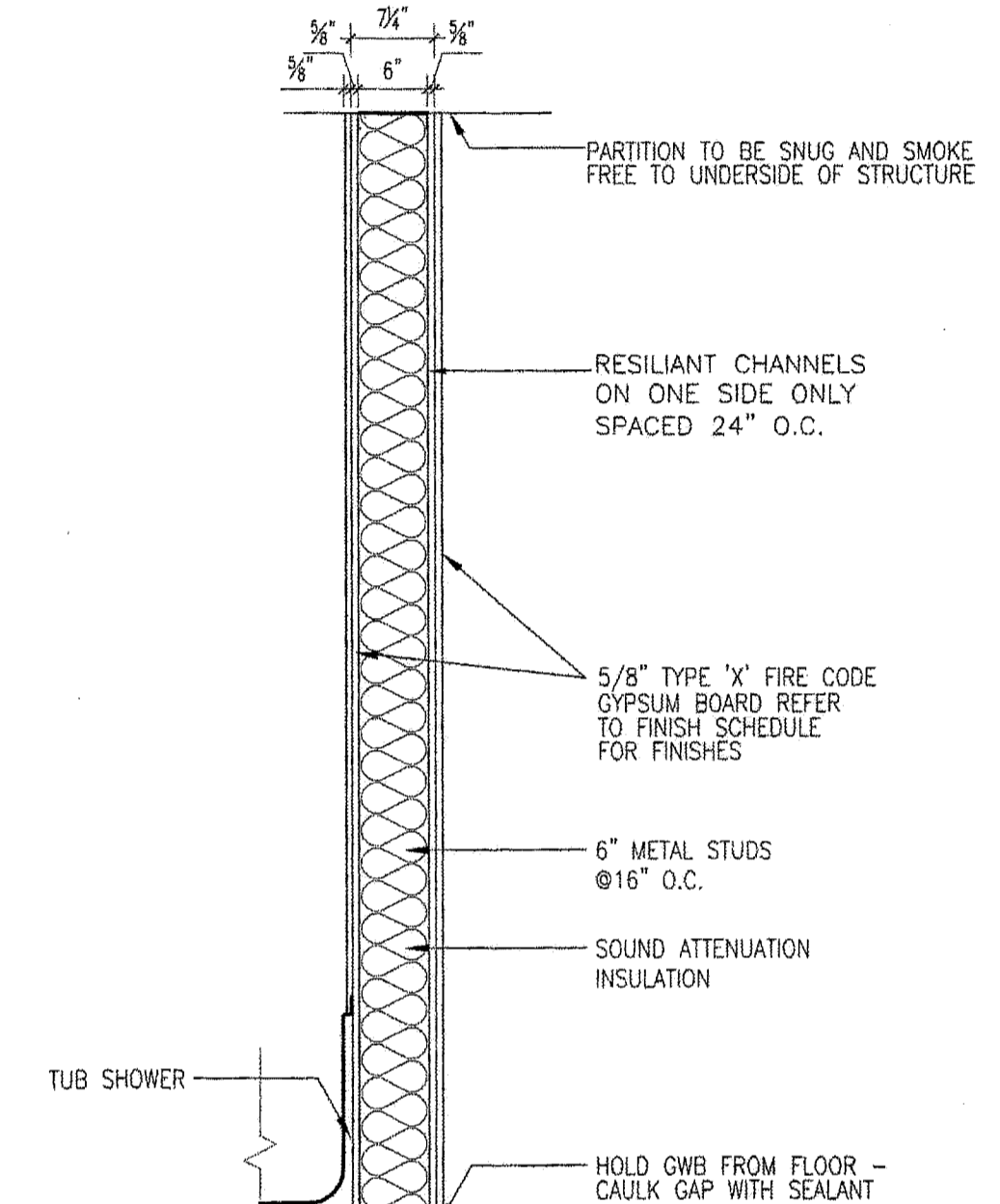
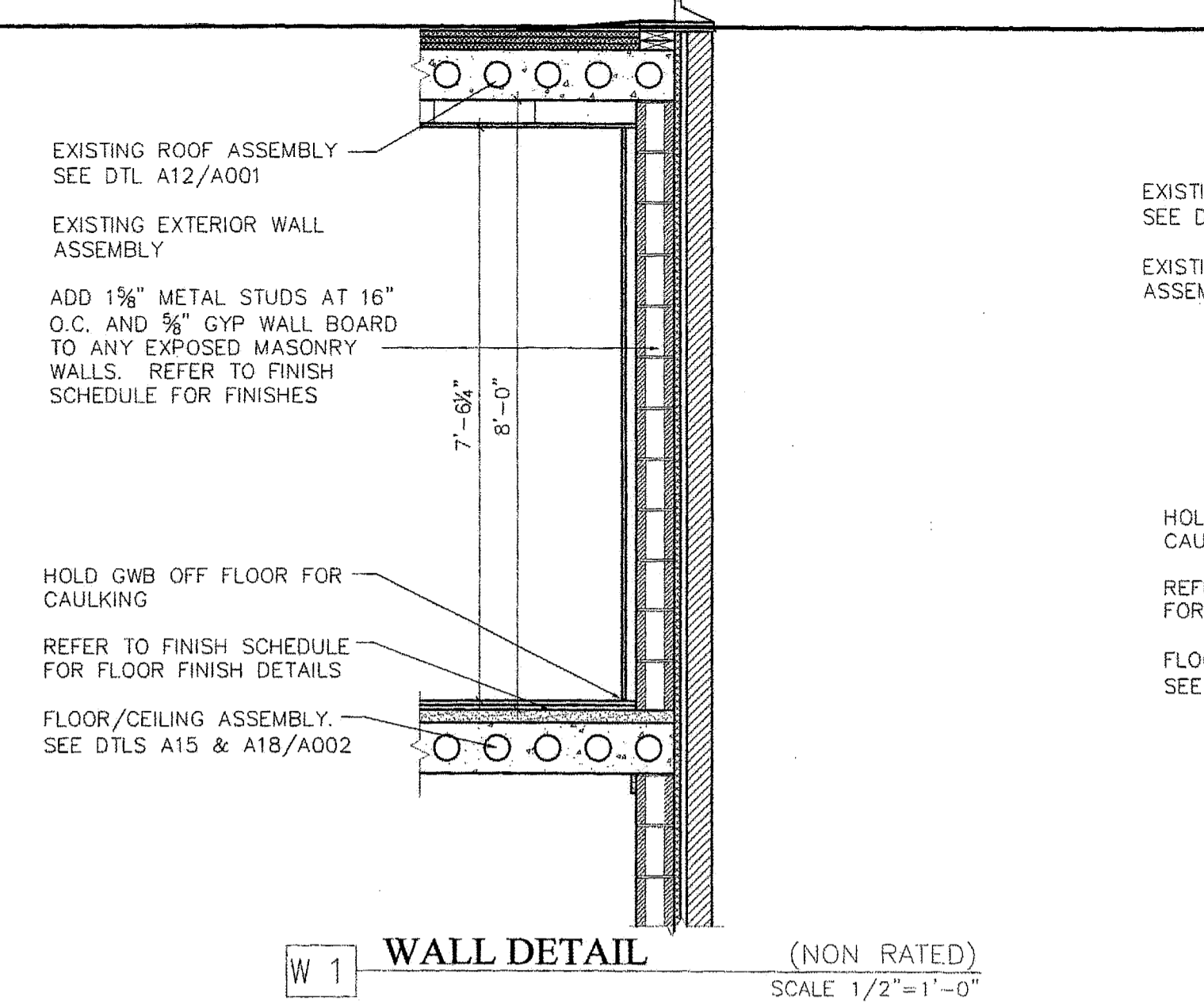
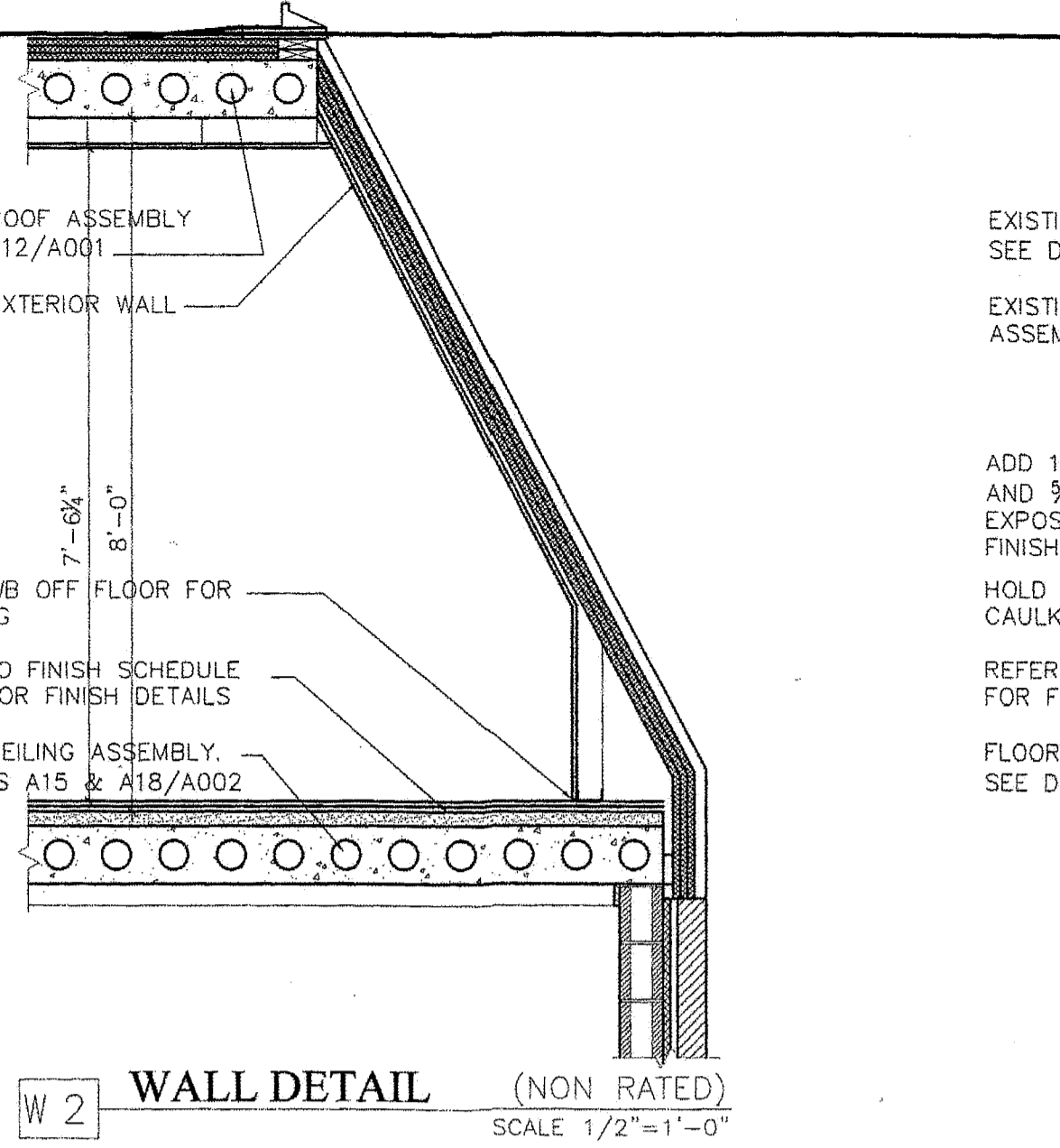
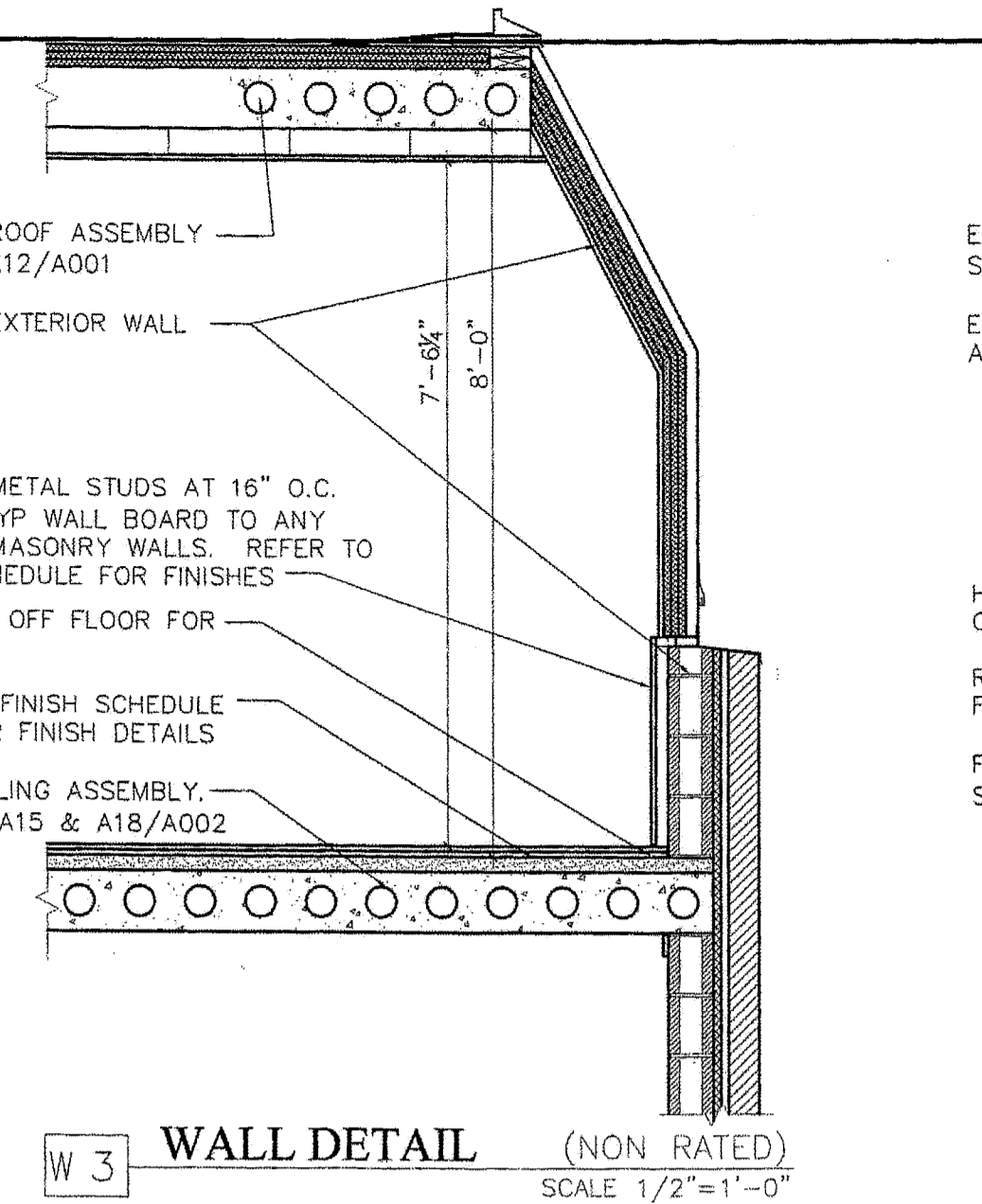
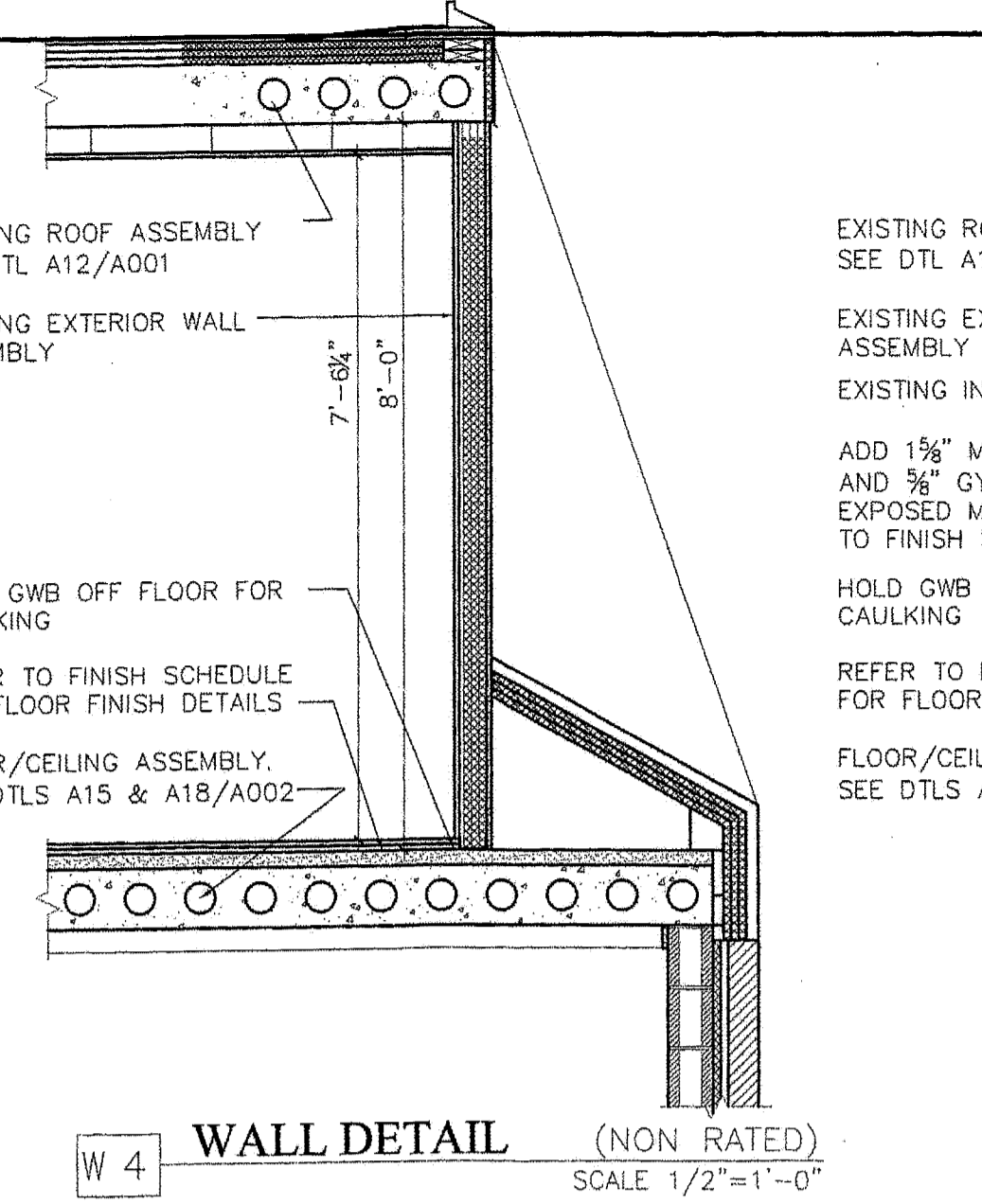
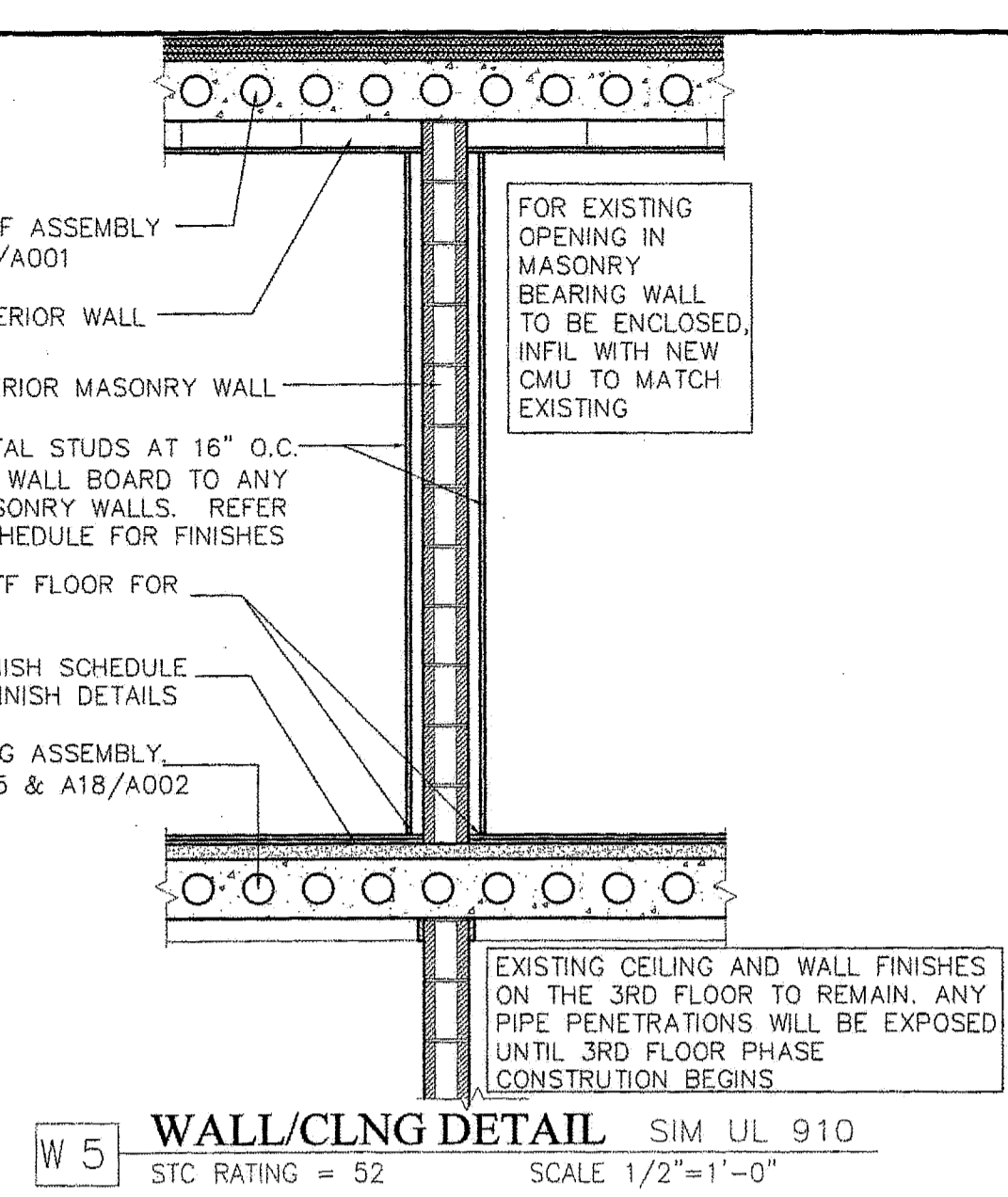
**SHEET TITLE**

PARTITION TYPES & ARCH DETAILS

**A002**

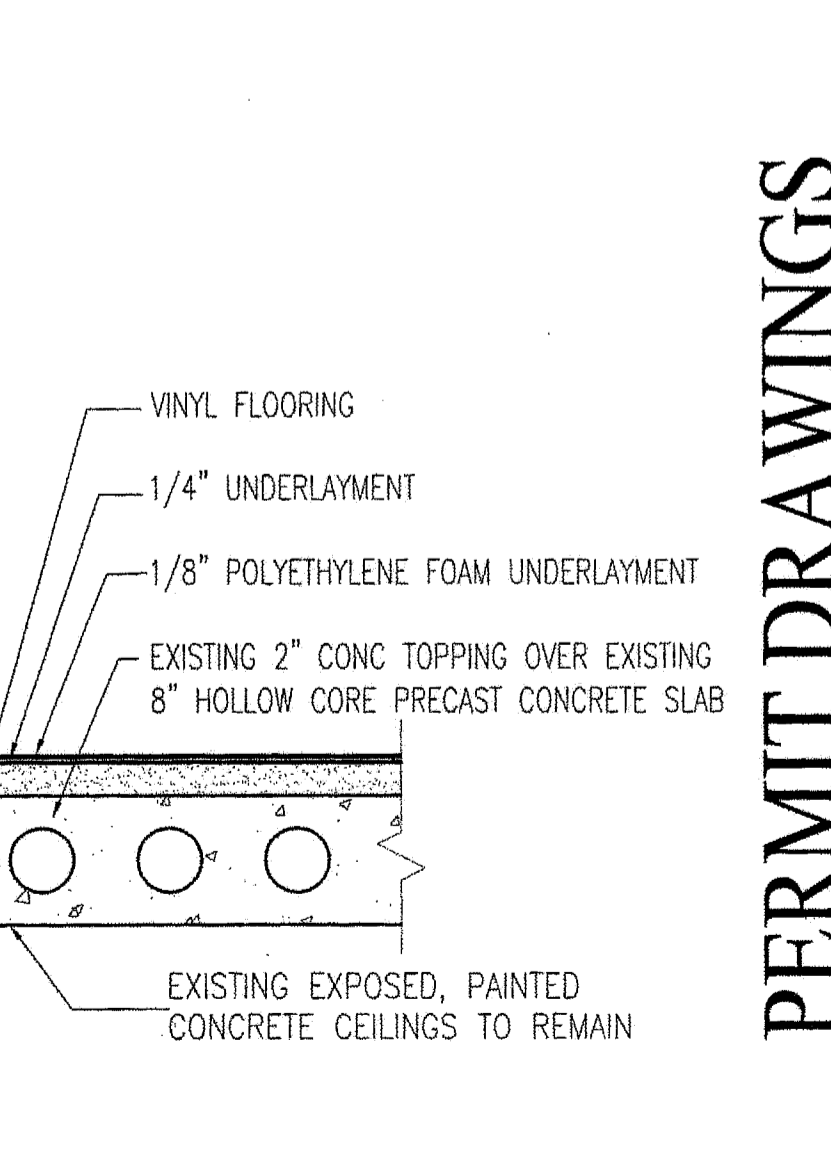
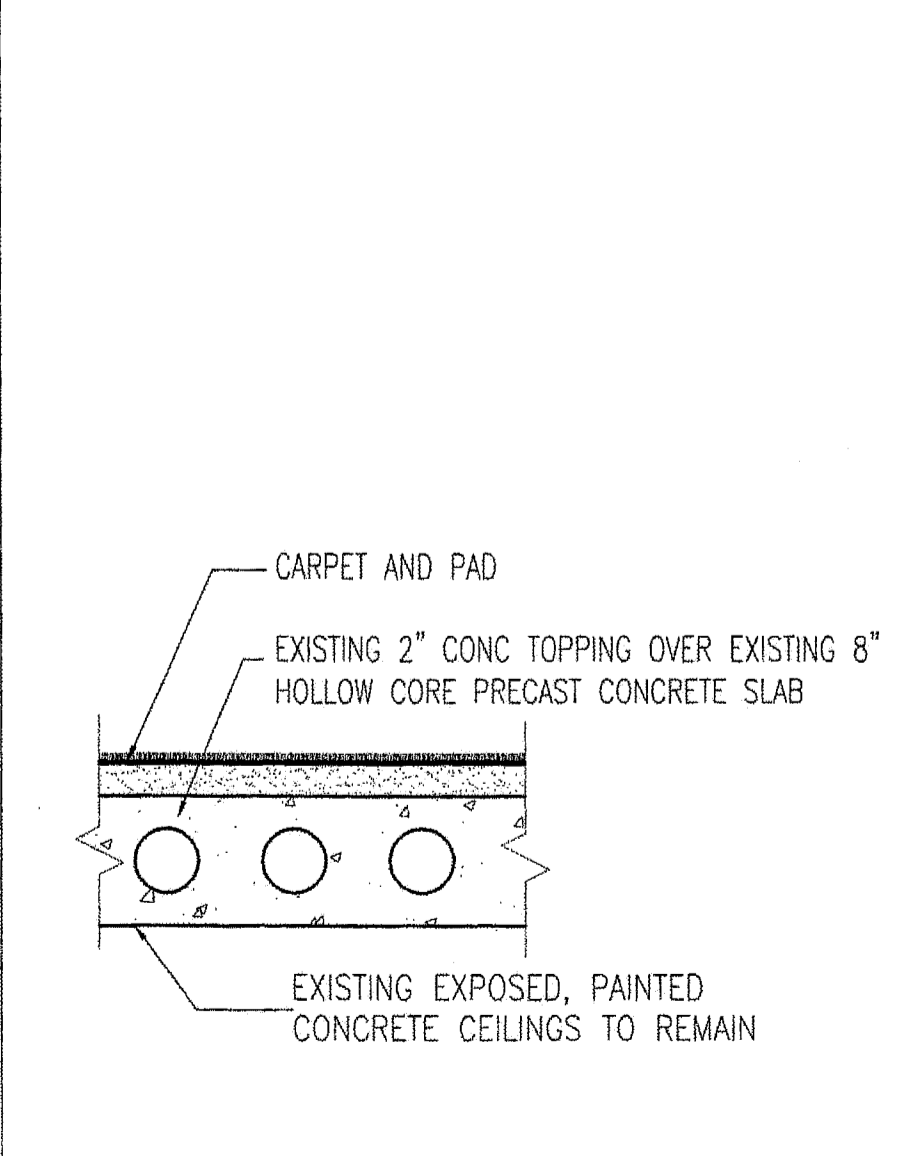
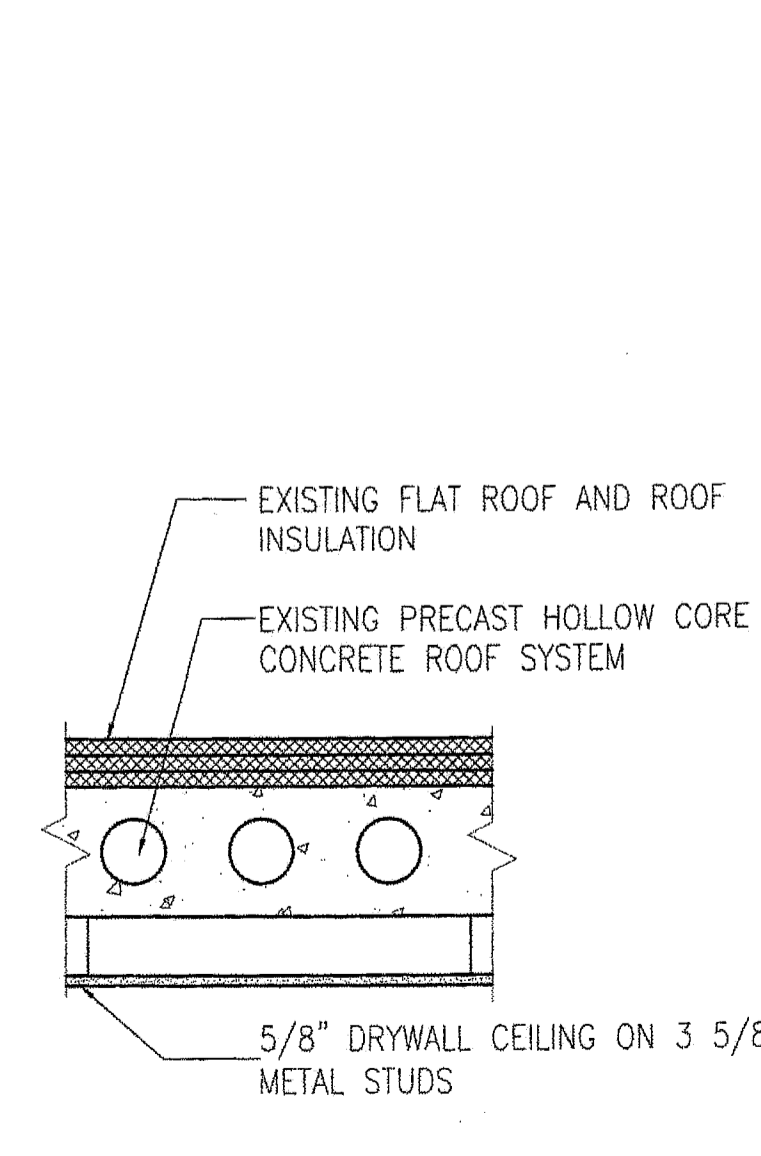
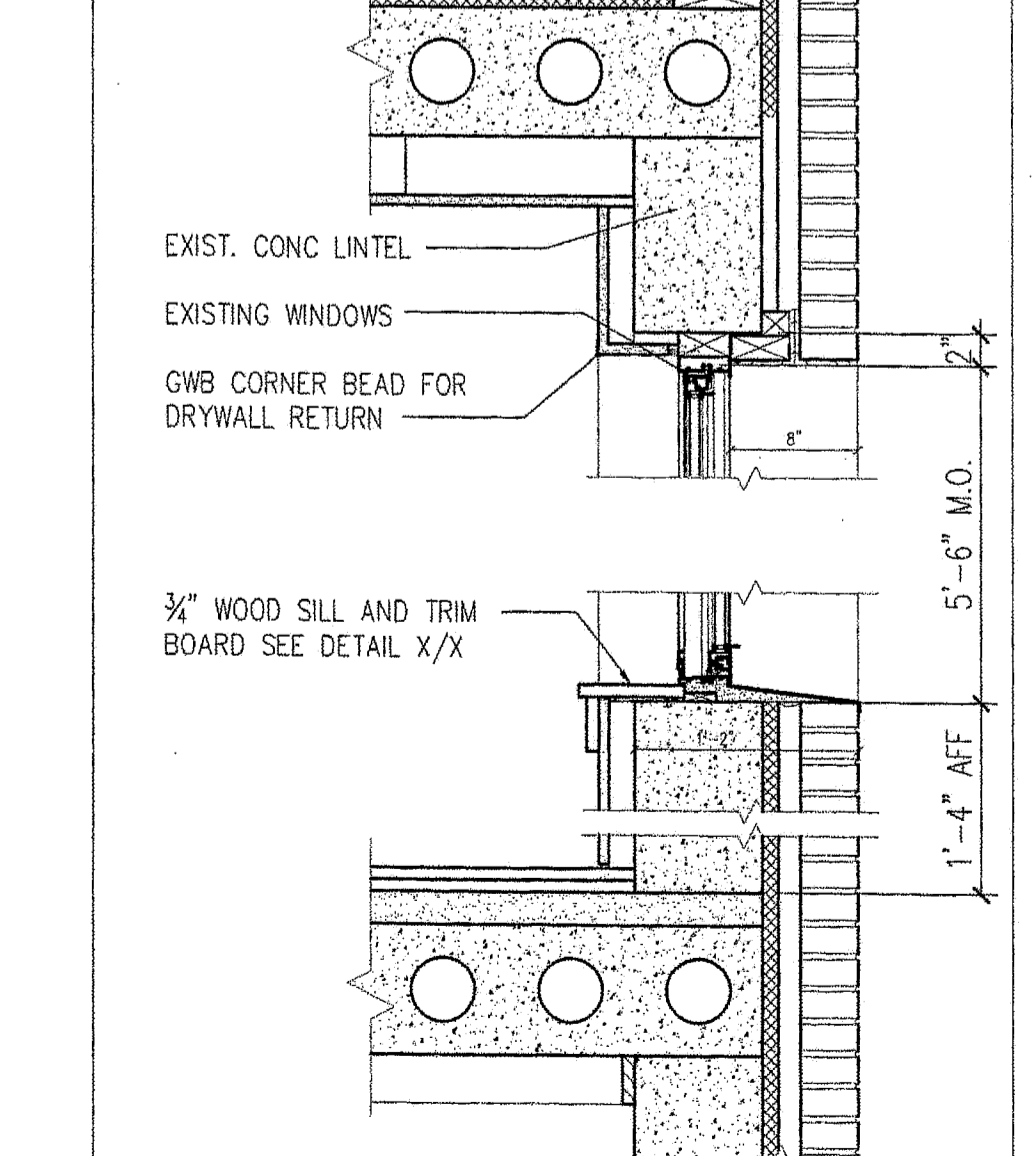
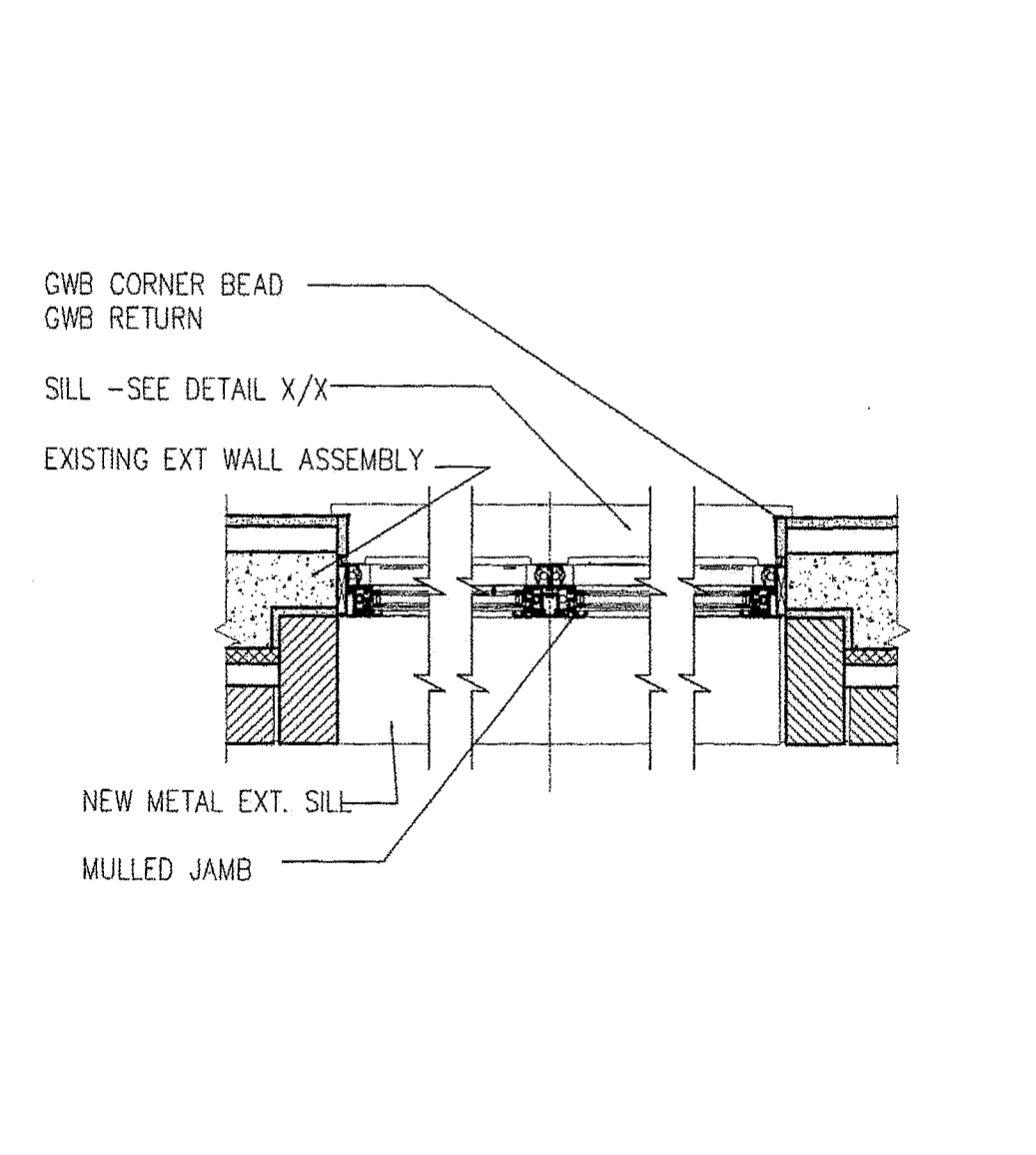
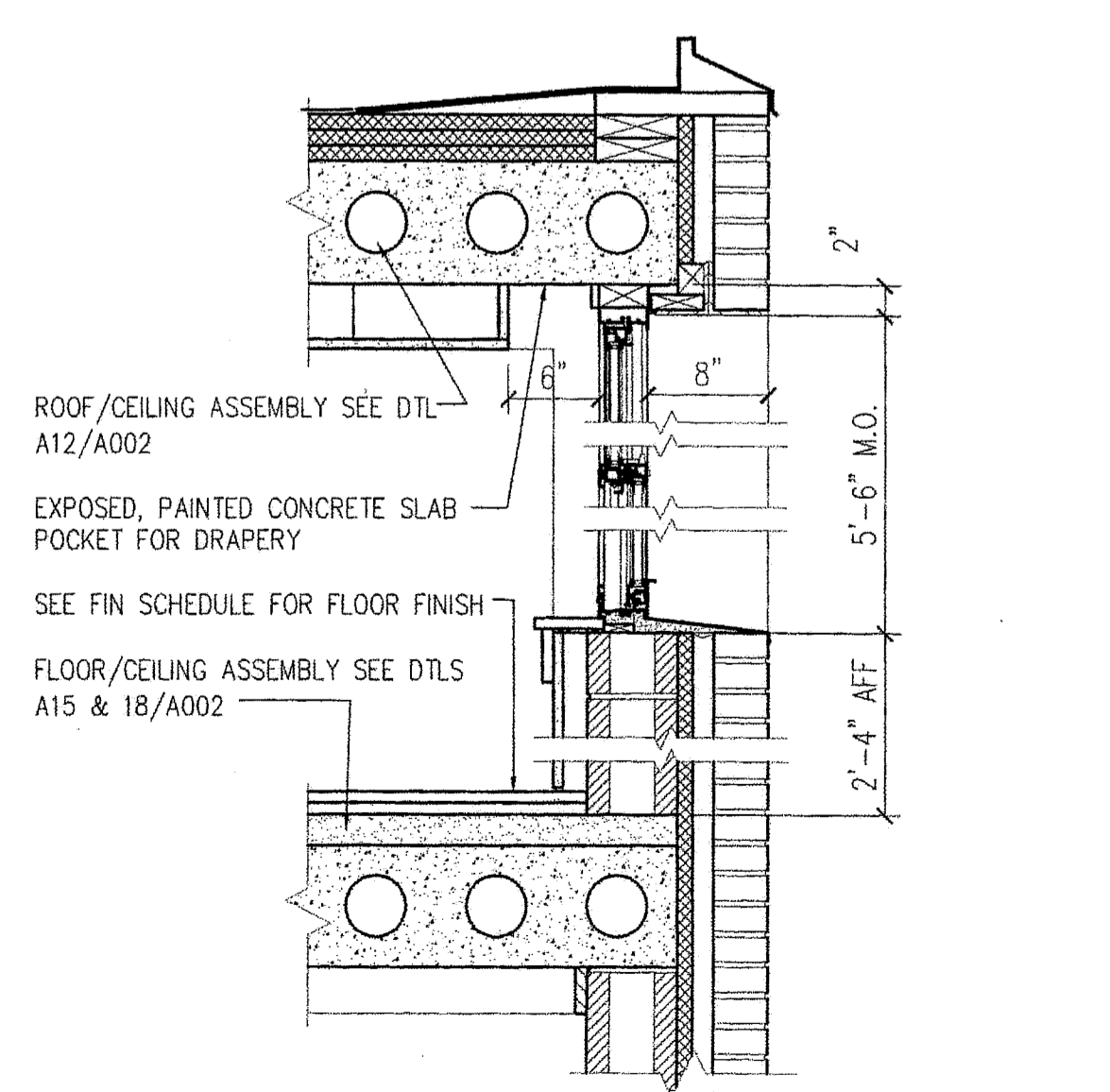
© COPYRIGHT 1985-2003  
REPRODUCTION OR BETTER OF  
THIS DOCUMENT WITHOUT  
WRITTEN PERMISSION OF  
GAWRON ARCHITECTS IS PROHIBITED

**PERMIT DRAWINGS**



**G1 WALL DETAILS**

VARIES



<b>A1</b>	<b>HEAD AND JAMB DETAILS</b>	<b>A5</b>	<b>SILL DETAIL</b>	<b>A9</b>	<b>HEAD AND JAMB DETAILS</b>	<b>A12</b>	<b>ROOF/CEILING ASSEMBLY</b>	<b>A15</b>	<b>FLOOR/CLNG ASSMBLY</b>	<b>A18</b>	<b>FLOOR/CLNG ASSEMBLY</b>
-----------	------------------------------	-----------	--------------------	-----------	------------------------------	------------	------------------------------	------------	---------------------------	------------	----------------------------