

**GAWRON
TURGEON
ARCHITECTS**
29 Black Point Road
Scarborough, ME 04074
www.gawronturgeon.com
Tel. 207-883-6307
Fax. 207-883-0561

SEVENTY-FIVE STATE STREET
SOUTH HARBORSIDE FOURTH FLOOR RENOVATIONS
PORTLAND, MAINE

REVISIONS		
#	DATE	DESCRIPTION

DATE:	9/5/07
PROJECT #:	010106
DRAWN BY:	KW
CHECKED BY:	
DRAWING SCALE:	3/16"=1'-0"

SHEET TITLE

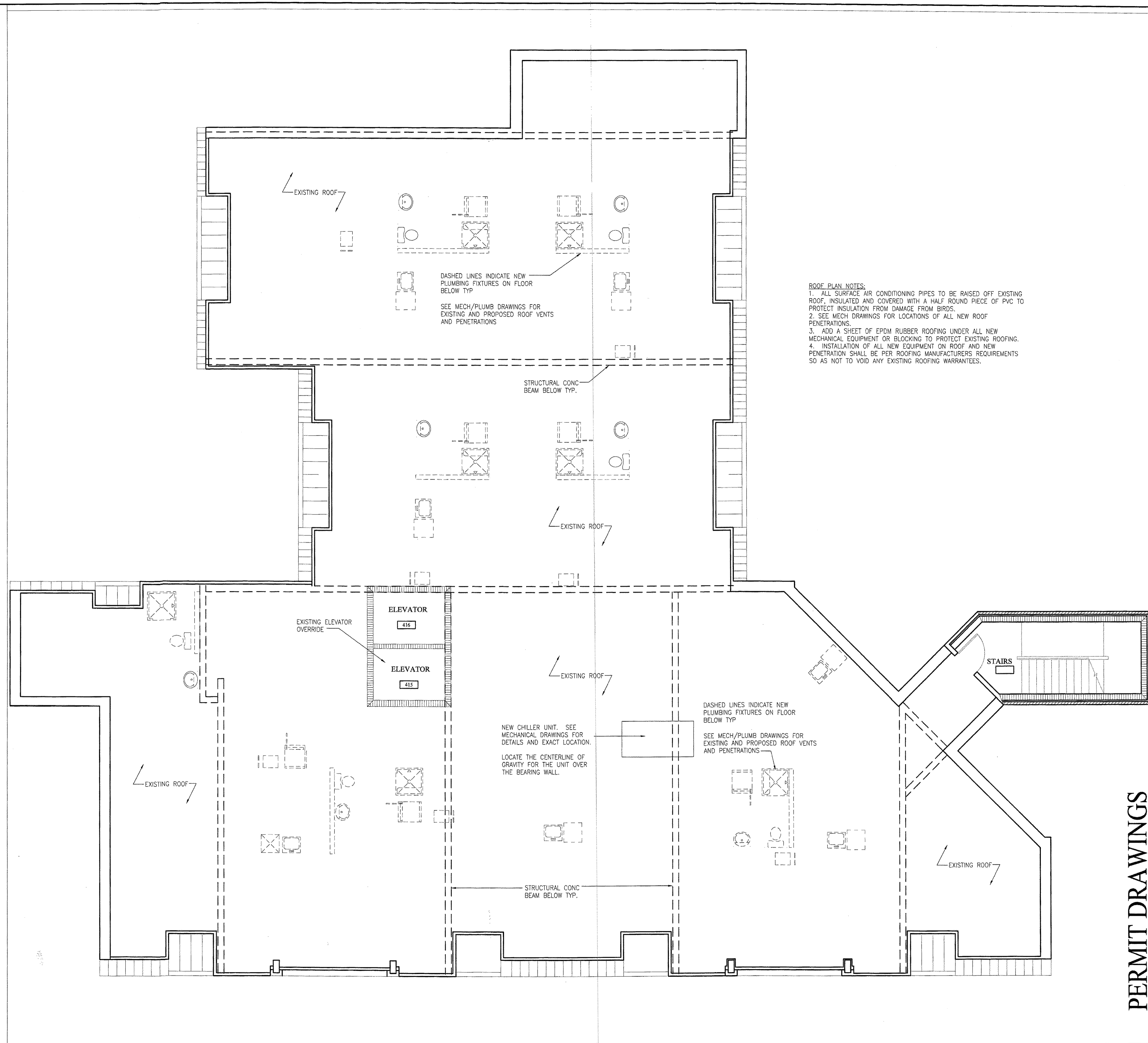
ROOF PLAN
PLAN

A201

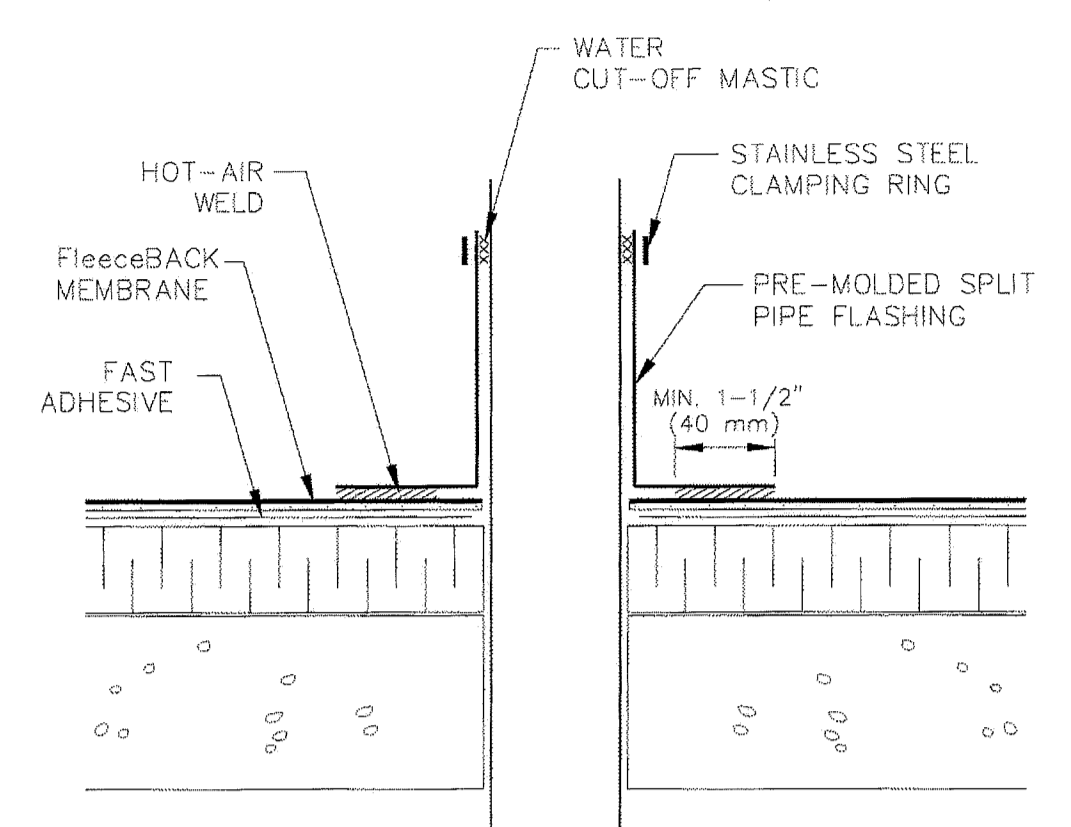
© COPYRIGHT 1985-2003
REPRODUCTION OR RESALE OF
THIS DOCUMENT WITHOUT
THE WRITTEN PERMISSION OF
GAWRON ARCHITECTS IS PROHIBITED

PERMIT DRAWINGS

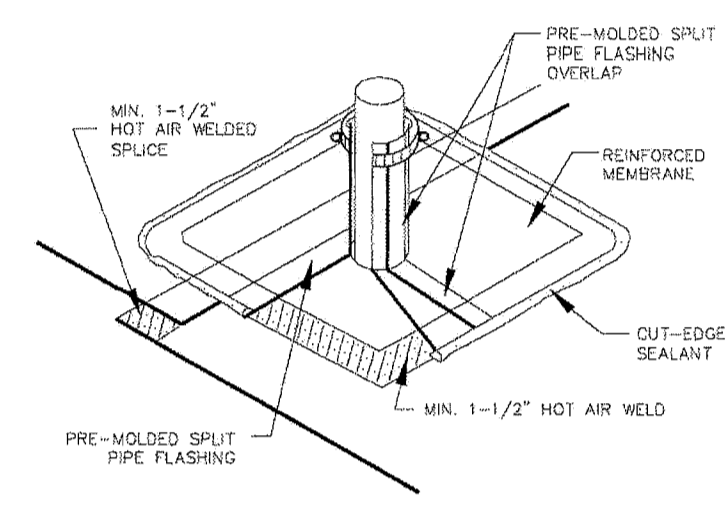
- ROOF PLAN NOTES:**
1. ALL SURFACE AIR CONDITIONING PIPES TO BE RAISED OFF EXISTING ROOF, INSULATED AND COVERED WITH A HALF ROUND PIECE OF PVC TO PROTECT INSULATION FROM DAMAGE FROM BIRDS.
 2. SEE MECH DRAWINGS FOR LOCATIONS OF ALL NEW ROOF PENETRATIONS.
 3. ADD A SHEET OF EPDM RUBBER ROOFING UNDER ALL NEW MECHANICAL EQUIPMENT OR BLOCKING TO PROTECT EXISTING ROOFING.
 4. INSTALLATION OF ALL NEW EQUIPMENT ON ROOF AND NEW PENETRATION SHALL BE PER ROOFING MANUFACTURERS REQUIREMENTS SO AS NOT TO VOID ANY EXISTING ROOFING WARRANTIES.



PRE-MOLDED SPLIT PIPE FLASHING WITH VERTICAL CUT TO ALLOW FLASHING TO WRAP AROUND PIPE PENETRATION

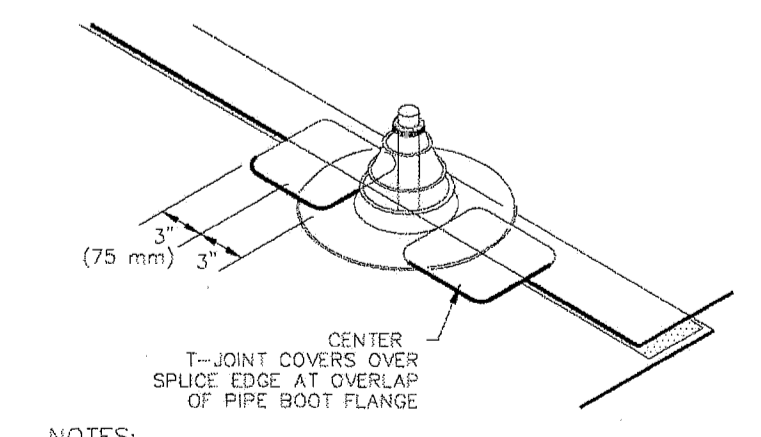
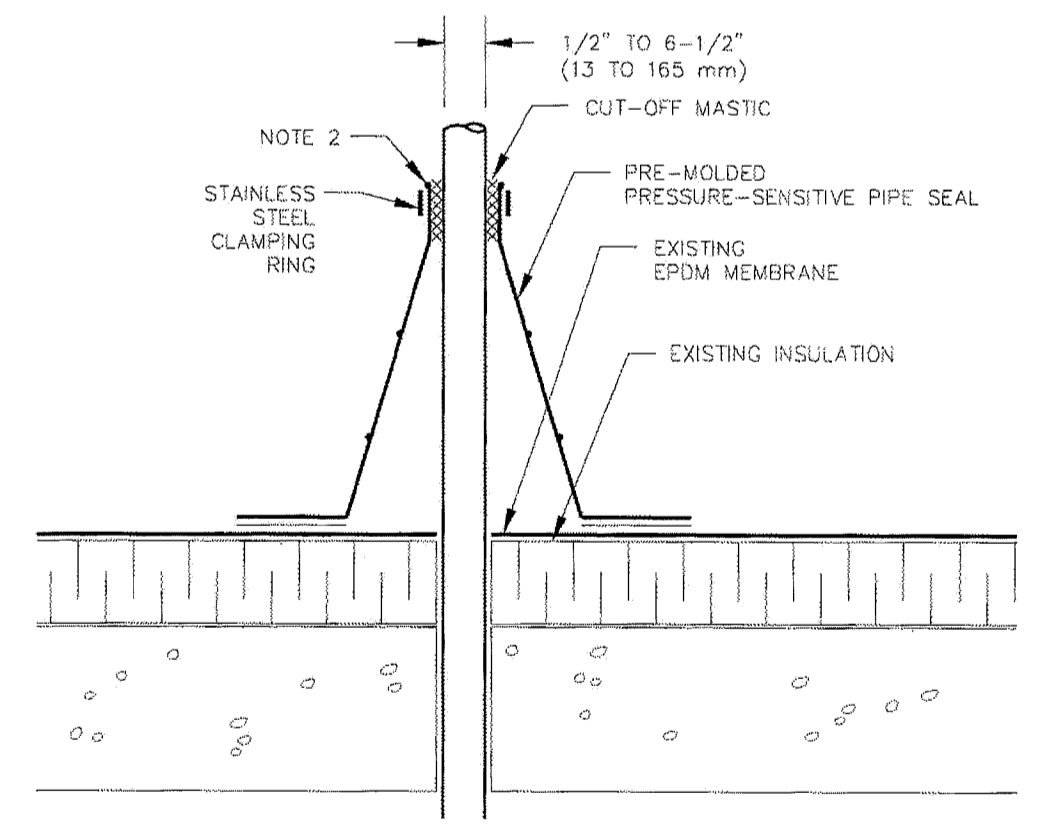


- NOTES:**
1. REMOVE ALL LEAD AND OTHER FLASHING.
 2. TEMPERATURE OF PIPE MUST NOT EXCEED 120° F (49° C).



THE PRE-MOLDED SPLIT PIPE FLASHING IS MANUFACTURED WITH A VERTICAL OPENING ON THE SIDE AND IS DESIGNED TO BE WRAPPED AROUND THE VENT PIPE. WRAP THE PIPE FLASHING AROUND THE VENT PIPE AND HOT AIR WELD THE VERTICAL OVERLAP AND FLANGE AS SHOWN.

AFTER THE VERTICAL WELD IS COMPLETE, WELD THE BASE FLANGE TO THE FIELD MEMBRANE.



- NOTES:**
1. REMOVE ALL LEAD AND OTHER FLASHING.
 2. PIPE SEAL MUST HAVE INTACT RIB AT TOP EDGE, REGARDLESS OF PIPE DIAMETER.
 3. DECK FLANGES OF THE PRE-MOLDED PIPE SEAL SHALL NOT BE OVERLAPPED, CUT OR APPLIED OVER ANY ANGLE CHANGE.
 4. ON MECHANICALLY-FASTENED ROOFING SYSTEMS, ADDITIONAL MEMBRANE SECUREMENT IS REQUIRED.

A1 ROOF PENETRATION DETAILS
NTS

A6 ROOF PLAN
3/16"=1'-0"