

**GAWRON
TURGEON
ARCHITECTS**
29 Black Point Road
Scarborough, ME 04074
www.gawronturgeon.com
Tel 207.883.6307
Fax 207.883.0361

SEVENTY-FIVE STATE STREET
SOUTH HARBORSIDE FOURTH FLOOR RENOVATIONS
PORTLAND, MAINE

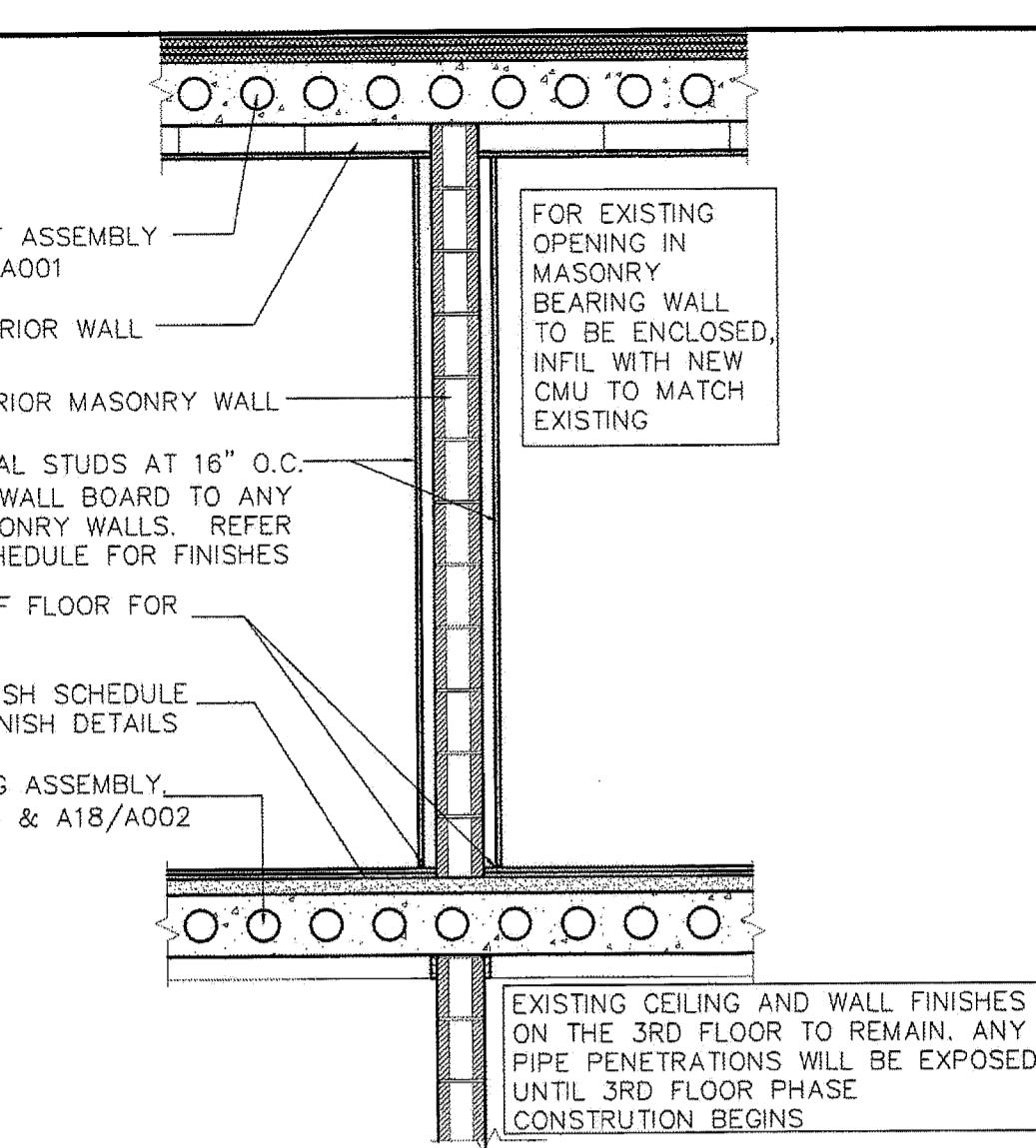
REVISIONS	
#	DESCRIPTION

DATE:	9/5/07
PROJECT #:	010106 AEP
DRAWN BY:	RLD
CHECKED BY:	VARIES
DRAWING SCALE:	

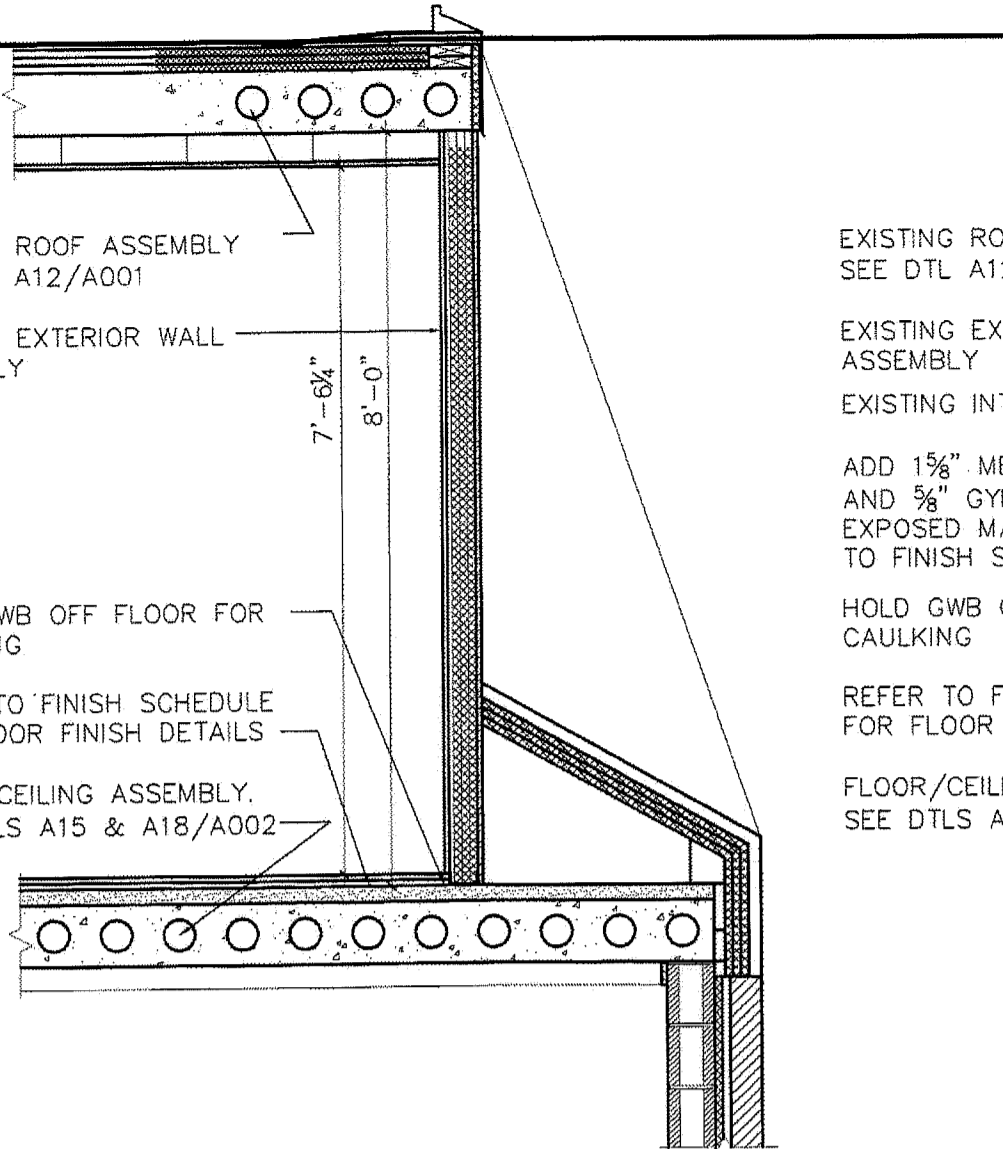
SHEET TITLE
PARTITION TYPES
& ARCH DETAILS

A002

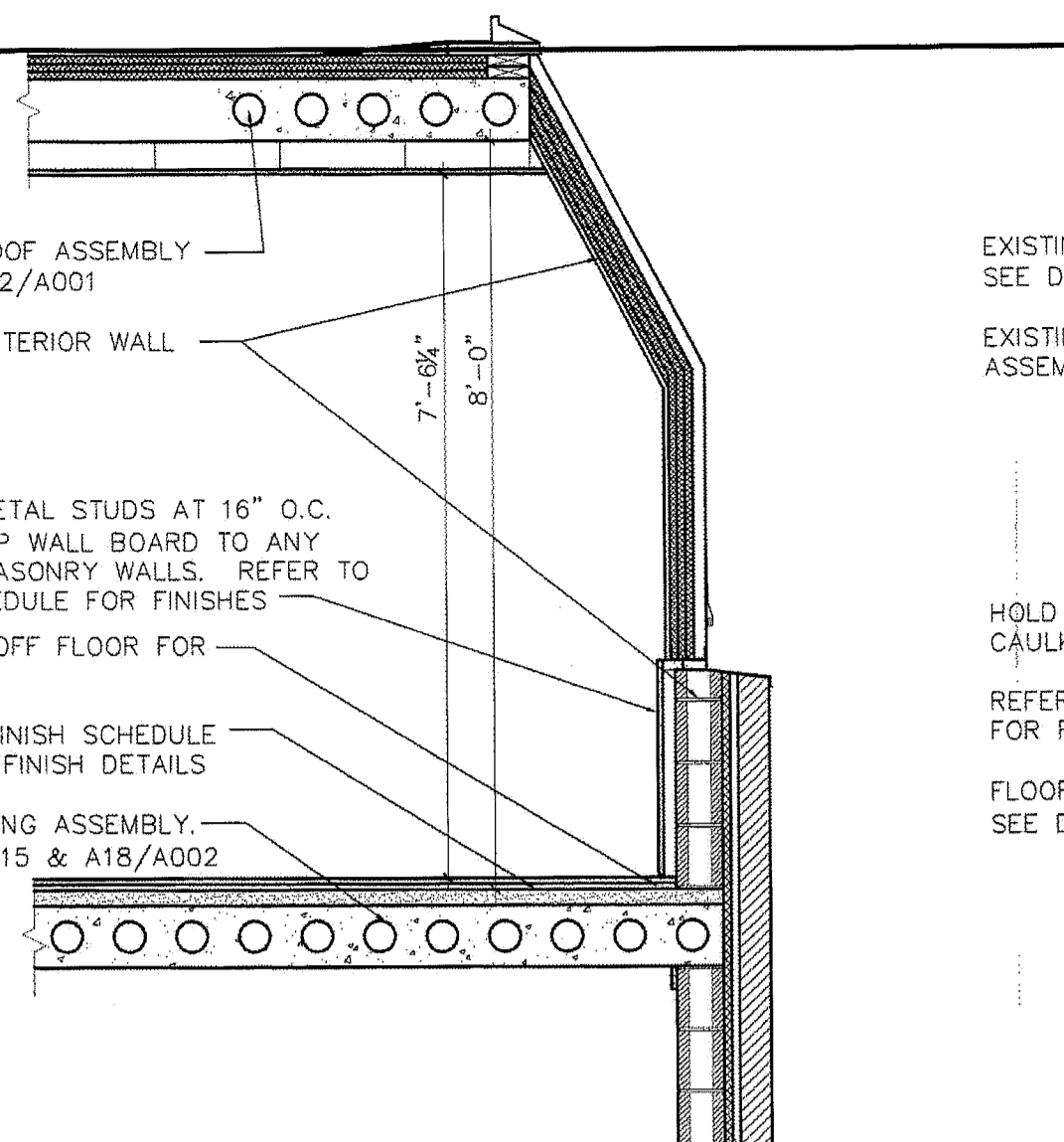
© COPYRIGHT 1985-2003
REPRODUCTION OR USE OF
THIS DOCUMENT WITHOUT
WRITTEN PERMISSION OF
GAWRON ARCHITECTS IS PROHIBITED



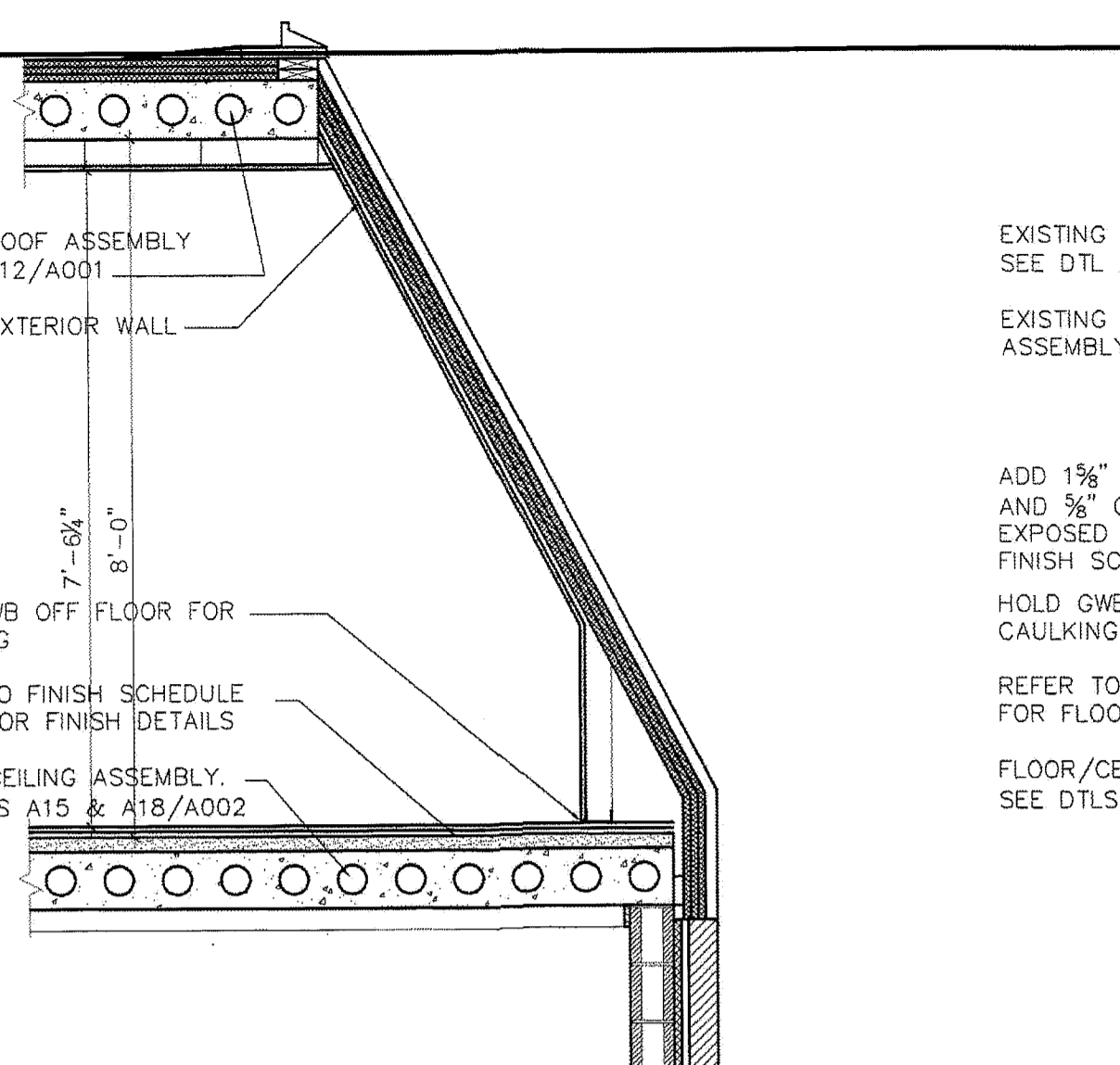
W5 WALL/CLNG DETAIL (NON RATED)
SCALE 1/2"=1'-0"
STC RATING = 52



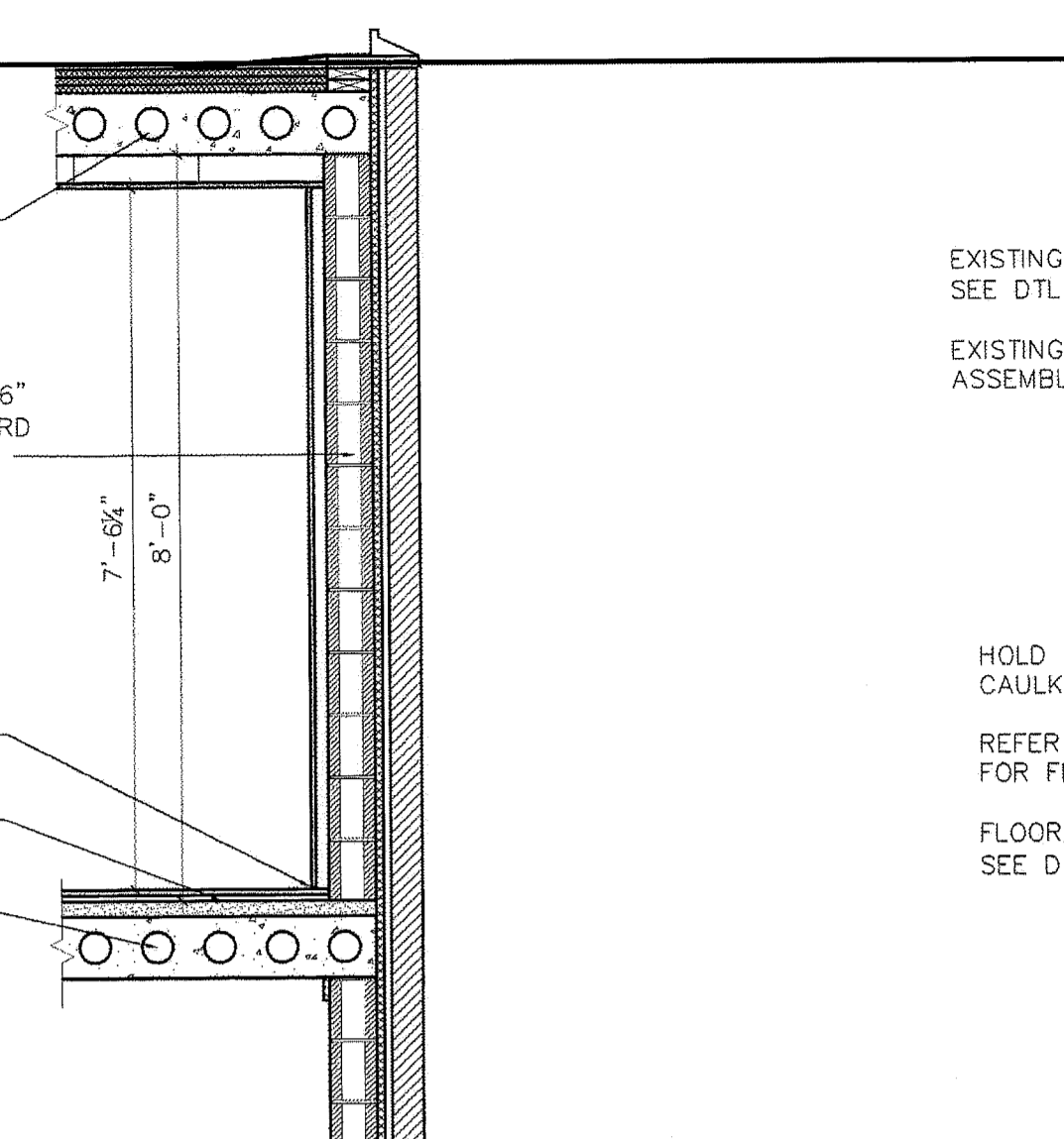
W4 WALL DETAIL (NON RATED)
SCALE 1/2"=1'-0"



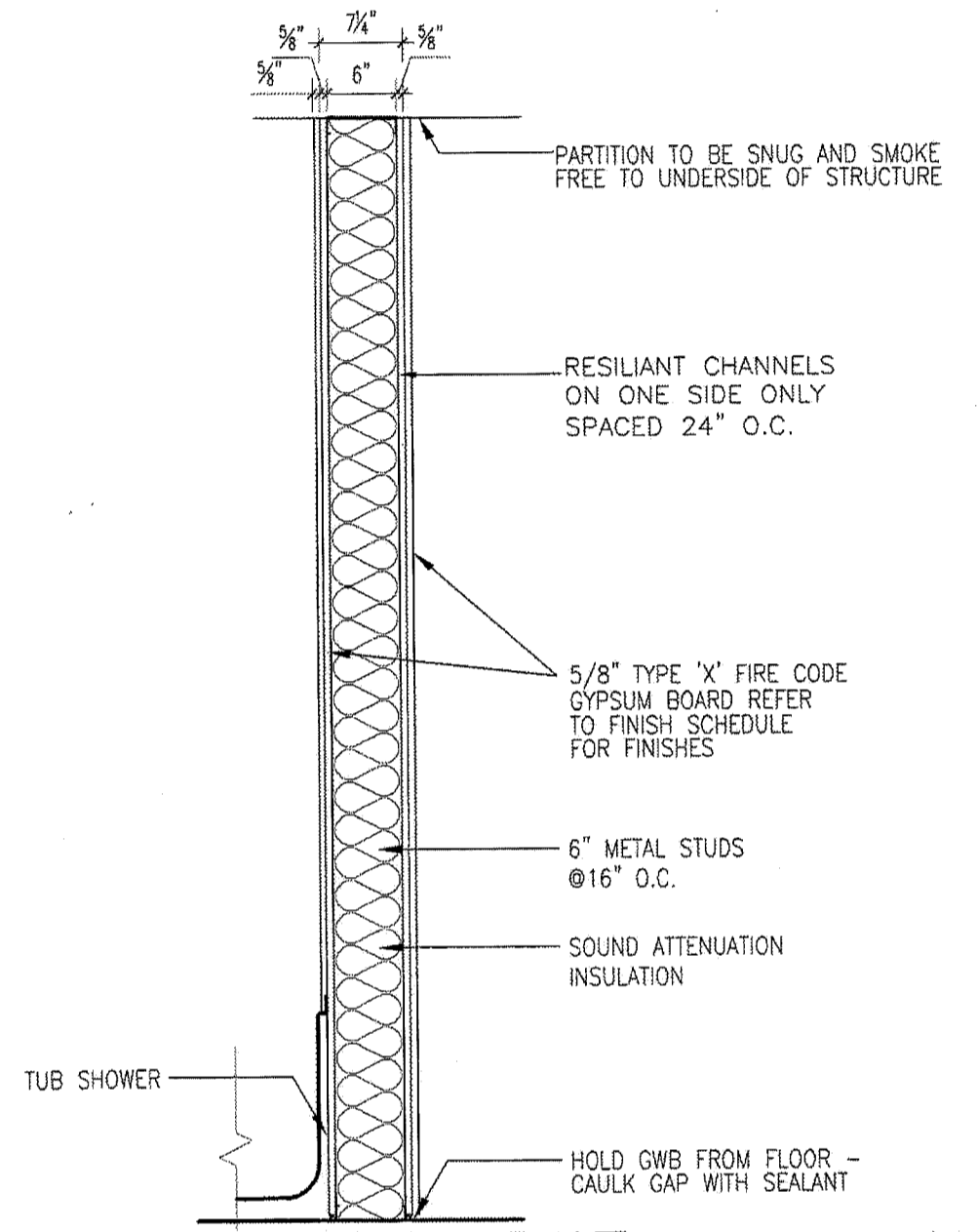
W3 WALL DETAIL (NON RATED)
SCALE 1/2"=1'-0"



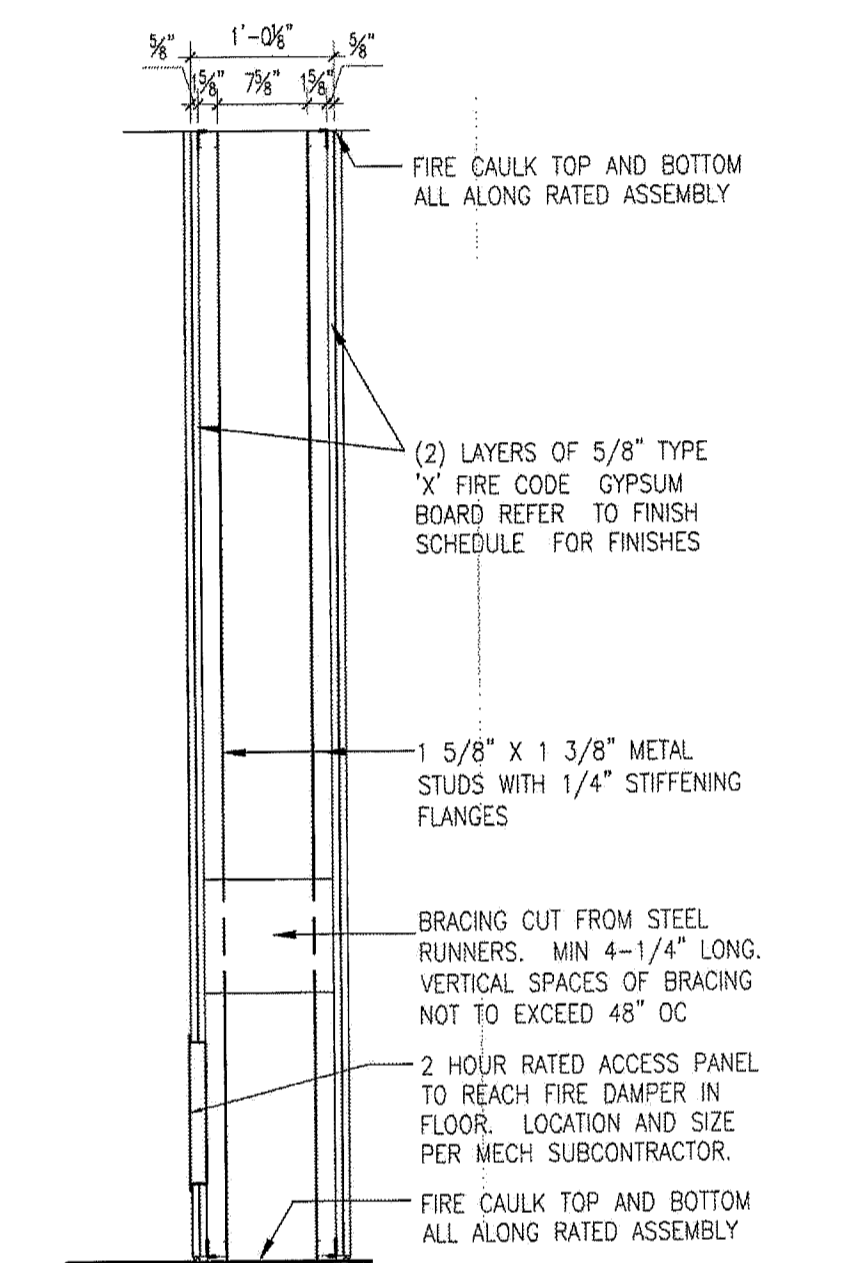
W2 WALL DETAIL (NON RATED)
SCALE 1/2"=1'-0"



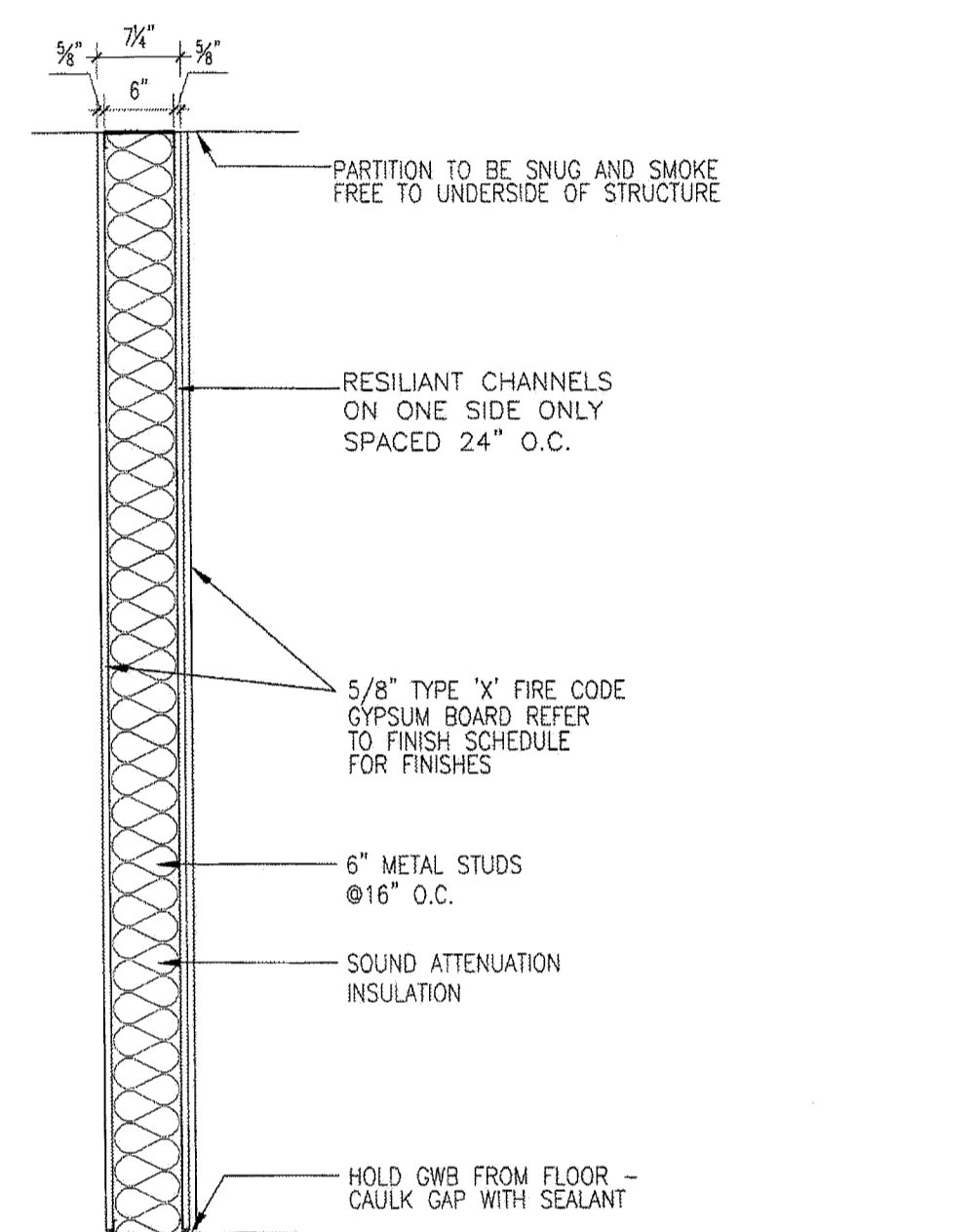
W1 WALL DETAIL (NON RATED)
SCALE 1/2"=1'-0"



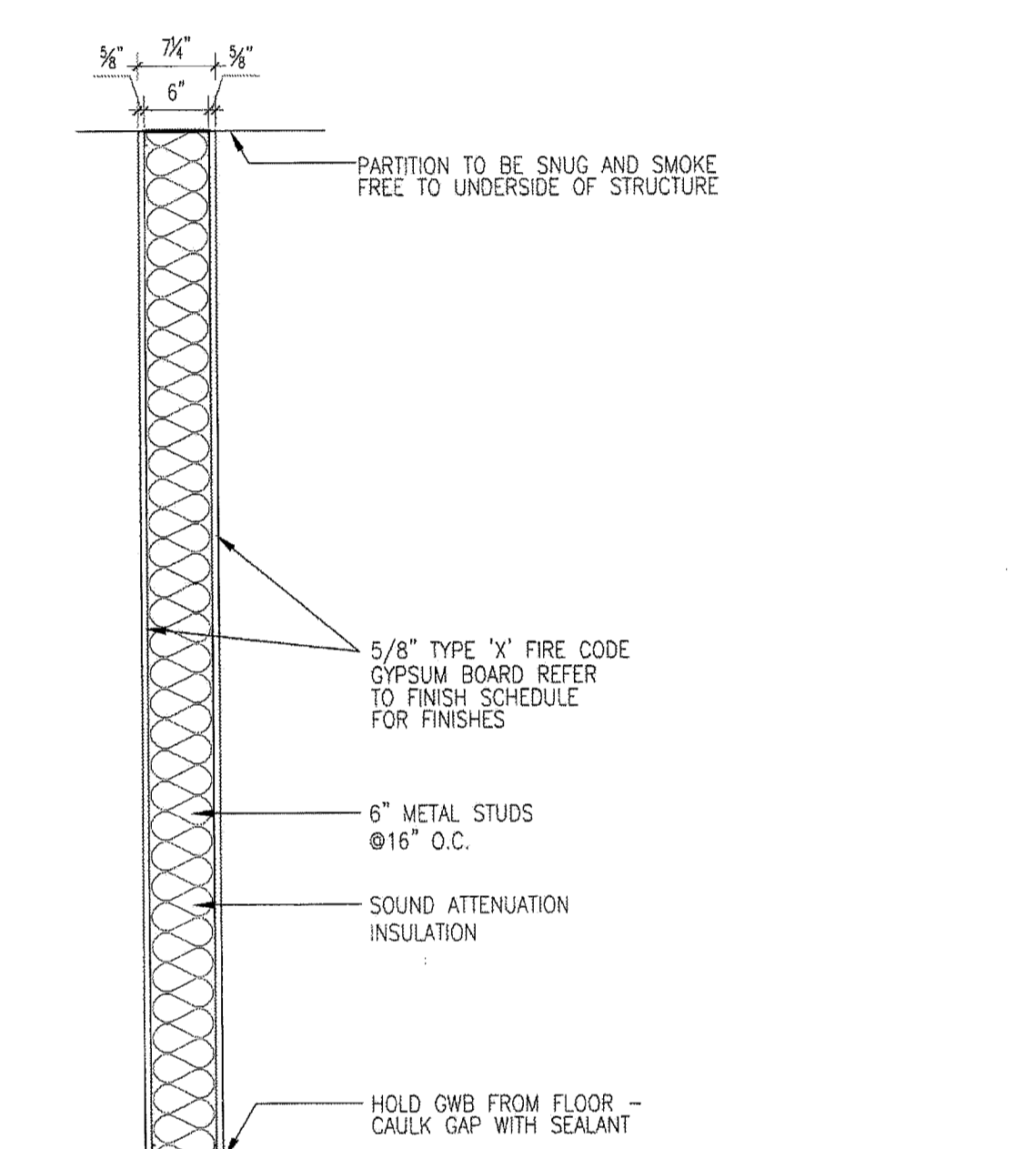
W10 WALL DETAIL (1 HR RATED)
SCALE 3/4"=1'-0"
U.L. DES. U419
STC: 56



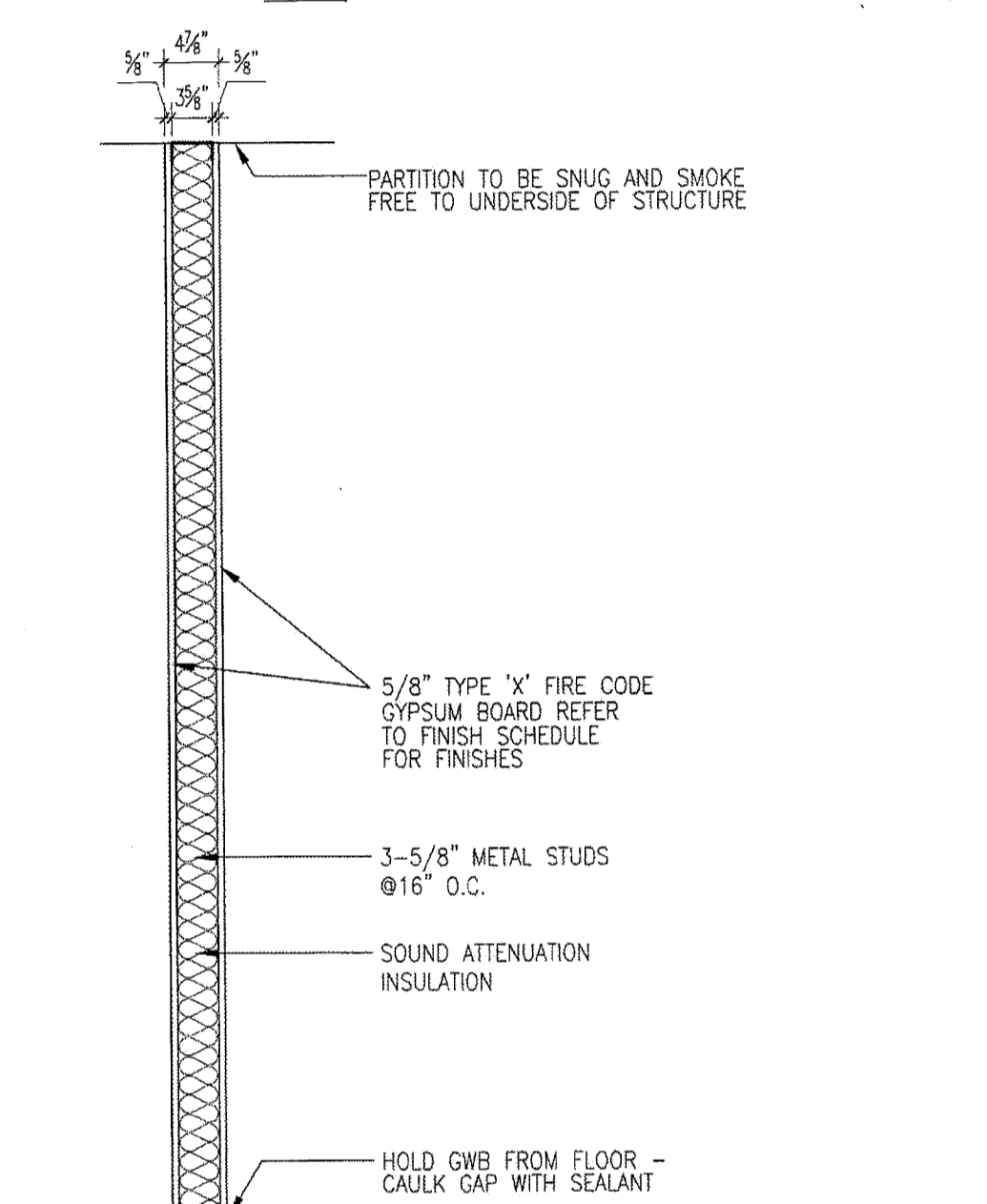
W9 WALL DETAIL (2 HR RATED)
SCALE 3/4"=1'-0"
U.L. DES. U420
STC: 92



W8 WALL DETAIL (1 HR RATED)
SCALE 3/4"=1'-0"
U.L. DES. U419
STC: 56



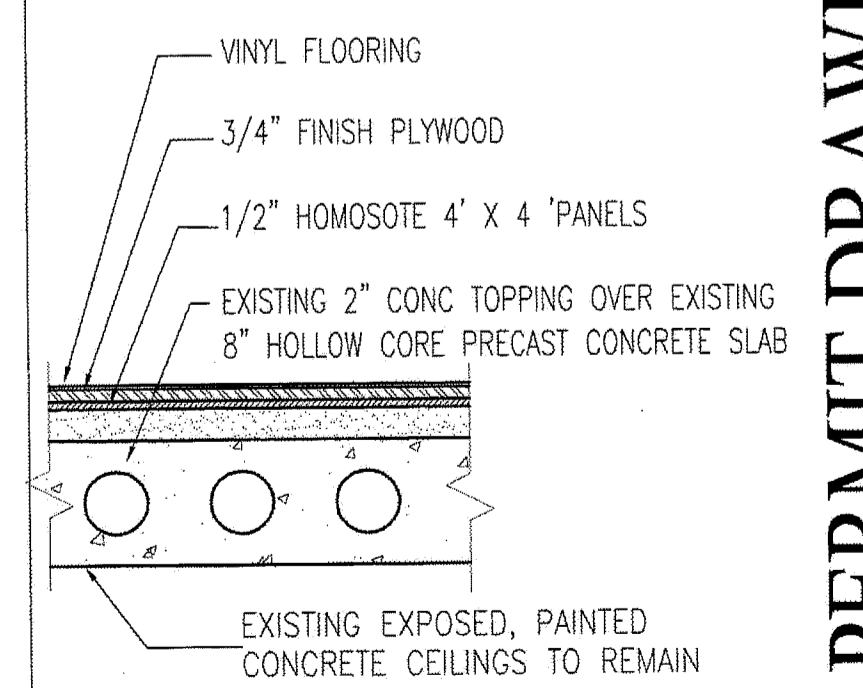
W7 WALL DETAIL (1 HR RATED)
SCALE 3/4"=1'-0"
U.L. DES. U305
STC: 39 +/-



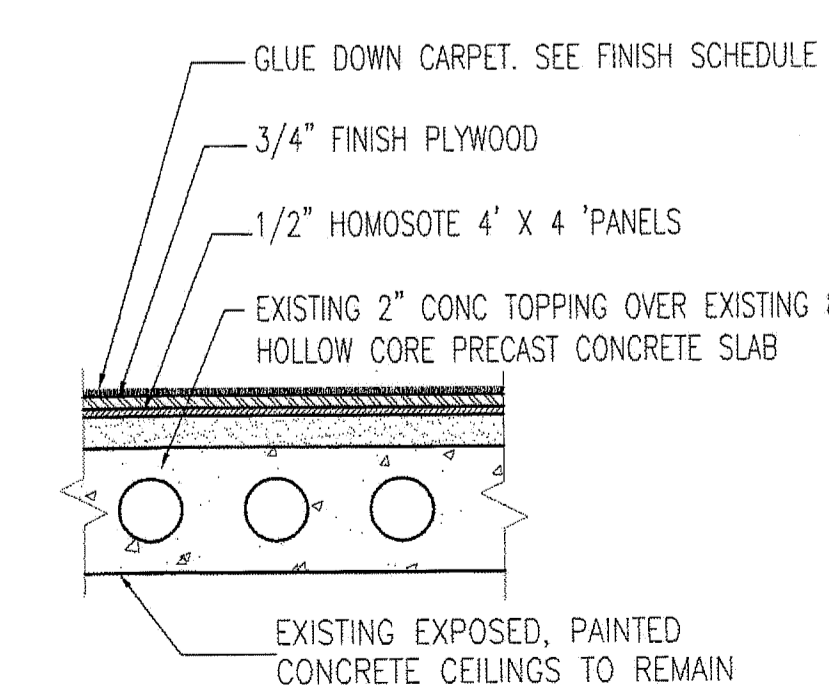
W6 WALL DETAIL (NON RATED)
SCALE 3/4"=1'-0"
U.L. DES. U305
STC: 39 +/-

W6A WALL DETAIL (1HR RATED)
SCALE 3/4"=1'-0"
U.L. DES. U305
STC: 39 +/-

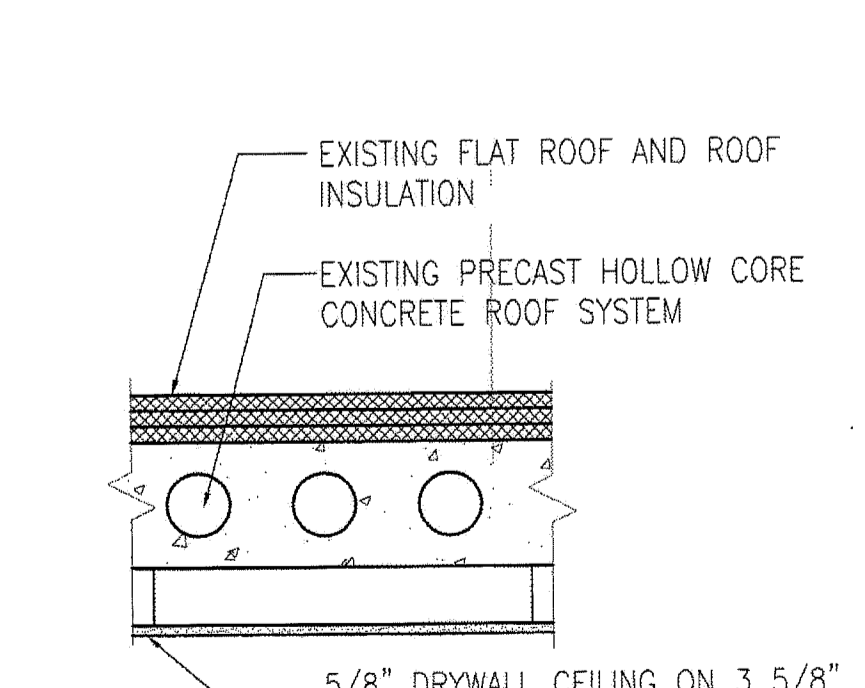
W6B WALL DETAIL (1HR RATED)
SCALE 3/4"=1'-0"
NO INSULATION



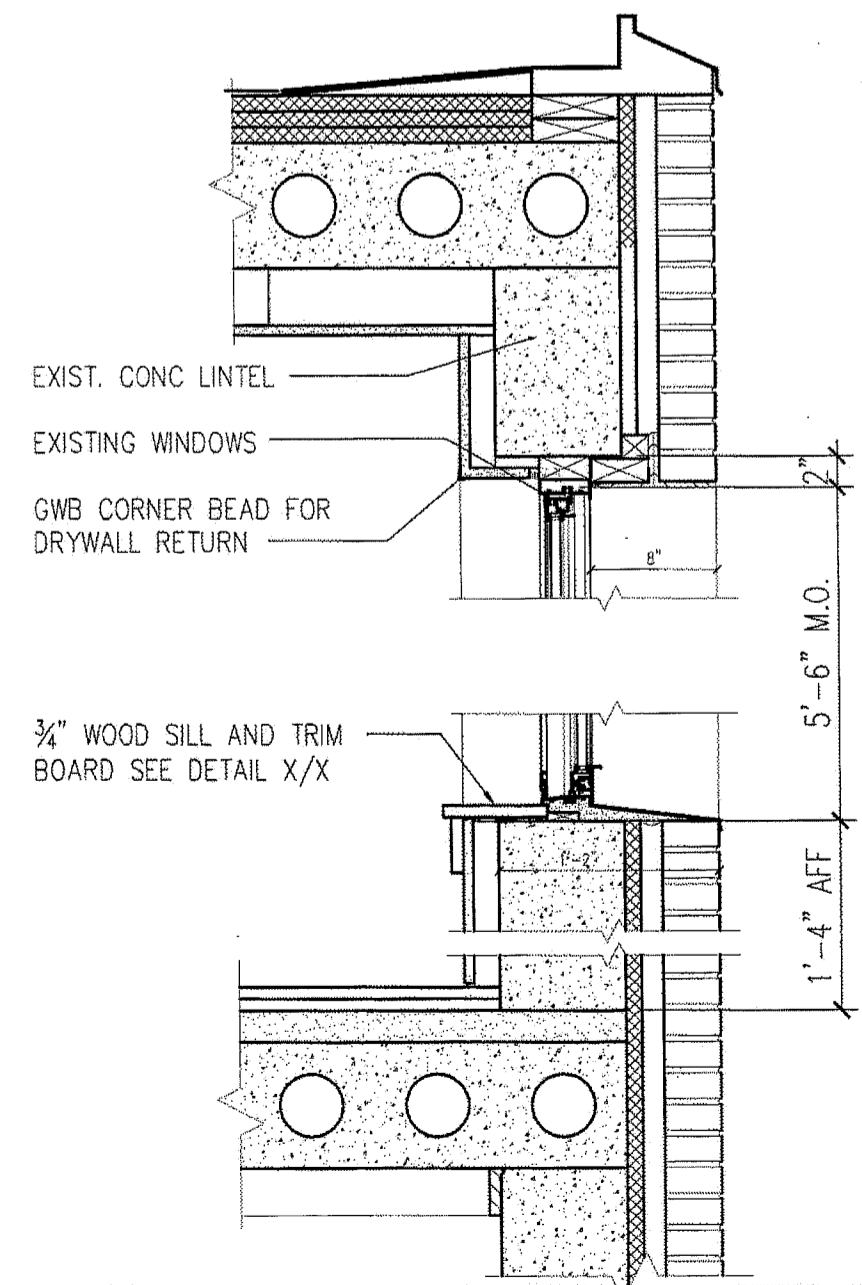
A18 FLOOR/CLNG ASSEMBLY
SCALE 1/2"=1'-0"
ICC RATING = 41-52 DB
3 HR. RATED PER ICC PFC-4833



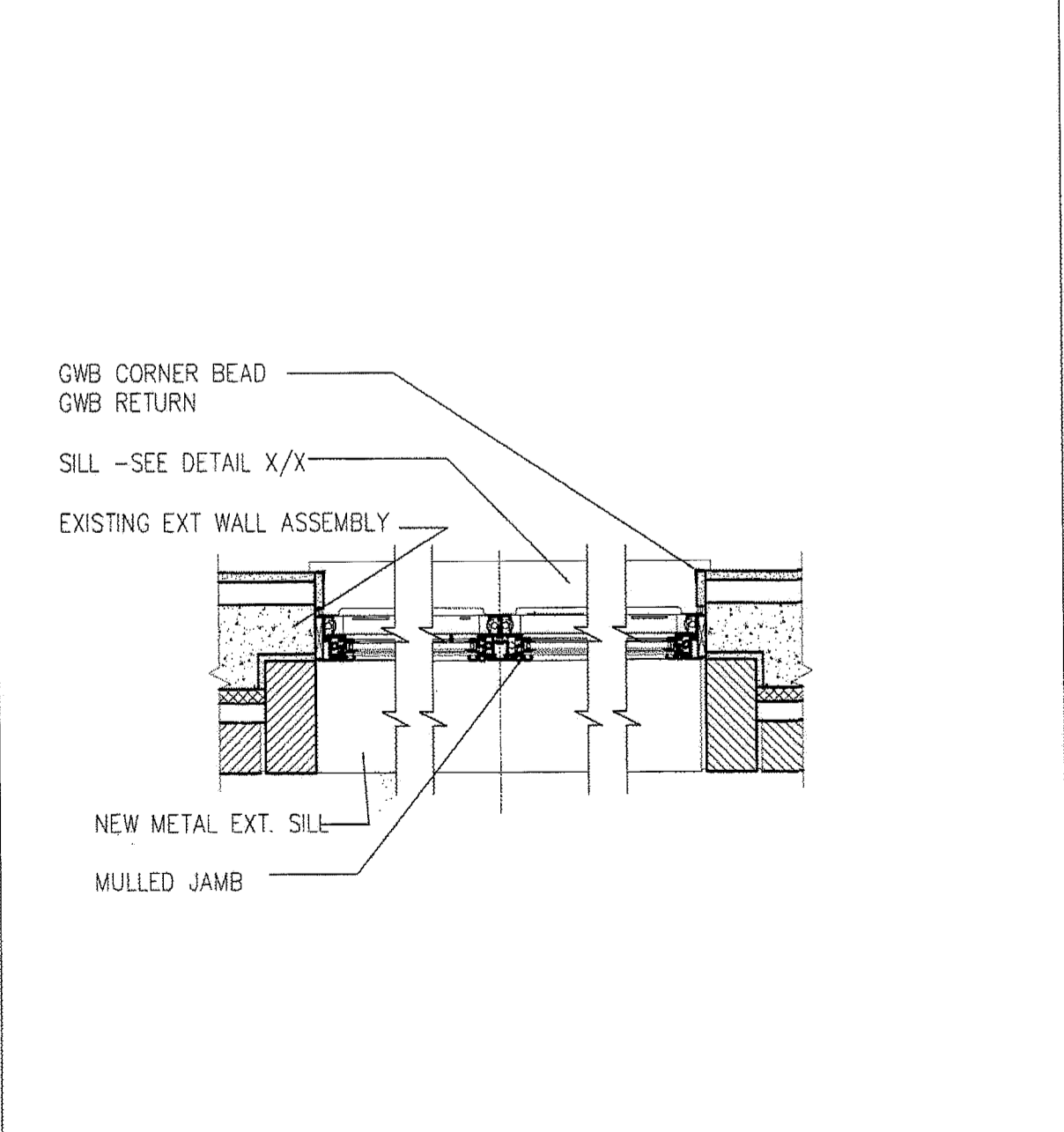
A15 FLOOR/CLNG ASSEMBLY
SCALE 1/2"=1'-0"
ICC RATED 41-78 DB
3 HR. RATED PER ICC PFC-4833



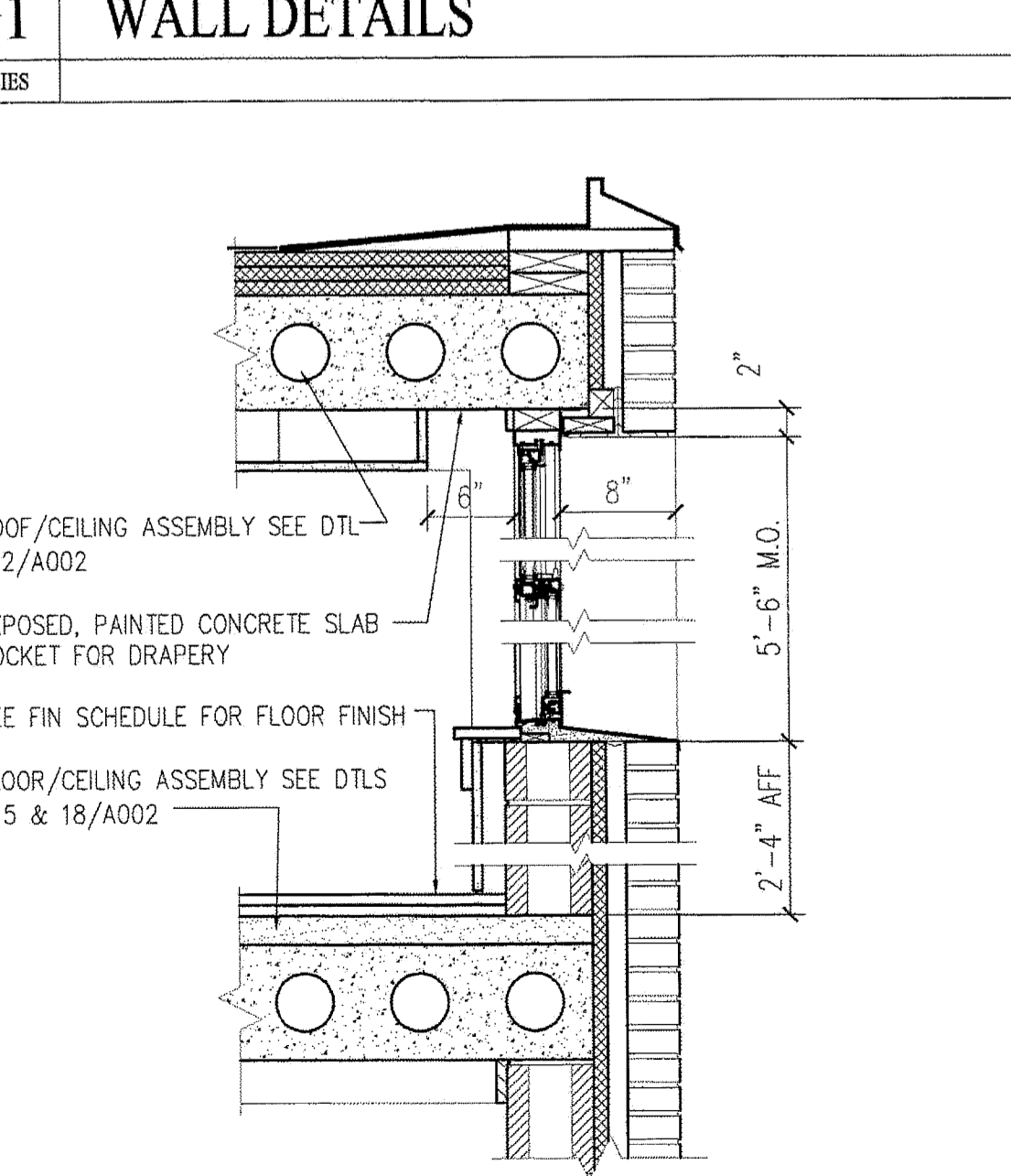
A12 ROOF/CEILING ASSEMBLY
SCALE 1/2"=1'-0"



A9 HEAD AND JAMB DETAILS
SCALE 3/4"=1'-0"



A5 SILL DETAIL
SCALE 3/4"=1'-0"



A1 HEAD AND JAMB DETAILS
SCALE 3/4"=1'-0"

PERMIT DRAWINGS