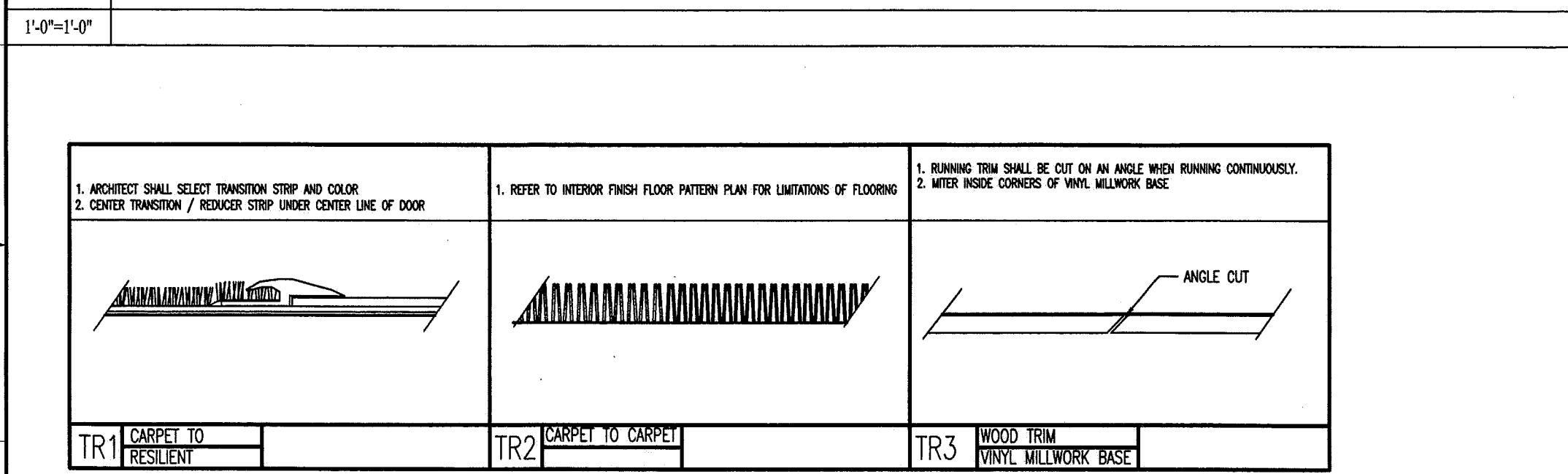
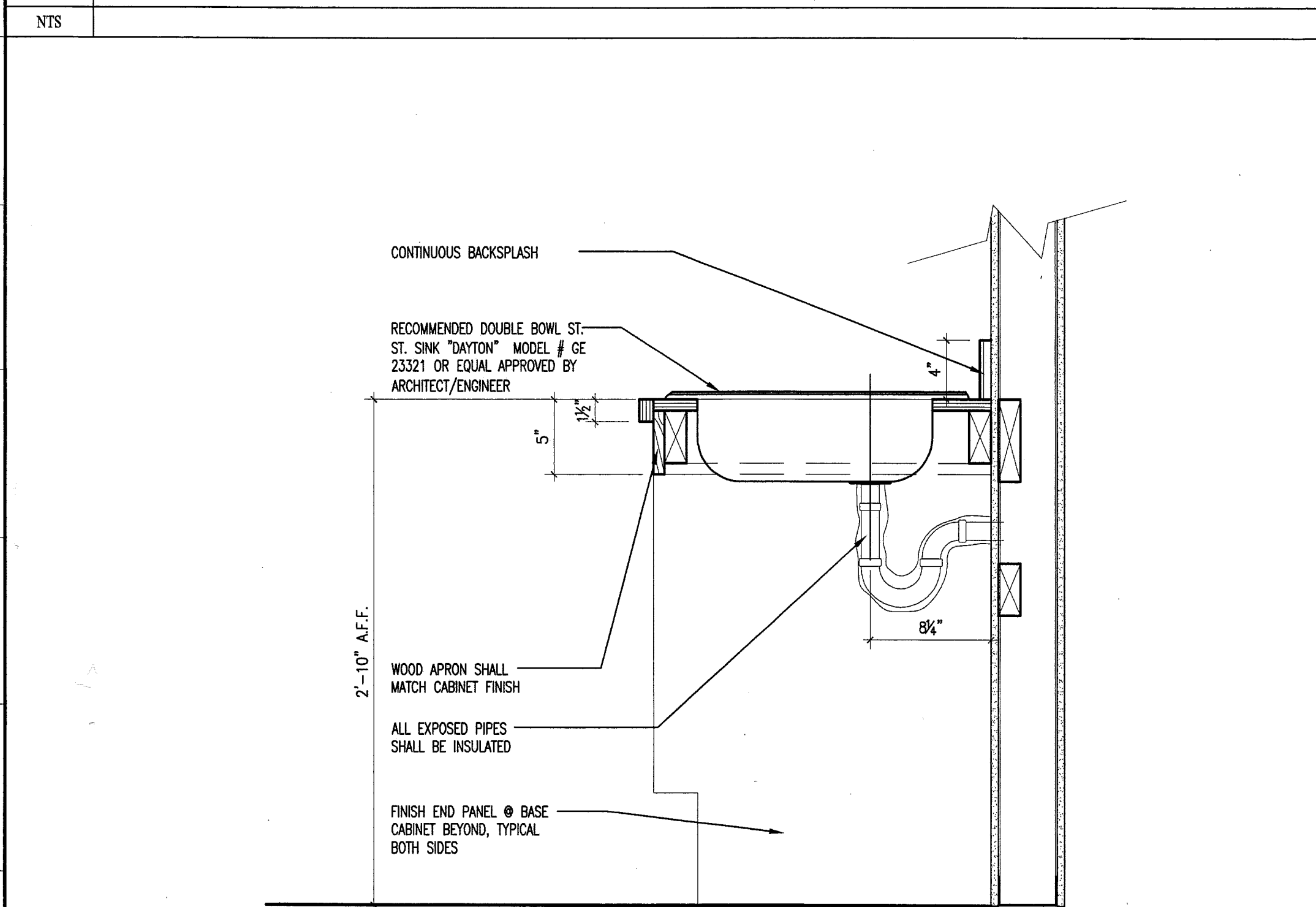


**K1 MILLWORK PROFILES**



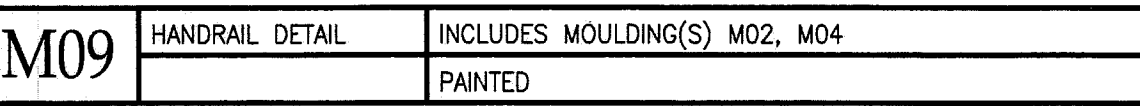
**G1 TRANSITION DETAILS**



**A1 TYPICAL ADA SINK DETAIL**

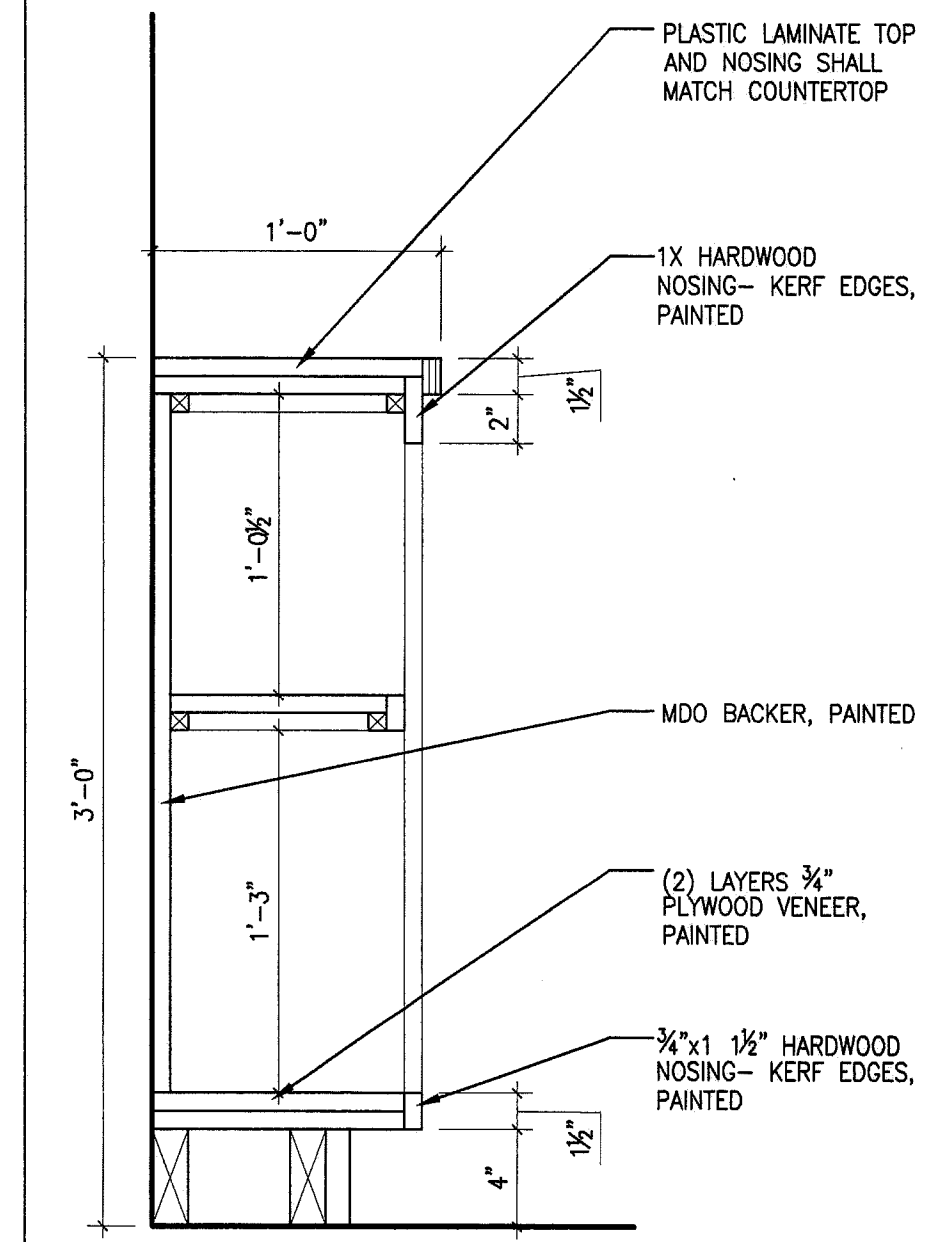
1 1/2"=1'-0" APT 307 KITCHEN-BATHROOM SIMILAR

MOUNTING BRACKET: JULIUS BLUM & CO. INC. (800)526.6293, WALL BRACKET, CAST, BRONZE FINISH



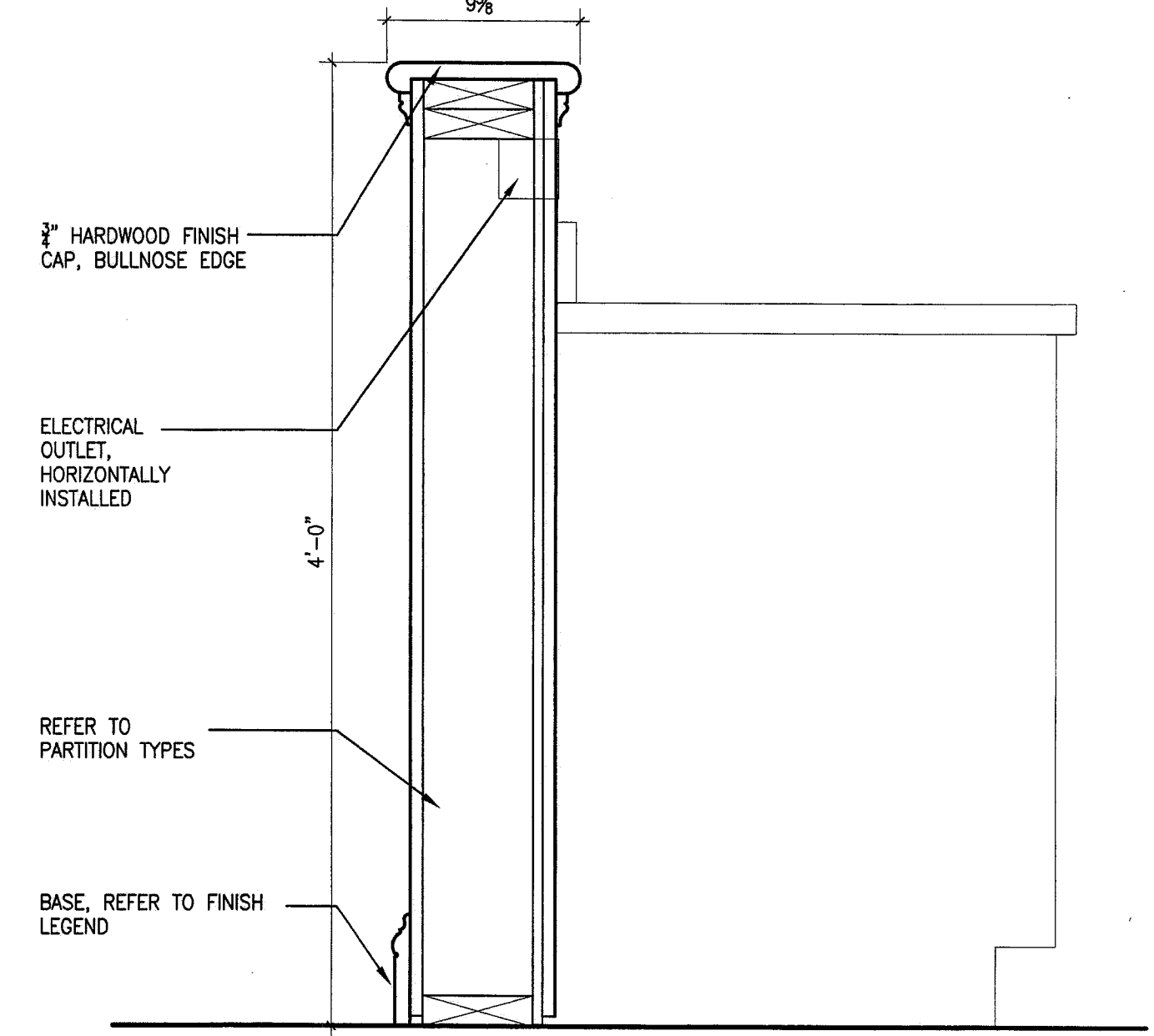
**A8 GAME ROOM CABINET DETAIL**

1 1/2"=1'-0"



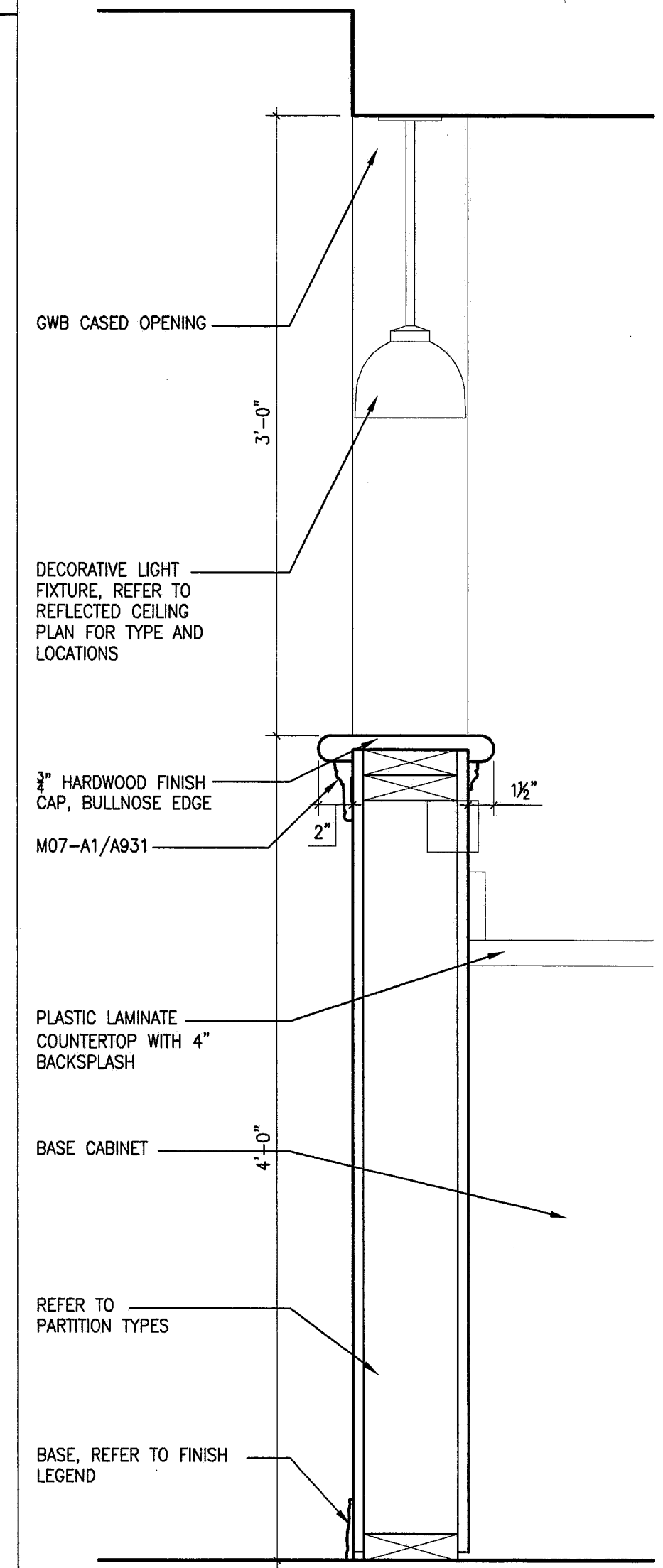
**L13 SHELVING DETAIL**

1 1/2"=1'-0"



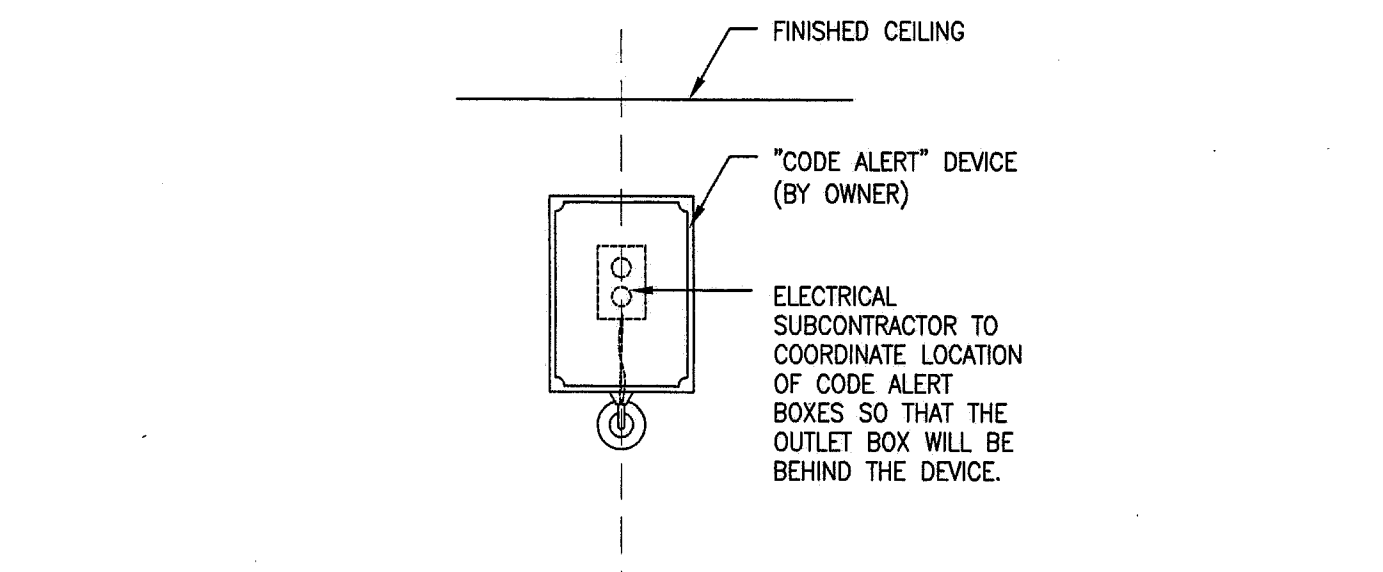
**L16 KITCHEN HALF WALL DETAIL**

1 1/2"=1'-0"



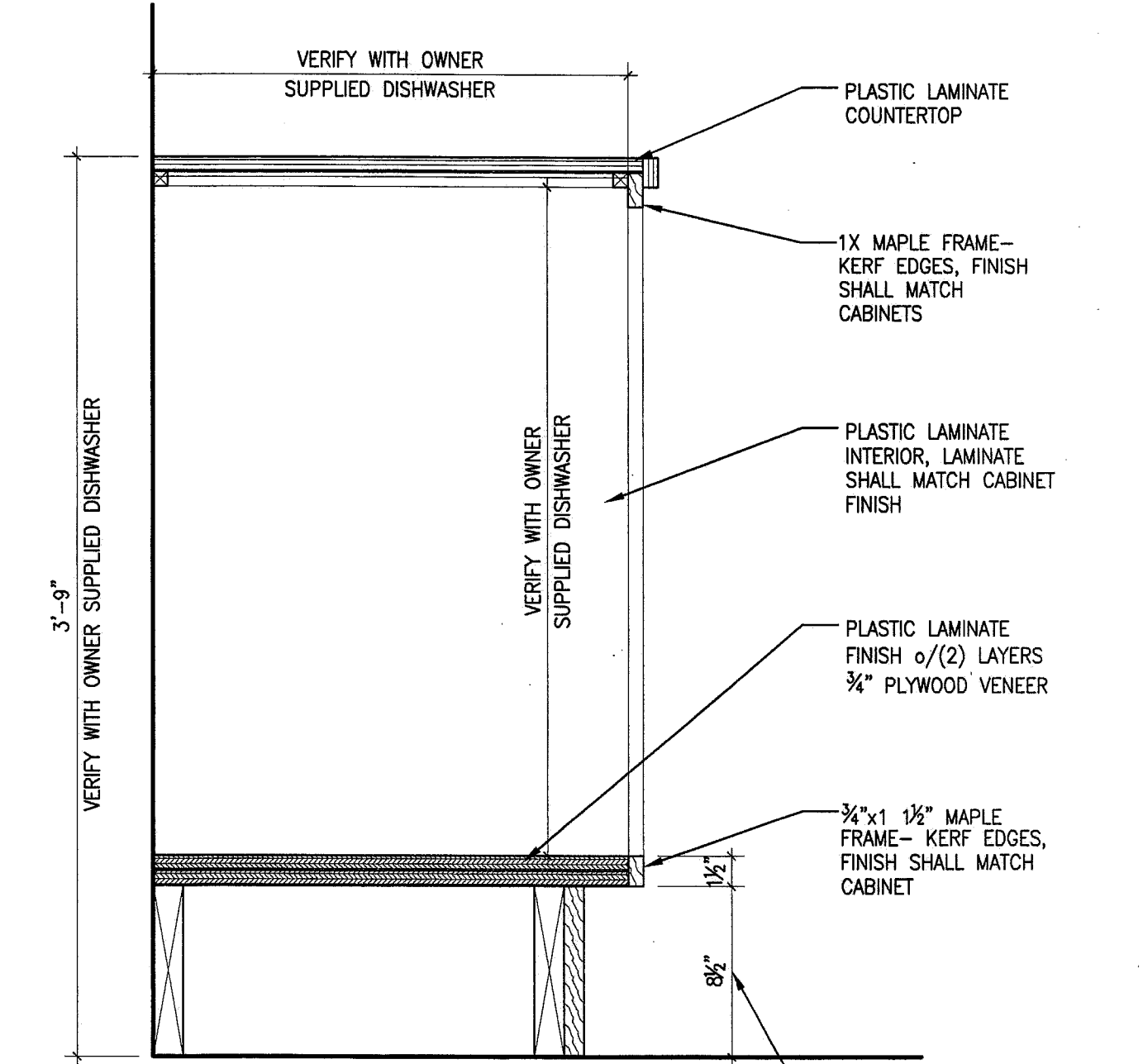
**A13 KITCHEN HALF WALL**

1 1/2"=1'-0" APT 302 CASED OPENING



**H16 CODE ALERT DETAIL**

1 1/2"=1'-0"



**A16 DISHWASHER CABINET**

1 1/2"=1'-0" ADA APT 307

REGISTERED ARCHITECT  
STANLEY GAWRON  
11145  
STATE OF MAINE

**Gawron Turgeon ARCHITECTS**  
29 Black Point Road  
Scarborough, Maine 04074  
www.gawronturgeon.com  
207-883-4307 ext. 207-883-0361 fax

SEVENTY-FIVE STATE STREET  
SOUTH HARBORSIDE THIRD FLOOR RENOVATIONS  
PORTLAND MAINE

REVISIONS		
#	DATE	DESCRIPTION
1	07-15-08	PRICING SET

DATE: 08.05.08  
PROJECT #: 020108  
DRAWN BY: RLA  
CHECKED BY: MET  
DRAWING SCALE: AS NOTED

**BUILDING PERMIT**

SHEET TITLE  
INTERIOR DETAILS

**A931**

© COPYRIGHT 1985-2008  
REPRODUCTION OR REUSE OF THIS  
DOCUMENT WITHOUT WRITTEN  
PERMISSION OF GAWRON TURGEON  
ARCHITECTS IS PROHIBITED.