

Gawron Turgeon ARCHITECTS
 29 Black Point Road
 Scarborough, Maine 04074
 www.gawronturgeon.com
 207-885-6307 ext. 207-883-0361 fax

SEVENTY-FIVE STATE STREET
 SOUTH HARBORSIDE THIRD FLOOR RENOVATIONS
 PORTLAND MAINE

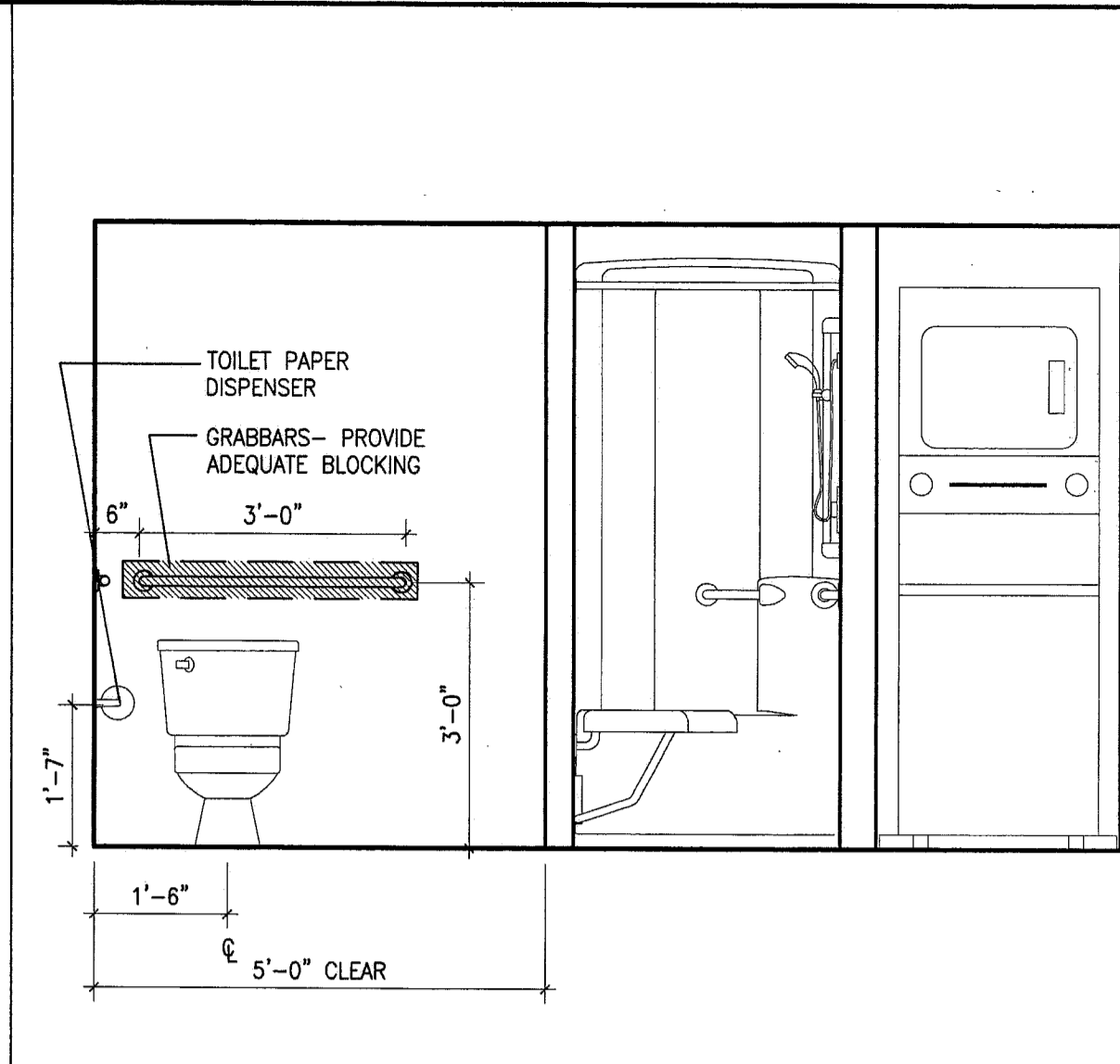
REVISIONS		
#	DATE	DESCRIPTION
07-15-08		PRICING SET

DATE:	08.05.08
PROJECT #:	020108
DRAWN BY:	RLA
CHECKED BY:	MET
DRAWING SCALE:	AS NOTED

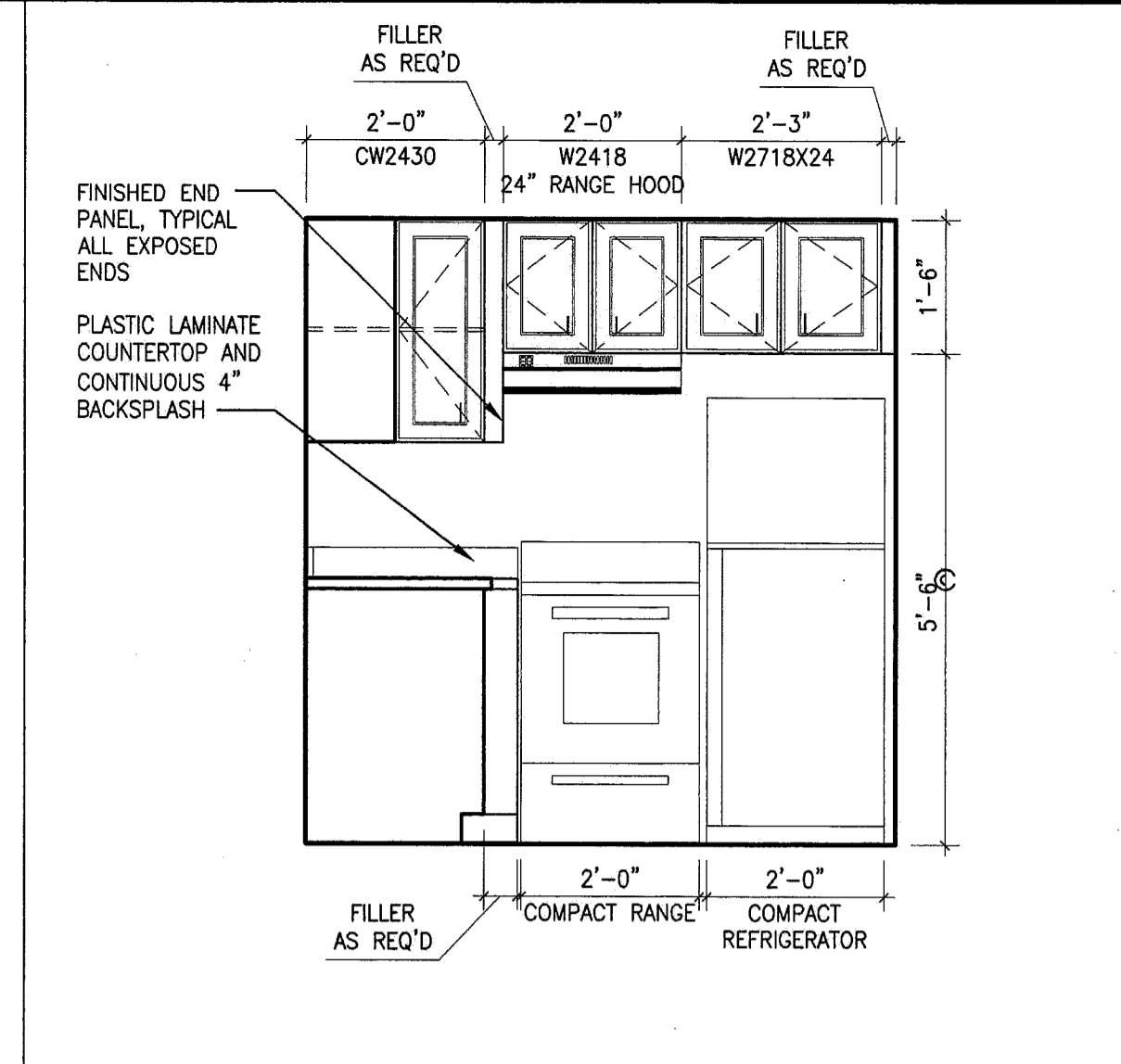
SHEET TITLE	
INTERIOR ELEVATIONS	

A922

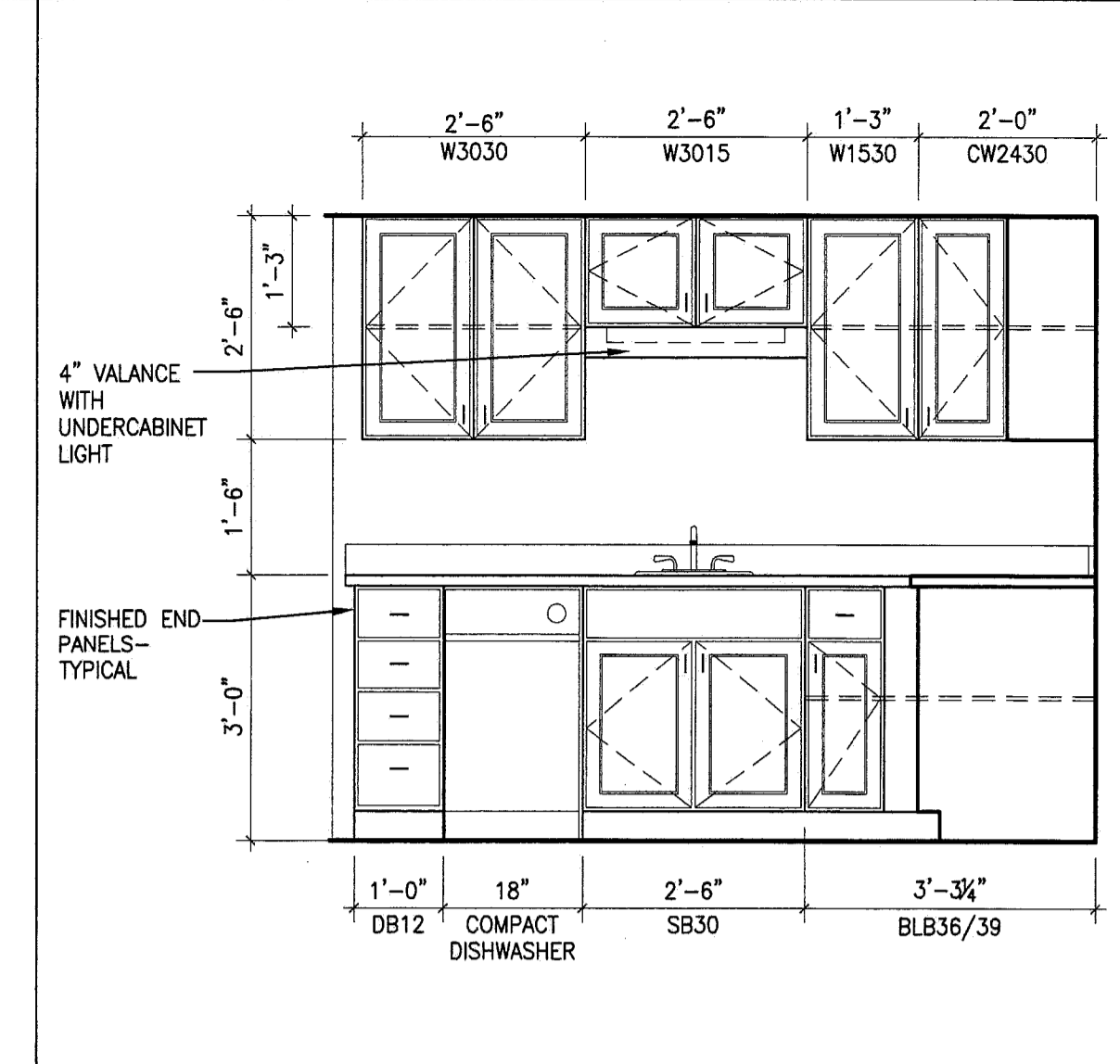
© COPYRIGHT 1985-2008
 REPRODUCTION OR USE OF THIS
 DOCUMENT WITHOUT WRITTEN
 PERMISSION OF GAWRON TURGEON
 ARCHITECTS IS PROHIBITED



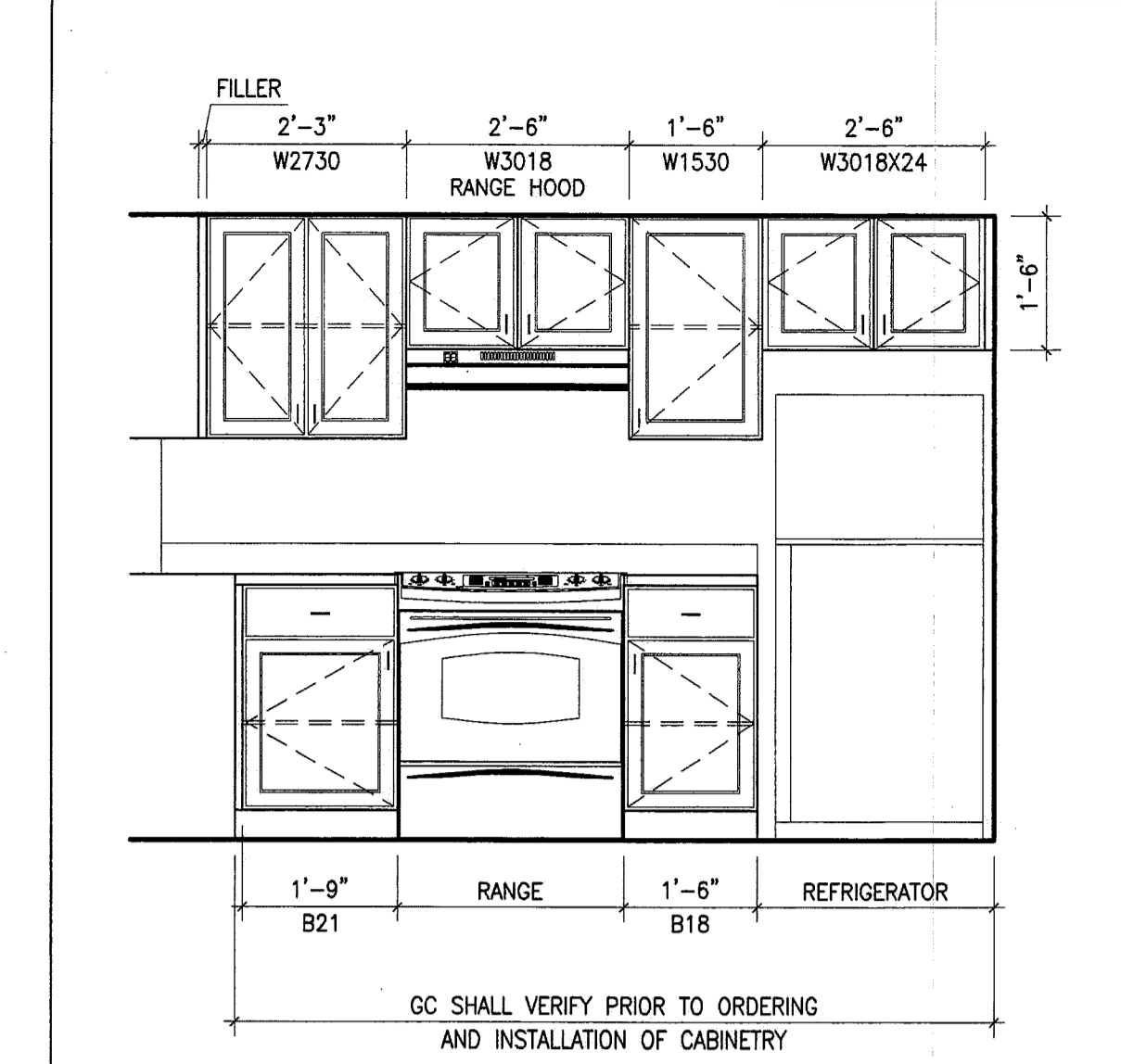
M17 BATHROOM ELEVATION
 1/2"=1'-0" EAST ELEVATION- APT 307



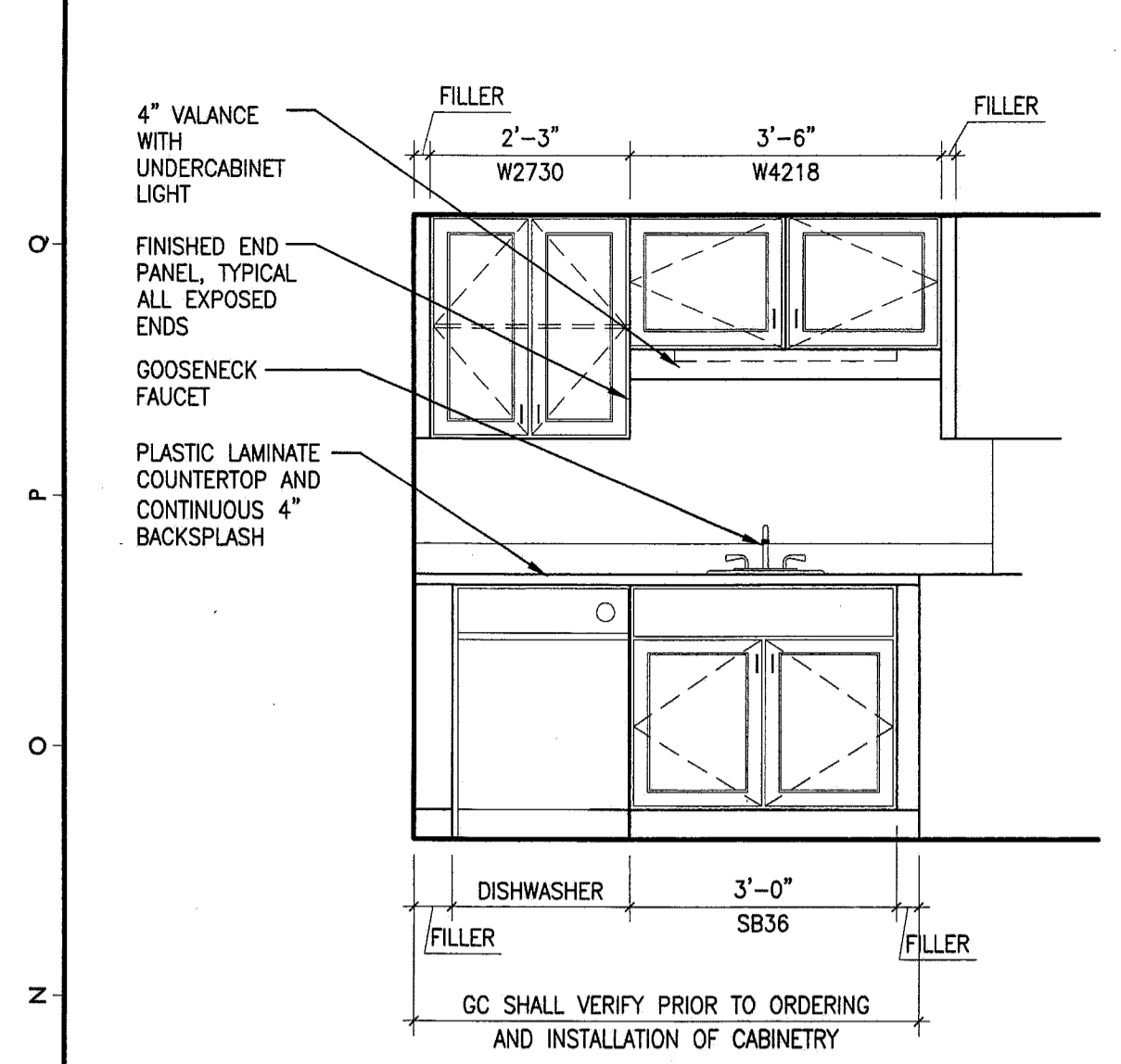
M13 KITCHEN ELEVATION
 1/2"=1'-0" EAST ELEVATION- APT 305 AND 306



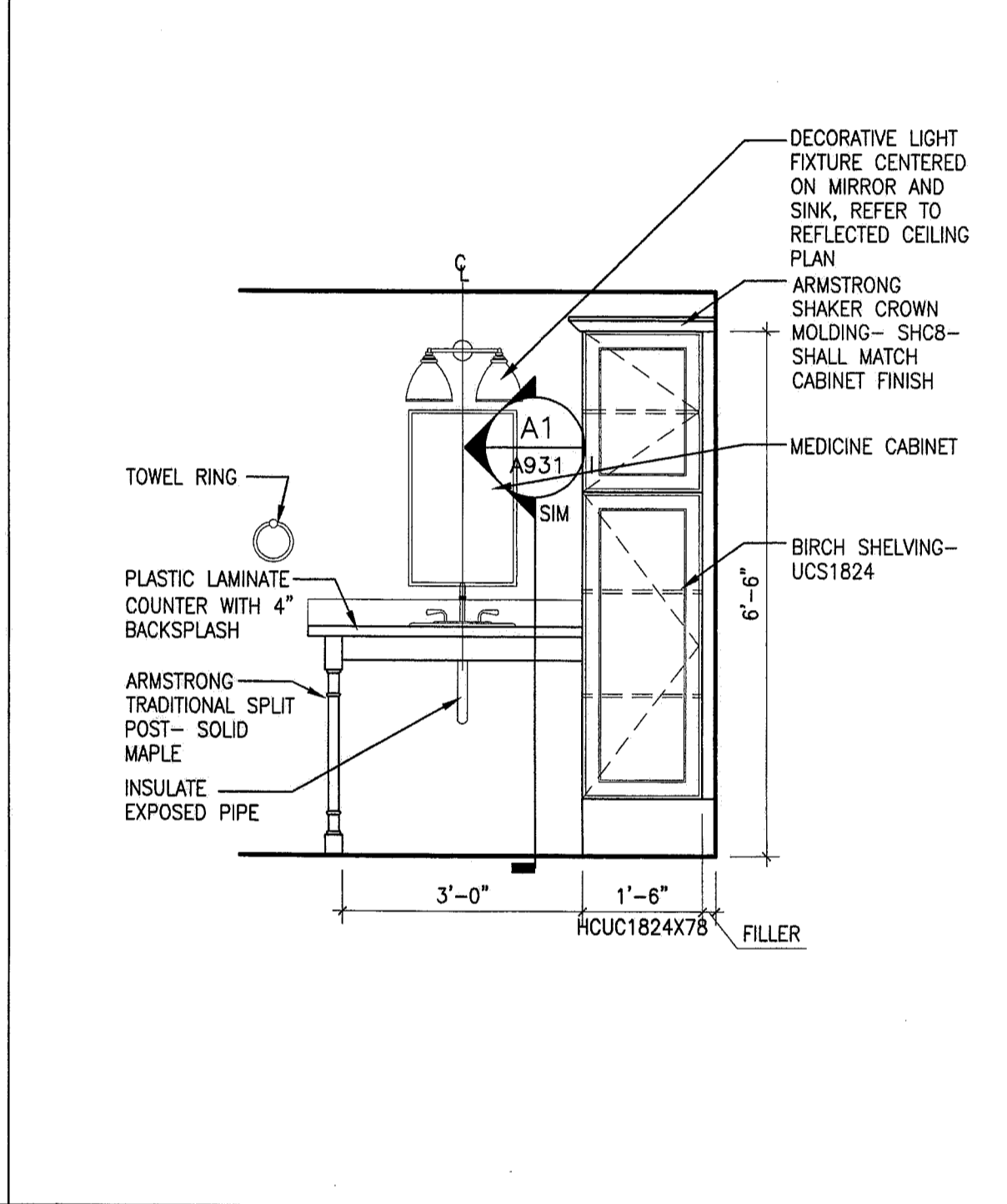
M9 KITCHEN ELEVATION
 1/2"=1'-0" NORTH ELEVATION- APT 305 AND 306



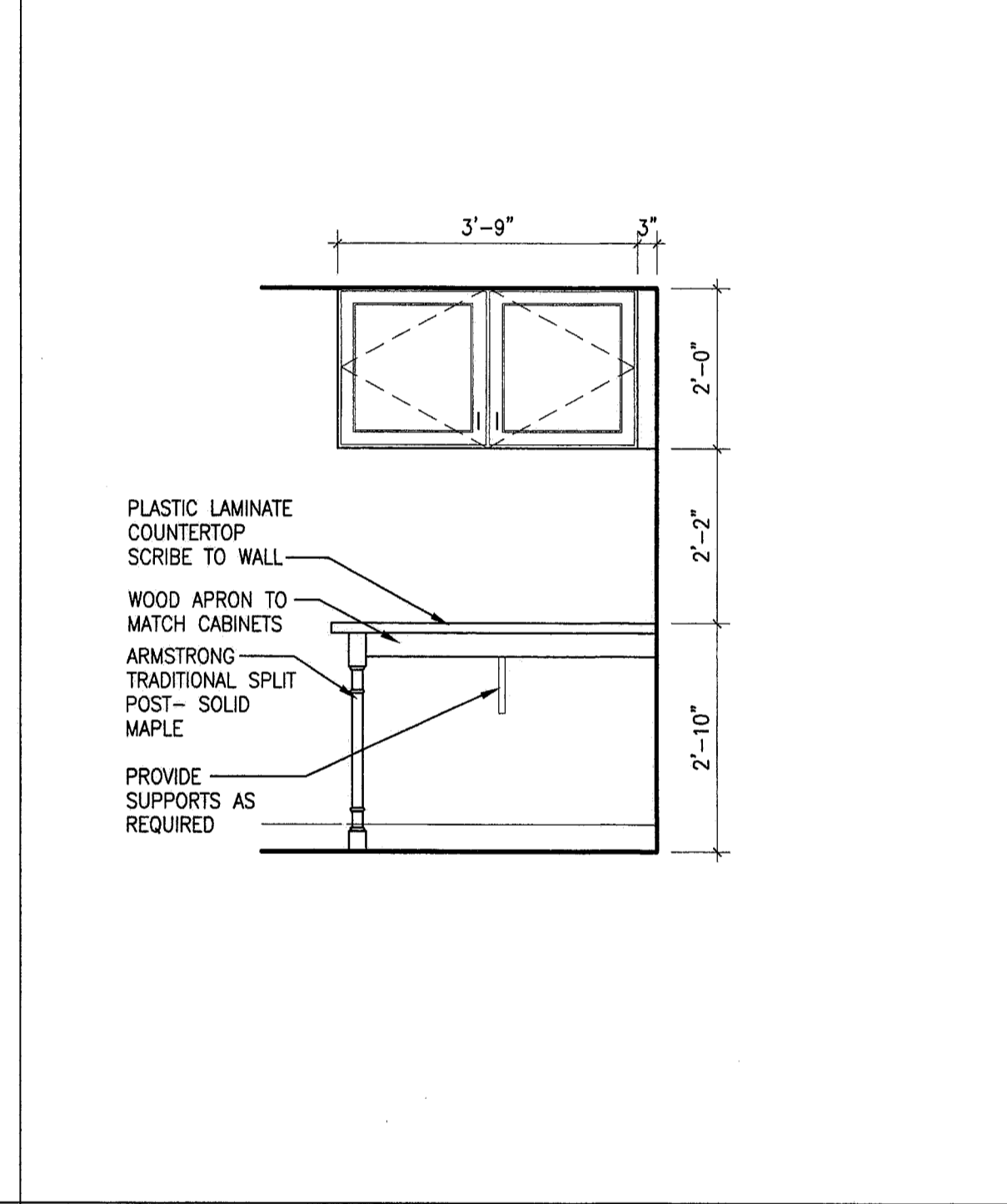
M5 KITCHEN ELEVATION
 1/2"=1'-0" SOUTHEAST ELEVATION- APT 304



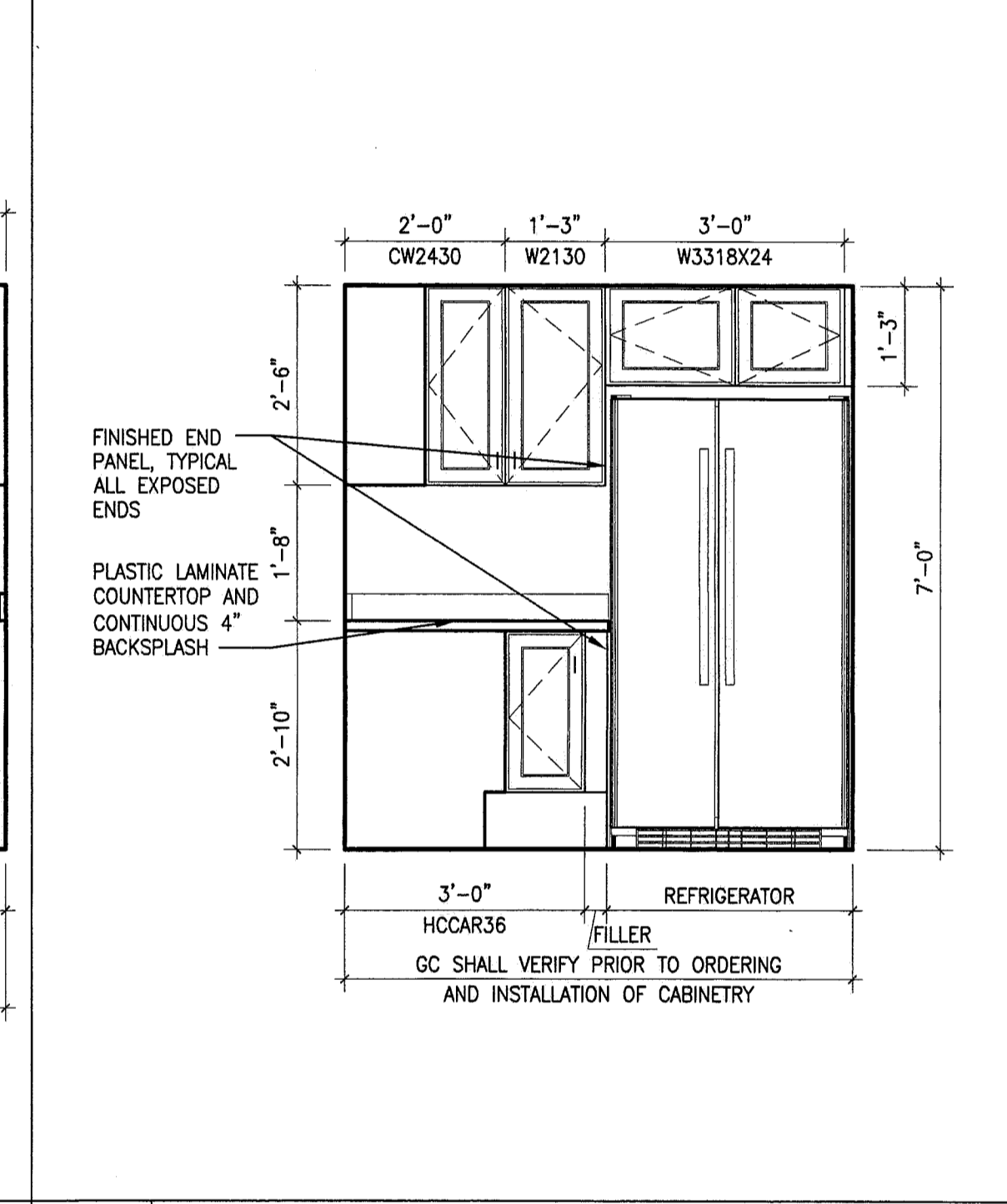
M1 KITCHEN ELEVATION
 1/2"=1'-0" SOUTH ELEVATION- APT 304



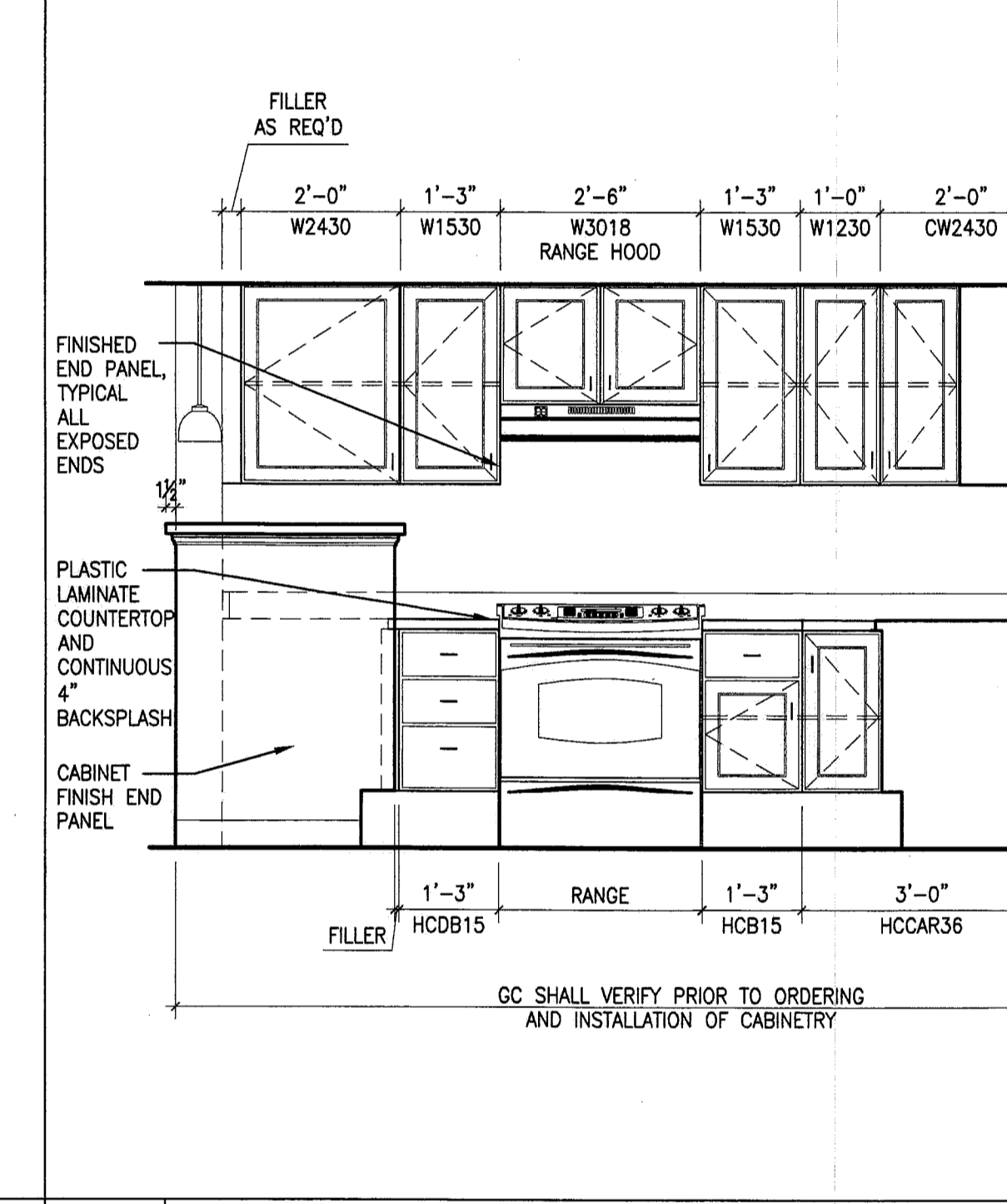
F17 BATHROOM ELEVATION
 1/2"=1'-0" WEST ELEVATION- APT 307



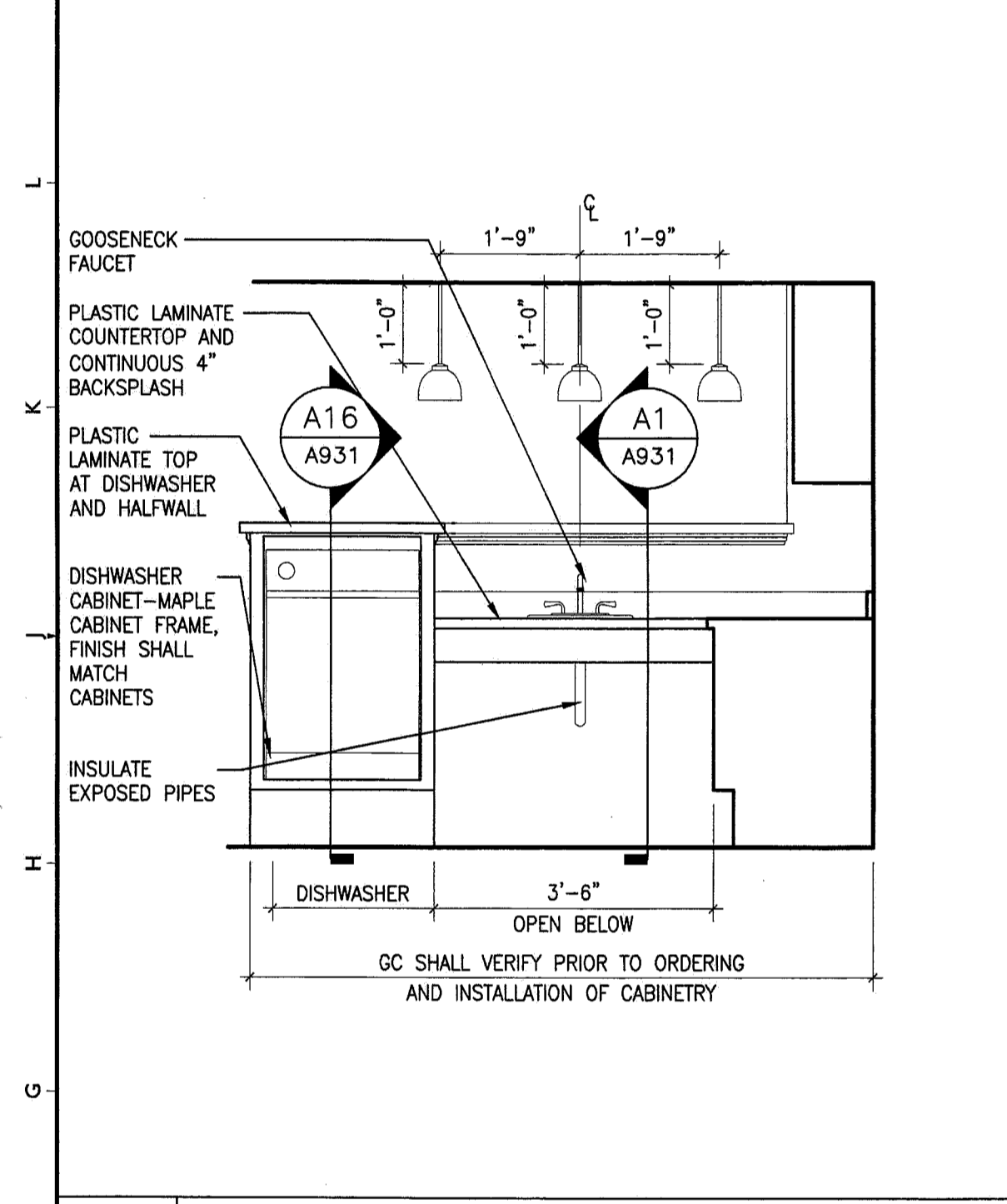
F13 BATHROOM ELEVATION
 1/2"=1'-0" SOUTH ELEVATION- APT 307



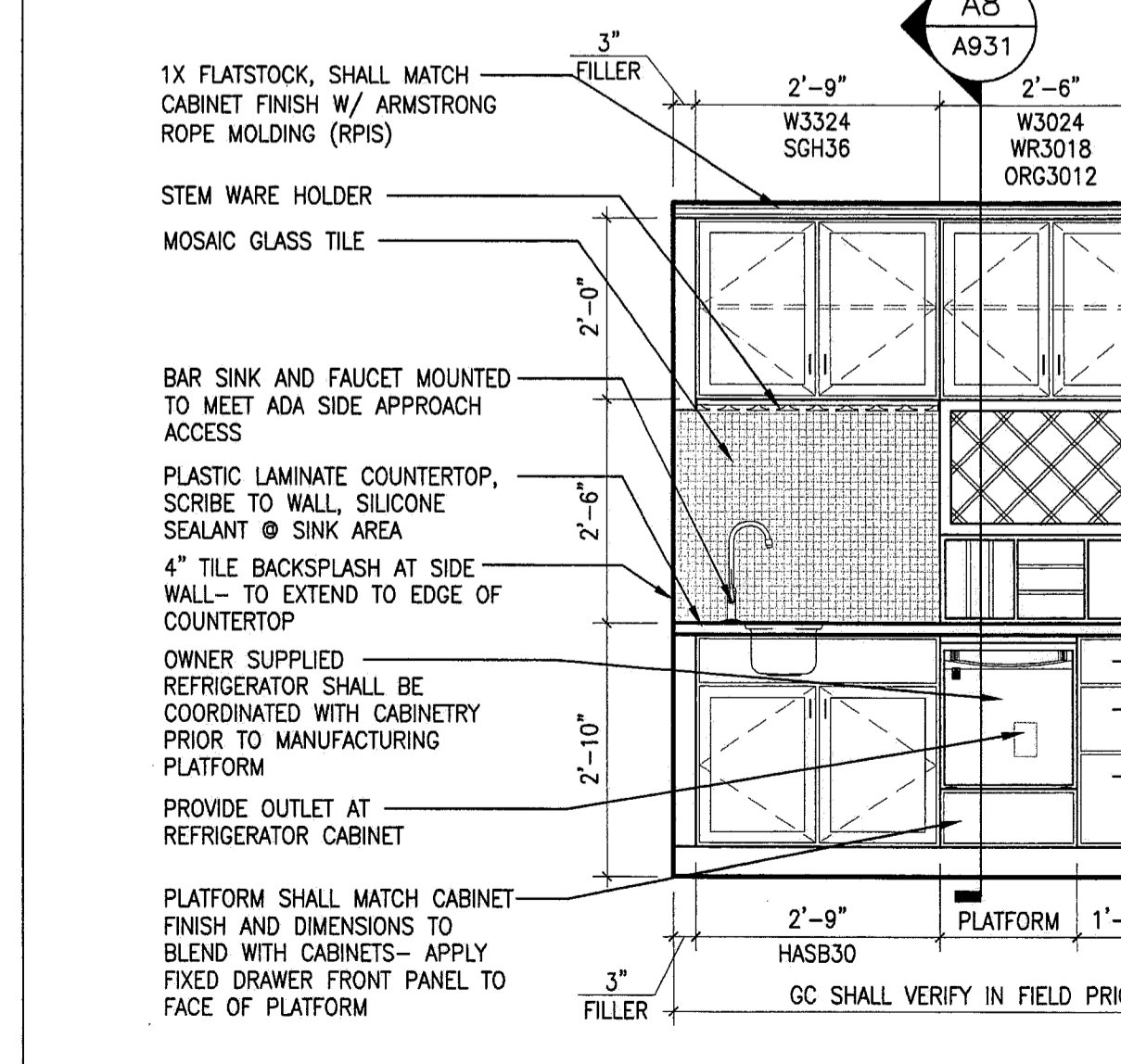
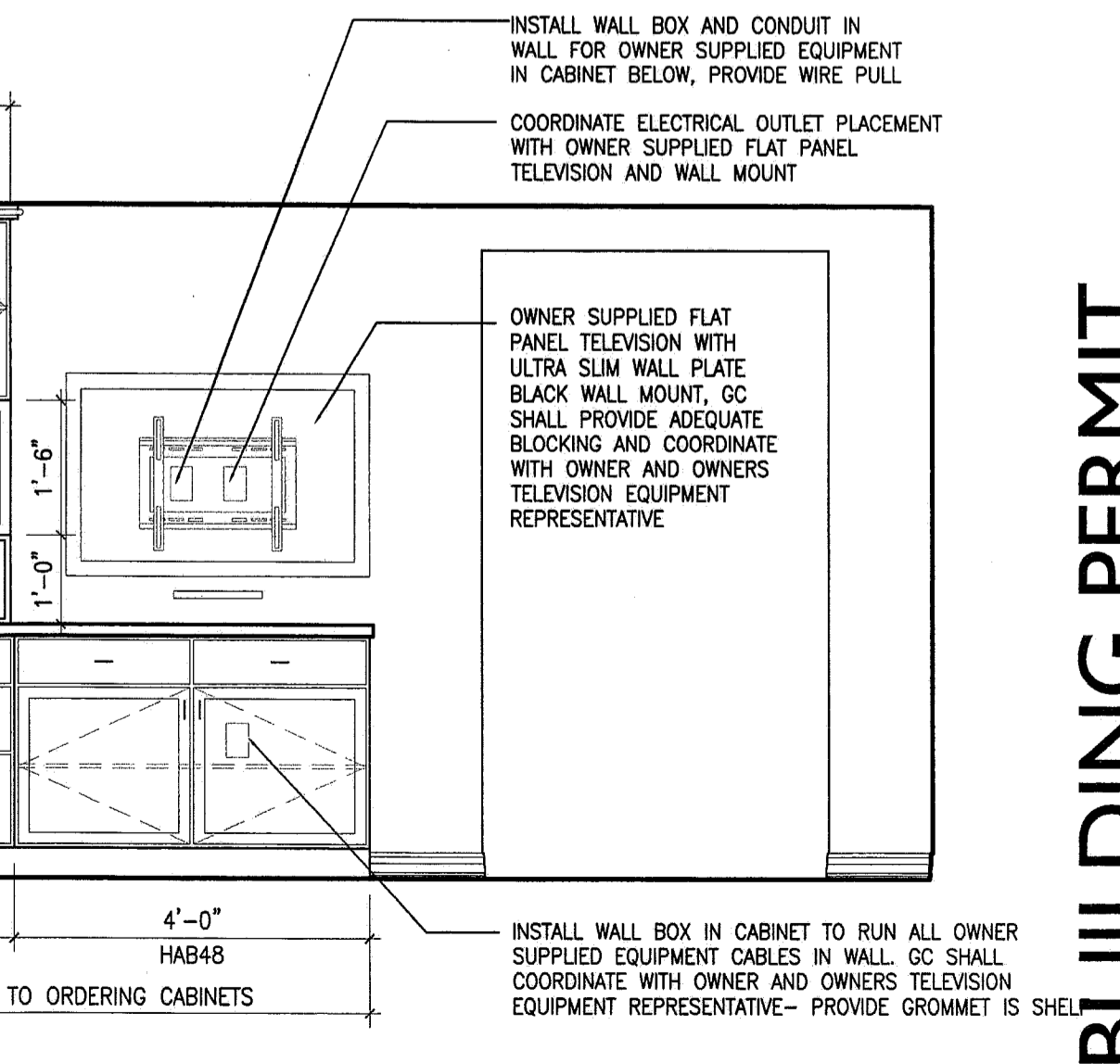
F9 KITCHEN ELEVATION
 1/2"=1'-0" EAST ELEVATION- APT 307



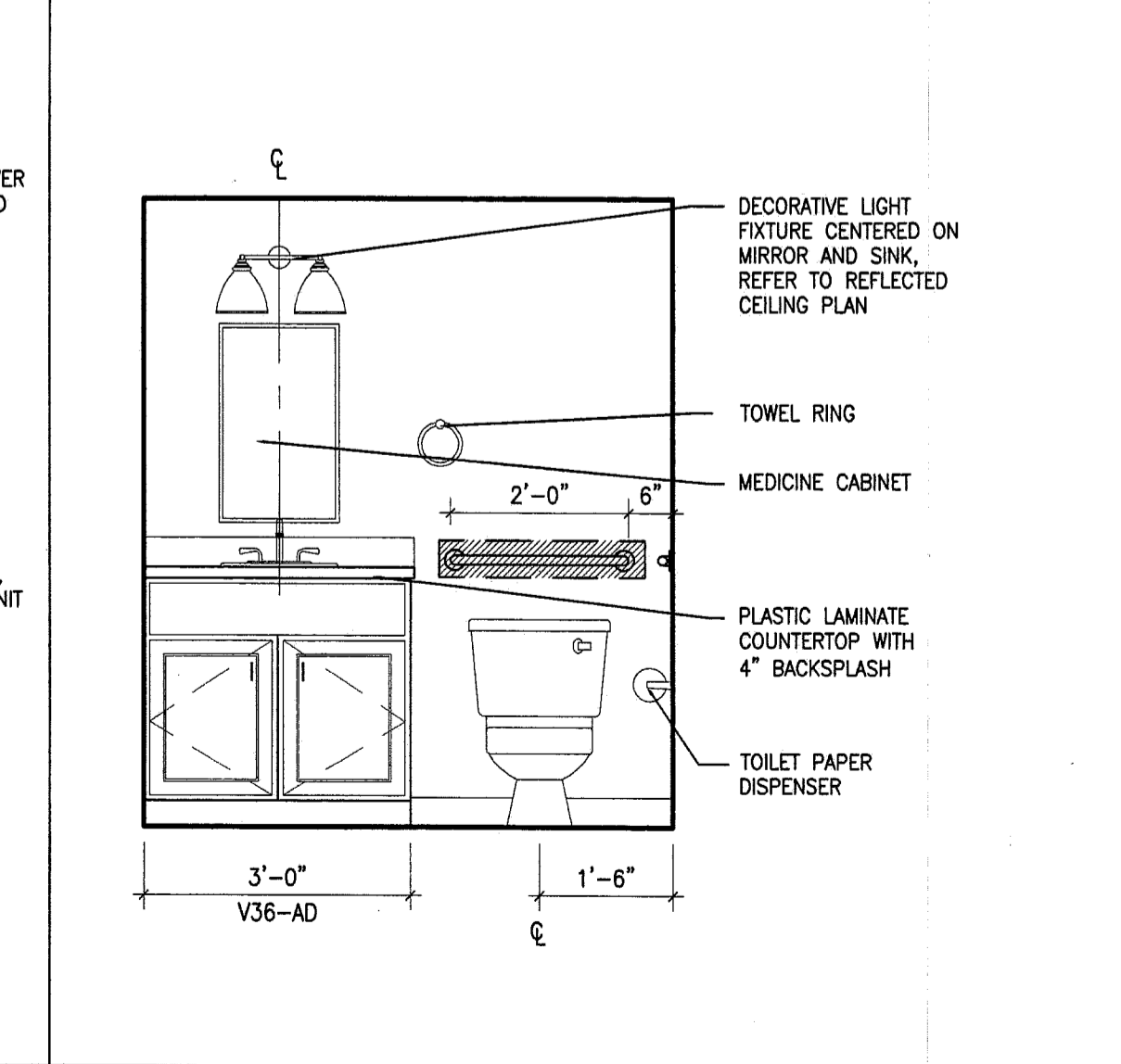
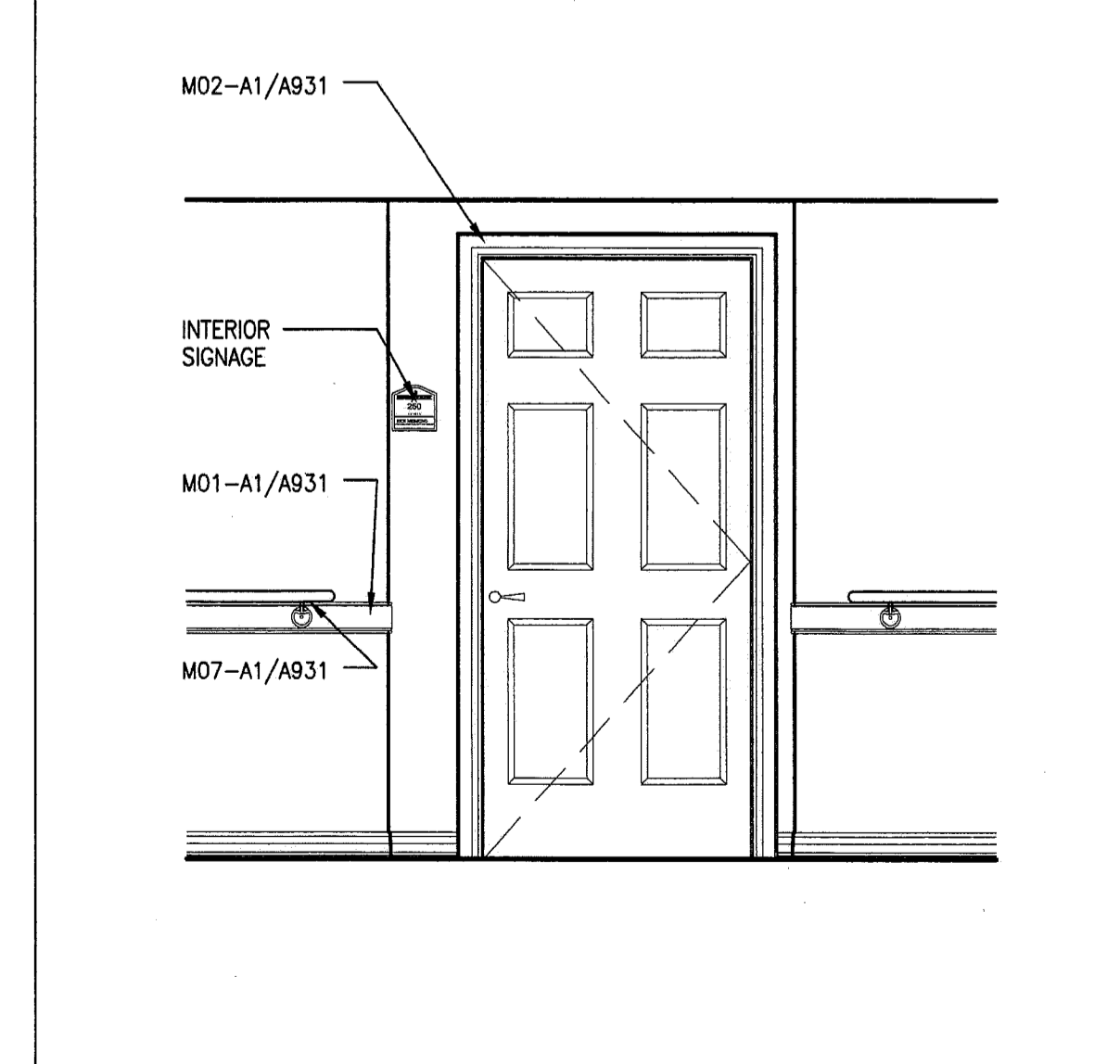
F5 KITCHEN ELEVATION
 1/2"=1'-0" NORTH ELEVATION- APT 307



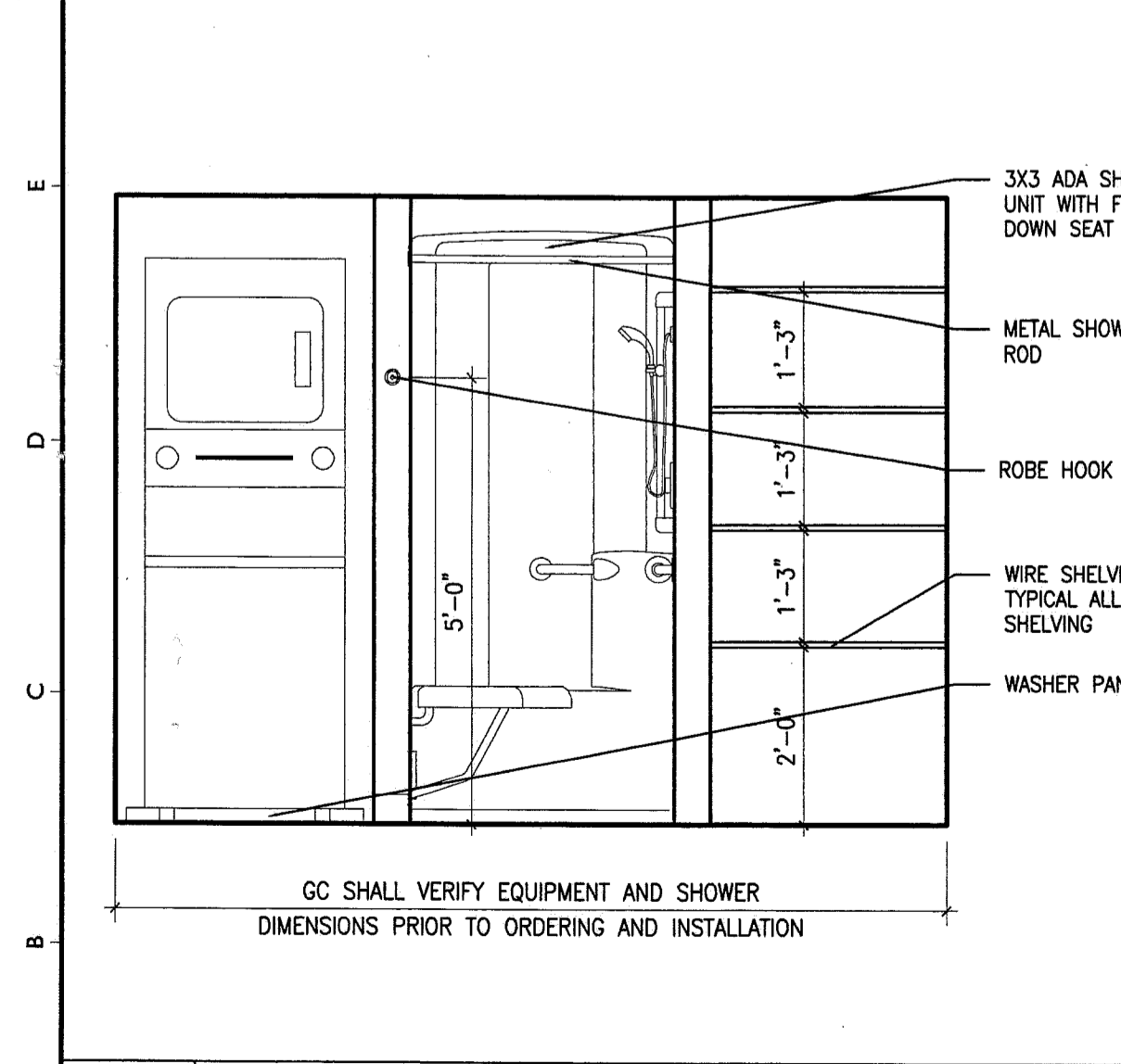
F1 KITCHEN ELEVATION
 1/2"=1'-0" WEST ELEVATION- APT 307



A13 GAME ROOM WETBAR
 1/2"=1'-0"



A5 TYPICAL BATHROOM ELEVATION
 1/2"=1'-0" VANITY AND TOILET



A1 TYPICAL BATHROOM ELEVATION
 1/2"=1'-0" WASHER/DRYER, SHOWER LINEN SHELVES

BUILDING PERMIT