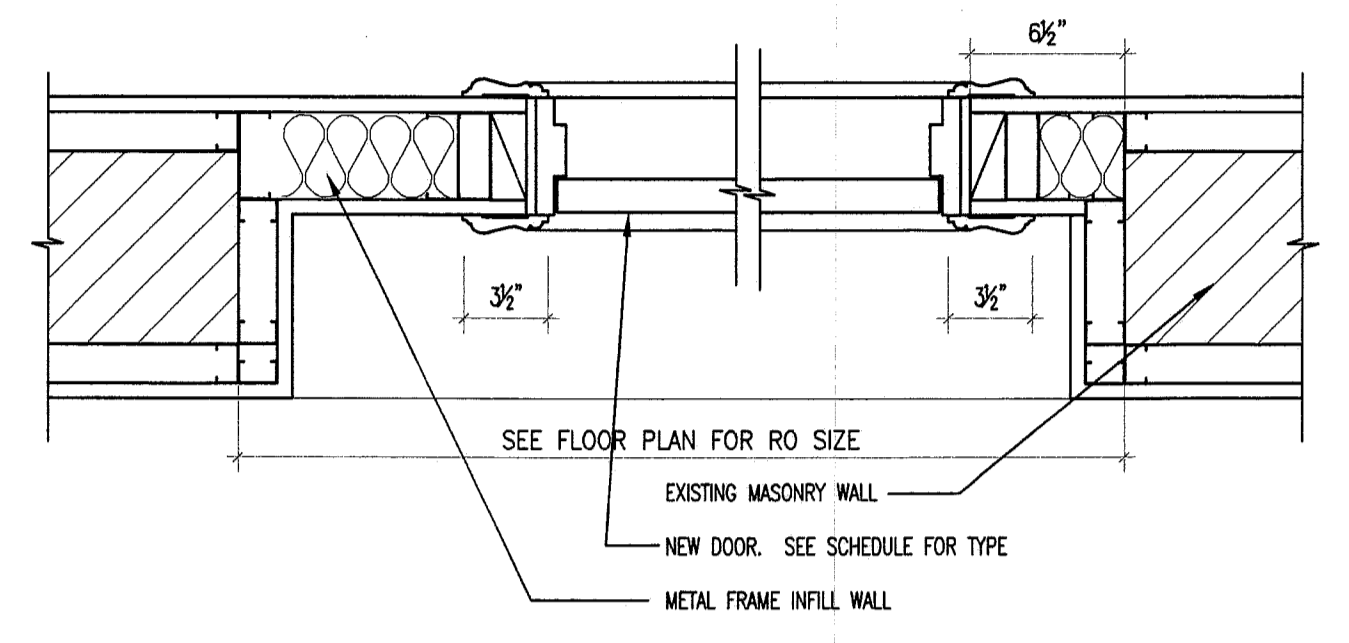
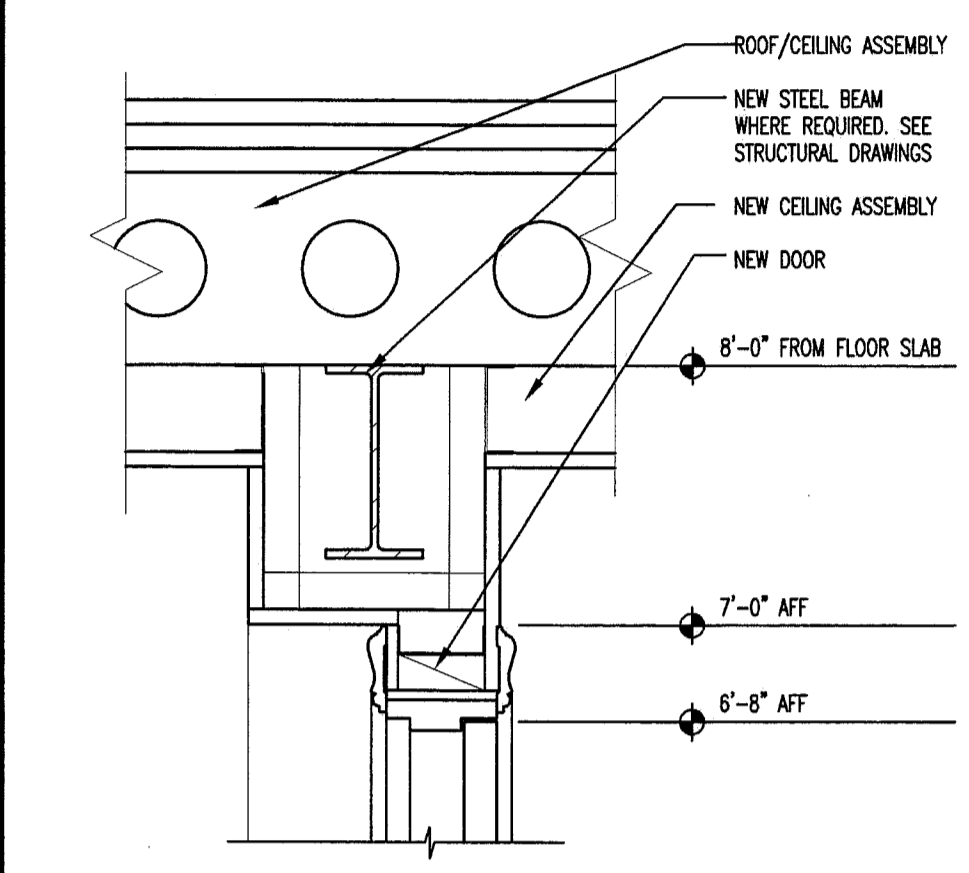


P1 WINDOW SCHEDULE

1/4"=1'-0"

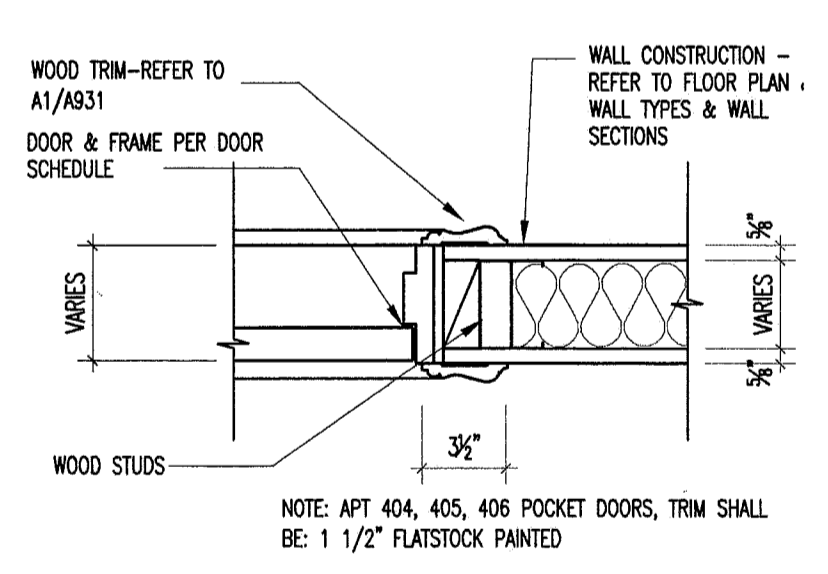
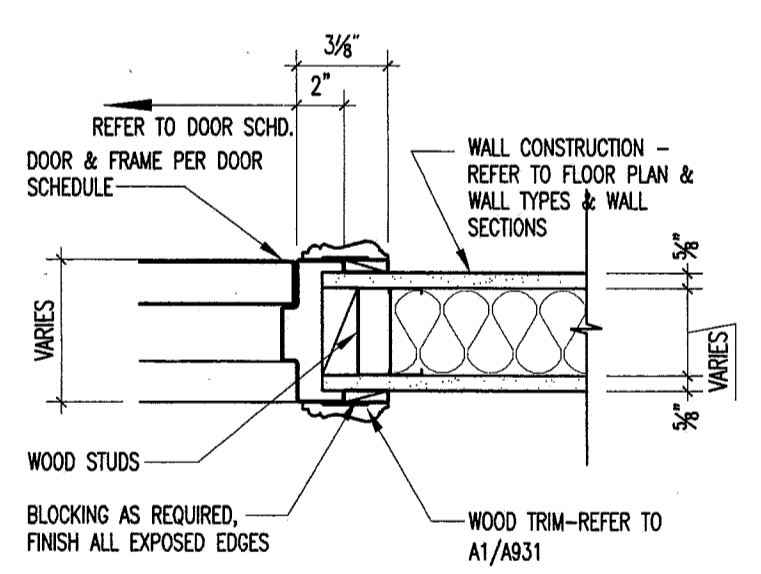


H1 DOOR HEAD DETAIL

1 1/2"=1'-0"

H5 DOOR HEAD DETAIL

1 1/2"=1'-0"

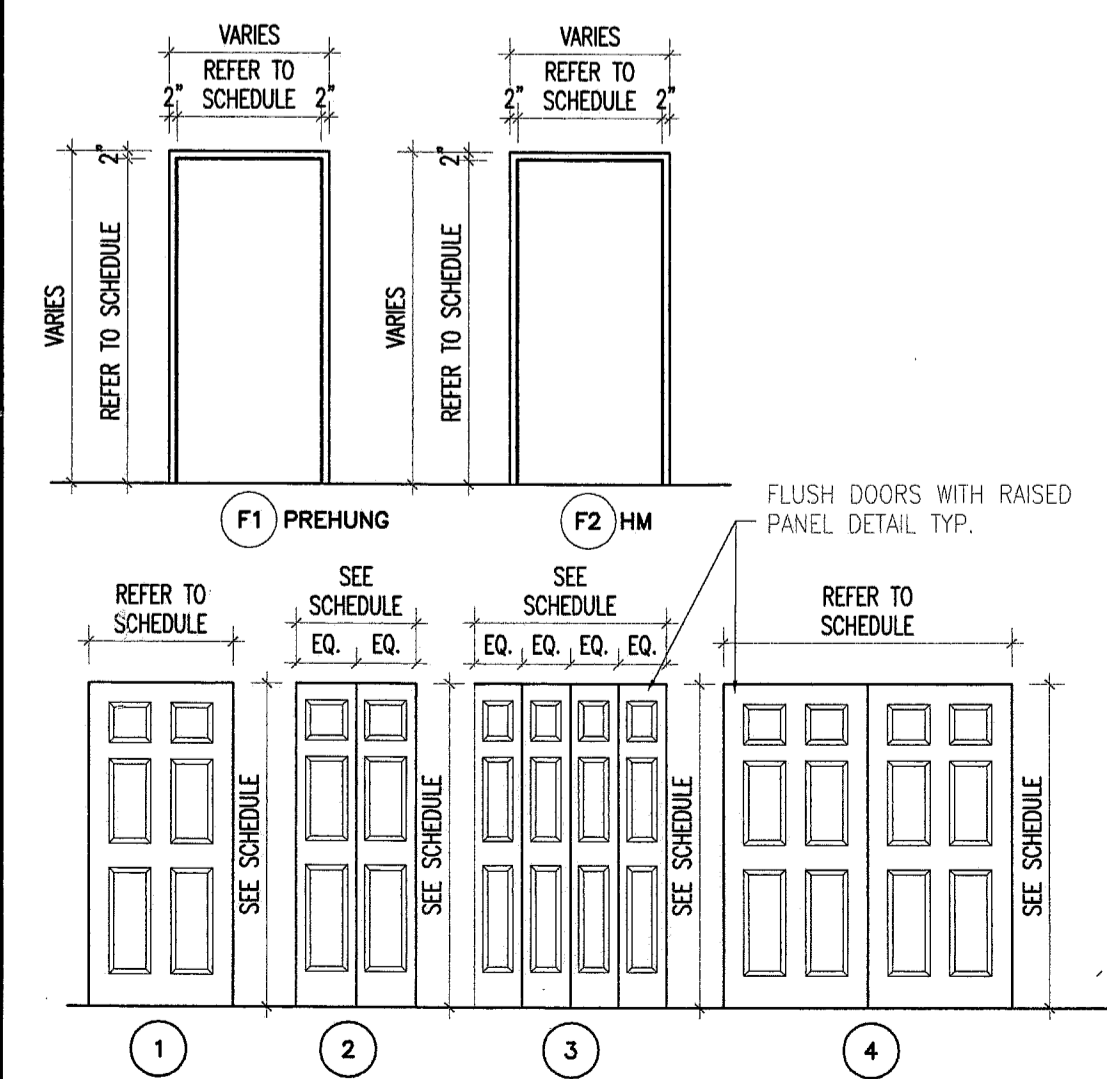


E5 JAMB - RATED ASSEMBLY

1 1/2"=1'-0"

E9 JAMB - NON RATED

1 1/2"=1'-0"



A1 DOOR & FRAME TYPES

1/4"=1'-0"

A5 DOOR HEAD - RATED

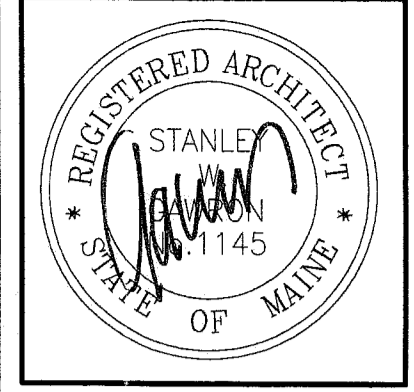
1 1/2"=1'-0"

A9 DOOR HEAD - NON RATED

1 1/2"=1'-0"

DOOR SCHEDULE												DOOR SCHEDULE ABBREVIATIONS				
NO	TYPE	SIZE	THK	MAT.	FINISH	REMARKS	TYPE	MAT.	DETAILS		FINISH	REMARKS	MAT.	SILL CONDITION		RATING
									HEAD	JAMB				SILL	HEIGHT	
300A		3'-0" X 6'-8"			REPAINT	EXISTING					REPAINT	EXISTING				2 HR
301A	1	3'-0" X 6'-8"	1-3/4"	SCWD	PAINT		F2	HM	A5	E5	PAINT					45 MIN
301B	1	3'-0" X 6'-8"	1-3/8"	WD	PAINT		F1	WD	A9	E9	PAINT					
301C	2	3'-0" X 6'-8"	1-3/8"	WD	PAINT	BIFOLD	F1	WD	A9	E9	PAINT	BIFOLD				
301D	2	3'-0" X 6'-8"	1-3/8"	WD	PAINT	BIFOLD	F1	WD	A9	E9	PAINT	BIFOLD				
301E	1	2'-8" X 6'-8"	1-3/8"	SCWD	PAINT	POCKET	F1	WD	A9	E9	PAINT	POCKET				
302A	1	3'-0" X 6'-8"	1-3/4"	SCWD	PAINT		F2	HM	A5	E5	PAINT					45 MIN
302B	1	2'-0" X 6'-8"	1-3/8"	WD	PAINT		F1	WD	A9	E9	PAINT					
302C	1	3'-0" X 6'-8"	1-3/8"	WD	PAINT		F1	WD	A12	A16	PAINT					
302D	2	(2)2'-0" X 6'-8"	1-3/8"	WD	PAINT	BIFOLD	F1	WD	A9	E9	PAINT	BIFOLD				
302E	1	2'-8" X 6'-8"	1-3/8"	SCWD	PAINT	POCKET	F1	WD	A9	E9	PAINT	POCKET				
303A	1	3'-0" X 6'-8"	1-3/4"	SCWD	PAINT		F2	HM	A5	E5	PAINT					45 MIN
303B	1	2'-0" X 6'-8"	1-3/8"	WD	PAINT		F1	WD	A9	E9	PAINT					
303C	2	(2)2'-6" X 6'-8"	1-3/8"	WD	PAINT	BIFOLD	F1	WD	A9	E9	PAINT	BIFOLD				
303D	1	2'-8" X 6'-8"	1-3/8"	WD	PAINT		F1	WD	A9	E9	PAINT					
303E	3	(2)3'-0" X 6'-8"	1-3/8"	WD	PAINT	BIFOLD	F1	WD	A9	E9	PAINT	BIFOLD				
303F	1	2'-8" X 6'-8"	1-3/8"	WD	PAINT		F1	WD	A9	E9	PAINT					
303G	1	2'-8" X 6'-8"	1-3/8"	WD	PAINT		F1	WD	A9	E9	PAINT					
303H	2	3'-0" X 6'-8"	1-3/8"	WD	PAINT	BIFOLD	F1	WD	A9	E9	PAINT	BIFOLD				
303J	3	(2)2'-0" X 6'-8"	1-3/8"	WD	PAINT	BIFOLD	F1	WD	A9	E9	PAINT	BIFOLD				
304A	1	3'-0" X 6'-8"	1-3/4"	SCWD	PAINT		F2	HM	A5	E5	PAINT					45 MIN
304B	2	3'-0" X 6'-8"	1-3/8"	WD	PAINT	BIFOLD	F1	WD	A12	A16	PAINT	BIFOLD				
304C	1	2'-8" X 6'-8"	1-3/8"	WD	PAINT		F1	WD	A9	E9	PAINT					
304D	1	2'-8" X 6'-8"	1-3/8"	SCWD	PAINT	POCKET	F1	WD	A9	E9	PAINT	POCKET				
304E	2	(2)2'-6" X 6'-8"	1-3/8"	WD	PAINT	BIFOLD	F1	WD	A9	E9	PAINT	BIFOLD				
305A	1	3'-0" X 6'-8"	1-3/4"	SCWD	PAINT		F2	HM	A5	E5	PAINT					45 MIN
305B	1	2'-8" X 6'-8"	1-3/8"	WD	PAINT		F1	WD	A9	E9	PAINT					
305C	1	2'-8" X 6'-8"	1-3/8"	SCWD	PAINT	POCKET	F1	WD	A9	E9	PAINT	POCKET				
305D	2	(2)2'-6" X 6'-8"	1-3/8"	WD	PAINT	BIFOLD	F1	WD	A9	E9	PAINT	BIFOLD				
306A	1	3'-0" X 6'-8"	1-3/4"	SCWD	PAINT		F2	HM	A5	E5	PAINT					45 MIN
306B	1	2'-8" X 6'-8"	1-3/8"	WD	PAINT		F1	WD	A9	E9	PAINT					
306C	1	2'-8" X 6'-8"	1-3/8"	SCWD	PAINT	POCKET	F1	WD	A9	E9	PAINT	POCKET				
306D	2	(2)2'-0" X 6'-8"	1-3/8"	WD	PAINT	BIFOLD	F1	WD	A9	E9	PAINT	BIFOLD				
307A	1	3'-0" X 6'-8"	1-3/4"	SCWD	PAINT		F2	HM	A5	E5	PAINT					45 MIN
307B	1	3'-0" X 6'-8"	1-3/8"	WD	PAINT		F1	WD	A9	E9	PAINT					
307C	1	3'-0" X 6'-8"	1-3/8"	WD	PAINT		F1	WD	A9	E9	PAINT					
307D	2	3'-0" X 6'-8"	1-3/8"	WD	PAINT	BIFOLD	F1	WD	A9	E9	PAINT	BIFOLD				
308A	4	(2)2'-0" X 6'-8"	1-3/4"	HM	PAINT	LOCK	F1	WD	A9	E9	PAINT	BIFOLD				45 MIN
309A	1	3'-0" X 6'-8"	1-3/8"	WD	PAINT		F1	WD	A9	E9	PAINT					
314A		3'-0" X 6'-8"			REPAINT	EXISTING					REPAINT	EXISTING				2 HR
314B		3'-0" X 6'-8"			REPAINT	EXISTING					REPAINT	EXISTING				
317A	1	3'-0" X 6'-8"	1-3/4"	SCWD	PAINT		F1	WD	A5	E5	PAINT					45 MIN

NOTE: PROVIDE ADA ACCEPTABLE SURFACE MOUNTED HANDLES ON ALL POCKET DOORS BOTH SIDES.



Gawron Turgeon ARCHITECTS
 29 Black Point Road
 Scarborough, Maine 04074
 www.gawronturgen.com
 207-883-4307 tel 207-883-0361 fax

SEVENTY-FIVE STATE STREET
 SOUTH HARBOR SIDE THIRD FLOOR RENOVATIONS
 PORTLAND MAINE

REVISIONS		
#	DATE	DESCRIPTION
1	07-15-08	PRICING SET

DATE:	08.05.08
PROJECT #:	020108
DRAWN BY:	KW
CHECKED BY:	KW
DRAWING SCALE:	N.A.

SHEET TITLE
 DOOR SCHEDULE TYPES & DETAILS

A801

© COPYRIGHT 1985-2008
 REPRODUCTION OR RELEASE OF THIS
 DOCUMENT WITHOUT WRITTEN
 PERMISSION OF GAWRON TURGEON
 ARCHITECTS IS PROHIBITED.

BUILDING PERMIT