

Gawron Turgeon ARCHITECTS
 29 Black Point Road
 Scarborough, Maine 04074
 www.gawronturgeo.com
 207-881-6307 ext. 207-883-0361 fax

SEVENTY-FIVE STATES STREET
 SOUTH HARBORSIDE THIRD FLOOR RENOVATIONS
 PORTLAND MAINE

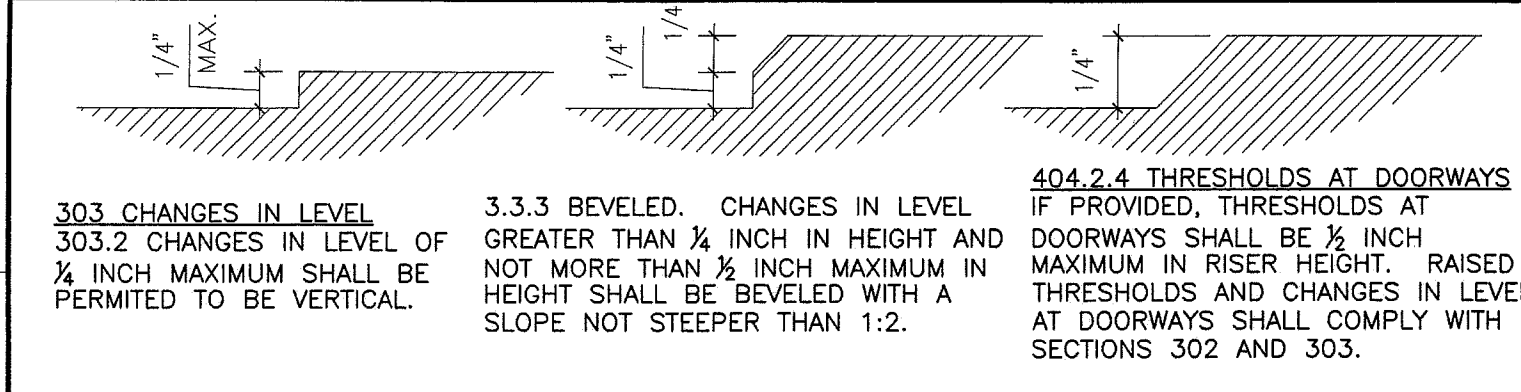
REVISIONS		
#	DATE	DESCRIPTION
1	07-15-08	PRICING SET

DATE	08.05.08
PROJECT #	020108
DRAWN BY:	KW
CHECKED BY:	
DRAWING SCALE	NTS

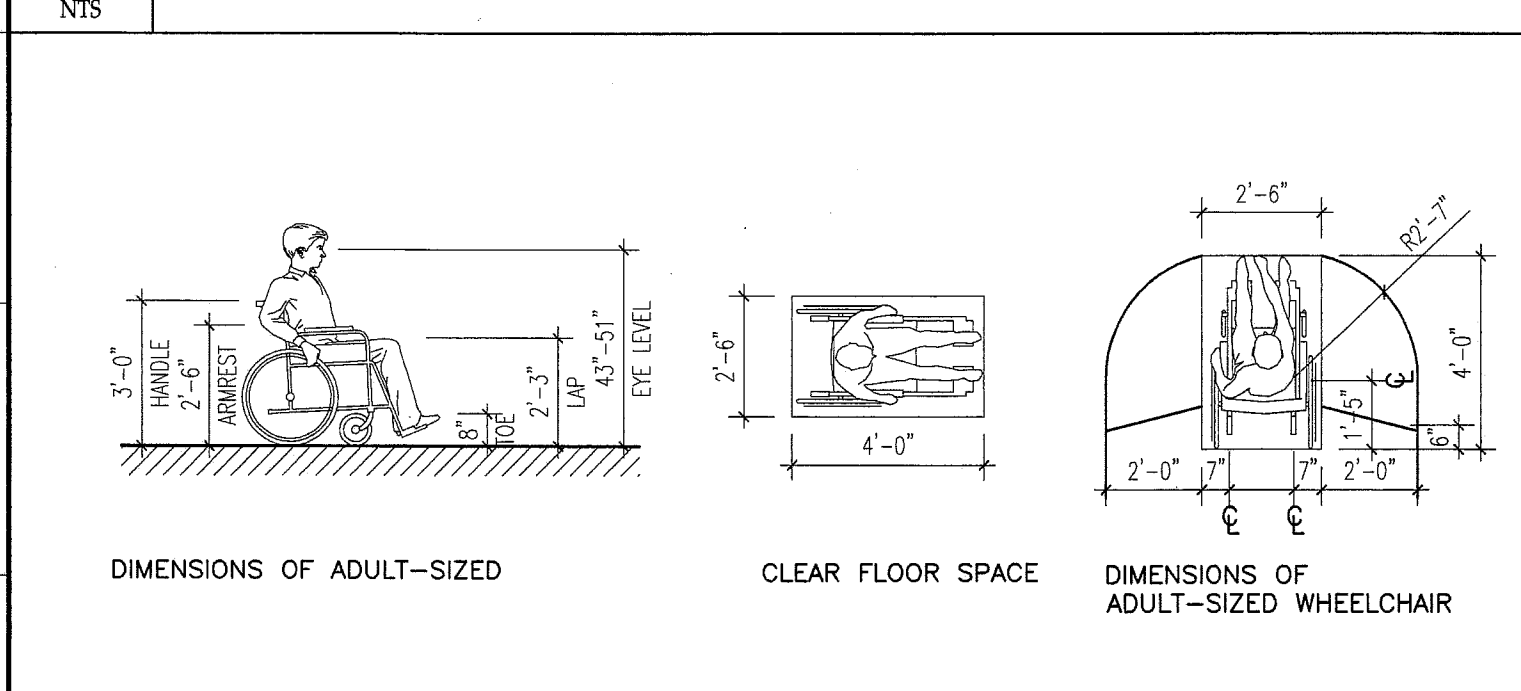
SHEET TITLE
 STANDARD ADA DETAILS

G104

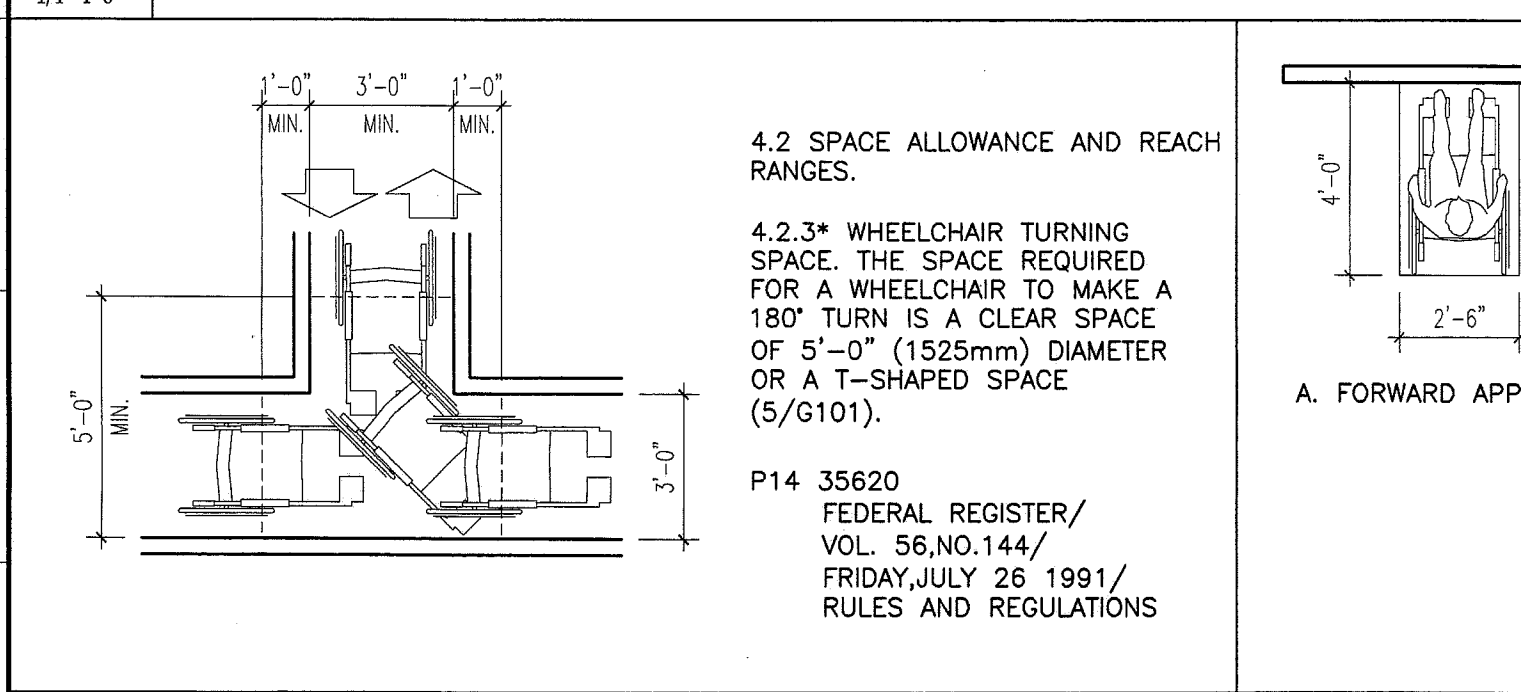
© COPYRIGHT 1985-2008
 REPRODUCTION OR USE OF THIS
 DOCUMENT WITHOUT WRITTEN
 PERMISSION OF GAWRON TURGEON
 ARCHITECTS IS PROHIBITED.



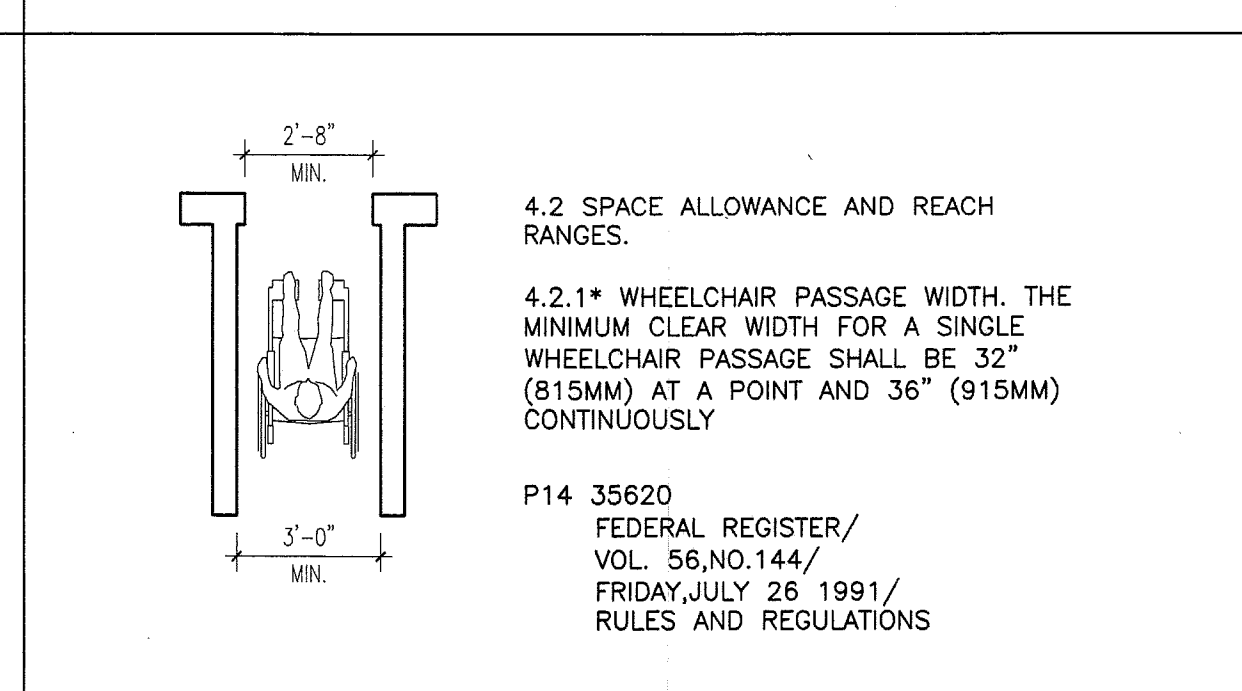
P1 MIN. CHANGES IN LEVEL & DOOR THRESHOLDS



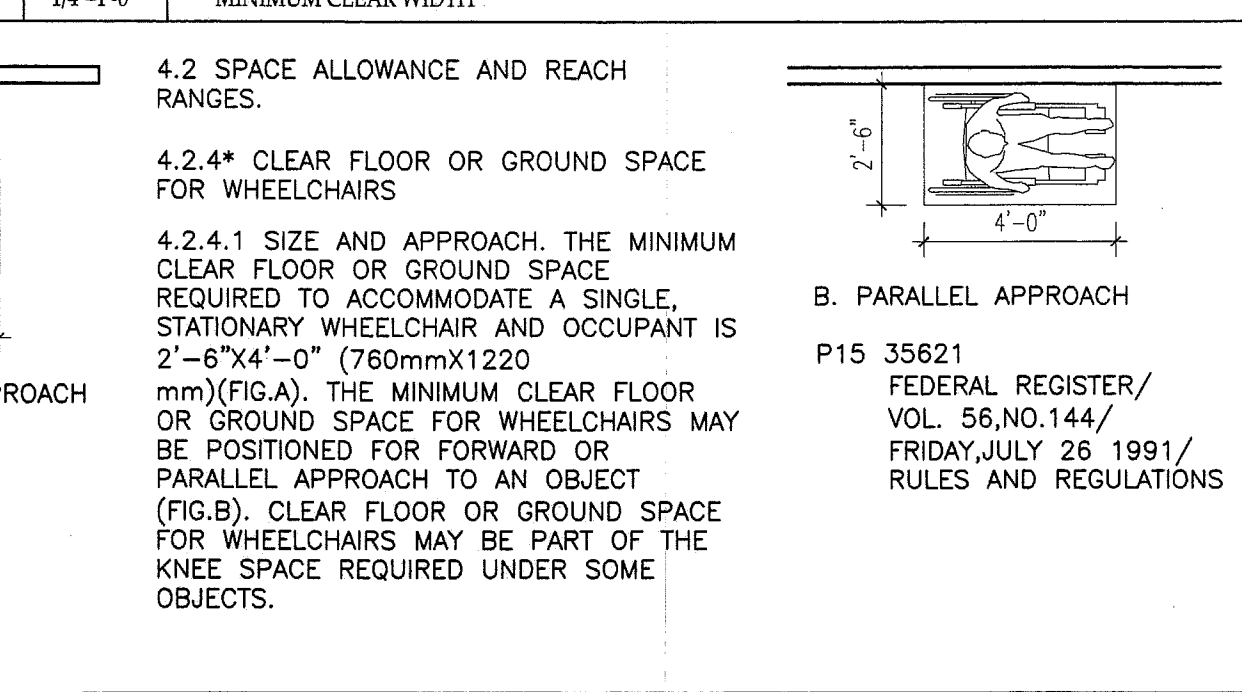
M1 ADULT-SIZED WHEELCHAIR DETAILS



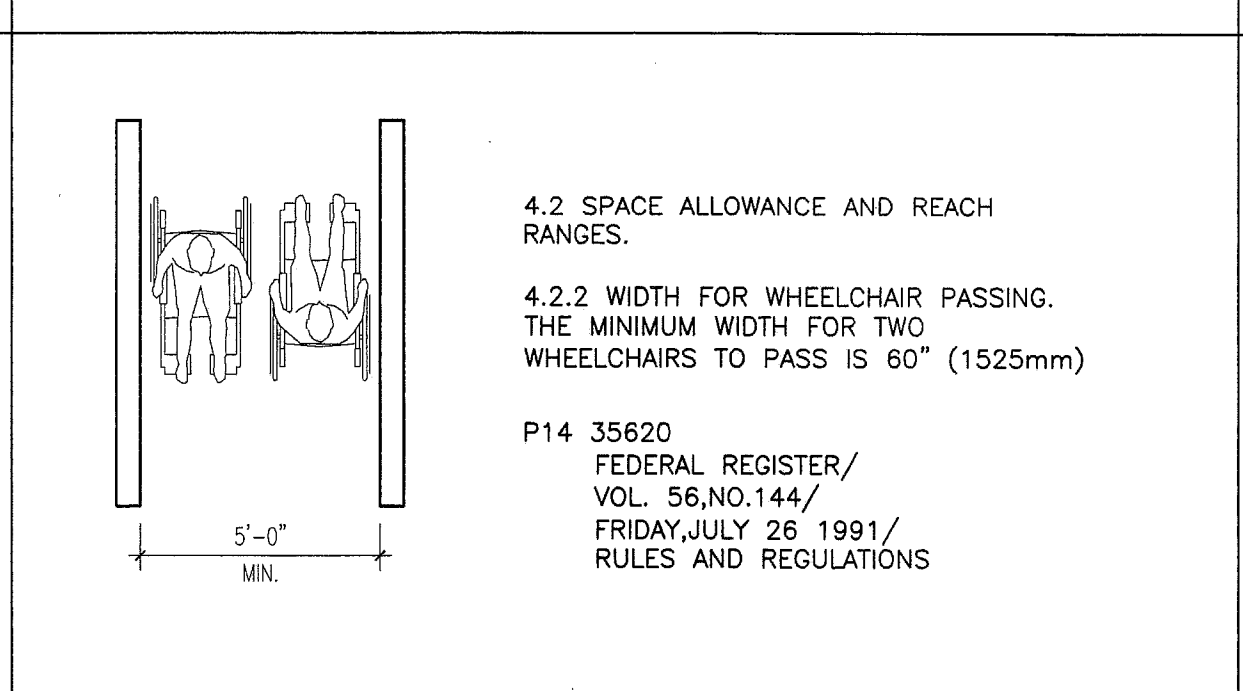
M6 SINGLE WHEELCHAIR



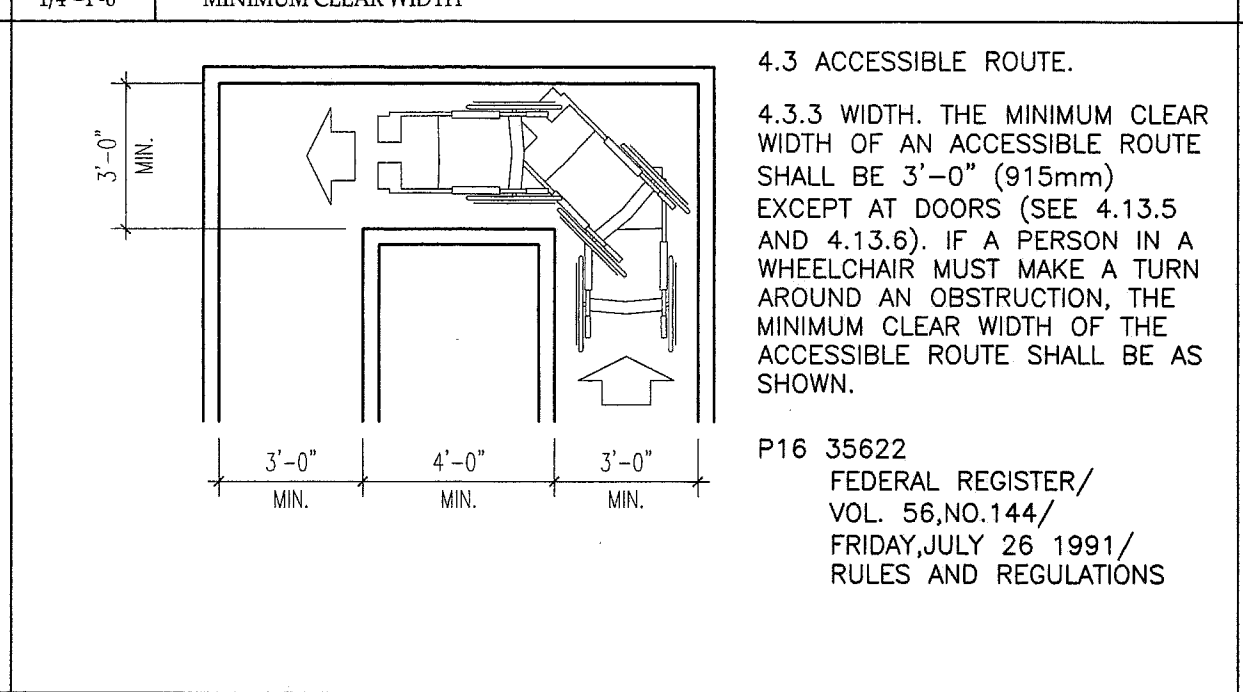
M10 TWO WHEELCHAIR



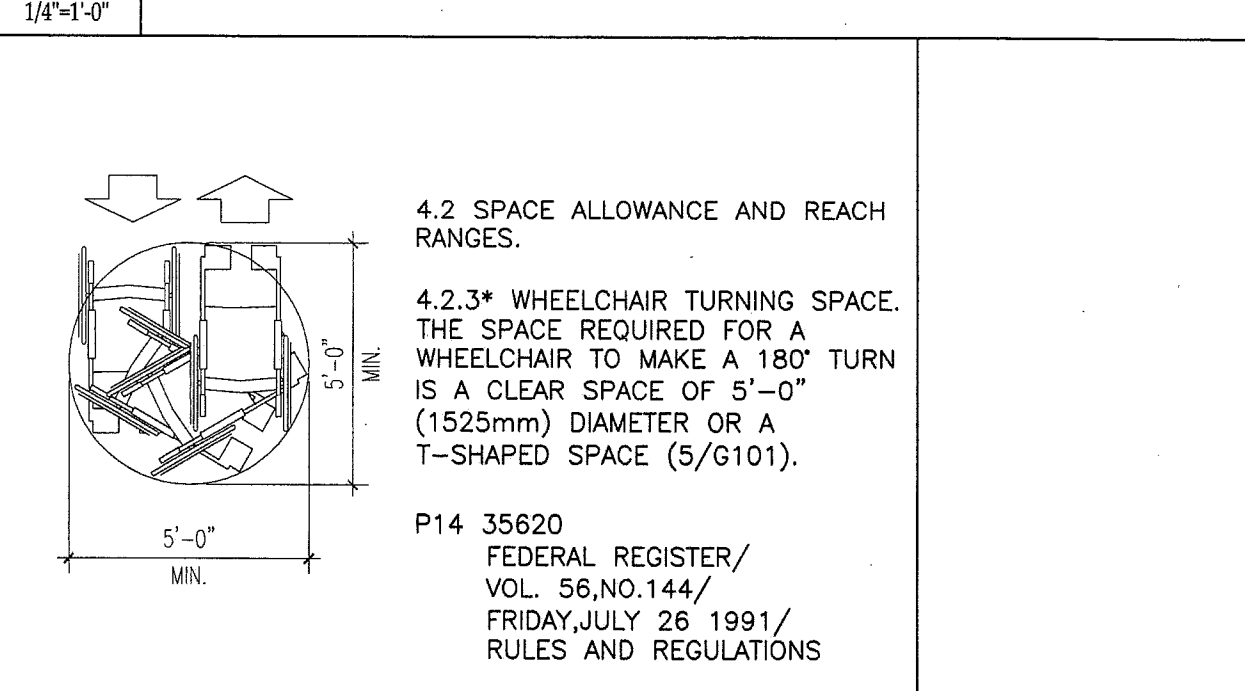
P14 STAIR HANDRAIL EXTENSION



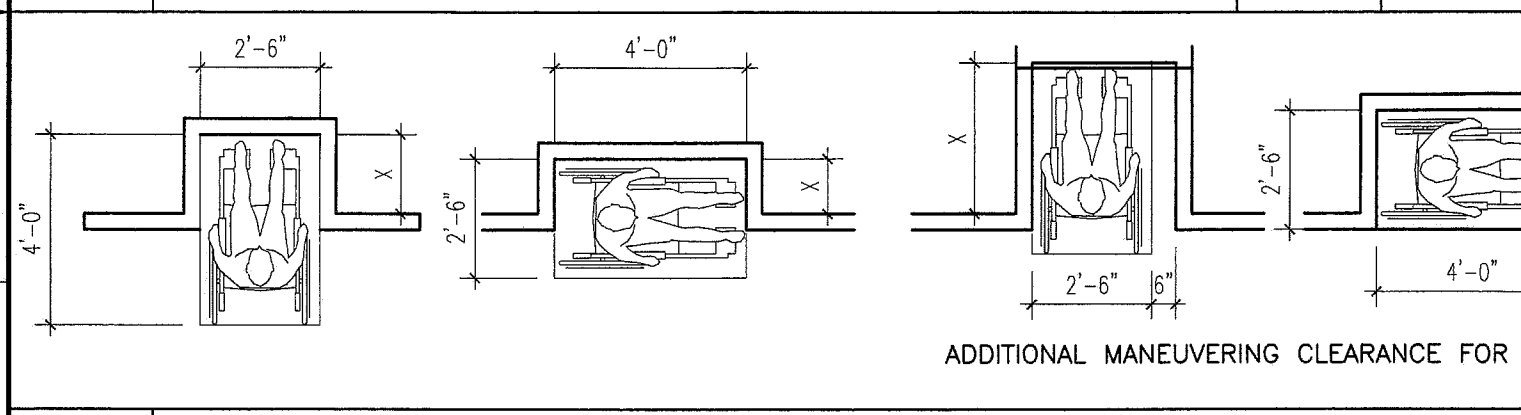
M14 TURNING SPACE



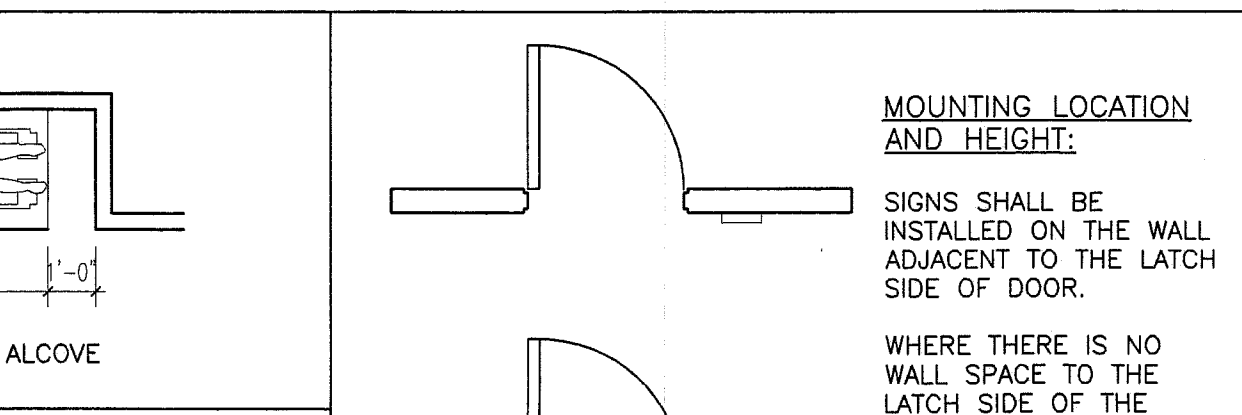
M17 CANE CLEARANCES



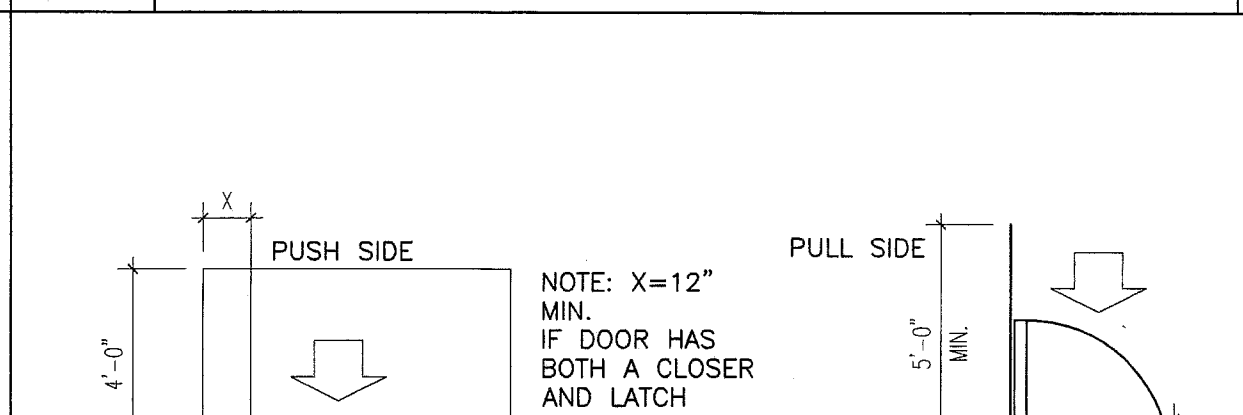
J1 T-SHAPED SPACE FOR 180° TURNS



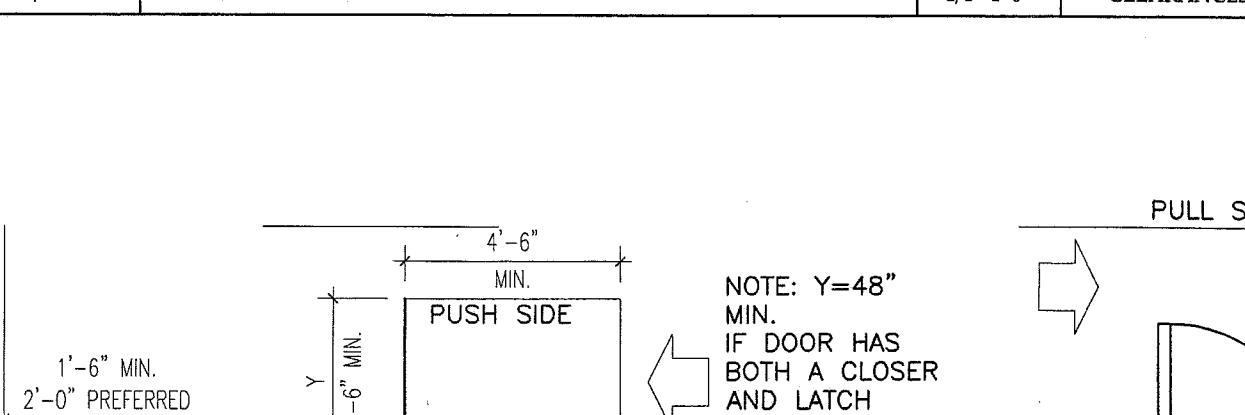
J5 FORWARD AND PARALLEL APPROACHES



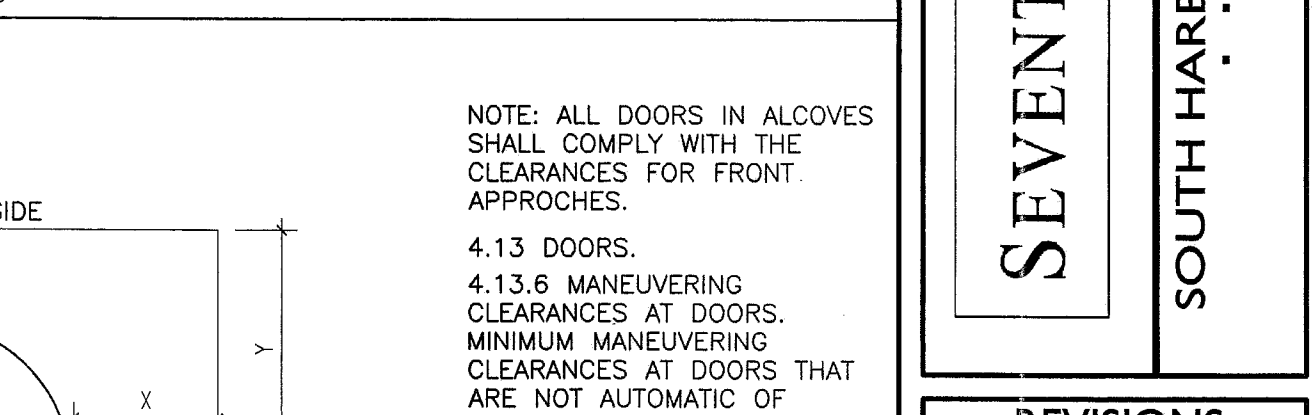
J10 90° TURNS



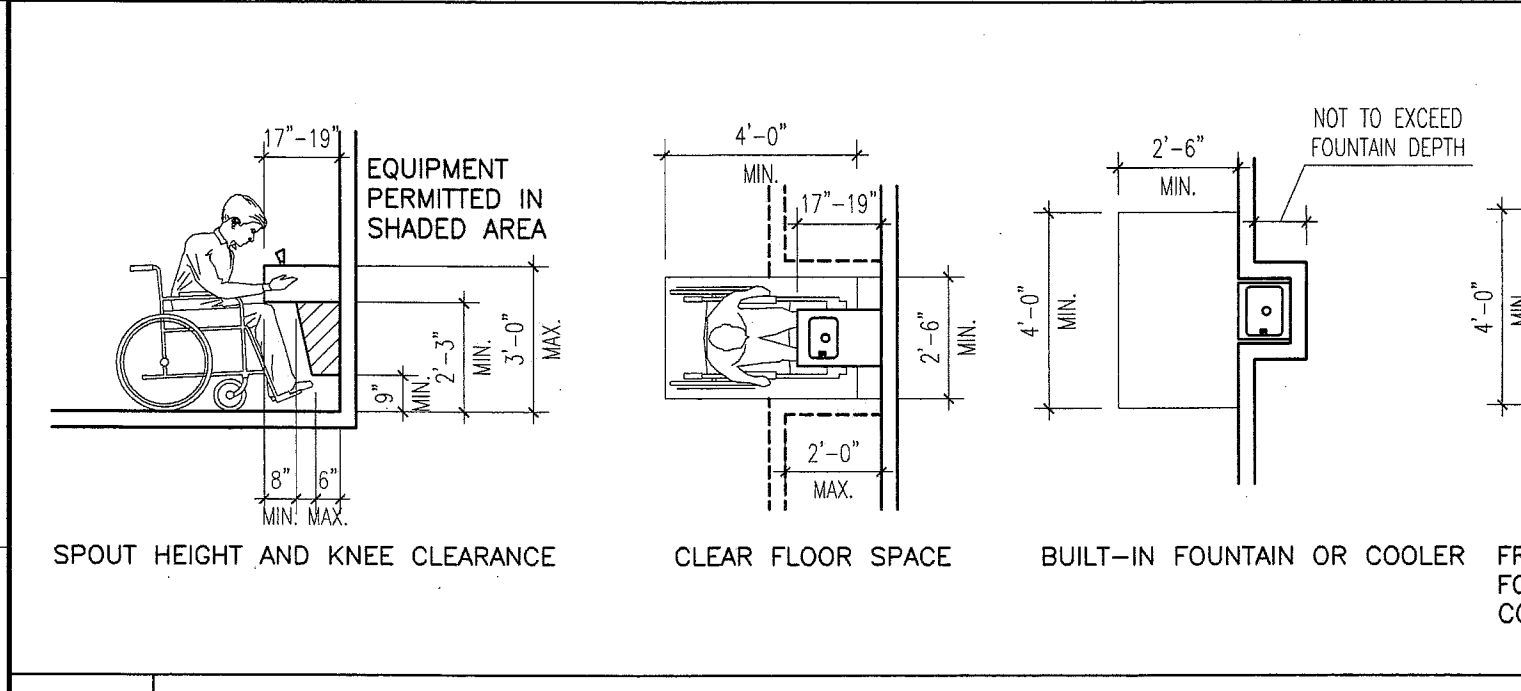
J14 TURN AROUND



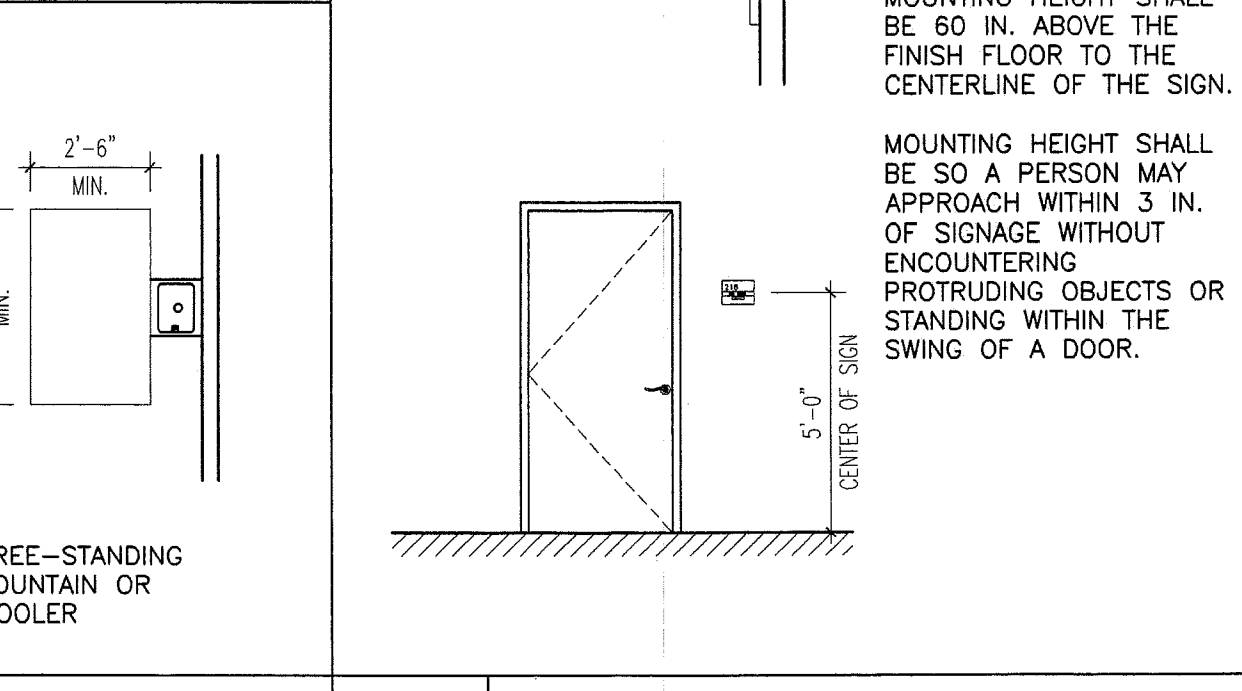
J17 WALL MOUNTED FIXTURES



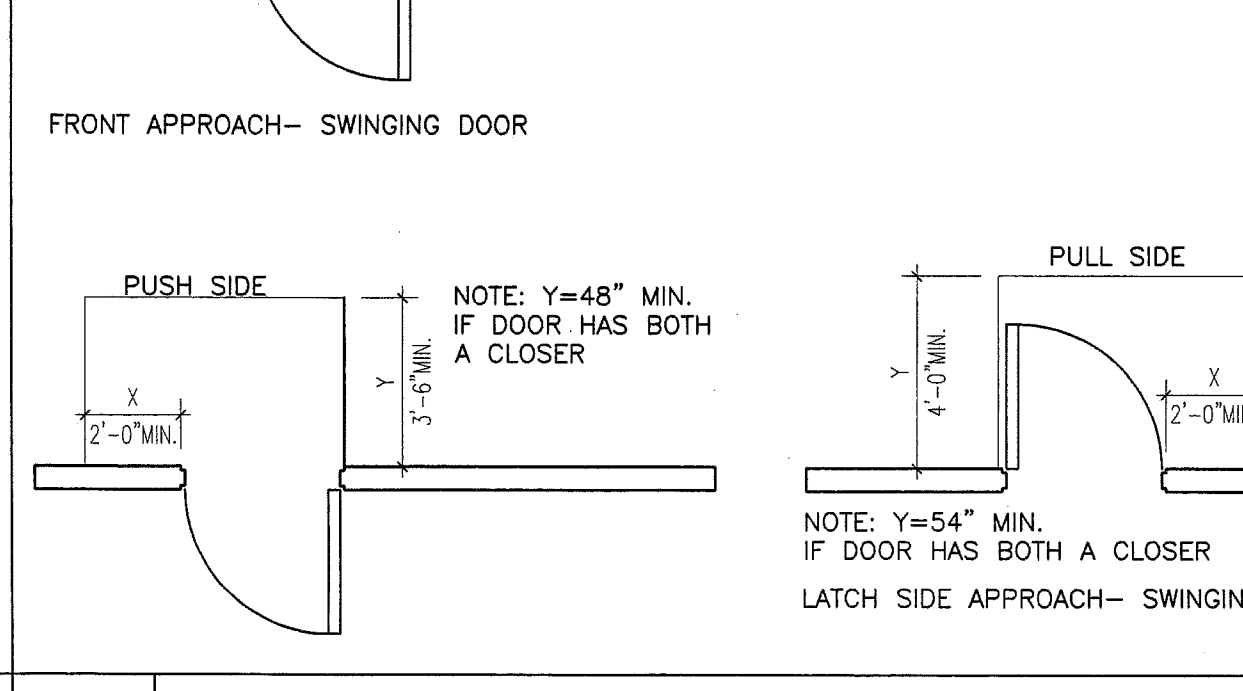
G1 CLEAR FLOOR SPACE IN ALCOVE



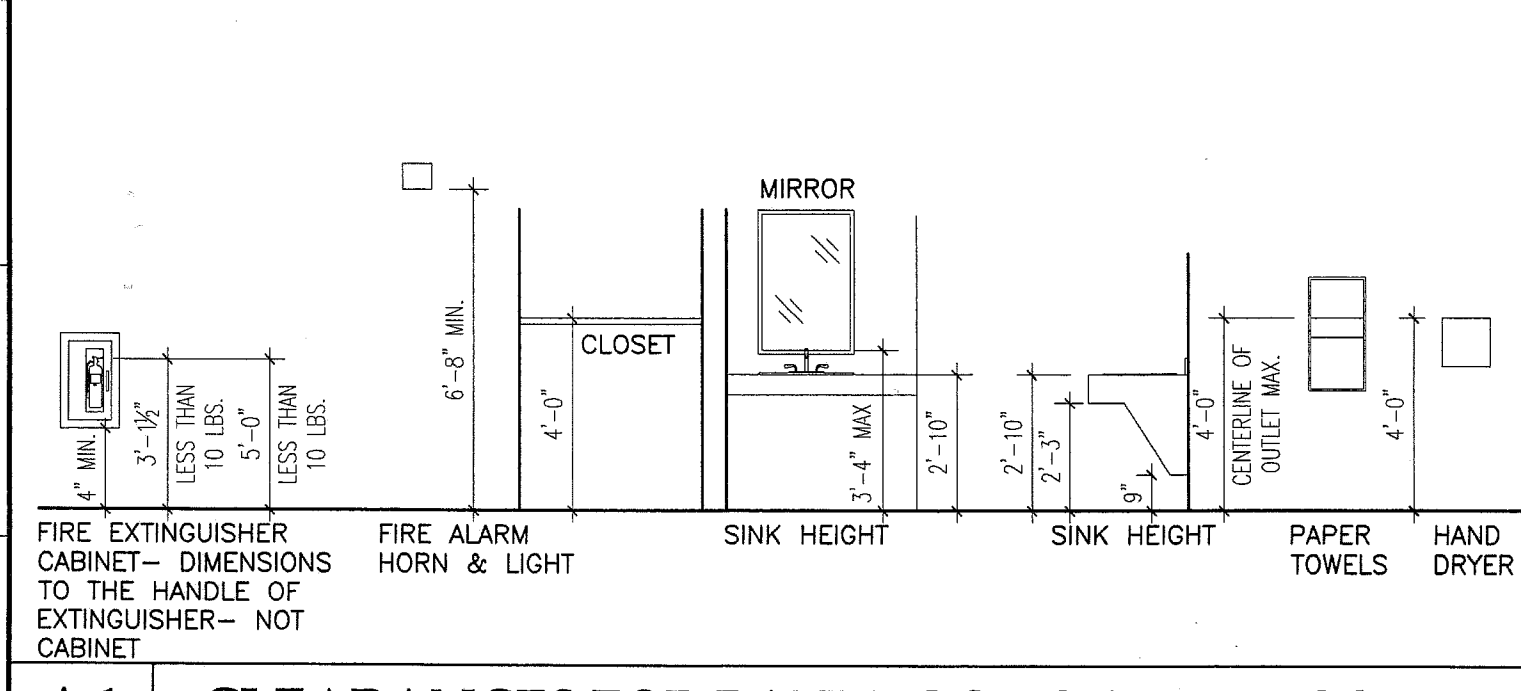
D7 SIGNAGE



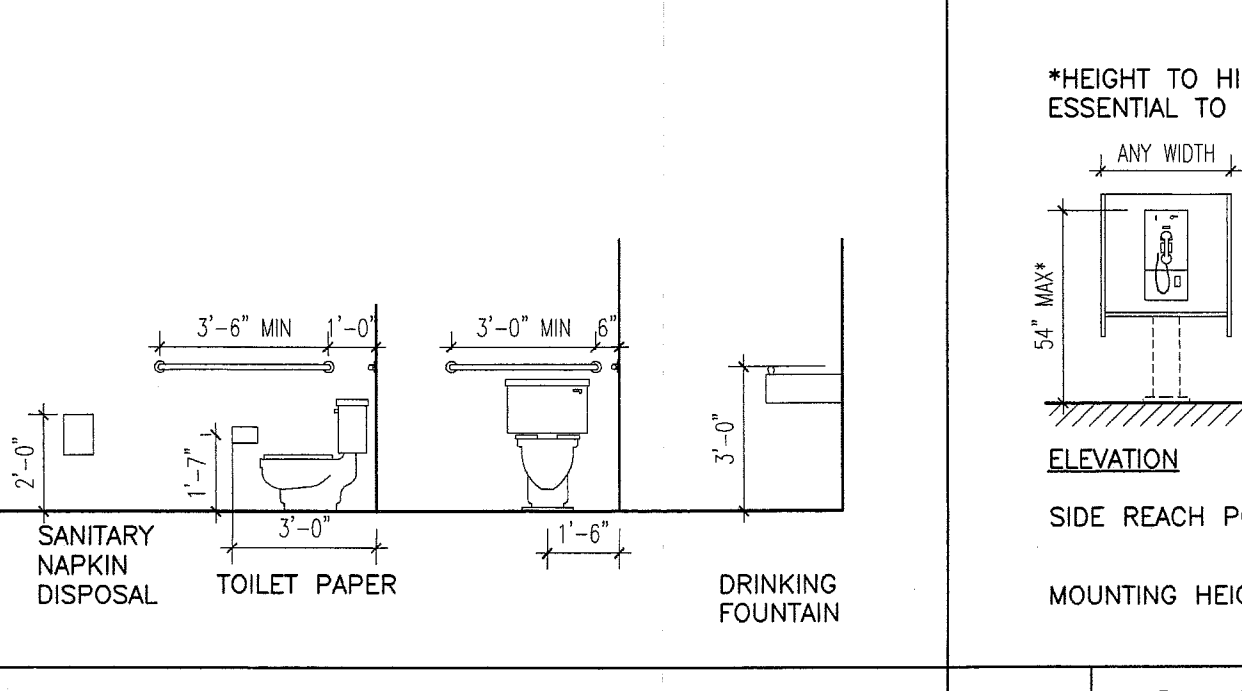
D10 MANEUVERING CLEARANCES AT DOOR



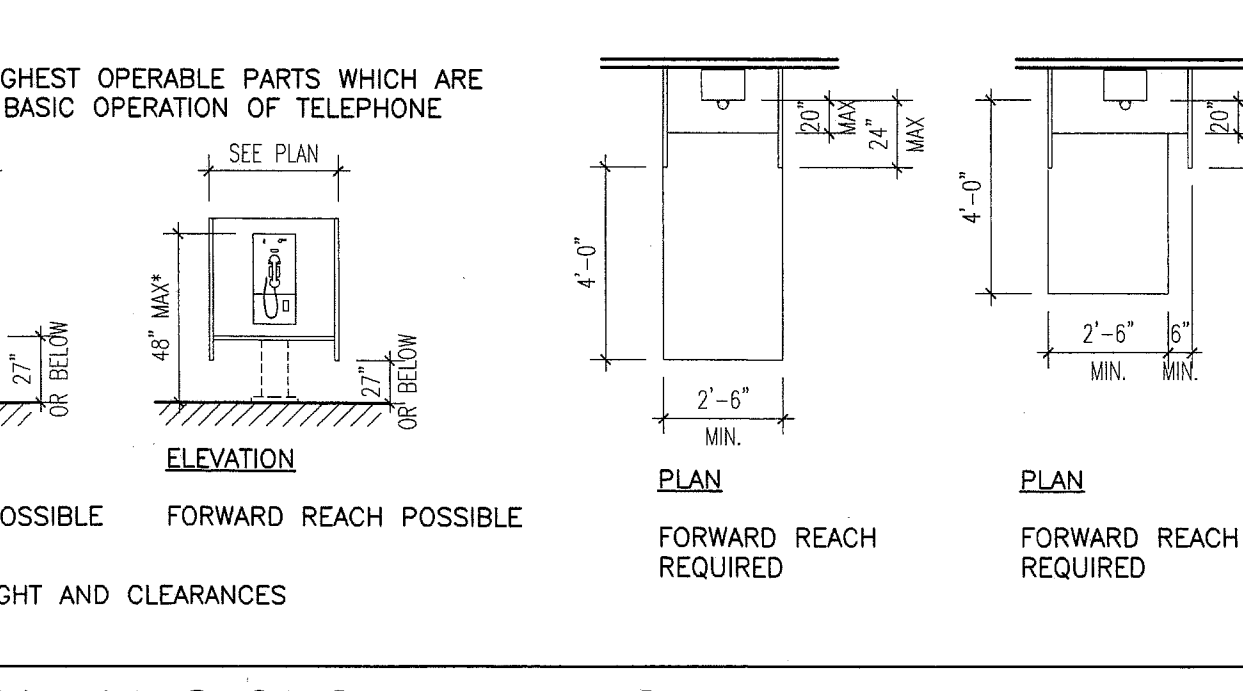
D1 CLEARANCES FOR FOUNTAIN



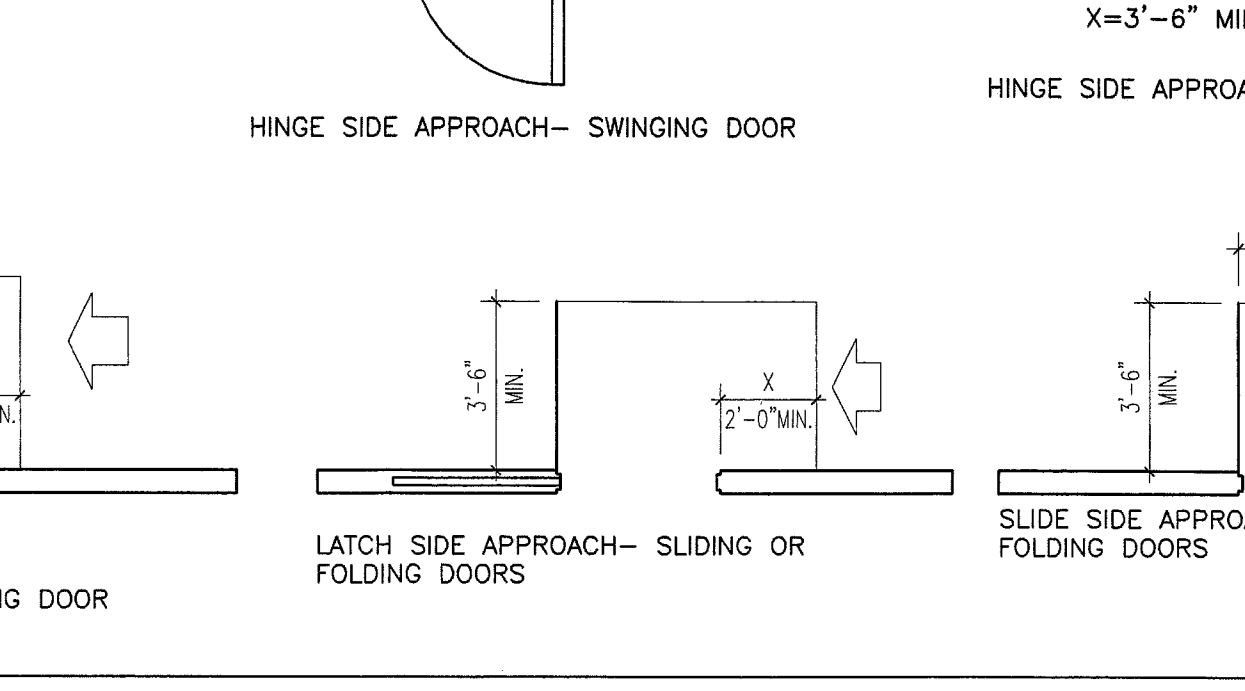
A9 CLEARANCES FOR TELEPHONE



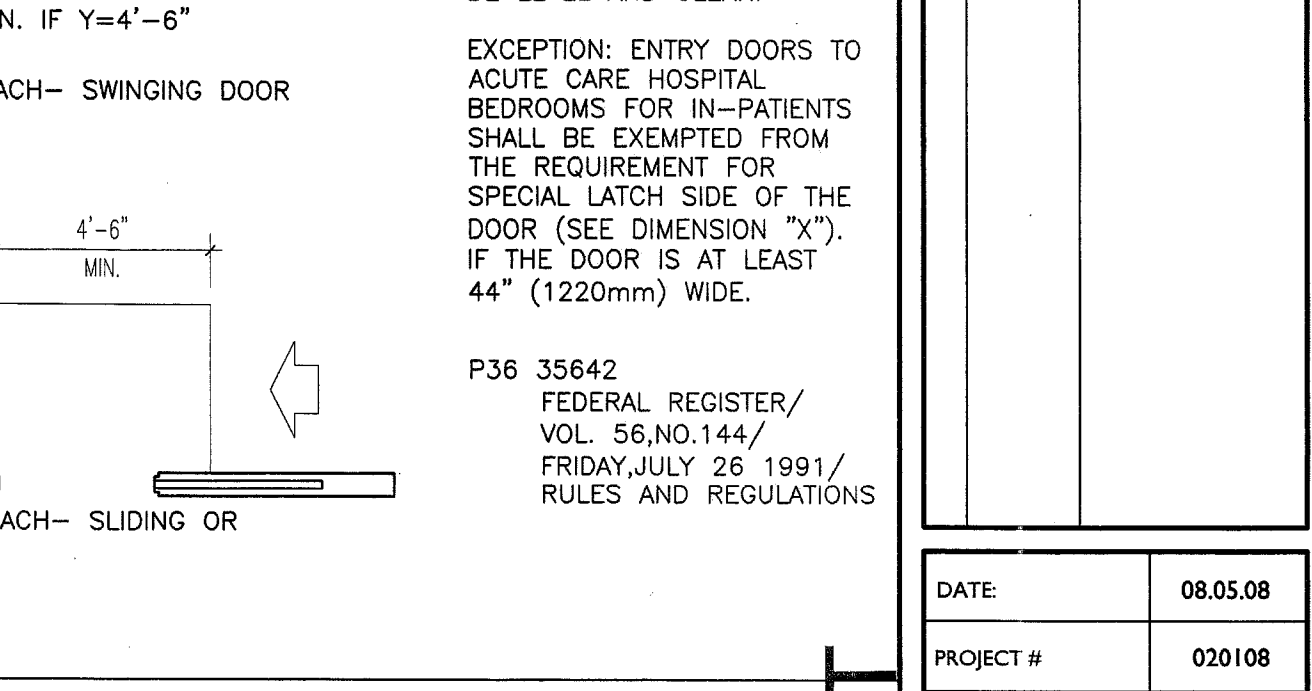
A17 TWO HINGED DOORS IN SERIES



G17 WALL MOUNTED FIXTURES



D10 MANEUVERING CLEARANCES AT DOOR



BUILDING PERMIT