

GAWRON TURGEON ARCHITECTS
 29 Black Point Road
 Scarborough, ME 04074
 www.gawronturgeon.com
 Tel. 207.883.6307
 Fax. 207.883.0361

SEVENTY-FIVE STATE STREET
 CUTTER HOUSE RENOVATION
 PORTLAND MAINE

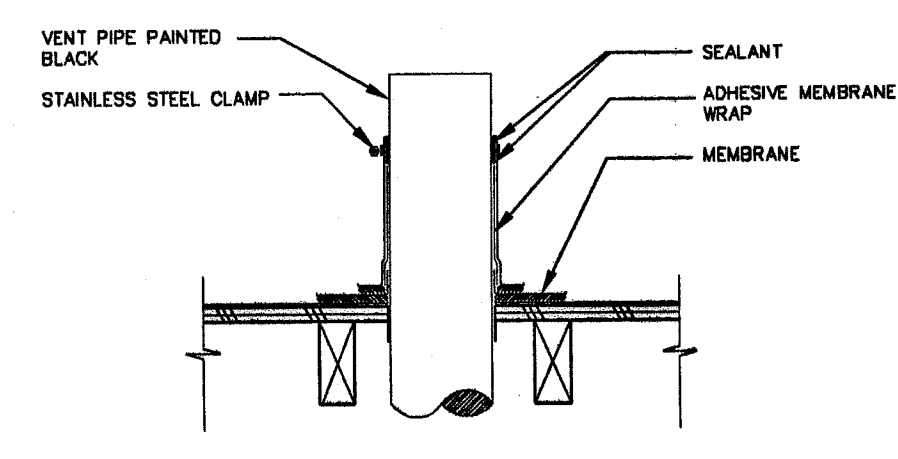
REVISIONS		
#	DATE	DESCRIPTION

DATE:	2/2/07
PROJECT #	060905
DRAWN BY:	KW
CHECKED BY:	
DRAWING SCALE	1/4"=1'-0"

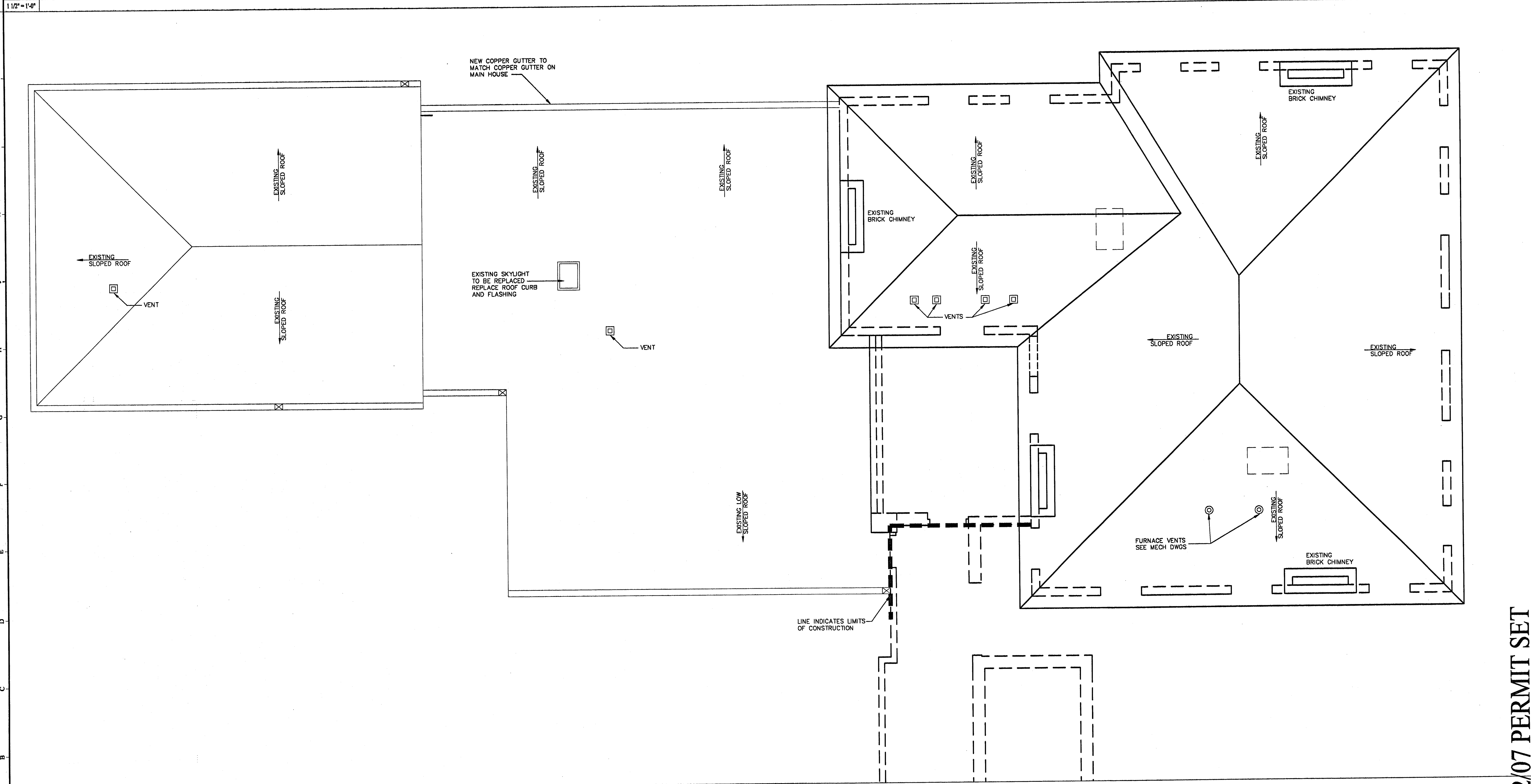
SHEET TITLE
ROOF PLAN

A201

© COPYRIGHT 1985-2003
 REPRODUCTION OR RESALE OF
 THIS DOCUMENT WITHOUT
 WRITTEN PERMISSION IS
 EXPRESSLY PROHIBITED



N1 ROOF PENETRATION DETAIL



A1 THIRD FLOOR-PLAN

2/2/07 PERMIT SET

