

SEVENTY-FIVE STATE STREET
CUTTER HOUSE RENOVATION
PORTLAND MAINE

REVISIONS

#	DATE	DESCRIPTION

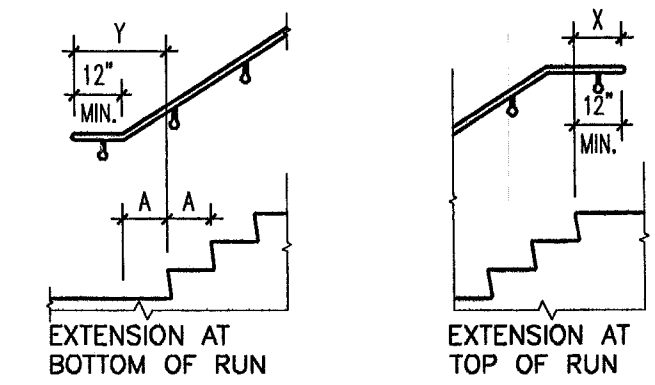
DATE:	2/2/07
PROJECT #	060905
DRAWN BY:	RLA
CHECKED BY:	MET
DRAWING SCALE	AS NOTED

SHEET TITLE

STANDARD ADA SHEET

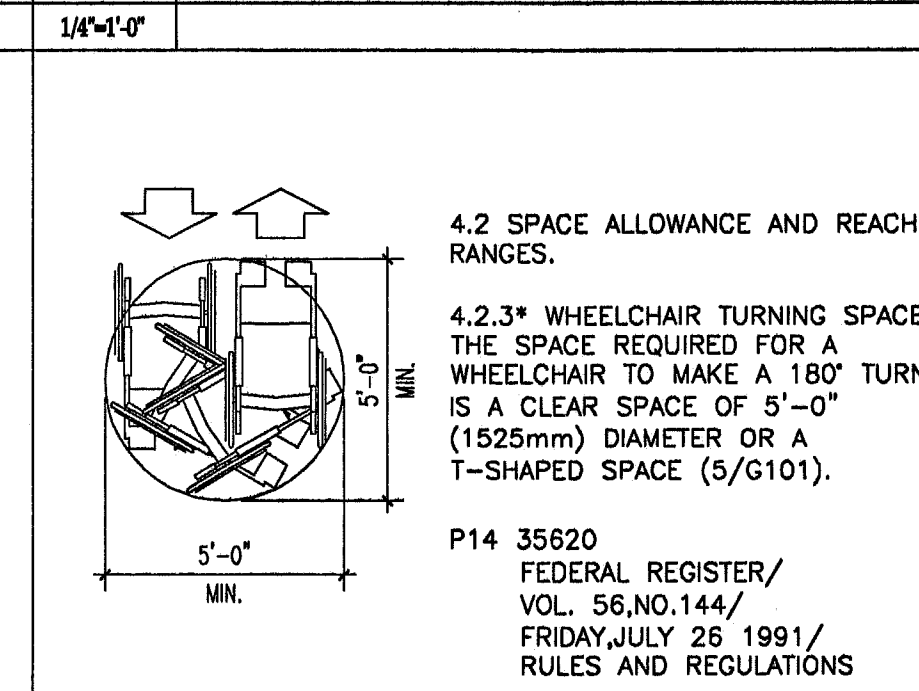
G104

© COPYRIGHT 1985-2003
REPRODUCED OR SEVERE OF
THIS DOCUMENT WITHOUT
WRITTEN PERMISSION OF
GAWRON ARCHITECTS IS PROHIBITED

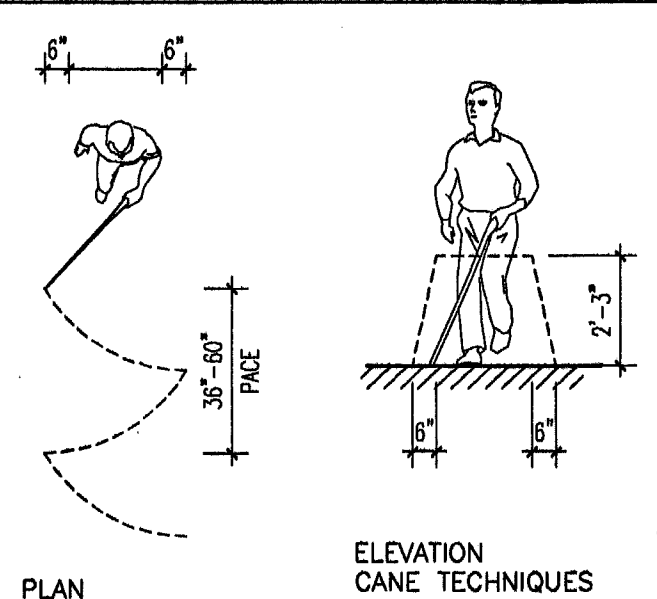


NOTE:
X IS THE 12 INCH MINIMUM HANDRAIL EXTENSION REQUIRED AT EACH TOP RISER.
Y IS THE MINIMUM HANDRAIL EXTENSION OF 12 INCHES PLUS THE WIDTH OF ONE TREAD THAT IS REQUIRED AT EACH BOTTOM RISER.

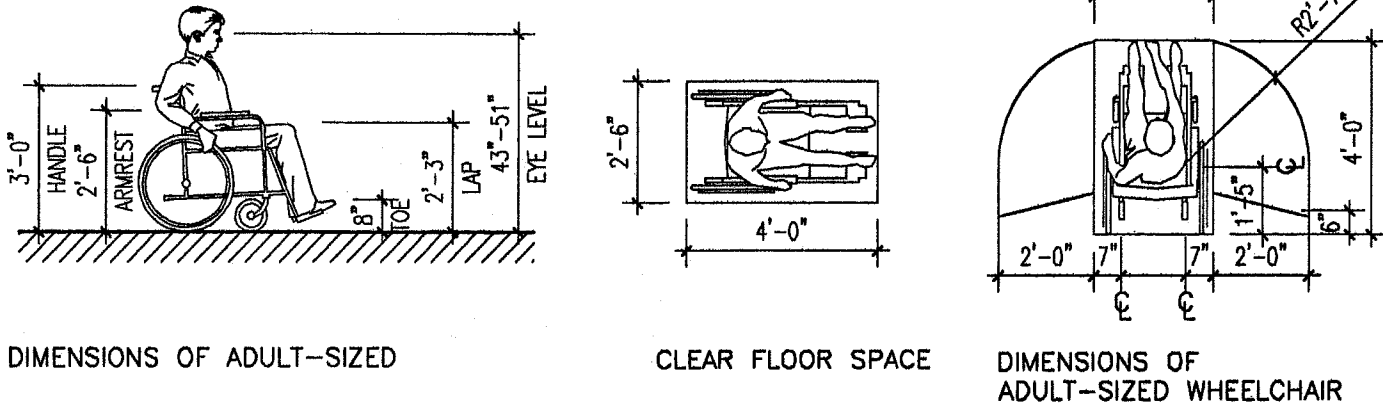
P14 STAIR HANDRAIL EXTENSION



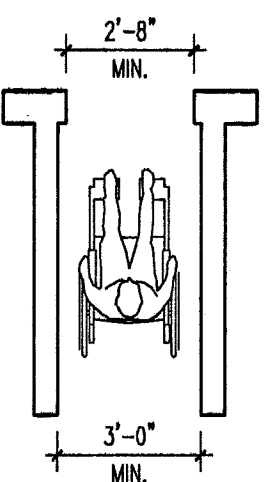
4.2 SPACE ALLOWANCE AND REACH RANGES.
4.2.3* WHEELCHAIR TURNING SPACE. THE SPACE REQUIRED FOR A WHEELCHAIR TO MAKE A 180° TURN IS A CLEAR SPACE OF 5'-0" (1525mm) DIAMETER OR A T-SHAPED SPACE (5/G101).
P14 35620 FEDERAL REGISTER/ VOL. 56,NO.144/ FRIDAY,JULY 26 1991/ RULES AND REGULATIONS
P14 35620 FEDERAL REGISTER/ VOL. 56,NO.144/ FRIDAY,JULY 26 1991/ RULES AND REGULATIONS



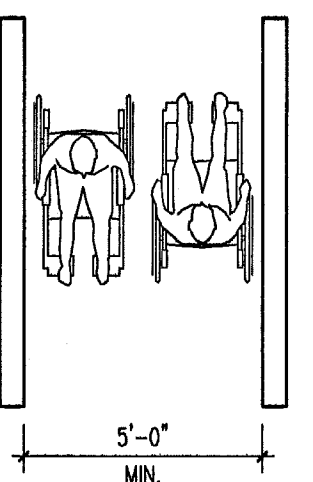
PLAN
ELEVATION
CANE TECHNIQUES



DIMENSIONS OF ADULT-SIZED
CLEAR FLOOR SPACE
DIMENSIONS OF ADULT-SIZED WHEELCHAIR



4.2 SPACE ALLOWANCE AND REACH RANGES.
4.2.1* WHEELCHAIR PASSAGE WIDTH. THE MINIMUM CLEAR WIDTH FOR A SINGLE WHEELCHAIR PASSAGE SHALL BE 32" (815MM) AT A POINT AND 36" (915MM) CONTINUOUSLY.
P14 35620 FEDERAL REGISTER/ VOL. 56,NO.144/ FRIDAY,JULY 26 1991/ RULES AND REGULATIONS



4.2 SPACE ALLOWANCE AND REACH RANGES.
4.2.2 WIDTH FOR WHEELCHAIR PASSING. THE MINIMUM WIDTH FOR TWO WHEELCHAIRS TO PASS IS 60" (1525mm)
P14 35620 FEDERAL REGISTER/ VOL. 56,NO.144/ FRIDAY,JULY 26 1991/ RULES AND REGULATIONS

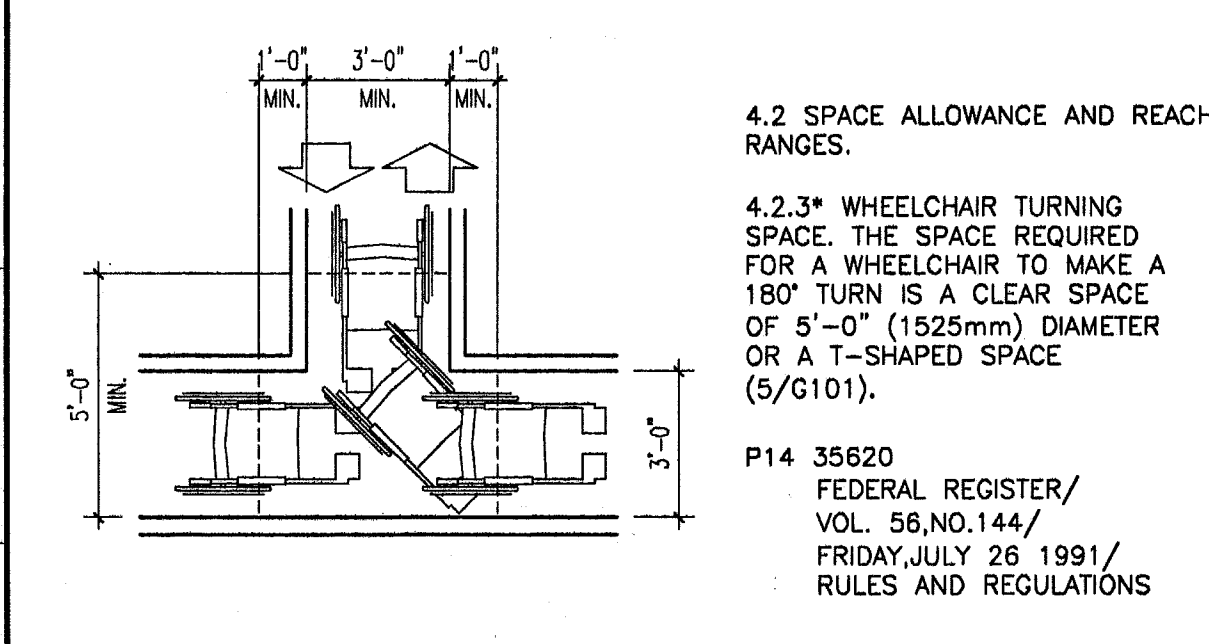
M1 ADULT-SIZED WHEELCHAIR DETAILS

M6 SINGLE WHEELCHAIR

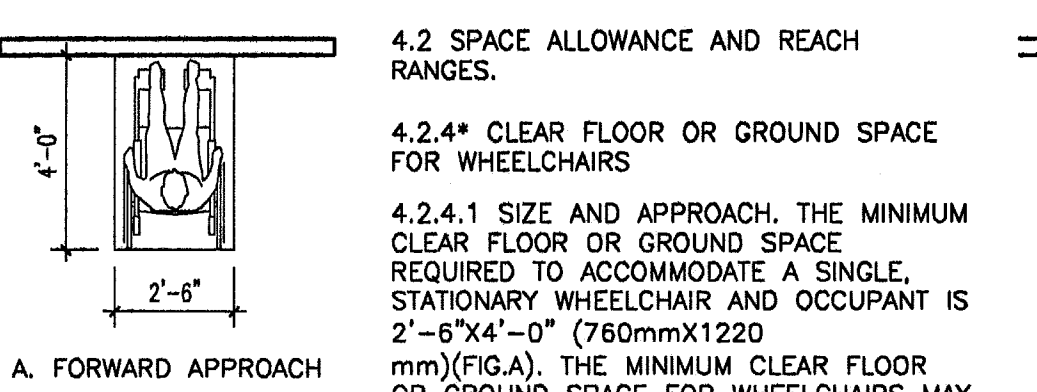
M10 TWO WHEELCHAIR

M14 TURNING SPACE

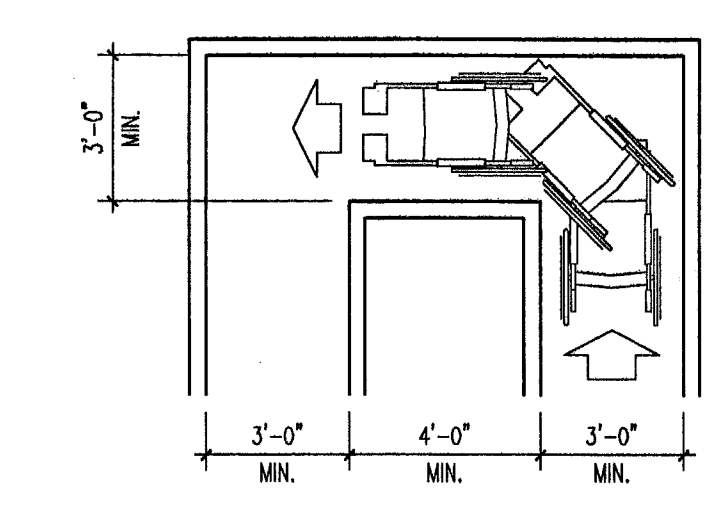
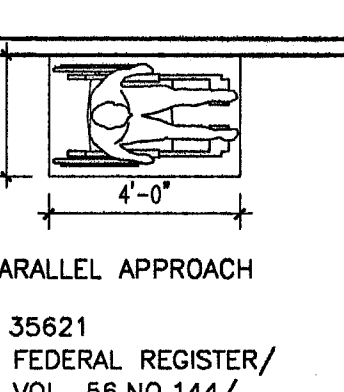
M17 CANE CLEARANCES



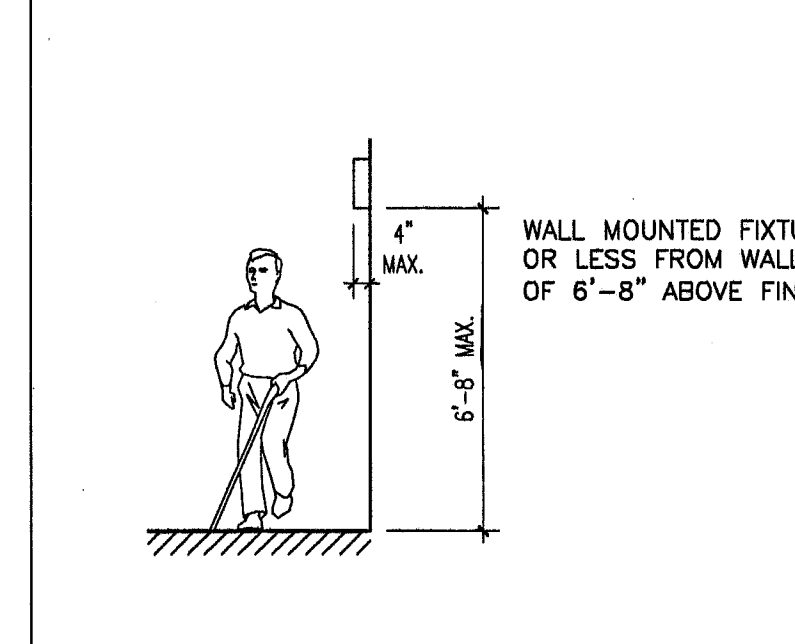
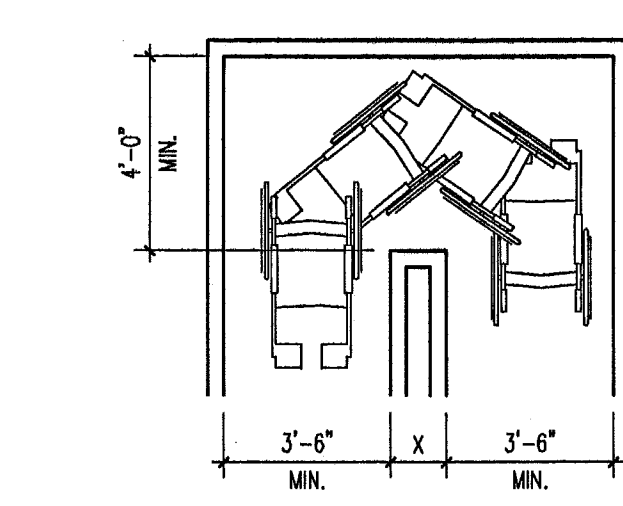
4.2 SPACE ALLOWANCE AND REACH RANGES.
4.2.3* WHEELCHAIR TURNING SPACE. THE SPACE REQUIRED FOR A WHEELCHAIR TO MAKE A 180° TURN IS A CLEAR SPACE OF 5'-0" (1525mm) DIAMETER OR A T-SHAPED SPACE (5/G101).
P14 35620 FEDERAL REGISTER/ VOL. 56,NO.144/ FRIDAY,JULY 26 1991/ RULES AND REGULATIONS



4.2 SPACE ALLOWANCE AND REACH RANGES.
4.2.4* CLEAR FLOOR OR GROUND SPACE FOR WHEELCHAIRS
4.2.4.1 SIZE AND APPROACH. THE MINIMUM CLEAR FLOOR OR GROUND SPACE REQUIRED TO ACCOMMODATE A SINGLE, STATIONARY WHEELCHAIR AND OCCUPANT IS 2'-6"x4'-0" (760mmx1220 mm)(FIG.A). THE MINIMUM CLEAR FLOOR OR GROUND SPACE FOR WHEELCHAIRS MAY BE POSITIONED FOR FORWARD OR PARALLEL APPROACH TO AN OBJECT (FIG.B). CLEAR FLOOR OR GROUND SPACE FOR WHEELCHAIRS MAY BE PART OF THE KNEE SPACE REQUIRED UNDER SOME OBJECTS.
A. FORWARD APPROACH
B. PARALLEL APPROACH
P15 35621 FEDERAL REGISTER/ VOL. 56,NO.144/ FRIDAY,JULY 26 1991/ RULES AND REGULATIONS



4.3 ACCESSIBLE ROUTE.
4.3.3 WIDTH. THE MINIMUM CLEAR WIDTH OF AN ACCESSIBLE ROUTE SHALL BE 3'-0" (915mm) EXCEPT AT DOORS (SEE 4.13.5 AND 4.13.6). IF A PERSON IN A WHEELCHAIR MUST MAKE A TURN AROUND AN OBSTRUCTION, THE MINIMUM CLEAR WIDTH OF THE ACCESSIBLE ROUTE SHALL BE AS SHOWN.
P16 35622 FEDERAL REGISTER/ VOL. 56,NO.144/ FRIDAY,JULY 26 1991/ RULES AND REGULATIONS



WALL MOUNTED FIXTURES ARE TO BE 4" OR LESS FROM WALL UP TO A HEIGHT OF 6'-8" ABOVE FINISHED FLOOR.

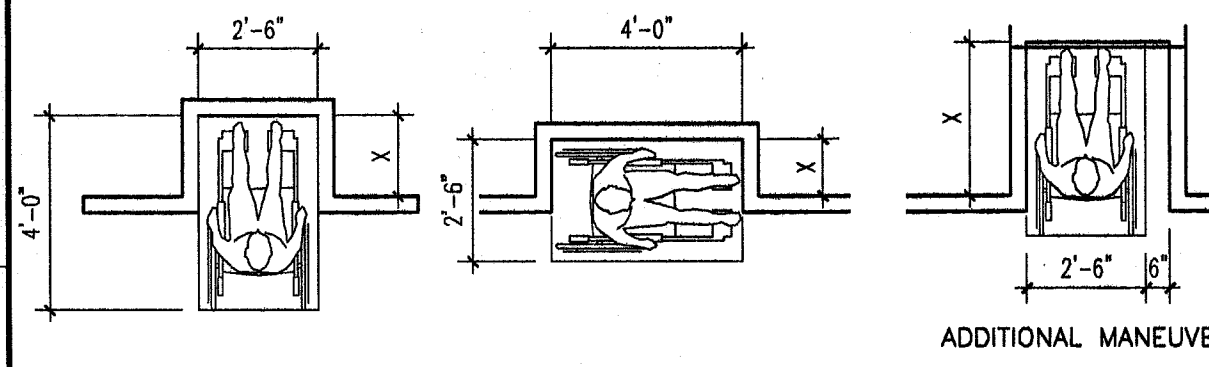
J1 T-SHAPED SPACE FOR 180° TURNS

J5 FORWARD AND PARALLEL APPROACHES

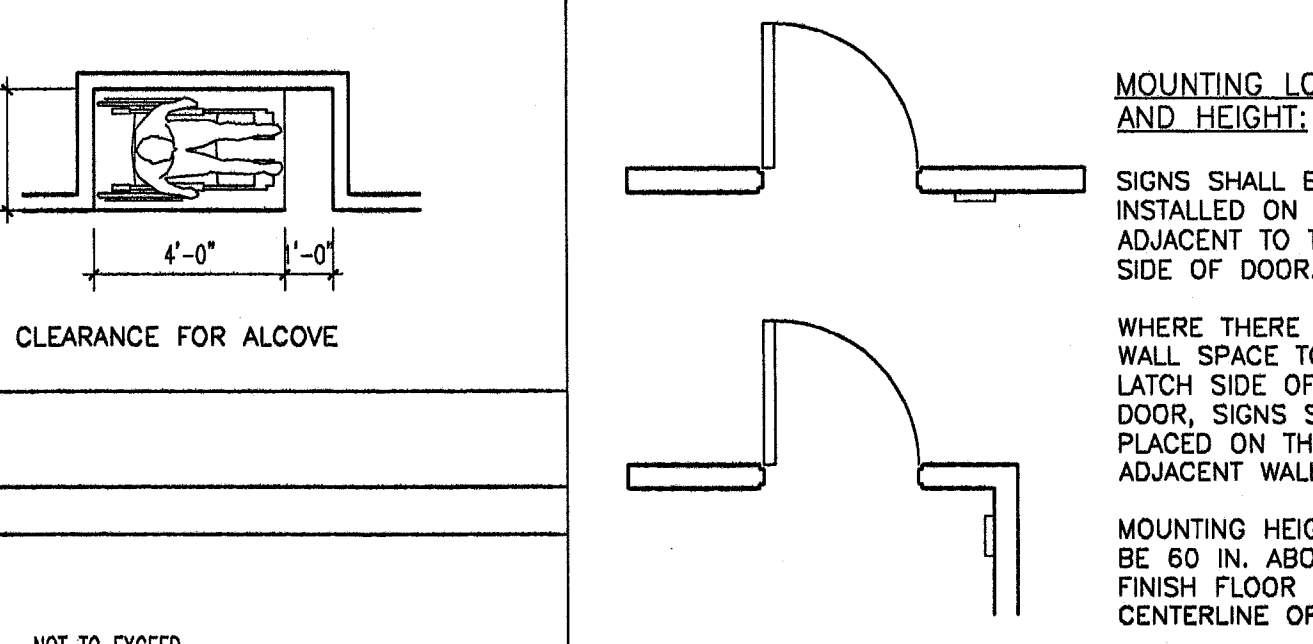
J10 90° TURNS

J14 TURN AROUND

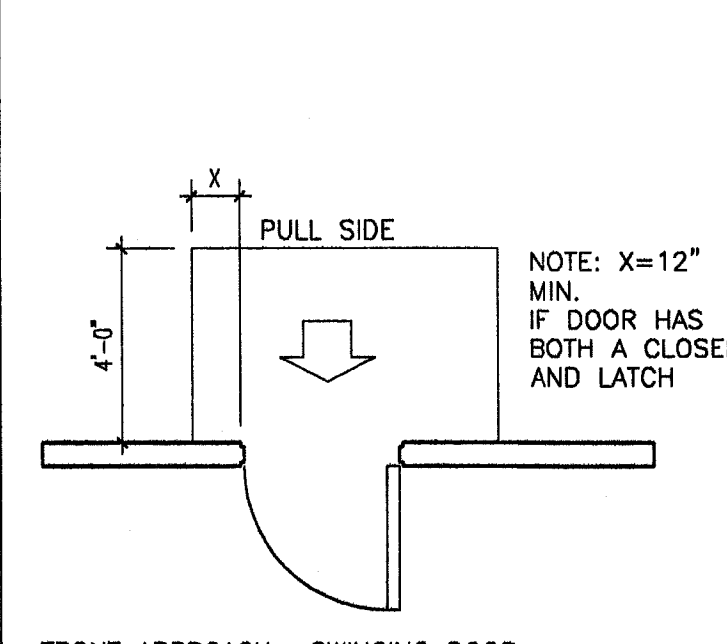
J17 WALL MOUNTED FIXTURES



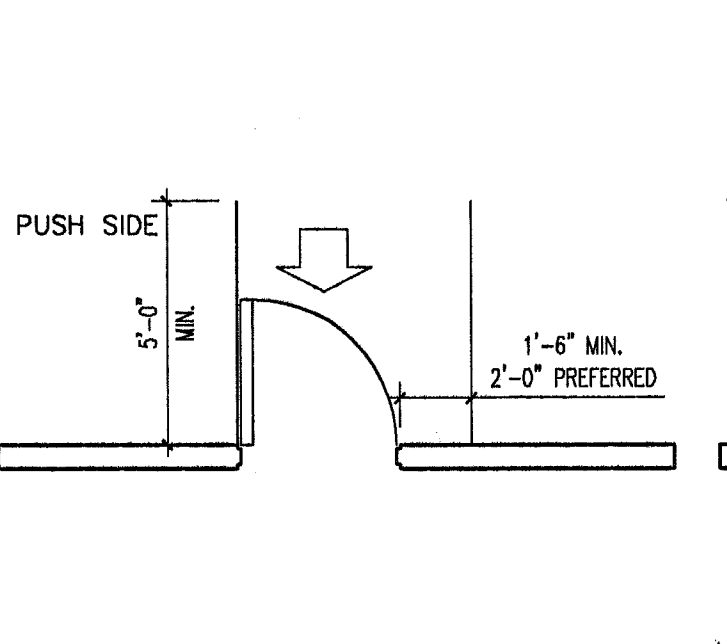
ADDITIONAL MANEUVERING CLEARANCE FOR ALCOVE



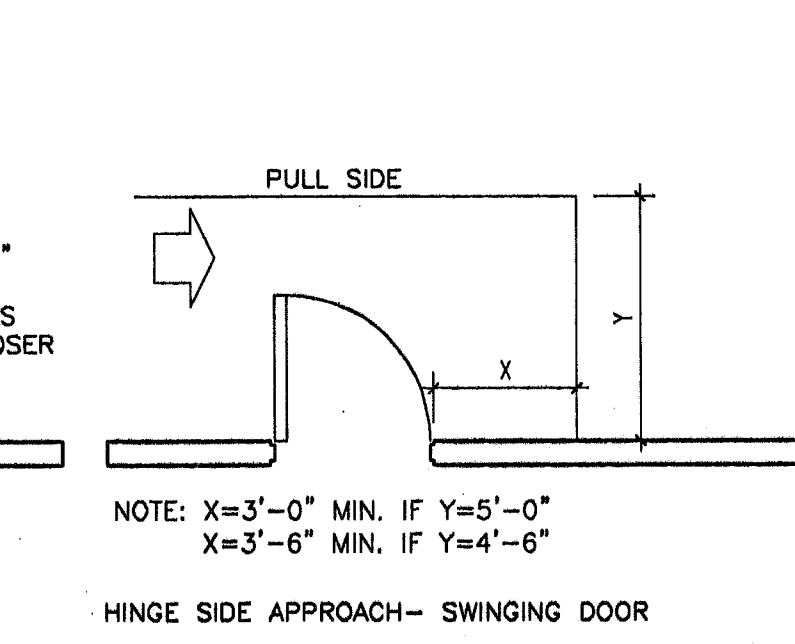
MOUNTING LOCATION AND HEIGHT.
SIGNS SHALL BE INSTALLED ON THE WALL ADJACENT TO THE LATCH SIDE OF DOOR.
WHERE THERE IS NO WALL SPACE TO THE LATCH SIDE OF THE DOOR, SIGNS SHALL BE PLACED ON THE NEAREST ADJACENT WALL.
MOUNTING HEIGHT SHALL BE 60 IN. ABOVE THE FINISH FLOOR TO THE CENTERLINE OF THE SIGN.
MOUNTING HEIGHT SHALL BE 50 A PERSON MAY APPROACH WITHIN 3 IN. OF SIGNAGE WITHOUT ENCOUNTERING PROTRUDING OBJECTS OR STANDING WITHIN THE SWING OF A DOOR.



FRONT APPROACH- SWINGING DOOR



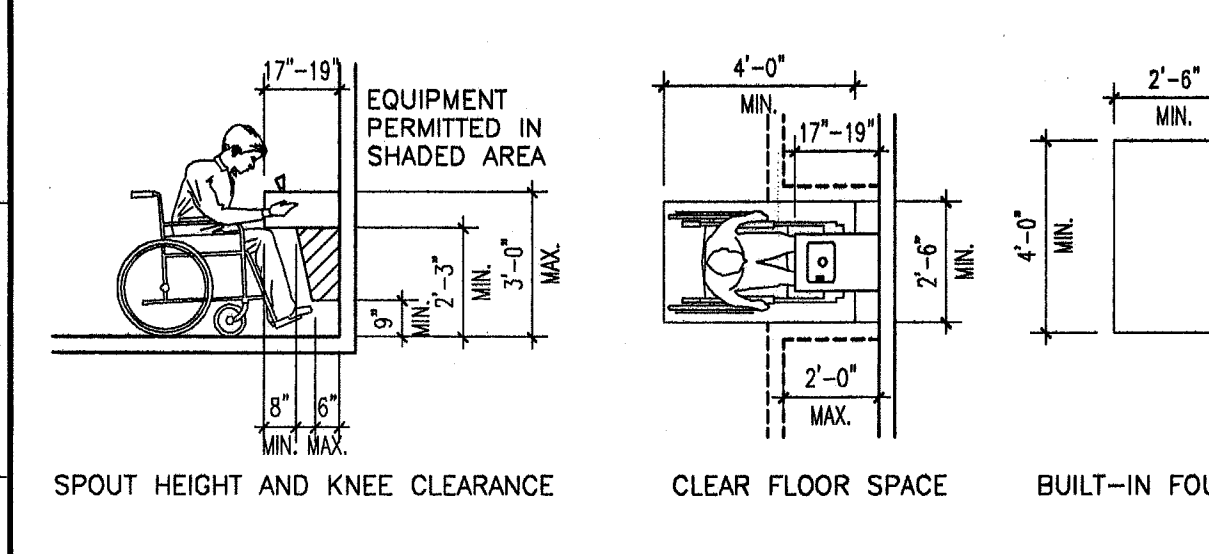
HINGE SIDE APPROACH- SWINGING DOOR



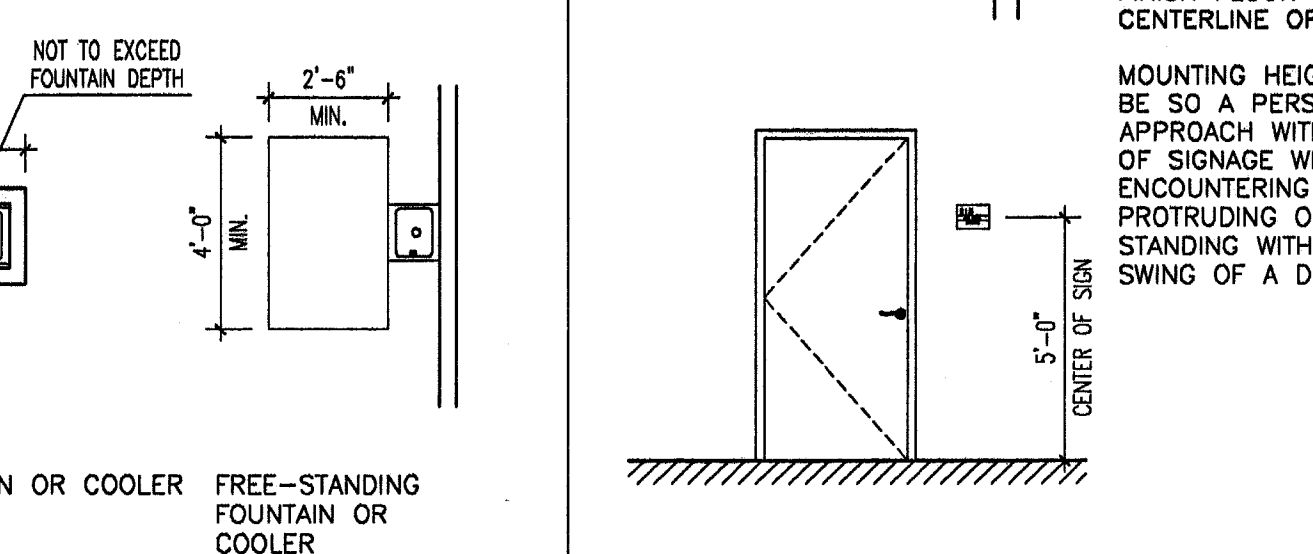
HINGE SIDE APPROACH- SWINGING DOOR

NOTE: ALL DOORS IN ALCOVES SHALL COMPLY WITH THE CLEARANCES FOR FRONT APPROACHES.
4.13 DOORS.
4.13.6 MANEUVERING CLEARANCES AT DOORS. MINIMUM MANEUVERING CLEARANCES AT DOORS THAT ARE NOT AUTOMATIC OR POWER-ASSISTED SHALL BE AS SHOWN. THE FLOOR OR GROUND AREA WITHIN THE REQUIRED CLEARANCES SHALL BE LEVEL AND CLEAR.
EXCEPTION: ENTRY DOORS TO ACUTE CARE HOSPITAL BEDROOMS FOR IN-PATIENTS SHALL BE EXEMPTED FROM THE REQUIREMENT FOR SPECIAL LATCH SIDE OF THE DOOR (SEE DIMENSION "X"). IF THE DOOR IS AT LEAST 44" (1220mm) WIDE.
P36 35642 FEDERAL REGISTER/ VOL. 56,NO.144/ FRIDAY,JULY 26 1991/ RULES AND REGULATIONS

G1 CLEAR FLOOR SPACE IN ALCOVE



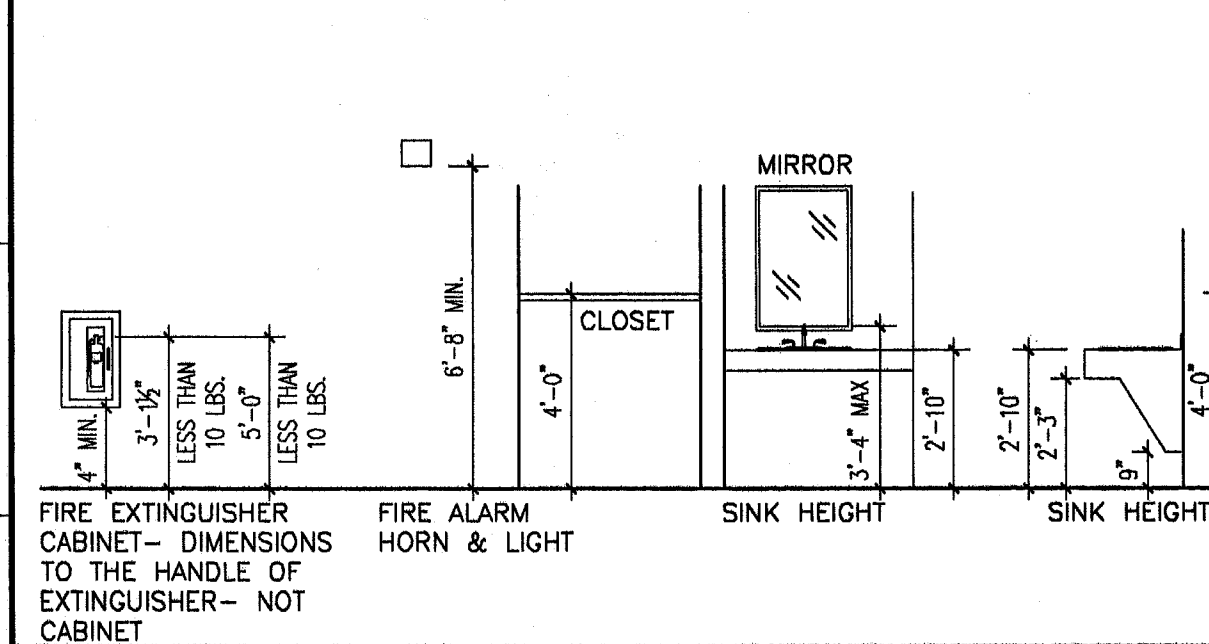
SPOUT HEIGHT AND KNEE CLEARANCE
CLEAR FLOOR SPACE
BUILT-IN FOUNTAIN OR COOLER
FREE-STANDING FOUNTAIN OR COOLER



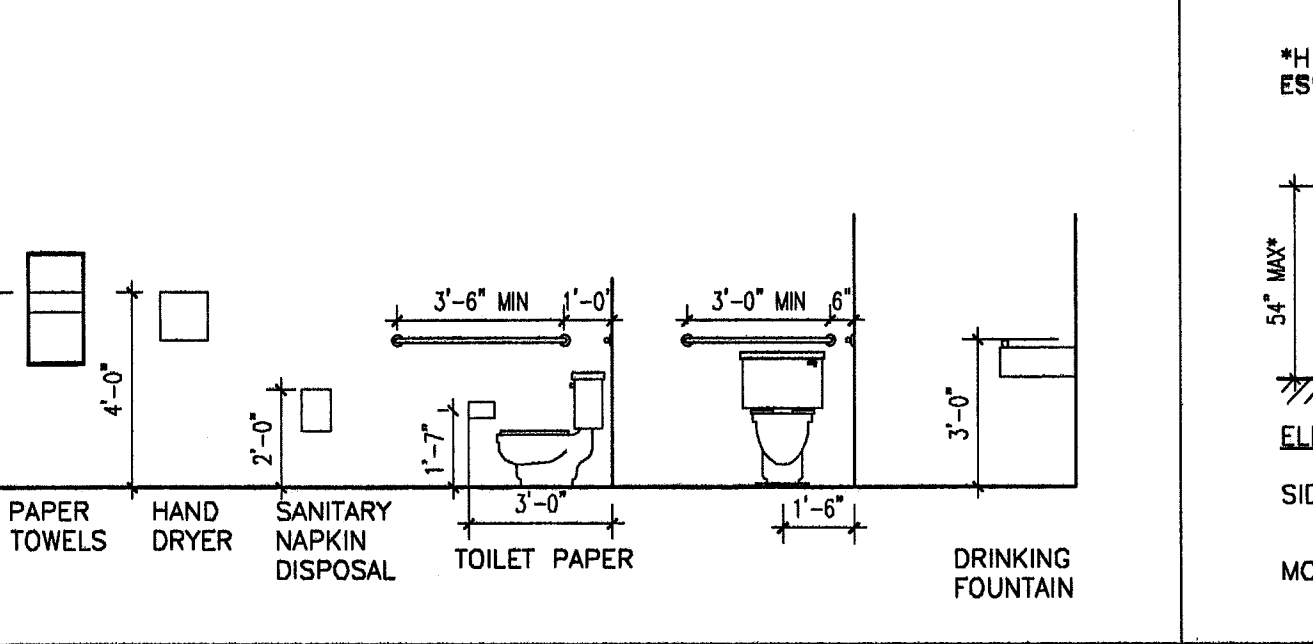
D1 CLEARANCES FOR FOUNTAIN

D7 SIGNAGE

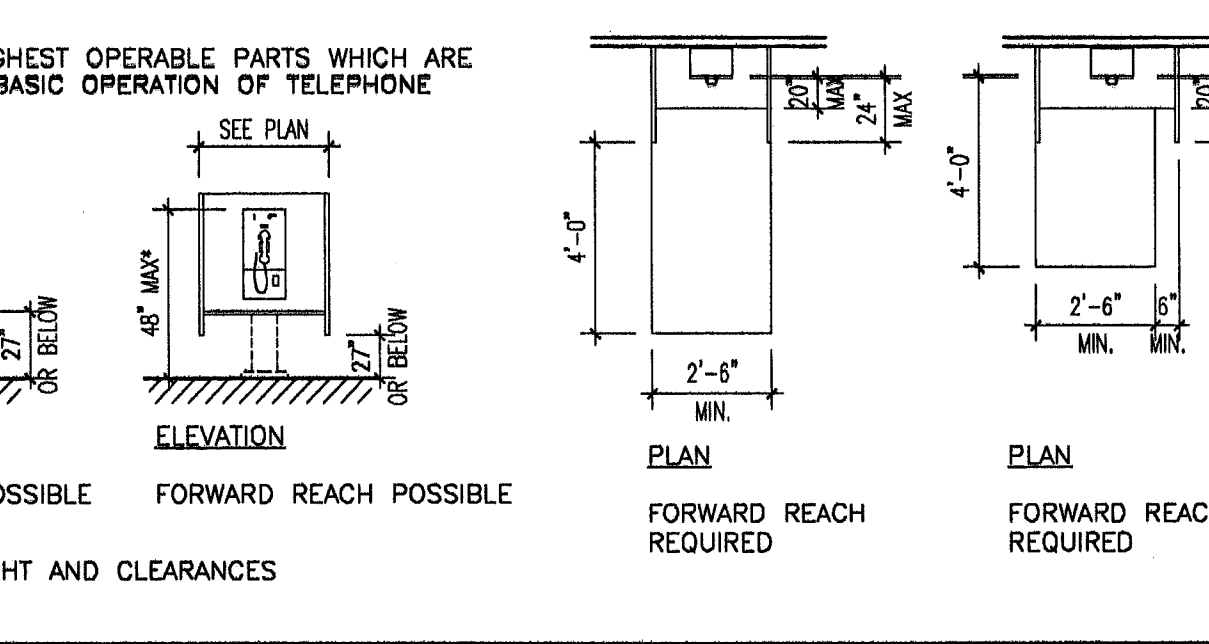
D10 MANEUVERING CLEARANCES AT DOOR



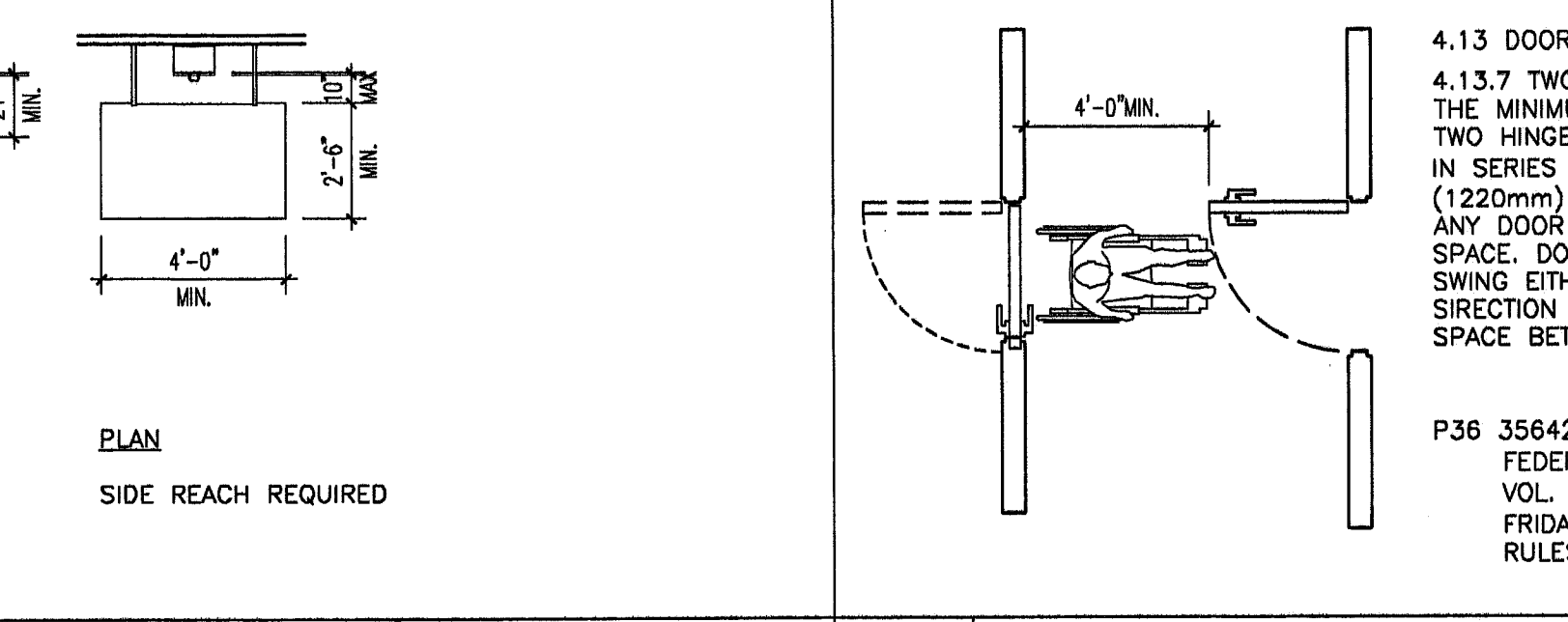
A1 CLEARANCES FOR BATHROOMS AND MISCELLANEOUS ITEMS



A9 CLEARANCES FOR TELEPHONE



A17 TWO HINGED DOORS IN SERIES



A17 TWO HINGED DOORS IN SERIES

4.13 DOORS
4.13.7 TWO DOORS IN SERIES. THE MINIMUM SPACE BETWEEN TWO HINGED OR PIVOTED DOORS IN SERIES SHALL BE 4'-0" (1220mm) PLUS THE WIDTH OF ANY DOOR SWINGING INTO THE SPACE. DOORS IN SERIES SHALL SWING EITHER IN THE SAME DIRECTION OR AWAY FROM THE SPACE BETWEEN THE DOORS.
P36 35642 FEDERAL REGISTER/ VOL. 56,NO.144/ FRIDAY,JULY 26 1991/ RULES AND REGULATIONS

2/2/07 PERMIT SET