

**TrueAlert™ NON-ADDRESSABLE MULTI-CANDELA AUDIBLE/VISIBLE NOTIFICATION APPLIANCE**  
(ELECTRONIC HORN W/STROBE)

**PRODUCT INFORMATION**

**FEATURES:**

- CLASS B (STYLE Y) OPERATION REQUIRES CONNECTION TO A COMPATIBLE SMARTSYNCH NAC OR TO SMARTSYNCH CONTROL MODULE (SCM) 4905-9938
- CLASS A (STYLE Z) OPERATION WHEN CONNECTED TO THE 4905-9938 SCM OR 4100U SERIES FIRE ALARM CONTROL PANEL NAC'S

**SPECIFICATIONS:**

- HOUSING DIMENSIONS (INCLUDING LENS): 5 1/8" H x 5" W x 2 3/4" D
- TEMPERATURE RANGE: 32 F TO 122 F (0 F TO 50 C)
- HUMIDITY RANGE: 10% TO 93% NON-CONDENSING AT 100 F (38 C)
- TERMINAL BLOCKS FOR 18 AWG TO 12 AWG; TWO WIRES PER TERMINAL FOR IN/OUT WIRING.

4905-9961 OPTIONAL WIRE GUARD (SHOWN HERE FOR REFERENCE ONLY) CAN BE USED ON OTHER MOUNTING OPTIONS

**HORN**

- SOUND OUTPUT CHARACTERISTICS: 2400 TO 3700 Hz SWEEP, MODULATED AT 120 Hz RATE

HORN SOUND OUTPUT RATINGS @ 10 FT. (3m)			
VOLTAGE	16 VDC	24 VDC	33 VDC
SOUND TYPE *	STEADY	CODED	STEADY
REVERBERANT CHAMBER 1/2 404 TEST	86 dBA	82 dBA	88 dBA
ANECHOIC CHAMBER	82 dBA	91 dBA	94 dBA

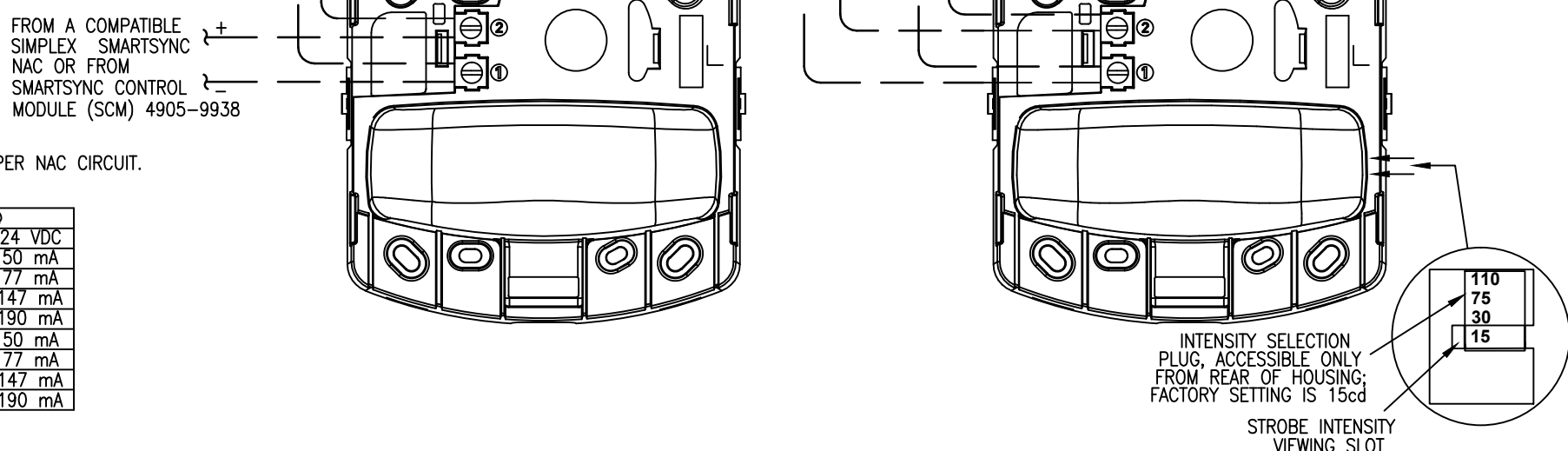
\* CODED VALUES ARE TYPICAL OF THE OUTPUT MEASURED WITH A TEMPORAL CODED OR A MARCH TIME CODED PULSE AND WITH A SOUND LEVEL METER READING ON A "FAST" SETTING. UNDER THE SAME TEST CONDITIONS, CODED HORN OUTPUT "PEAK" SOUND LEVEL READINGS ARE TYPICALLY 4 dBA HIGHER.

**STROBE**

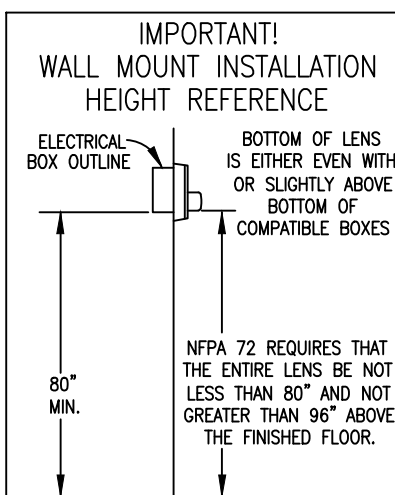
- RATED VOLTAGE RANGE: UL REGULATED 24VDC PER UL 1971
- FLASH RATE: 1Hz
- SYNCHRONIZED MODE NAC LOADING: MAXIMUM OF 35 SYNCHRONIZED STROBES PER NAC CIRCUIT.
- \* CURRENT DRAWS REFLECT STROBE FLASHING AND HORN ON.

MODEL NUMBER	HOUSING COLOR	LETTERING COLOR	STROBE RATING	NAC CURRENT @		
				16 VDC	18 VDC	24 VDC
4906-9127	RED	WHITE	15cd	75 mA	67 mA	50 mA
			30cd	116 mA	103 mA	77 mA
			75cd	291 mA	196 mA	147 mA
4906-9129	WHITE	RED	15cd	75 mA	67 mA	50 mA
			30cd	116 mA	103 mA	77 mA
			75cd	291 mA	196 mA	147 mA

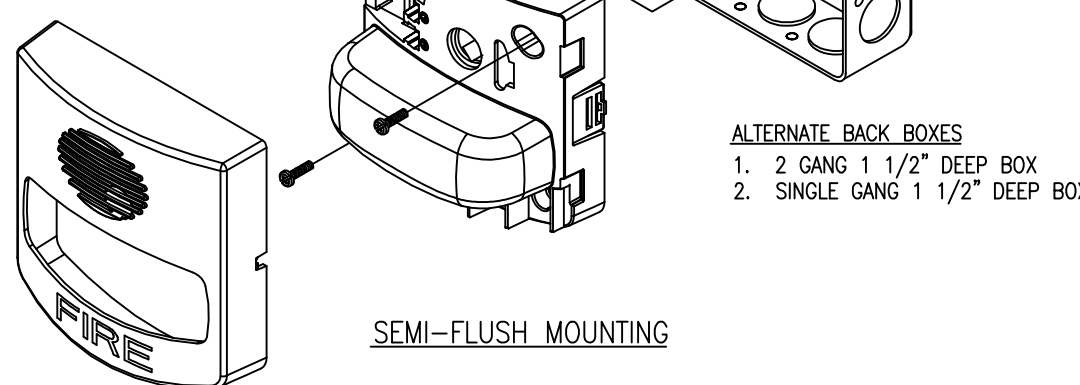
FROM A COMPATIBLE SMARTSYNCH NAC OR FROM SMARTSYNCH CONTROL MODULE (SCM) 4905-9938



INTENSITY SELECTION PLUG ACCESSIBLE ONLY FROM REAR OF HOUSING. FACTORY SETTING IS 15cd. STROBE INTENSITY VIEWING SLOT



WHEN SURFACE MOUNTING USE RED SHORT NO. 4905-9937 (RED) WHITE SHORT NO. 4905-9940 (WHITE)



ALTERNATE BACK BOXES  
1. 2 GANG 1 1/2" DEEP BOX  
2. SINGLE GANG 1 1/2" DEEP BOX

SEMI-FLUSH MOUNTING

**TrueAlert™ NON-ADDRESSABLE MULTI-CANDELA AUDIBLE/VISIBLE NOTIFICATION APPLIANCE**  
**WEATHERPROOF**

**PRODUCT INFORMATION**

**FEATURES:**

- UL LISTED TO STANDARD 1971 FOR INDOOR APPLICATIONS WITH SELECTABLE STROBE INTENSITY SETTINGS
- UL LISTED TO STANDARD 1638 FOR OUTDOOR APPLICATIONS
- INDOOR APPLICATIONS ARE ADA COMPLIANT
- SEPARATE STROBE SYNCHRONIZATION MODULES THAT ARE AVAILABLE FOR CLASS B OR CLASS A OPERATION
- SEPARATE SMARTSYNCH CONTROL MODULES (SCMs) THAT PROVIDE CLASS B OR CLASS A OUTPUT FROM CONVENTIONAL NAC INPUTS

**SPECIFICATIONS:**

- HOUSING DIMENSIONS: 5-1/8" H x 5" W x 2-3/4" D (130mm X 127mm X 70mm)
- UL 1971 LISTED TEMPERATURE RANGE: 32F TO 122F (0C TO 50C)
- UL 1638 LISTED TEMPERATURE RANGE: -31F TO 150F (-35C TO 66C)
- UL 464 LISTED TEMPERATURE RANGE: 32F TO 122F (0C TO 50C)
- UL 1971 LISTED HUMIDITY RANGE: 10% TO 93% NON-CONDENSING AT 100F (38C)
- UL 1638 LISTED HUMIDITY RANGE: UP TO 98% AT 104F (40C)
- TERMINAL BLOCKS FOR 18AWG TO 12AWG; TWO WIRES PER TERMINAL FOR IN/OUT WIRING.

**WIRING:**

1. NOTIFICATION APPLIANCES ARE RATED PER INDIVIDUAL NAMEPLATE LABEL
2. MAINTAIN CORRECT POLARITY ON TERMINAL CONNECTIONS. DO NOT LOOP WIRES UNDER TERMINALS.
3. ALL NAC WIRING CONNECTIONS ARE SUPERVISED AND POWER-LIMITED.
4. SEE INSTALLATION INSTRUCTIONS (579-857) FOR ADDITIONAL INFORMATION.

**AUDIABLE:**

- RATED VOLTAGE RANGE: UL LISTED: 16 VDC TO 33 VDC PER UL 464
- WIRES UNDER TERMINALS.

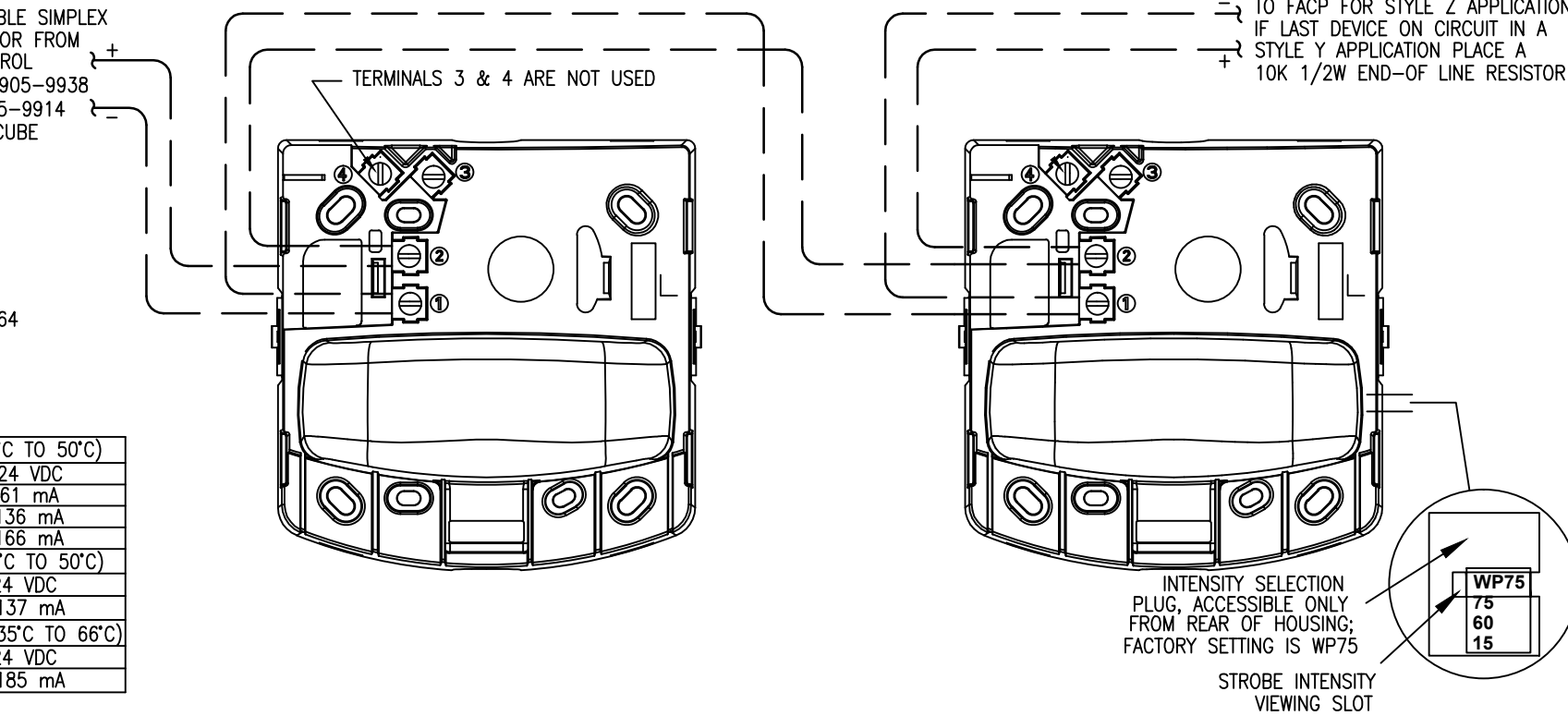
HORN OUTPUT			
VOLTAGE	16 VDC	24 VDC	33 VDC
CHAMBER	STEADY	CODED	STEADY
REVERBERANT	81 dBA	76 dBA	84 dBA
ANECHOIC	96 dBA	93 dBA	99 dBA

**STROBE:**

- RATED VOLTAGE RANGE: UL LISTED: 16 VDC TO 33 VDC PER UL 1971, UL 1638 AND UL 464
- FLASH RATE: 1Hz
- NAC LOADING: MAXIMUM OF 24 STROBES PER NAC CIRCUIT.
- \* CURRENT DRAWS REFLECT STROBE FLASHING WITH AUDIBLE ON

MODEL NUMBER	HOUSING COLOR	LETTERING COLOR	STROBE RATING	UL 1971 RATINGS @ 32F TO 122F (0C TO 50C)		
				16 VDC	18 VDC	24 VDC
4906-9131	RED	WHITE	15cd	81 mA	81 mA	81 mA
			30cd	104 mA	181 mA	136 mA
			75cd	249 mA	241 mA	166 mA
4906-9132	WHITE	RED	15cd	81 mA	81 mA	81 mA
			30cd	104 mA	181 mA	136 mA
			75cd	249 mA	241 mA	166 mA

FROM A COMPATIBLE SMARTSYNCH NAC OR FROM SMARTSYNCH CONTROL MODULE (SCM) 4905-9938 OR SMARTSYNCH 4905-9914 OR 9922 SYNC CUBE



INTENSITY SELECTION PLUG ACCESSIBLE ONLY FROM REAR OF HOUSING. FACTORY SETTING IS WP75. STROBE INTENSITY VIEWING SLOT

**SimplexGrinnell Be Safe.**  
A Tyco International Company  
20 THOMAS DRIVE  
WESTBROOK, ME 04092  
SALES: 207-842-6440  
SERVICE: 207-842-6440  
FAX: 207-842-6439  
© 2012 SIMPLEXGRINNELL LP  
ALL RIGHTS RESERVED

NO.	DATE	REVISION DESCRIPTION

FIRE ALARM & APARTMENT INTERCOM SYSTEM  
DEVICE WIRING DETAIL  
ELM TERRACE  
68 HIGH STREET  
PORTLAND, MAINE

DRAWN BY:	DATE:
LORION	3/6/12
CHECKED BY:	DATE:
KALAFARSKI	3/13/12
PROJECT NUMBER:	147420360
SHEET TITLE:	FA/INTERCOM SYSTEMS DEVICE WIRING DETAIL
SHEET NUMBER:	FA-703