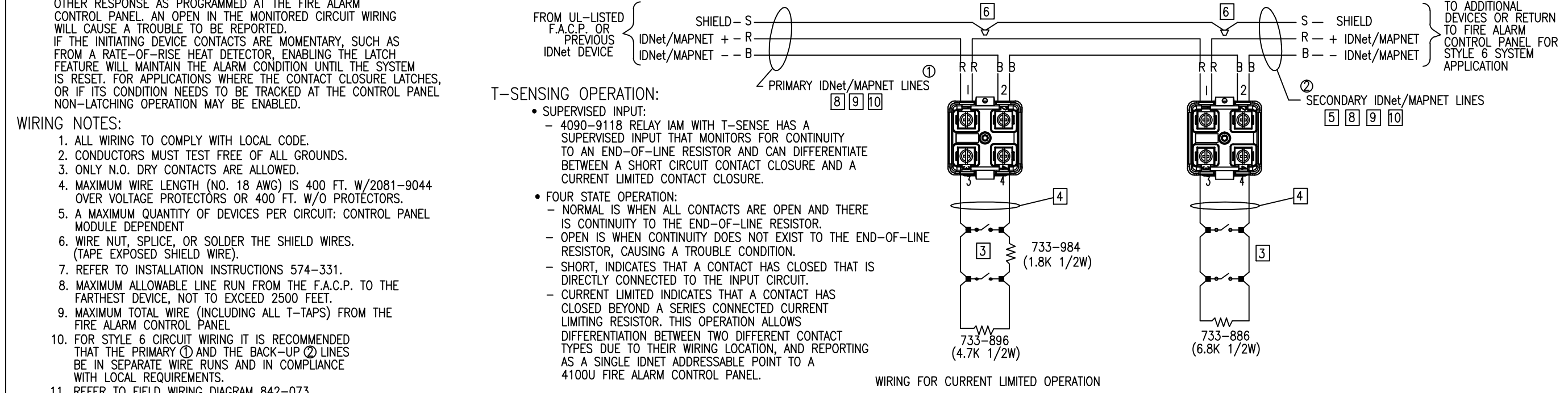


**PRODUCT INFORMATION 4090-9001 IDNET, SUPERVISED INDIVIDUAL ADDRESSABLE MODULE (IAM)**

- FEATURES:**
- UL LISTED
  - ADDRESSABLE COMMUNICATIONS SUPPLY BOTH DATA AND POWER TO PROVIDE:
    - SUPERVISED STYLE B MONITORING OF NORMALLY OPEN DRY CONTACTS
    - COMMUNICATIONS WIRING USING ONE TWISTED, SHIELDED WIRE PAIR
  - COMPATIBLE WITH SIMPLEX ADDRESSABLE FIRE ALARM CONTROL PANELS
  - CONTACT SEALED CONSTRUCTION
  - REMOVES DUST INFILTRATION
  - PROVIDES CURRENT LIMITED MONITORING:
    - TO MONITOR TAMPER SWITCH (SUPERVISORY) AND WATER FLOW SWITCH (ALARM) ON SAME CIRCUIT
    - REQUIRES ONLY ONE ADDRESSABLE POINT
  - SELECTABLE LATCHING OPERATION:
    - MONITORS MONUMENTARY CONTACT CLOSURES SUCH AS RATE-OF-RISE HEAT DETECTORS

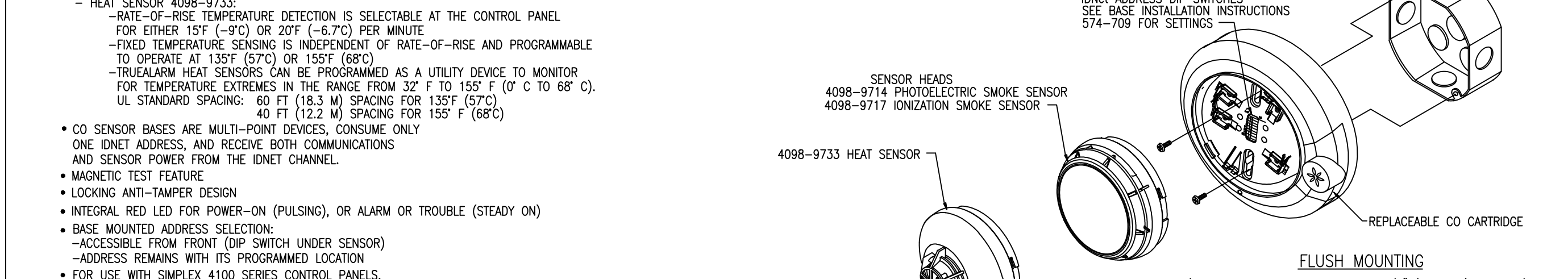
- SPECIFICATIONS:**
- WIRE CONNECTIONS: SCREW TERMINALS FOR IN/OUT WIRING FOR WIRE FROM #18 TO #14 AWG
  - DIMENSIONS: 1 9/16" x 1 3/4" x 1 1/4"
  - TEMPERATURE RANGE: 32° F TO 158° F (0° C TO 70° C)
  - HUMIDITY: UP TO 95% RH AT 100° F
  - SUPERVISION RESISTOR: 6.8k $\Omega$  1/2W (SUPPLIED)
  - RESISTOR FOR CURRENT LIMITED OPERATION: 4.7k $\Omega$  1/2W WITH A 1.8k $\Omega$  1/2W
  - INPUT REQUIREMENTS: NORMALLY OPEN, DRY CONTACTS
  - HOUSING MATERIAL: BLACK THERMOPLASTIC

**DESCRIPTION:** THE 4090-9001 IS AN INDIVIDUAL ADDRESSABLE MODULE (IAM) WITH POWER AND COMMUNICATIONS SUPPLIED BY A TWO WIRE ADDRESSABLE CIRCUIT. IT PROVIDES LOCATION SPECIFIC ADDRESSABILITY TO A SINGLE WIRING DEVICE, SUCH AS SINGLE STATION SMOKE DETECTOR ALARM CONTACTS OR HEAT DETECTOR CONTACTS OR MULTIPLE DEVICES AT THE SAME LOCATION BY MONITORING NORMALLY OPEN DRY CONTACTS AND THE WIRING TO AN END-OF-LINE RESISTOR. CLOSURE OF THE MONITORED CONTACTS INITIATES AN ALARM OR OTHER RESPONSE AS PROGRAMMED AT THE FIRE ALARM CONTROL PANEL. AN OPEN IN THE MONITORED CIRCUIT WIRING WILL CAUSE A TROUBLE TO BE REPORTED.



**PRODUCT INFORMATION 4098-9797 CO SENSOR BASE**

- FEATURES:**
- UL LISTED STANDARD 288, SMOKE DETECTORS FOR FIRE ALARM SIGNALING SYSTEMS AND STANDARD 207A, GAS AND VAPOR DETECTORS AND SENSORS, ALLOWING SYSTEMS TO BE LISTED TO STANDARD 208A, SINGLE AND MULTIPLE STATION CARBON MONOXIDE ALARMS
  - CO SENSOR BASES SUPPORT (AND REQUIRE) A TRIALARM PHOTOELECTRIC, PHOTOHEAT, HEAT OR IONIZATION SENSOR
  - PHOTOELECTRIC SMOKE SENSOR 4098-9714: SEVEN LEVELS OF SENSITIVITY FROM 0.2% TO 3.7%
  - IONIZATION SMOKE SENSOR 4098-9717: FOUR LEVELS OF SENSITIVITY FROM 0.5% TO 1.7%
  - HEAT SENSORS 4098-9733:
    - RATE-OF-RISE TEMPERATURE DETECTION IS SELECTABLE AT THE CONTROL PANEL FOR EITHER 157° (57° C) OR 207° (75° C) PER MINUTE
    - FIXED TEMPERATURE SENSING IS INDEPENDENT OF RATE-OF-RISE AND PROGRAMMABLE TO OPERATE AT 130F (57° C) OR 155F (68° C)
    - TRIALARM HEAT SENSORS CAN BE PROGRAMMED AS A UTILITY DEVICE TO MONITOR FOR TEMPERATURE EXTREMES IN THE RANGE FROM 32° F TO 155° F (0° C TO 68° C)
  - UL STANDARD SPACING: 60 FT (18.3 M) SPACING FOR 135F (57° C) 40 FT (12.2 M) SPACING FOR 155° F (68° C)
  - CO SENSOR BASES ARE MULTI-POINT BASES, CONSUME ONLY ONE IDNET ADDRESS, AND RECEIVE BOTH COMMUNICATIONS AND SENSOR POWER FROM THE IDNET CHANNEL
  - MAGNETIC TEST FEATURE
  - LOCKING ANTI-TAMPER DESIGN
  - INTERNAL RED LED FOR POWER-ON (PULSING), OR ALARM OR TROUBLE (STEADY ON)
  - BASE MOUNTED ADDRESS SELECTION:
    - ACCESSIBLE FROM FRONT (DIP SWITCH UNDER SENSOR)
    - ADDRESS REMAINS WITH ITS PROGRAMMED LOCATION
  - FOR USE WITH SIMPLEX 4100 SERIES CONTROL PANELS
  - MAXIMUM QUANTITY OF DEVICES: 250 FOR 4100 IDNET CHANNEL
  - MOUNTING: CEILING OR WALL
  - COLOR: FROST WHITE
  - BASE DIMENSIONS: 1-1/8" x 6-7/16" (2.85 CM x 16.5 CM)



**UL 2034 REQUIREMENTS REFERENCE**

70 PPM CONCENTRATION	ALARM WINDOW 60 TO 240 MINUTES
150 PPM CONCENTRATION	ALARM WINDOW 10 TO 30 MINUTES
400 PPM CONCENTRATION	ALARM WINDOW 4 TO 15 MINUTES

**DESCRIPTION:** TRIALARM SENSOR BASES CONTAIN INTEGRAL ADDRESSABLE ELECTRONICS THAT CONSTANTLY MONITOR THE STATUS OF THE DETACHABLE PHOTOELECTRIC, IONIZATION, OR HEAT SENSORS. EACH SENSOR'S OUTPUT IS DIVERTED AND TRANSMITTED TO THE SYSTEM FIRE ALARM CONTROL PANEL EVERY FOUR SECONDS. THREE TYPES OF CO INFLUENCED OPERATION ARE AVAILABLE: UL 2034 CO ALARM DETECTION, UL 2075 CO (OSHA) LEVEL MONITORING FOR VENTILATION CONTROL, AND MULTI-CRITERIA FIRE SENSOR ANALYSIS WITH ALGORITHMS THAT COMBINES OPTICAL AND CO GAS MONITORING INFORMATION OPERATION OF A CO SENSOR BASE WITH A PHOTOELECTRIC OR A PHOTO/HEAT SENSOR ALLOWS: INDEPENDENT SENSOR OPERATION OR SELECTABLE MULTI-SENSOR MODES OF FALSE ALARM REDUCTION OR FASTER DETECTION; FALSE ALARM REDUCTION ANALYZES CO AND PHOTOELECTRIC SENSOR INFORMATION TOGETHER TO PROVIDE A SOPHISTICATED REJECTION OF NON-FIRE CONDITIONS NORMALLY TROUBLESHOOT AS FALSE ALARMS (STEAM, DUST, KEROSENE, ETC.); FASTER DETECTION (INCREASED SENSITIVITY) ALGORITHM ANALYZES CO AND PHOTOELECTRIC SENSOR INFORMATION TO ALLOW THE PRESENCE OF CO TO IMPLEMENT AN INCREASED PHOTOELECTRIC SENSITIVITY FOR HIGH VALUE LOCATIONS (MUSEUMS, ELECTRICAL EQUIPMENT ROOMS, ETC.)

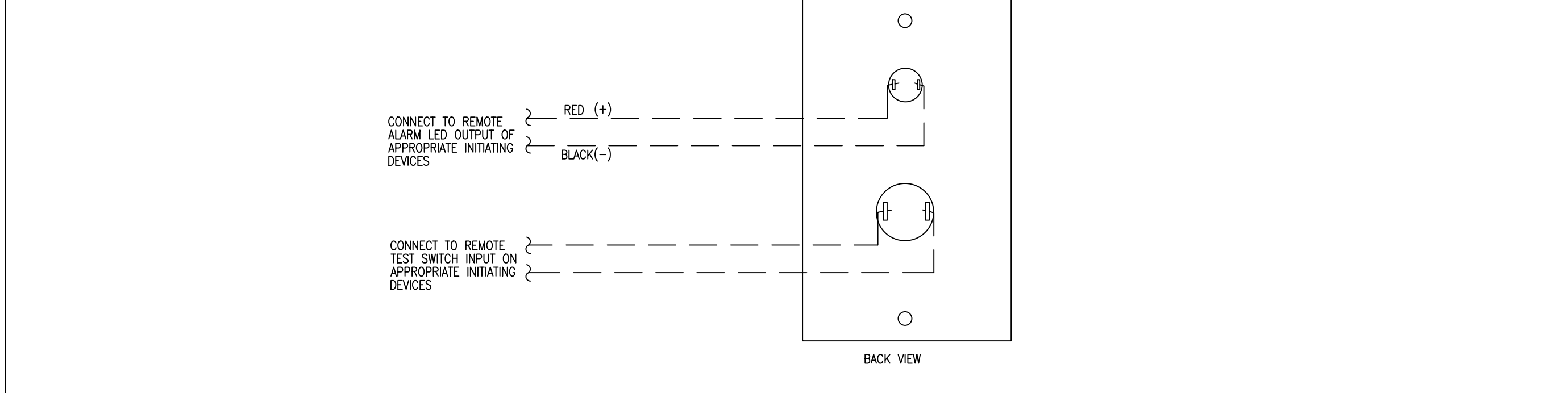
**PRODUCT INFORMATION 2098-9806 REMOTE ALARM INDICATOR/KEY SWITCH**

- FEATURES:**
- UL LISTED
  - CALIFORNIA STATE FIRE MARSHAL LISTING NUMBERS: 2098-9806 ALARM INDICATOR 7300-0226/150
  - MOUNTING: FLUSH
  - FINISH: CHROME OR STAINLESS STEEL

- SPECIFICATIONS:**
- ALARM CURRENT: 2.8 mA
  - DIMENSIONS OF BOX: 2" W x 3 1/4" X 2"

**DESCRIPTION:** 2098-9806 REMOTE TEST STATION, PROVIDES A REMOTE RED ALARM LED STATUS INDICATOR AND A REMOTE TEST KEY. ACTIVATED SWITCH MOUNTED ON A SINGLE GANG STAINLESS STEEL PLATE. THE LED WILL PULSE TO INDICATE NORMAL OPERATION OF THE DETECTOR AND WILL ENCODE CONTACTS WHEN IN ALARM OR IN TROUBLE. (THE EXACT STATUS OF THE SENSOR WILL BE DISPLAYED AT THE FIRE ALARM CONTROL PANEL). TURNING THE TEST SWITCH TO "TEST" WILL INITIATE AN ALARM AND ALLOW THE RESULTING SYSTEM RESPONSES TO BE VERIFIED.

- WIRING:**
- MINIMUM 18 AWG OR TO LOCAL CODE
  - CONDUCTORS MUST TEST FREE OF ALL GROUNDS
  - REMOTE ALARM LED IS POLARIZED, OBSERVE COLOR CODE WIRING
  - ONE INDICATOR MAY BE INSTALLED PER DETECTOR

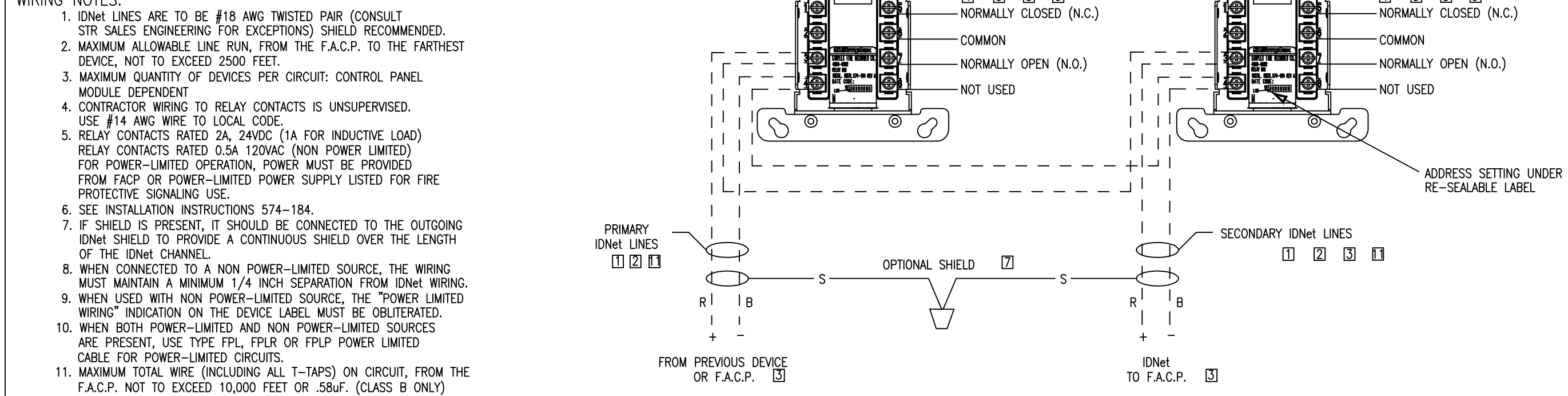


**PRODUCT INFORMATION 4090-9002 IDNET, INDIVIDUAL ADDRESSABLE MODULE RELAY (IAM)**

- FEATURES:**
- UL LISTED
  - A SINGLE ADDRESSABLE POINT BOTH CONTROLS A 2A FORM "C" CONTACT AND TRACKS ITS STATUS
  - COMPATIBLE WITH SIMPLEX MODEL 4010 AND 4100 ADDRESSABLE FIRE ALARM CONTROL PANELS
  - LATCHING RELAY DESIGN ALLOWS DATA AND POWER TO BE BOTH SUPPLIED BY IDNET COMMUNICATIONS
  - CONTACT SEALED CONSTRUCTION
  - SCREW TERMINALS FOR WIRING CONNECTIONS
  - REMOVES DUST INFILTRATION

- SPECIFICATIONS:**
- RELAY IAM POWER: SUPPLIED BY IDNET COMMUNICATIONS
  - RELAY IAM CONTACTS (FROM "C" SPDT)
  - POWER LIMITED RATING: 2A @ 240VAC, TRANSIENT SUPPRESSED LOADS, 1A @ 240VDC FOR INDUCTIVE LOADS
  - NON POWER LIMITED RATING: 1/2A @ 240VAC, TRANSIENT SUPPRESSED LOADS, 1A @ 24 VDC FOR INDUCTIVE LOADS
  - WIRE CONNECTIONS: SCREW TERMINALS FOR IN/OUT WIRING, #18 TO #14 AWG WIRE
  - COMPATIBLE WITH SIMPLEX 2081-9044 OVER VOLTAGE PROTECTORS
  - DIMENSIONS: 4 1/8" x 4 1/8" x 1 3/8" (105mm x 105mm x 35mm)
  - HOUSING MATERIAL: BLACK THERMOPLASTIC
  - MOUNTING PLATE MATERIAL: SHEET METAL, GALVANIZED
  - TEMPERATURE RANGE: 32° F TO 122° F (0° C TO 49° C)
  - INTENDED FOR INDOOR OPERATION
  - HUMIDITY RANGE UP TO 95% RH AT 100° F (38° C)

**DESCRIPTION:** IDNET RELAY IAMs ALLOW THE SIMPLEX FIRE ALARM CONTROL PANEL TO CONTROL A REMOTE LOCATED FORM "C" CONTACT USING IDNET ADDRESSABLE COMMUNICATIONS. THE CONTACTS ARE USED TO CONTROL LOCAL POWER FOR CONTROL FUNCTIONS SUCH AS ELEVATOR CAPTIVE, OR CONTROL OF HVAC COMPONENTS, PRESSURIZATION FANS, DAMPERS, ETC. RELAY STAYS IS ALSO COMBINATED REQUIRING ONLY ONE DEVICE ADDRESS.



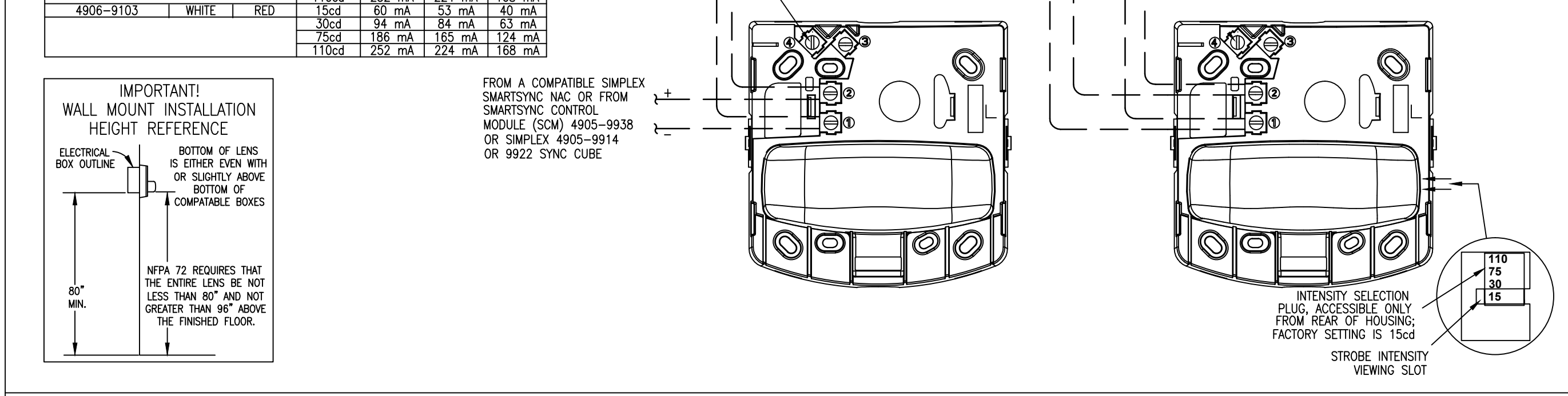
**TrueAlert™ NON-ADDRESSABLE MULTI-CANDELA VISIBLE NOTIFICATION APPLIANCE (WALL MOUNT)**

- FEATURES:**
- UL LISTED TO STANDARD 1971
  - AAA COMPATIBLE BATTERY
  - SYNCHRONIZATION FLASH RATE MODE FOR USE WITH:
    - SEPARATE STROBE SYNCHRONIZATION MODULES THAT ARE AVAILABLE FOR CLASS B OR CLASS A OPERATION
    - SEPARATE SMARTING CONTROL MODULES (SCM) THAT PROVIDE CLASS B OR CLASS A OUTPUT FROM CONVENTIONAL NAC INPUTS

- SPECIFICATIONS:**
- HOUSING DIMENSIONS: 5-1/8" H x 5" W x 2-3/4" D (130mm X 127mm X 70mm)
  - TEMPERATURE RANGE: 32F TO 122F (0 TO 50C)
  - HUMIDITY RANGE: 10% TO 95% NON-CONDENSING AT 100% (38C)
  - TERMINAL BLOCKS FOR 18AWG TO 12AWG, TWO WIRES PER TERMINAL FOR IN/OUT WIRING

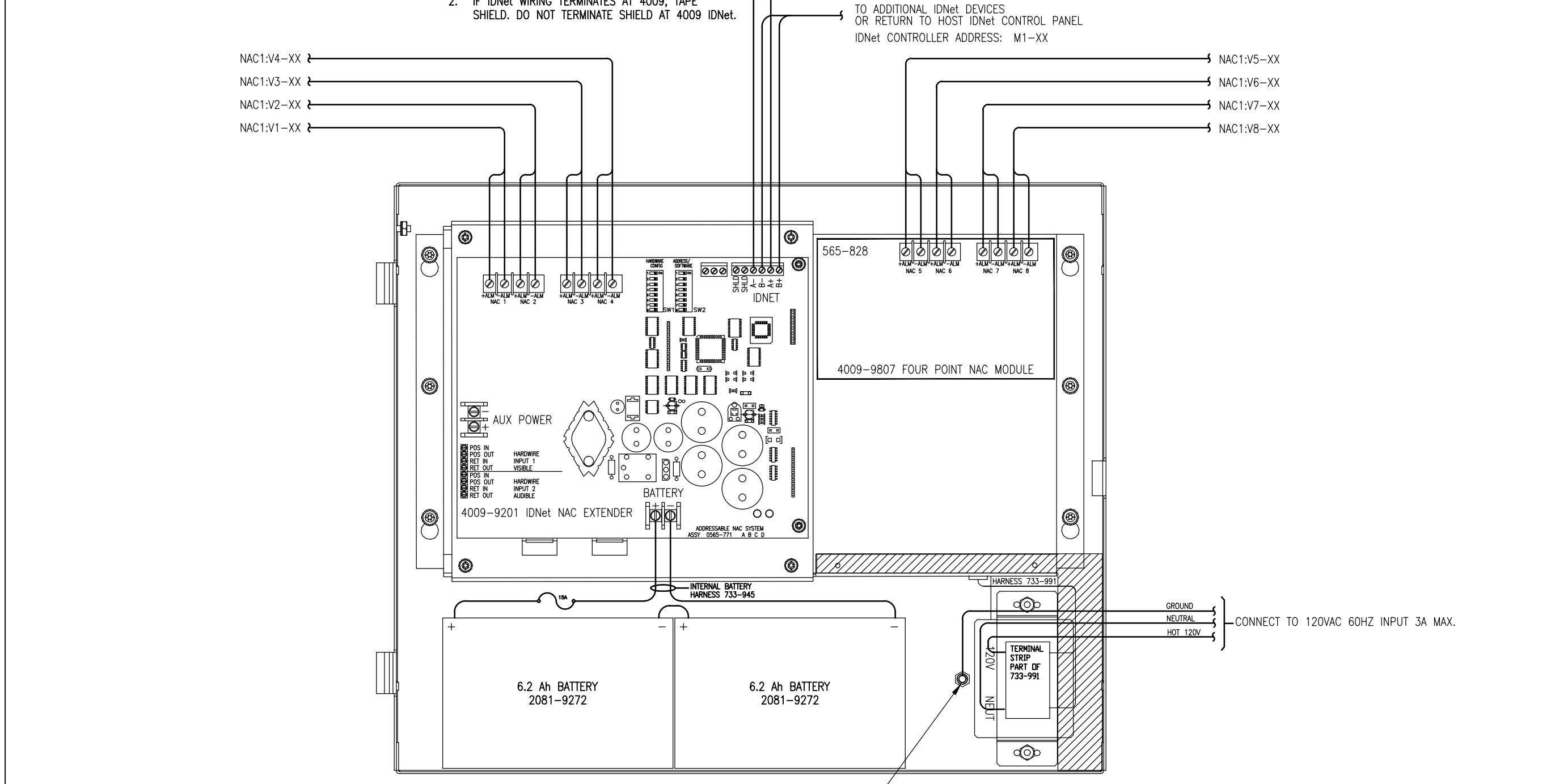
- WIRING:**
- NOTIFICATION APPLIANCES ARE RATED PER INDIVIDUAL NAMEPLATE LABEL
  - MAINTAIN CORRECT POLARITY ON TERMINAL CONNECTIONS, DO NOT LOOSE WIRES UNDER TERMINALS
  - ALL NAC WIRING CONNECTIONS ARE SUPERVISED AND POWER-LIMITED
  - SEE INSTALLATION INSTRUCTIONS (575-548) FOR ADDITIONAL INFORMATION

- STROBE:**
- RATED VOLTAGE RANGE: UL LISTED: 16 VDC TO 33 VDC PER UL 1971
  - ULC LISTED: 20 VDC TO 30 VDC PER ULC 5526-4878
  - FLASH RATE: 1Hz
  - SYNCHRONIZED MODE NAC LOADING: MAXIMUM OF 35 SYNCHRONIZED STROBES PER NAC CIRCUIT
  - CURRENT DRAWS REFLECT STROBE FLASHING



**4009-9201 NAC EXTENDER PANEL W/4009-9807**

- IF OPTIONAL SHIELDS ARE USED FOR IDNET WIRING, FOLLOW THESE PRECAUTIONS:**
- IF IDNET WIRING CONTIGUES ON TO ANOTHER DEVICE, TAP SHIELDS TOGETHER, DO NOT TERMINATE SHIELD AT 4009 IDNET
  - IF IDNET WIRING TERMINATES AT 4009, TAPE SHIELD, DO NOT TERMINATE SHIELD AT 4009 IDNET



**SimplexGrinnell Be Safe.**  
A Tyco International Company

20 THOMAS DRIVE  
WESTBROOK, NE 04092  
SALES: 207-842-6440  
SERVICE: 207-842-6440  
FAX: 207-842-6439

© 2012 SIMPLEXGRINNELL LP  
ALL RIGHTS RESERVED

REVISION DESCRIPTION

DATE

NO.

FIRE ALARM & APARTMENT INTERCOM SYSTEM  
DEVICE WIRING DETAIL  
ELM TERRACE  
68 HIGH STREET  
PORTLAND, MAINE

DRAWN BY: DATE: LORION 3/6/12

CHECKED BY: DATE: KALAFARSKI 3/13/12

PROJECT NUMBER: 147420360

SHEET TITLE: FA/INTERCOM SYSTEMS DEVICE WIRING DETAIL

SHEET NUMBER: FA-702