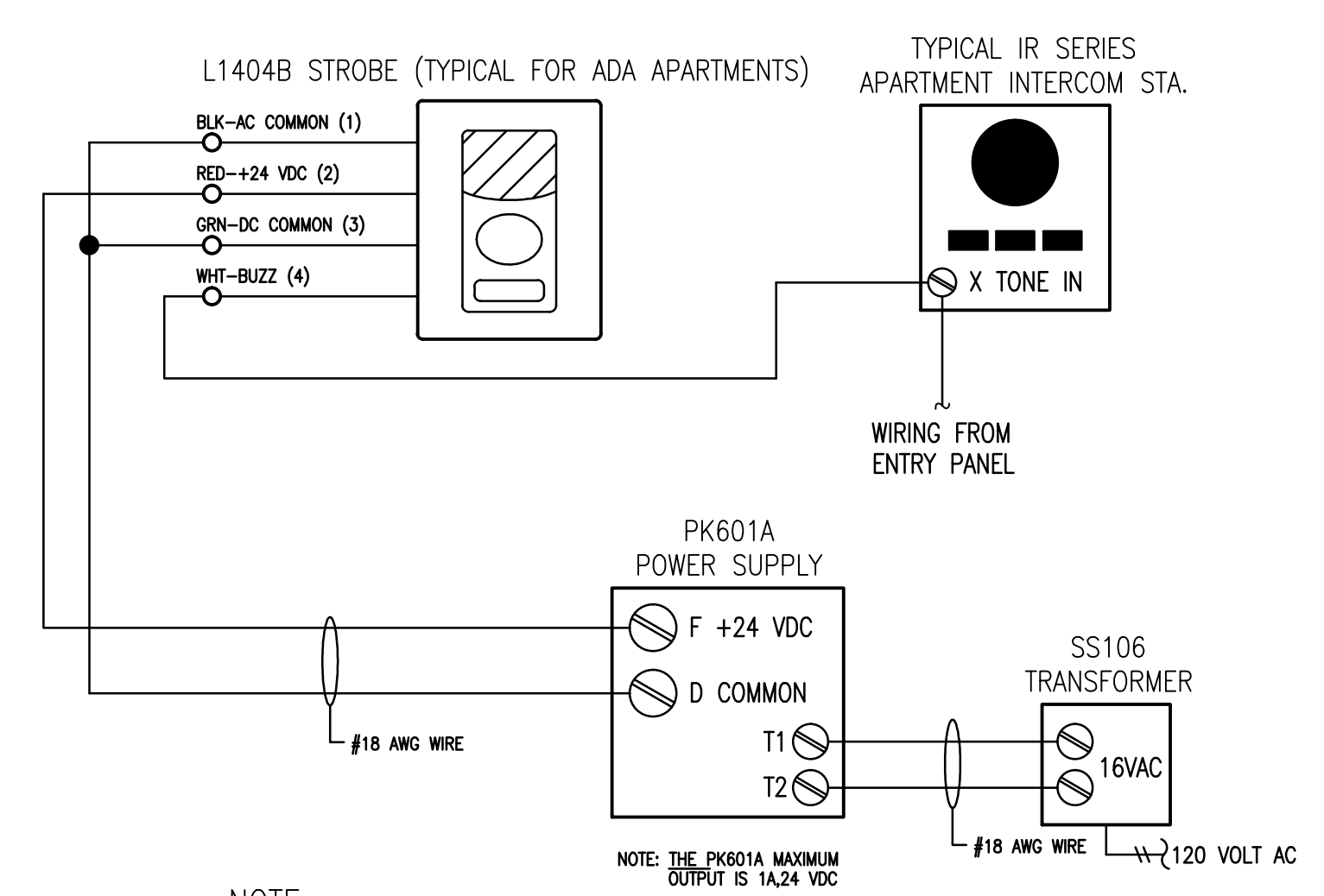


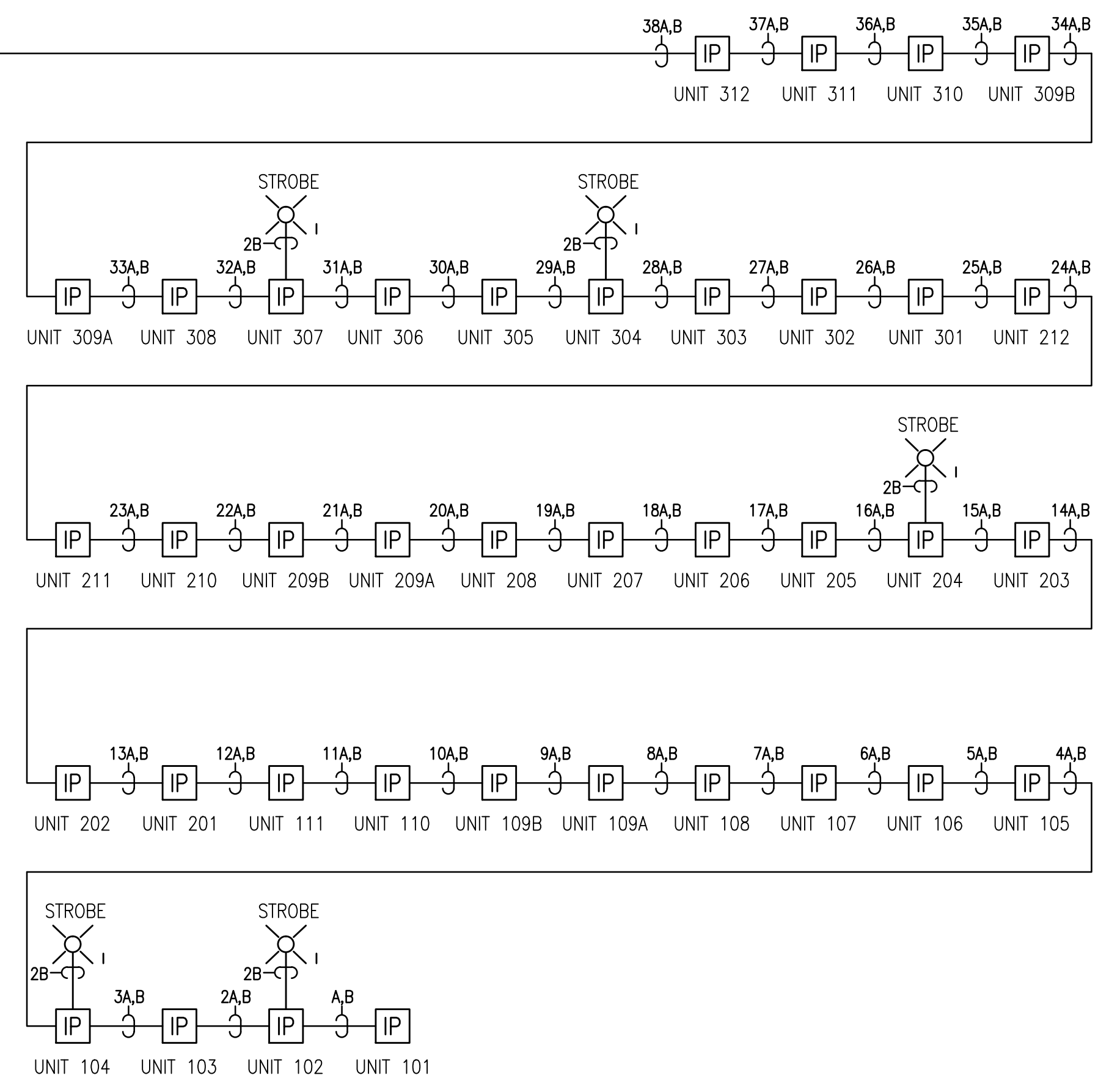
- NOTES:
1. USE #22 AWG WIRE UNLESS SHOWN OTHERWISE.
 2. WARBLE OR STEADY TONE IS HARD WIRE SELECTABLE.
 3. DOOR RELEASE WIRING SHOULD BE RUN SEPARATE FROM ENTRANCE PANEL SPEAKER WIRING.
 4. SHUNTS REFERRED TO IN DIAGRAMS ARE LOCATED ON PK543A.
 5. TERMINAL P OS FOR STROBE ONLY, DO NOT CONNECT OTHER WIRES TO THIS TERMINAL.

FIGURE 1 - PK543A WIRING DIAGRAM
 APARTMENT TO INTERCOM STATIONS

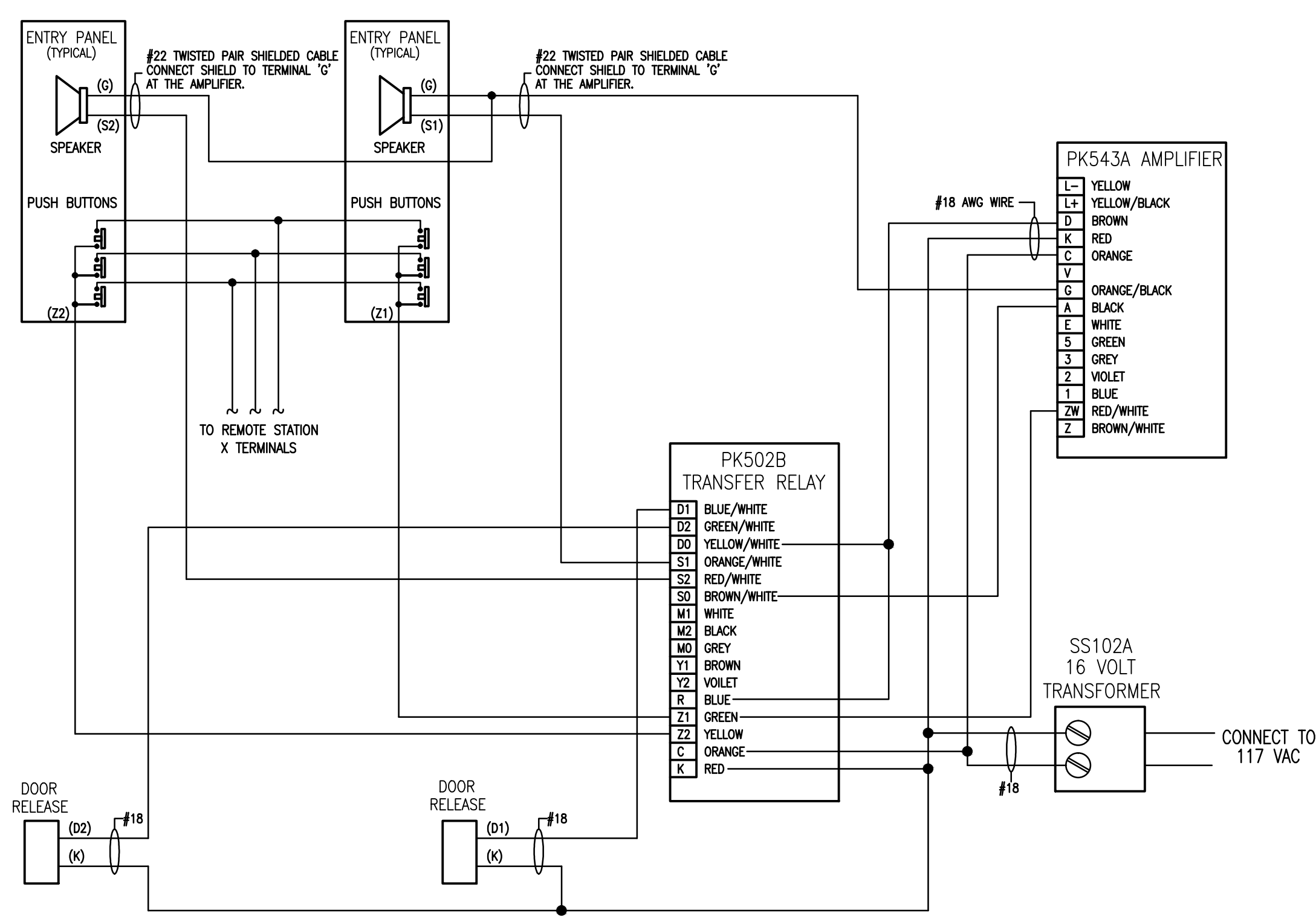


- NOTE:
1. PRESSING THE RESPECTIVE CALL BUTTON AT THE ENTRANCE PANEL RESULTS IN A TONE TO THE APARTMENT AND TRIGGER TO THE STROBE.

FIGURE 3 - L1404B STROBE FOR ADA ROOMS
 WIRING DIAGRAM FOR PK543A SYSTEMS



RISER DIAGRAM



- NOTE:
1. USE #22 WIRE UNLESS SHOWN OTHERWISE.

FIGURE 2 - PK502B WIRING DIAGRAM
 FOR THE PK543/A AND 2 ENTRANCES

SYMBOL LEGEND			
SYMBOL	DESCRIPTION	MODEL#	BACKBOX
EP	ENTRY PANEL	TEKTONE CM492/CM490 W/ AM492P & AM190D	OF193 FRAME OK193 HOUSING
IP	APARTMENT INTERCOM STATION	TEKTONE IR204E	SINGLE GANG BOX
J	JUNCTION BOX	BY OTHERS	N/A
DS	DOOR STRIKE	TEKTONE PO 001	N/A
TR	TRANSFER RELAY	TEKTONE PK502B	SURFACE MOUNTED
A	SYSTEM AMPLIFIER	TEKTONE PK543A	SURFACE MOUNTED
SS102A	TRANSFORMER	TEKTONE SS102A	N/A
SS106	TRANSFORMER	TEKTONE SS106	N/A
PK601A	POWER SUPPLY	TEKTONE PK601A	SURFACE MOUNTED
⊗	STROBE	TEKTONE LI404B	SINGLE GANG BOX

APARTMENT ENTRY SYSTEM WIRE LIST			
A INTERCOM STATION WIRE - 1 TWISTED PAIR, 22 AWG OVERALL SHIELD PLENUM RATED, CMP WEST PENN 252218 AREA=0.0095 SQ. INCH			
B POWER WIRE - 1 TWISTED PAIR, 18 AWG PLENUM RATED, CMP WEST PENN 252248 AREA=0.015 SQ. INCH			
C AUDIO WIRE - 2 TWISTED PAIR SHIELDED, 22 AWG PLENUM RATED, CMP WEST PENN 252908 AREA=0.0115 SQ. INCH			
CONDUIT SIZE	CONDUCTOR AREA	CONDUIT SIZE	CONDUCTOR AREA
1/2"	0.12 SQ INCH *	1-1/2"	0.60 SQ INCH *
3/4"	0.21 SQ INCH *	2"	0.82 SQ INCH *
1"	0.34 SQ INCH *	2 1/2"	1.34 SQ INCH *
* 40% FILL PER N.E.C.			
THE CABLES SPECIFIED HERE ARE FOR REFERENCE OF REQUIRED ELECTRICAL CHARACTERISTICS AS WELL AS CODE REQUIREMENTS. ALTERNATE SUPPLIERS MAY BE SUBSTITUTED PROVIDING EQUIVALENT CHARACTERISTICS ARE MAINTAINED. ITEMS SUCH AS CAPACITANCE BETWEEN CONDUCTORS AND WIRE GAUGE CAN BE CRUCIAL TO THE CIRCUIT DESIGN OF THIS SYSTEM INSTALLATION.			

SimplexGrinnell BE SAFE.
 A Tyco International Company

20 THOMAS DRIVE
 WESTBROOK, ME 04092
 SALES: 207-842-6440
 SERVICE: 207-842-6440
 FAX: 207-842-6439

FIRE ALARM & APARTMENT INTERCOM SYSTEM
 RISER DIAGRAM & DETAILS
 ELM TERRACE
 68 HIGH STREET
 PORTLAND, MAINE

DRAWN BY:	DATE:
LORION	3/6/12
CHECKED BY:	DATE:
KALAFARSKI	3/13/12
PROJECT NUMBER:	147420360
SHEET TITLE:	FA/INTERCOM SYSTEMS RISER DIAGRAM & DETAILS
SHEET NUMBER:	EY-201