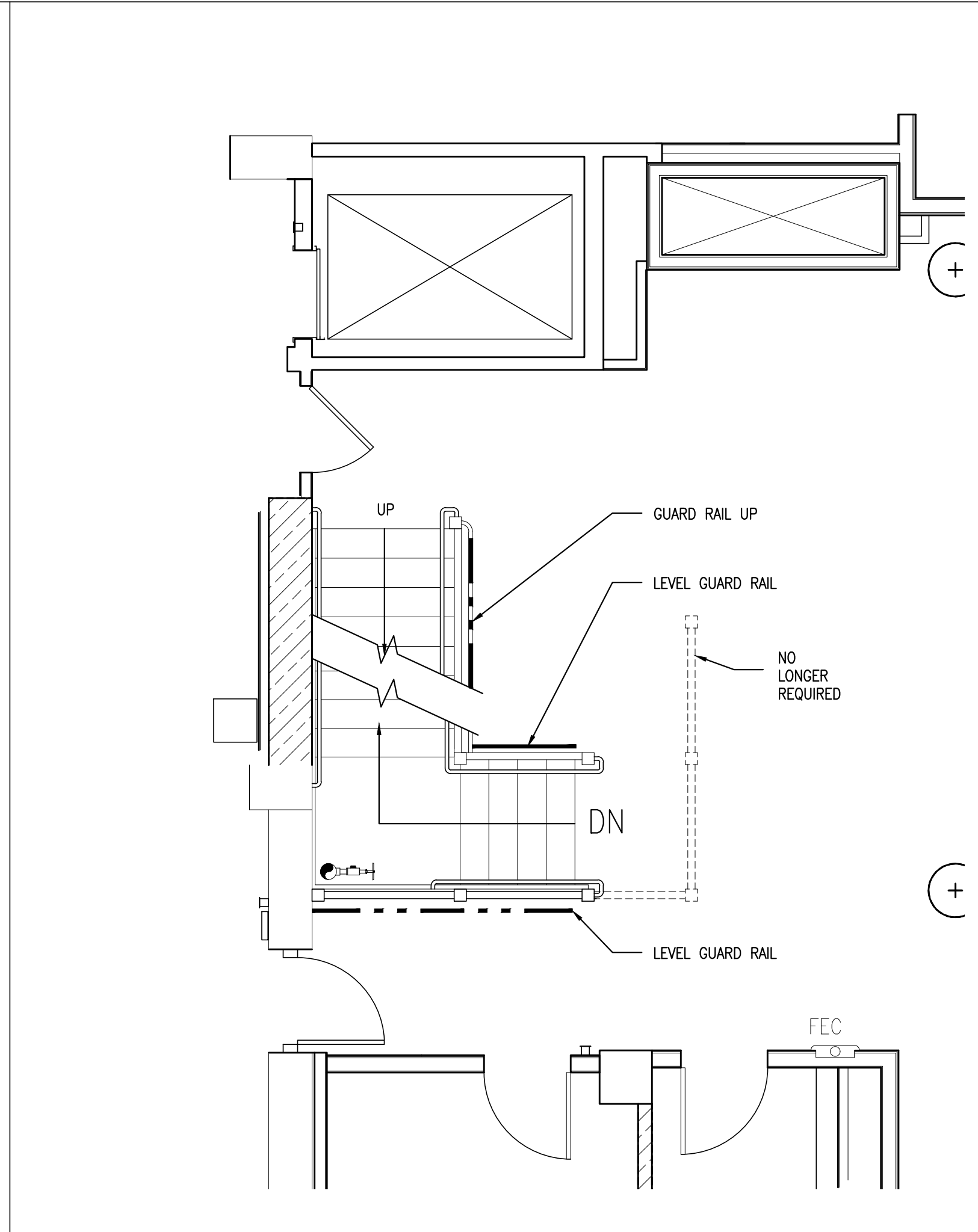
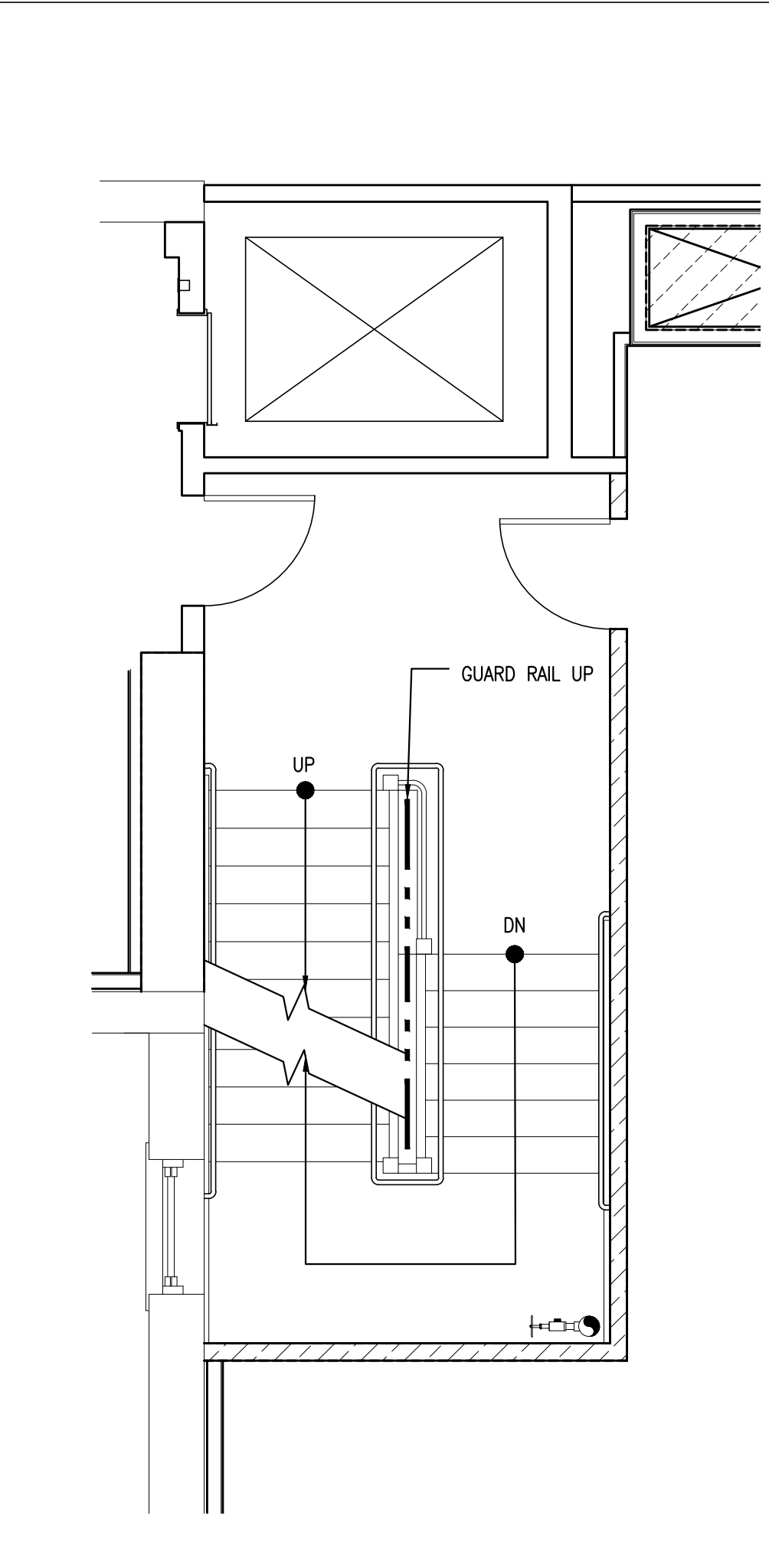


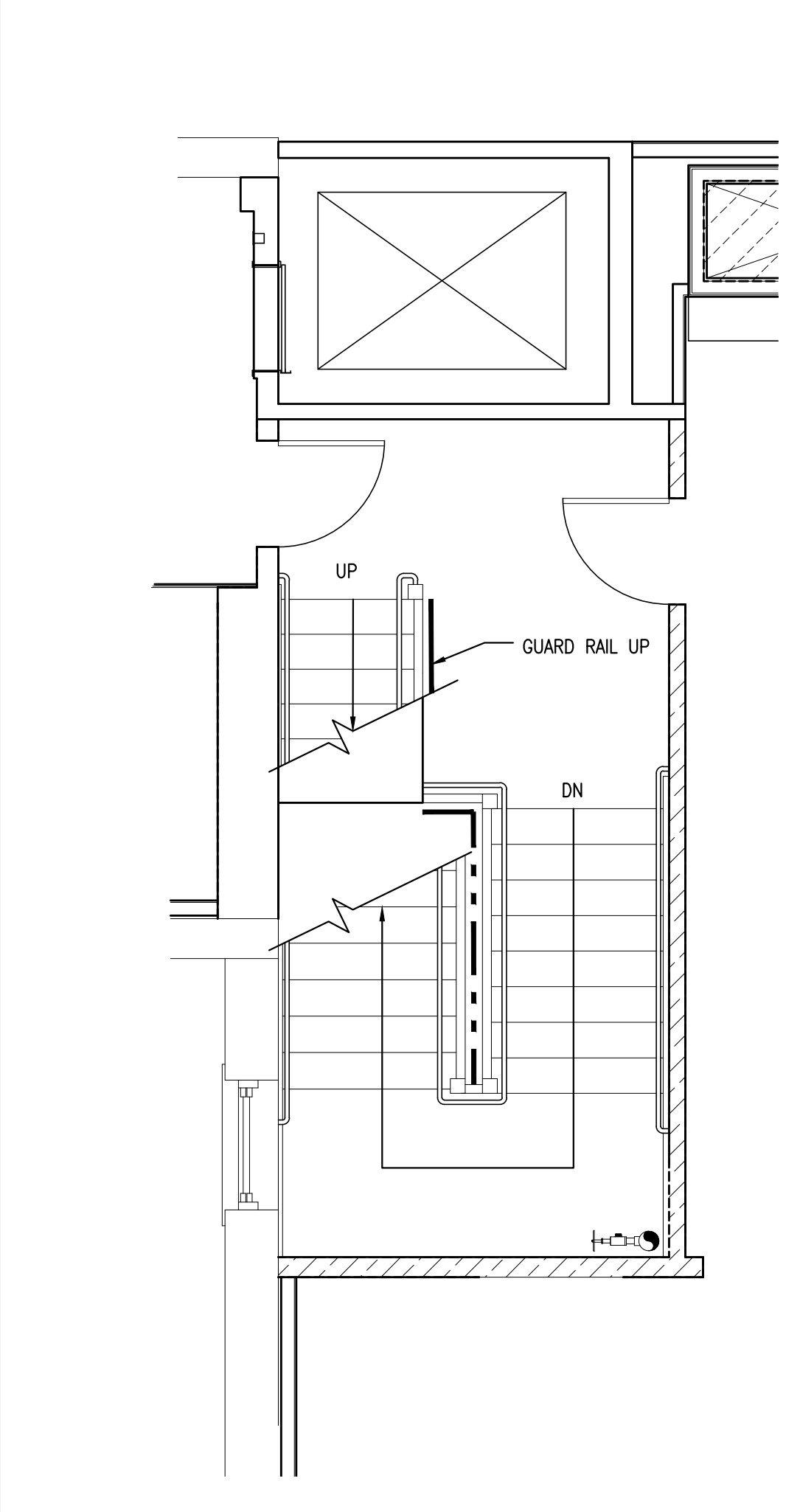
**1** BASEMENT LEVEL PLAN  
 REFERENCED FROM: SCALE: 1/4" = 1'-0"



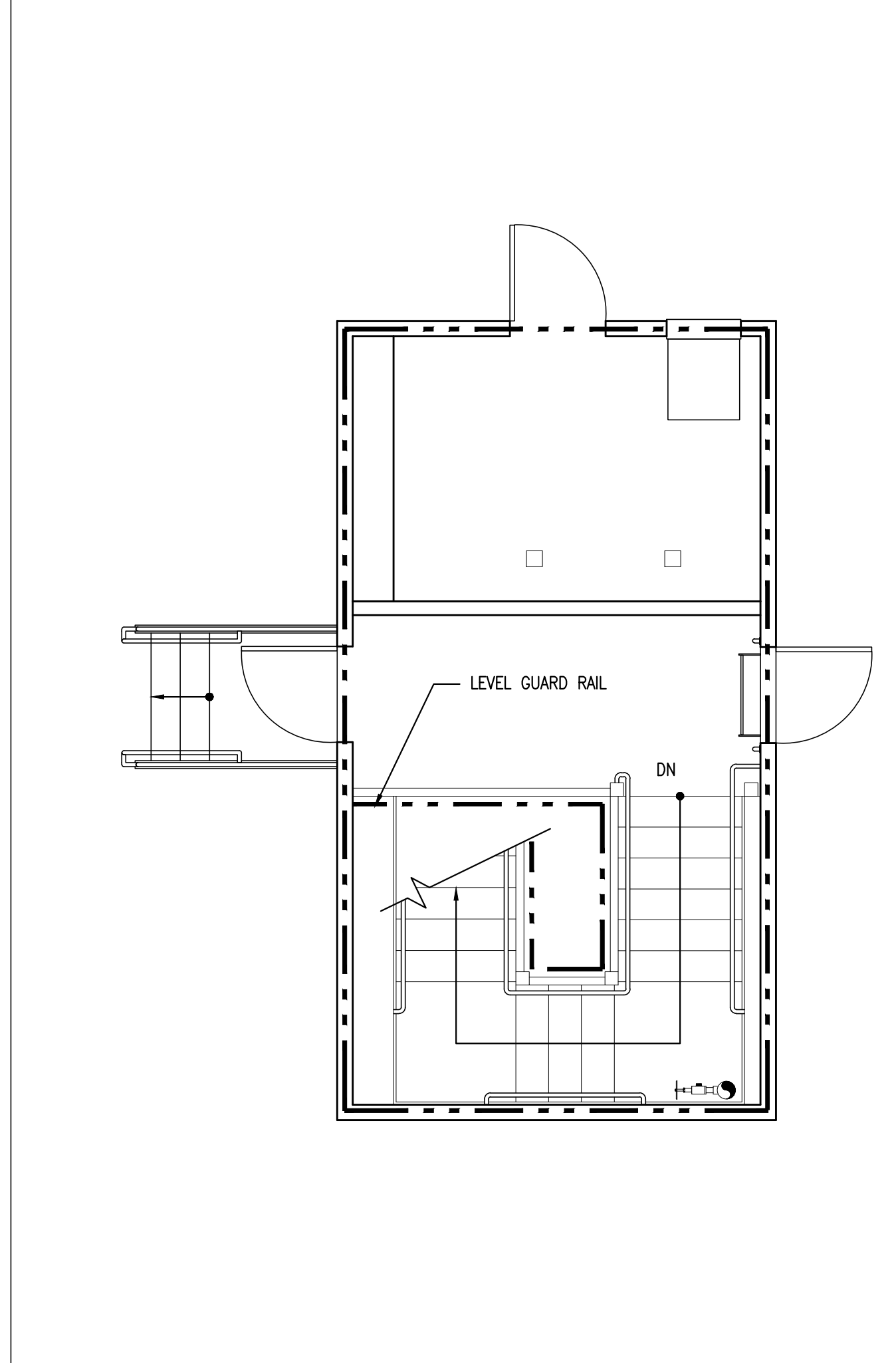
**2** FIRST FLOOR PLAN  
 REFERENCED FROM: SCALE: 1/4" = 1'-0"



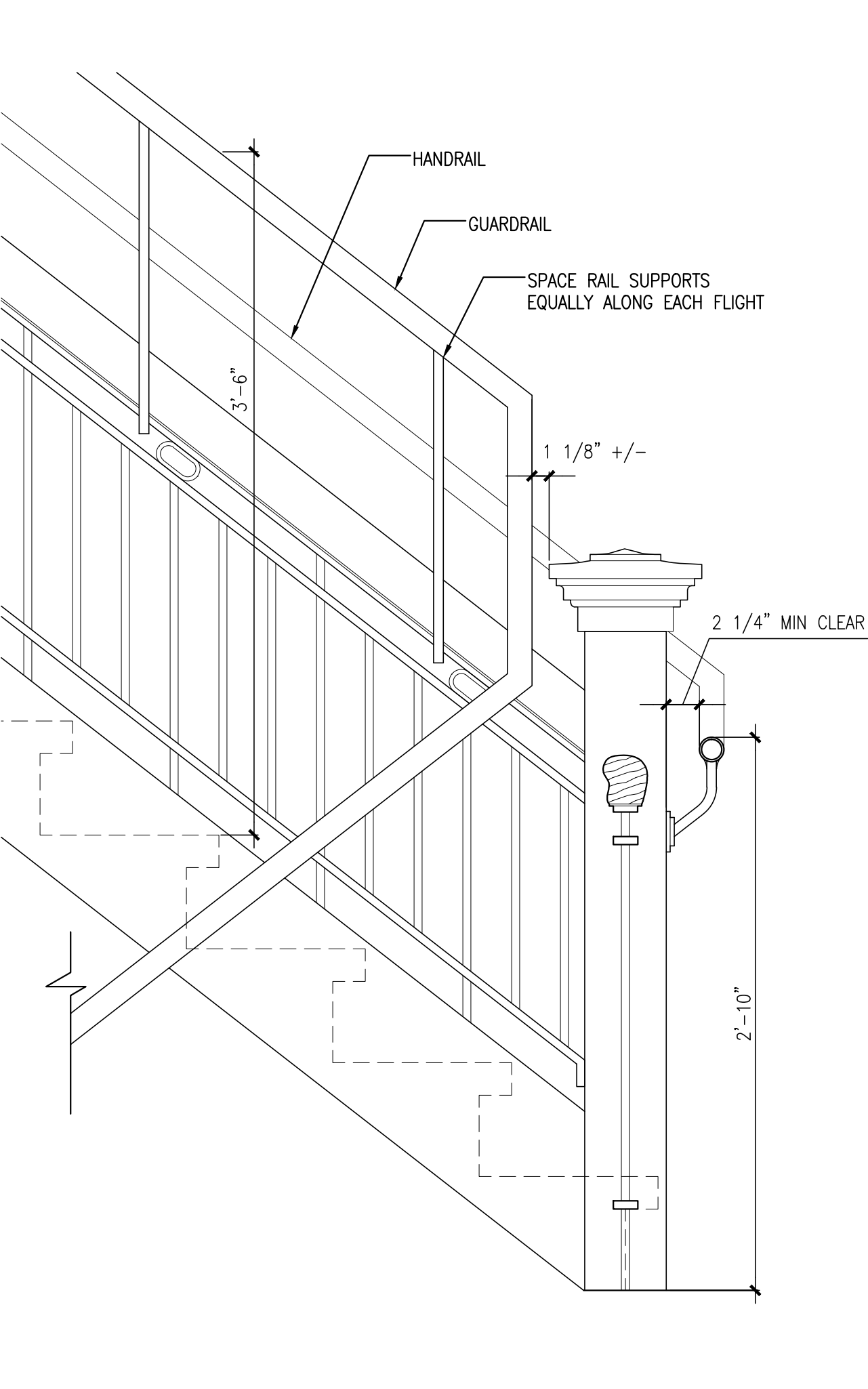
**3** SECOND FLOOR PLAN  
 REFERENCED FROM: SCALE: 1/4" = 1'-0"



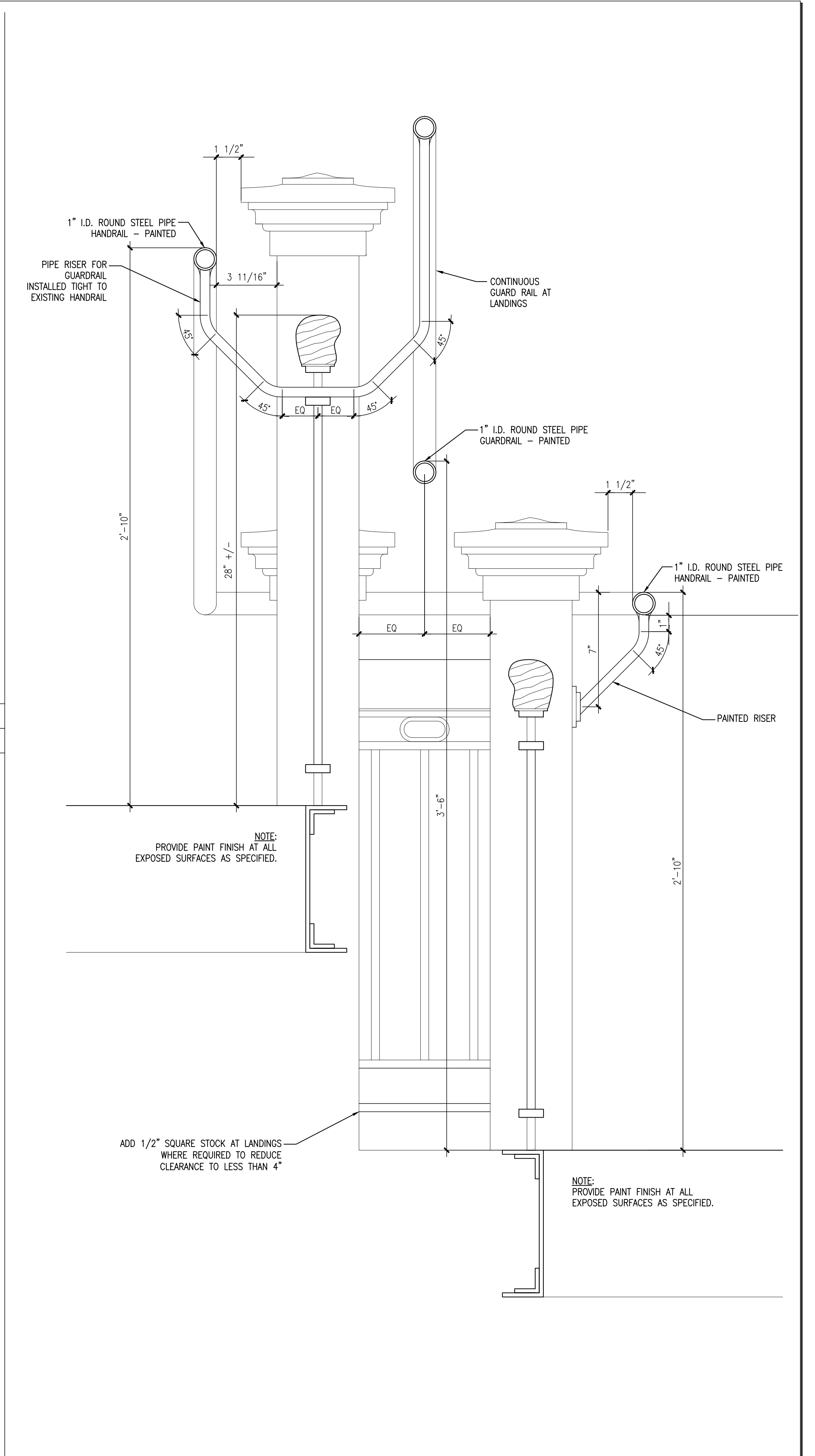
**5** THIRD FLOOR PLAN  
 REFERENCED FROM: SCALE: 1/4" = 1'-0"



**6** PENTHOUSE (ROOF LEVEL) PLAN  
 REFERENCED FROM: SCALE: 1/4" = 1'-0"



**7** TYPICAL ELEVATION  
 REFERENCED FROM: SCALE: 1 1/2" = 1'-0"



**8** SECTION AT HANDRAIL  
 REFERENCED FROM: SCALE: 3" = 1'-0"

**CWS**  
 CWS Architects  
 Architecture  
 Space Planning  
 Value Design  
 434 Cumberland Avenue  
 Portland, ME 04101  
 Phone: (207)774-4441  
 Fax: (207)774-4016  
 www.CWSarch.com

Owner:  
**Children's Hospital Housing Partners, LP**  
 309 Cumberland Ave.  
 Suite 203  
 Portland, Maine 04101  
 CONSTRUCTION MANAGER:  
**WRIGHT-RYAN CONSTRUCTION**  
 10 DANFORTH STREET  
 PORTLAND, ME 04101  
 TEL: (201) 773-3625

**ELM TERRACE**  
 68 HIGH STREET  
 PORTLAND, MAINE  
 Project No: 09428  
 Drawing Title:  
**STAIR PLANS & DETAILS - STAIR #1**

Scale: SCALE  
 Date: 10-08-2012  
 Revisions:  
 ▲  
 ▲  
 ▲  
 ▲  
 ▲  
 Drawing Number:  
**SKA-30**