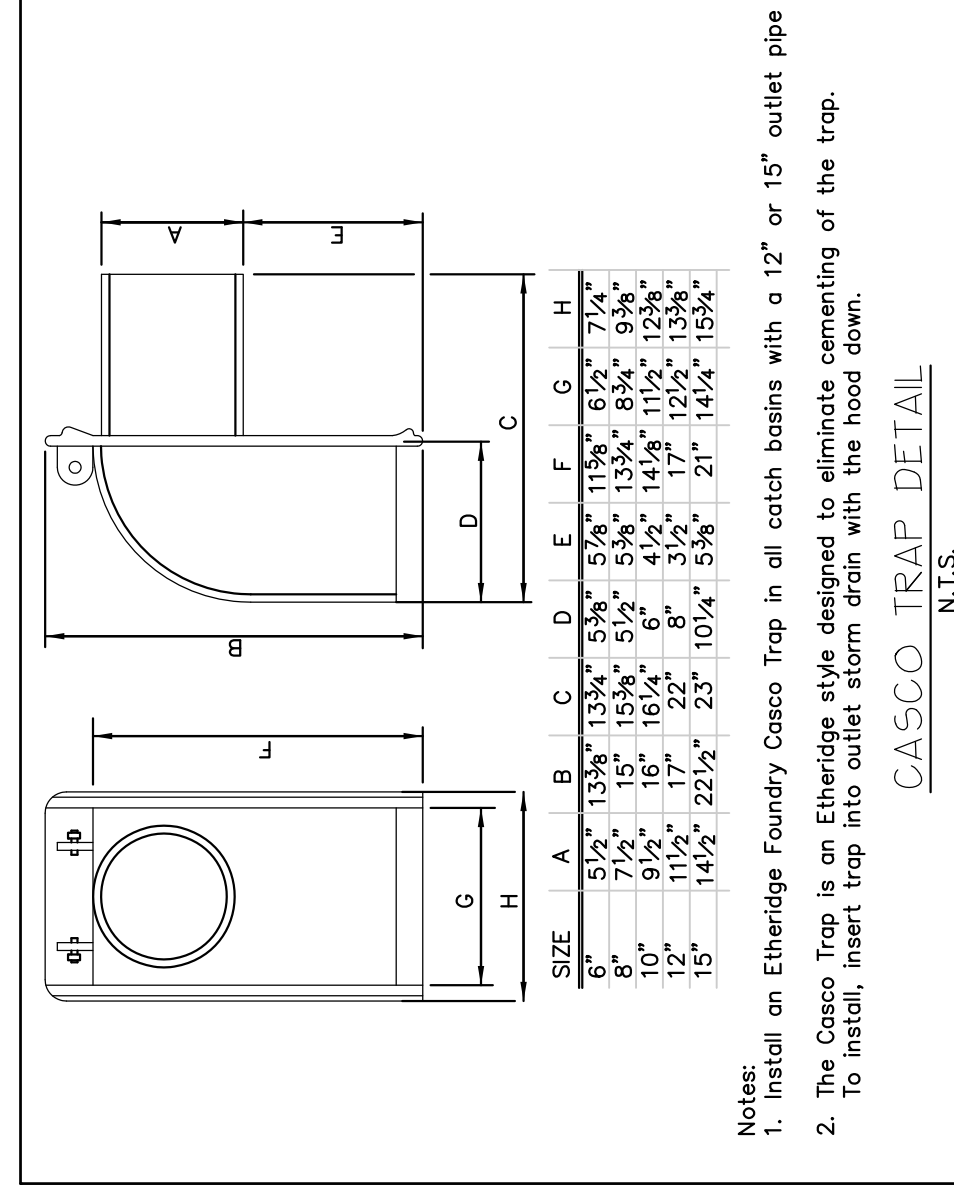


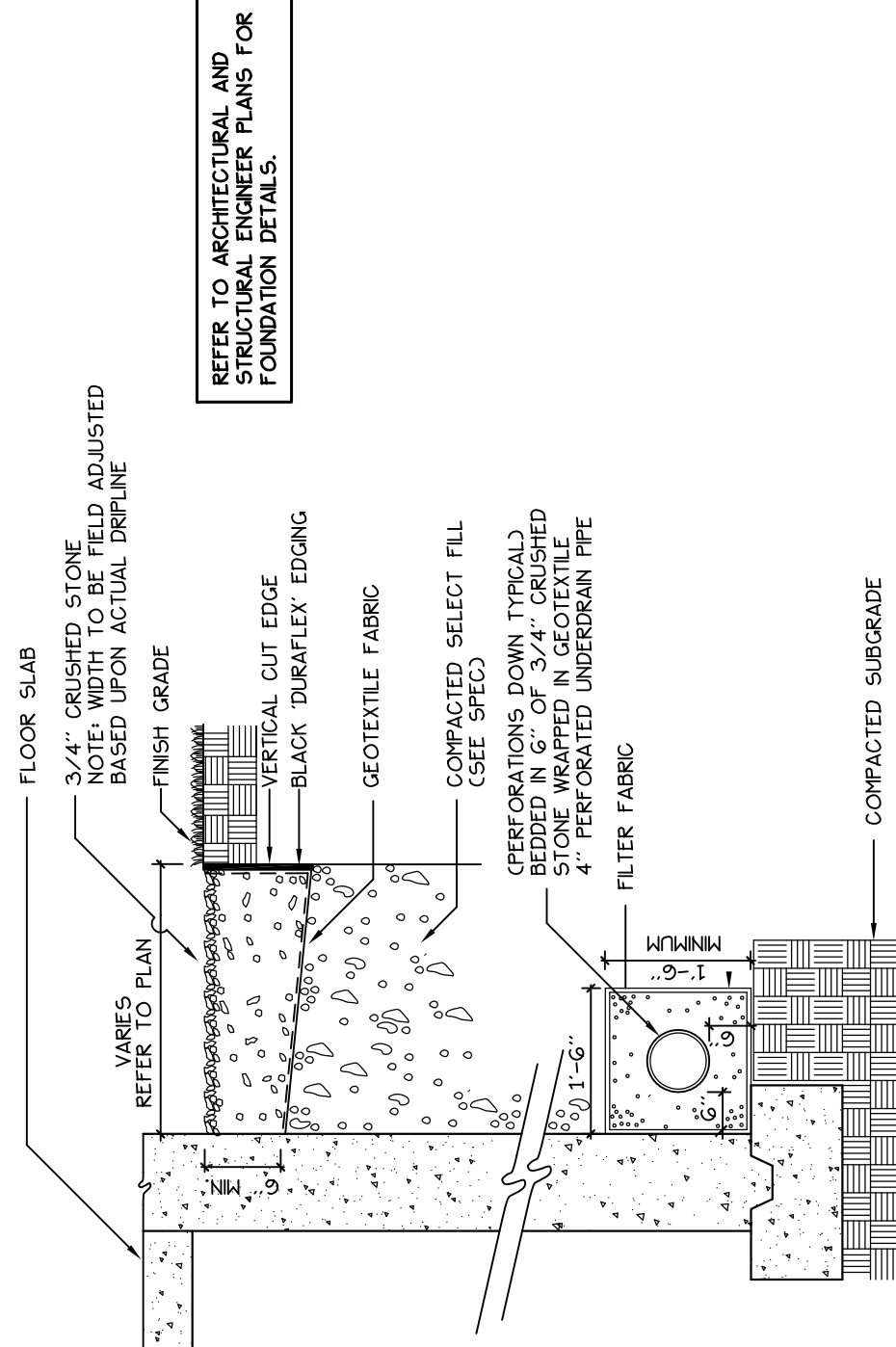
1 PRECAST CONCRETE CATCHBASIN
NOT TO SCALE

NOTES:
 1. PLUG ALL LIFTING HOLES. JOINT SECTIONS AND INSIDE MANHOLE BOOT WITH NON-SHINK GROUT. MANHOLE CHANNELS REQUIRING CHANGE IN ALIGNMENT TO BE CHAINED TO BE SHIPPED TO RECEIVE ADDED SIDE FLOW.
 2. PRECAST REINFORCED CONCRETE BARREL SECTION. MANHOLE BOOTS - 4'-0" LENGTH TO MEET FIELD CONDITIONS.
 3. CUT BACK PIPE TO MANHOLE I.D. MANHOLE FOR STORM DRAIN SYSTEM TO BE PROVIDED WITH A 2 FT. SUMP

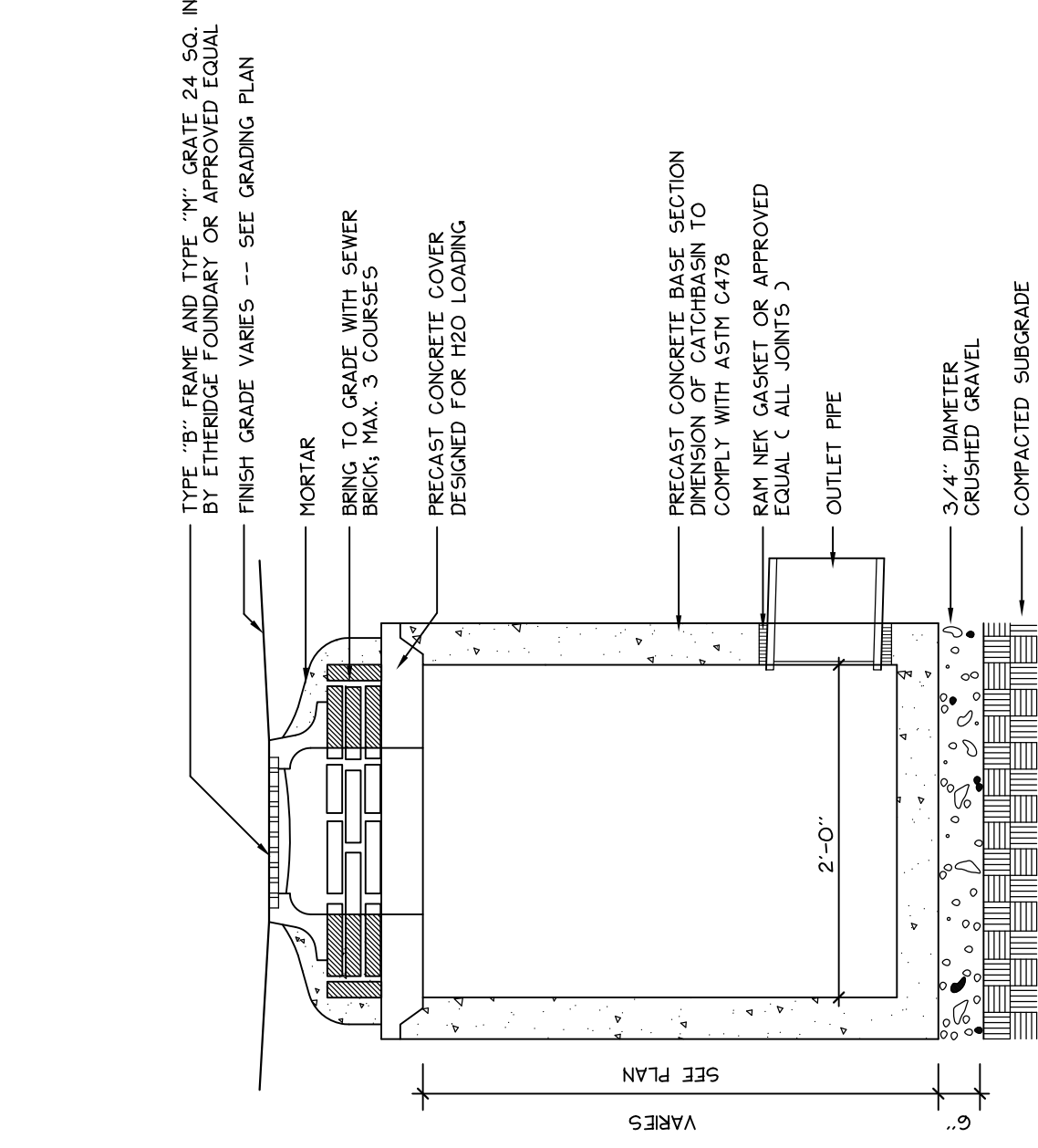


NOTES:
 1. Install an Etheridge Foundry Casco Trap in all catch basins with a 12" or 15" outlet pipe
 2. The Casco Trap is an Etheridge siphon designed to eliminate clogging of the trap. To install, insert trap into outlet storm drain with the hood down.

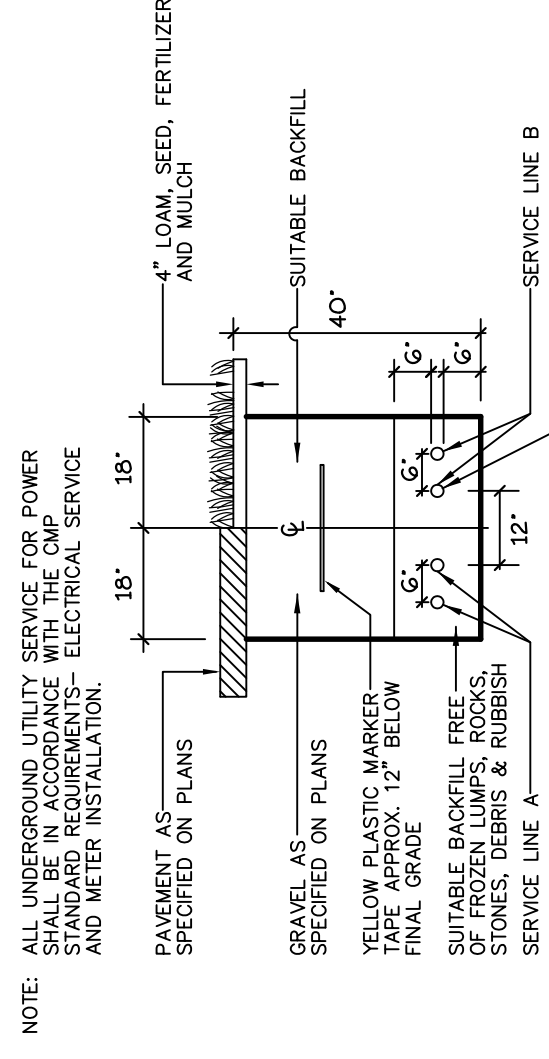
2 CASCO TRAP
NOT TO SCALE



3 DRIP STRIP AND FOUNDATION UNDERDRAIN
NOT TO SCALE



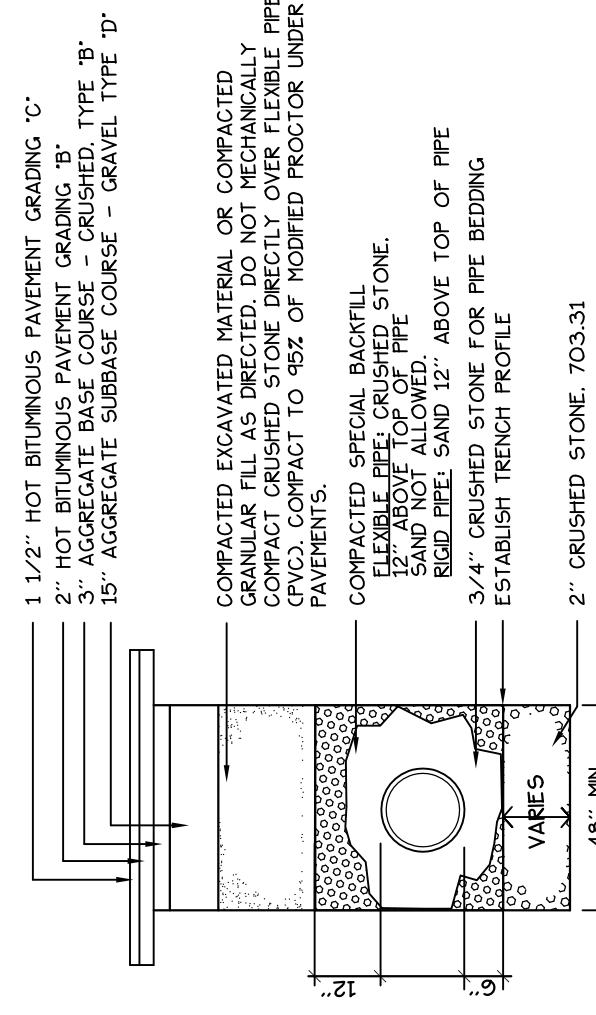
4 PRECAST CONCRETE DRAIN INLET
NOT TO SCALE



5 TYPICAL UNDERDRAIN TRENCH
NOT TO SCALE

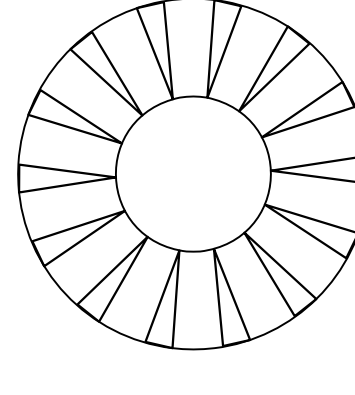
CONDUIT TYPE	CONDUIT SIZE	GRADE AREA	FLUID AREA	UTILITY	REMARKS
A	1-1/2"	CONCRETE	1.00	POWER	SEE NOTES FOR CONDUIT PROTECTION AND INSTALLATION
B	1-1/2"	CONCRETE	1.00	TELEPHONE	SEE NOTES FOR CONDUIT PROTECTION AND INSTALLATION

6 UTILITY TRENCH - PRIMARY POWER, TELEPHONE
NOT TO SCALE

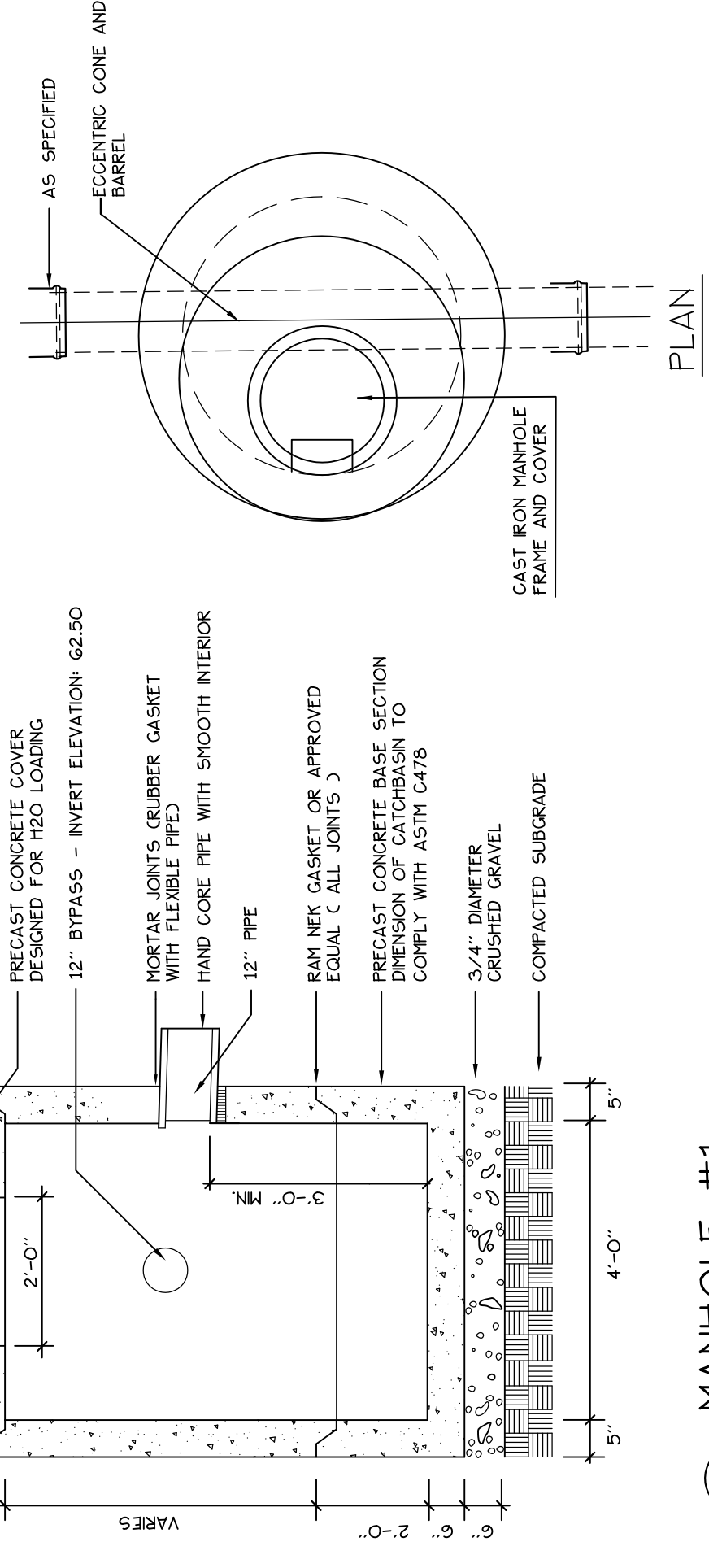


NOTES:
 ANY ALTERNATE TRENCHING METHODS SHALL BE APPROVED IN ADVANCE BY THE CITY.
 ALL TRENCH DIMENSIONS SHALL BE IN CONFORMANCE WITH THE CITY STANDARDS AND GUIDELINES.

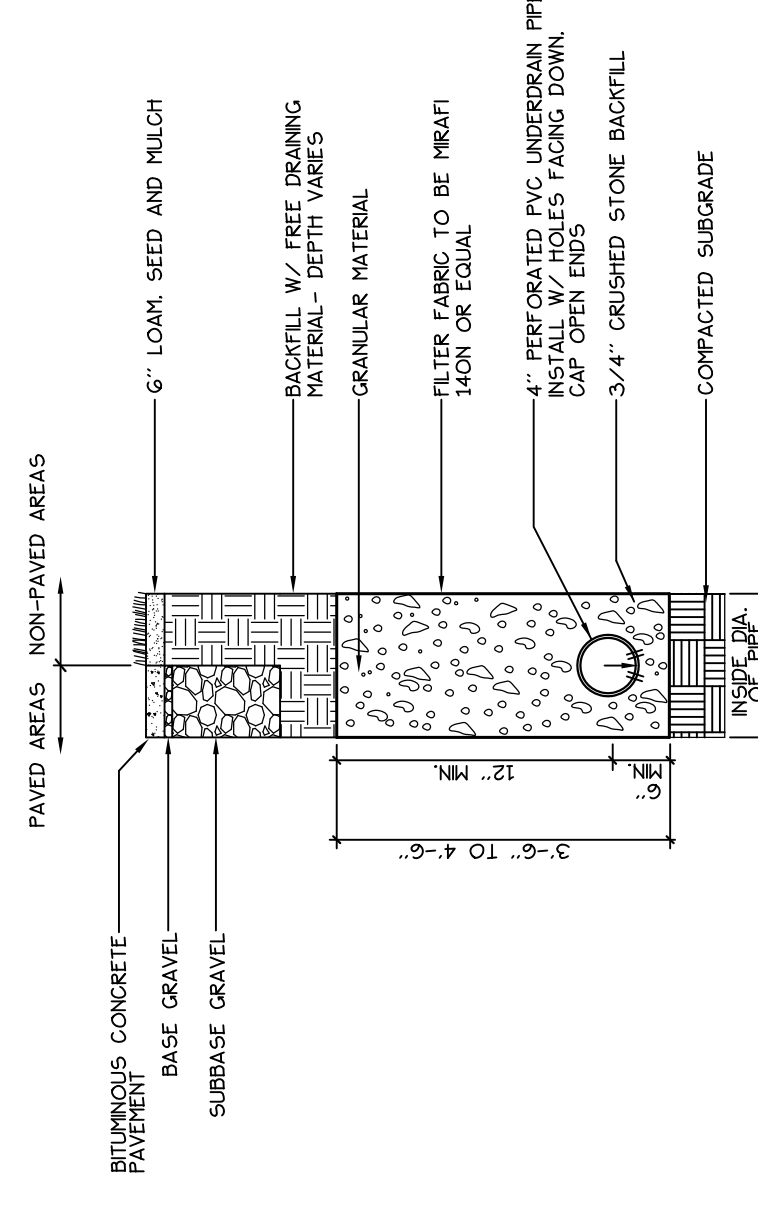
7 PIPE TRENCH DETAIL
NOT TO SCALE



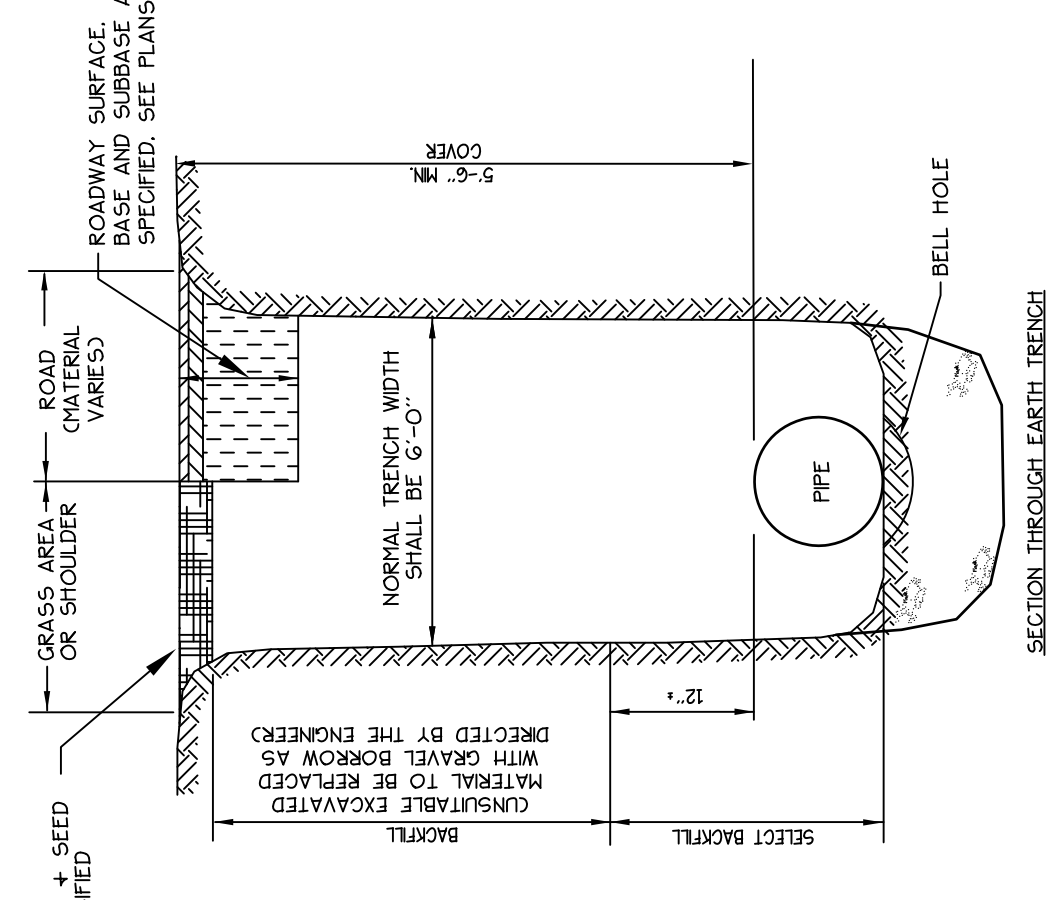
BRICK JOINT DETAIL



8 MANHOLE #1
NOT TO SCALE



9 TYPICAL UNDERDRAIN TRENCH
NOT TO SCALE



10 PORTLAND WATER DISTRICT PIPE TRENCH DETAIL
NOT TO SCALE

Prepared For:
 Children's Hospital
 Housing Partners, LP
 309 Cumberland Avenue
 Portland, Maine 04101

Prepared By:
 MITCHELL & ASSOCIATES
 Landscape Architects
 70 Center Street
 Portland, Maine 04101
 Tel: (207) 774-4427

ELM TERRACE

68 High Street

Portland, Maine

Date:
 SEPTEMBER 8, 2011

Issued For:
 SEPTEMBER 8, 2011

Revisions:

Reproduction or reuse of this document without the expressed written consent of Mitchell & Associates is prohibited.

Title:
 SITE DETAILS

Scale:
 AS SHOWN



Sheet No.:

8