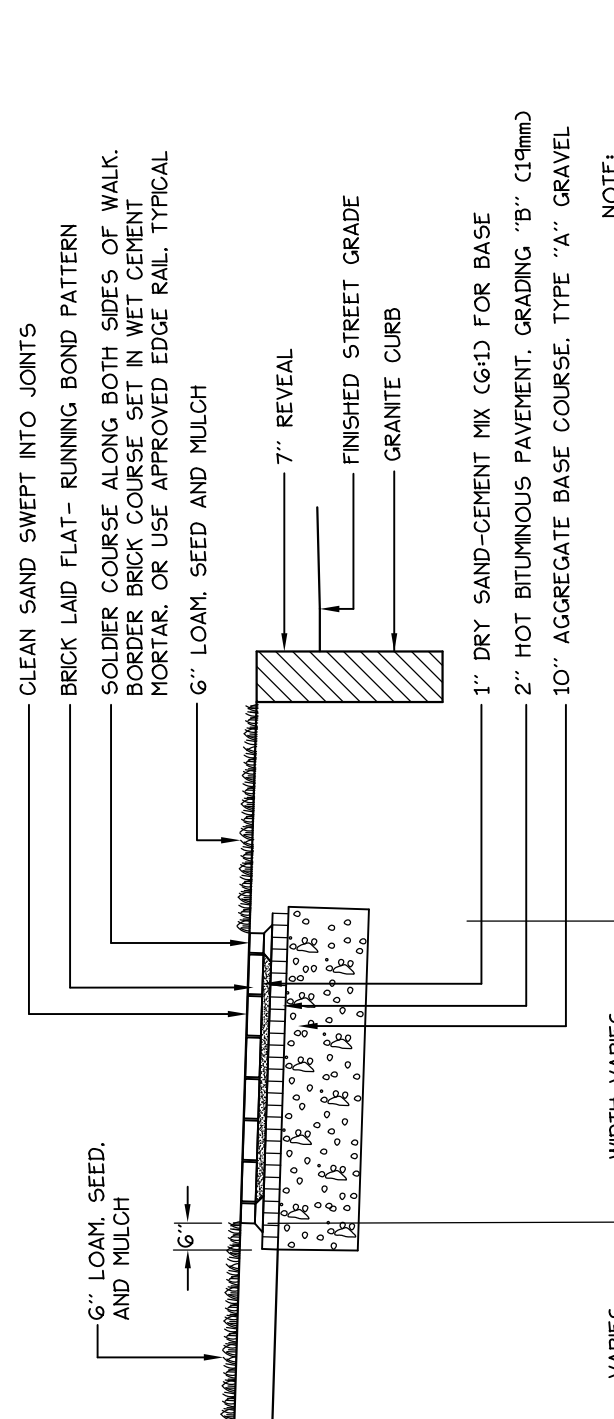


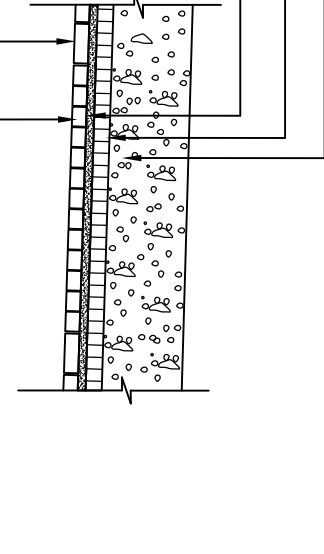
1 BITUMINOUS PAVEMENT - GARAGE
NOT TO SCALE

BRICKS TO BE USED:
NEW CONSTRUCTION:
4"x8" FINE HALL PATHWAY PAVEMENT BRICK, MFG. BY FINE HALL BRICK CO., MADISON, NORTH CAROLINA, LACHANCE ITEM #F53623, FINE HALL PATHWAY PAVEMENT BRICK.
REPAIR/MAINTENANCE TO EXISTING BRICK SIDEWALKS:
VERMONT PAVEMENT, SUPPLIED BY GAGNE AND SONS, SPECIFICATION NUMBER "VERMONT BACKER BRICK" - ITEM #1859



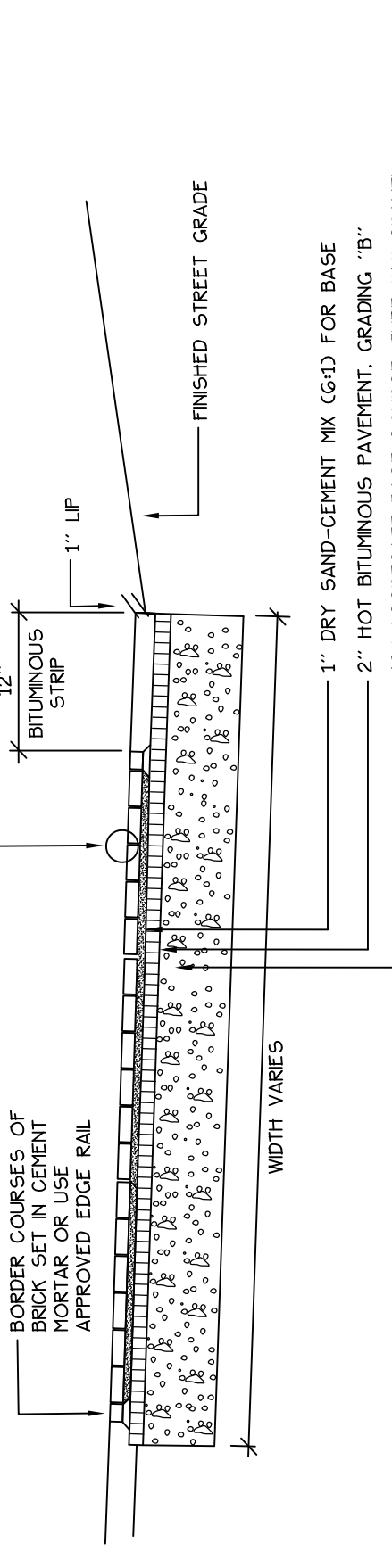
2 BRICK SIDEWALK WITH BITUMINOUS BASE AND GRANITE CURB
NOT TO SCALE

BRICK SOLIDER COURSE EMERGING 2"x4" CORNER FIELD BORDER BRICK COURSE SET IN WET CEMENT MORTAR, OR USE APPROVED EDGE RAIL TYPICAL

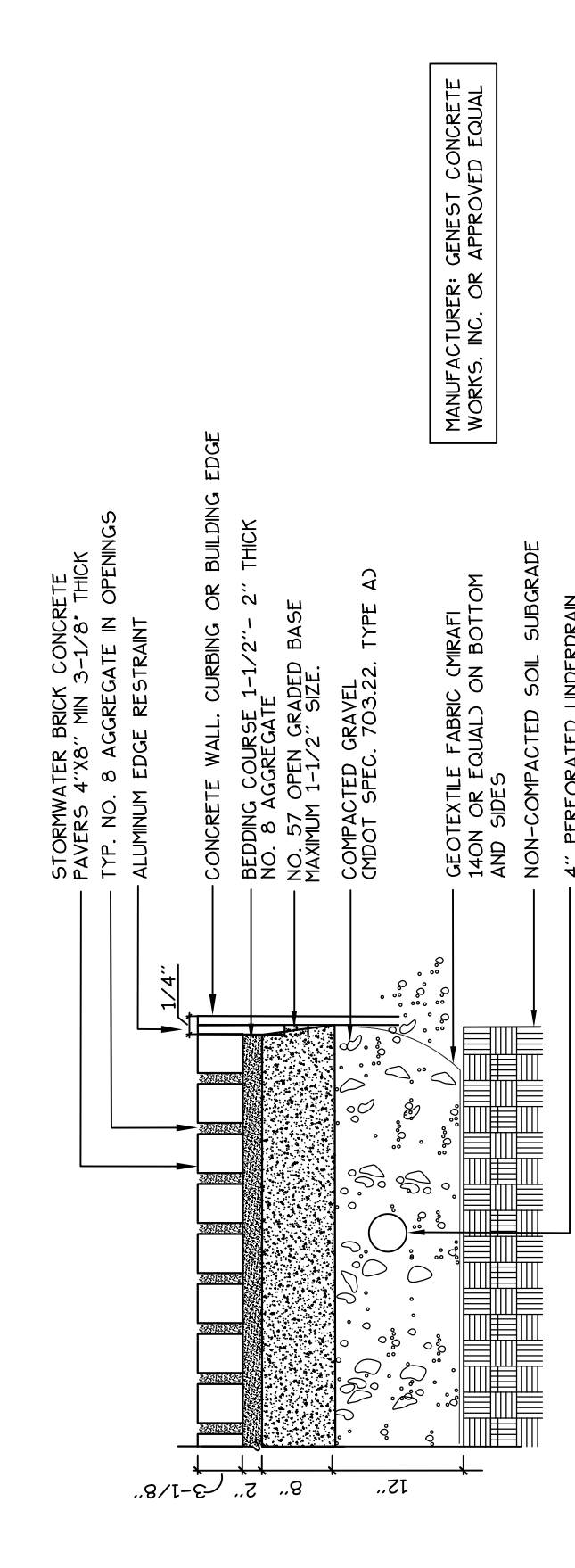


3 SIDEWALK RAMP DETECTABLE WARNING AREA
NOT TO SCALE

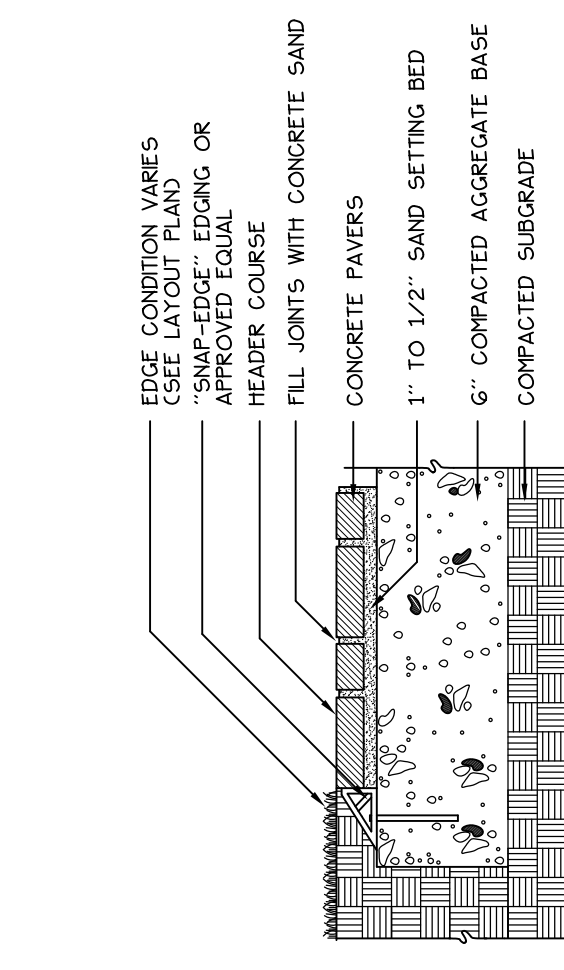
BRICKS TO BE USED:
NEW CONSTRUCTION:
4"x8" FINE HALL PATHWAY PAVEMENT BRICK, MFG. BY FINE HALL BRICK CO., MADISON, NORTH CAROLINA, LACHANCE ITEM #F53623, FINE HALL PATHWAY PAVEMENT BRICK.
REPAIR/MAINTENANCE TO EXISTING BRICK SIDEWALKS:
VERMONT PAVEMENT, SUPPLIED BY GAGNE AND SONS, SPECIFICATION NUMBER "VERMONT BACKER BRICK" - ITEM #1859



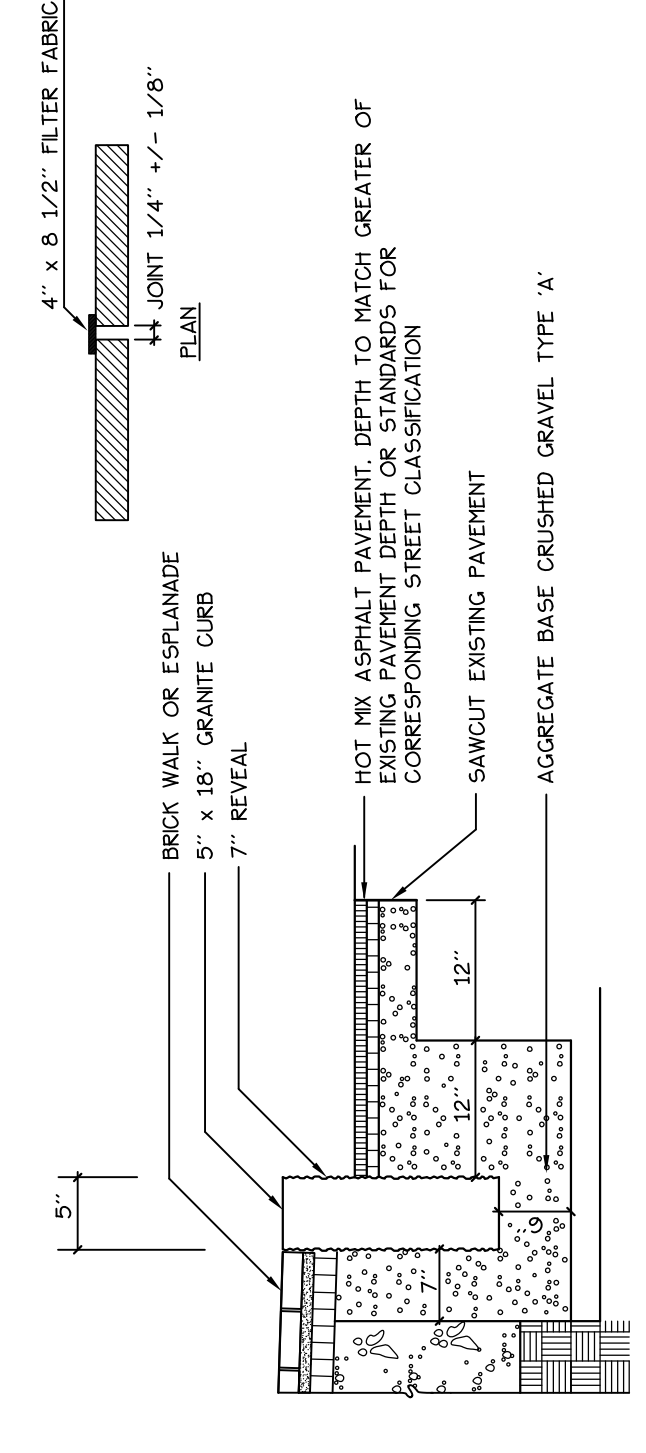
4 BRICK DRIVEWAY APRON WITH BITUMINOUS BASE
NOT TO SCALE



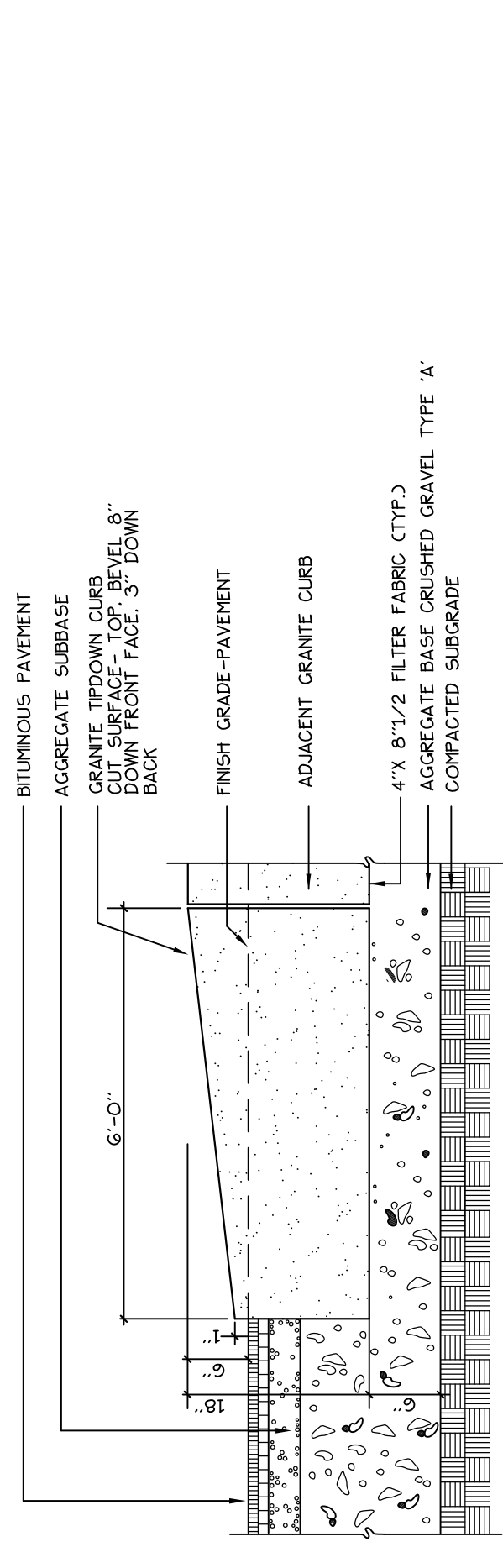
5 PERMEABLE INTERLOCKING CONCRETE PAVERS
NOT TO SCALE



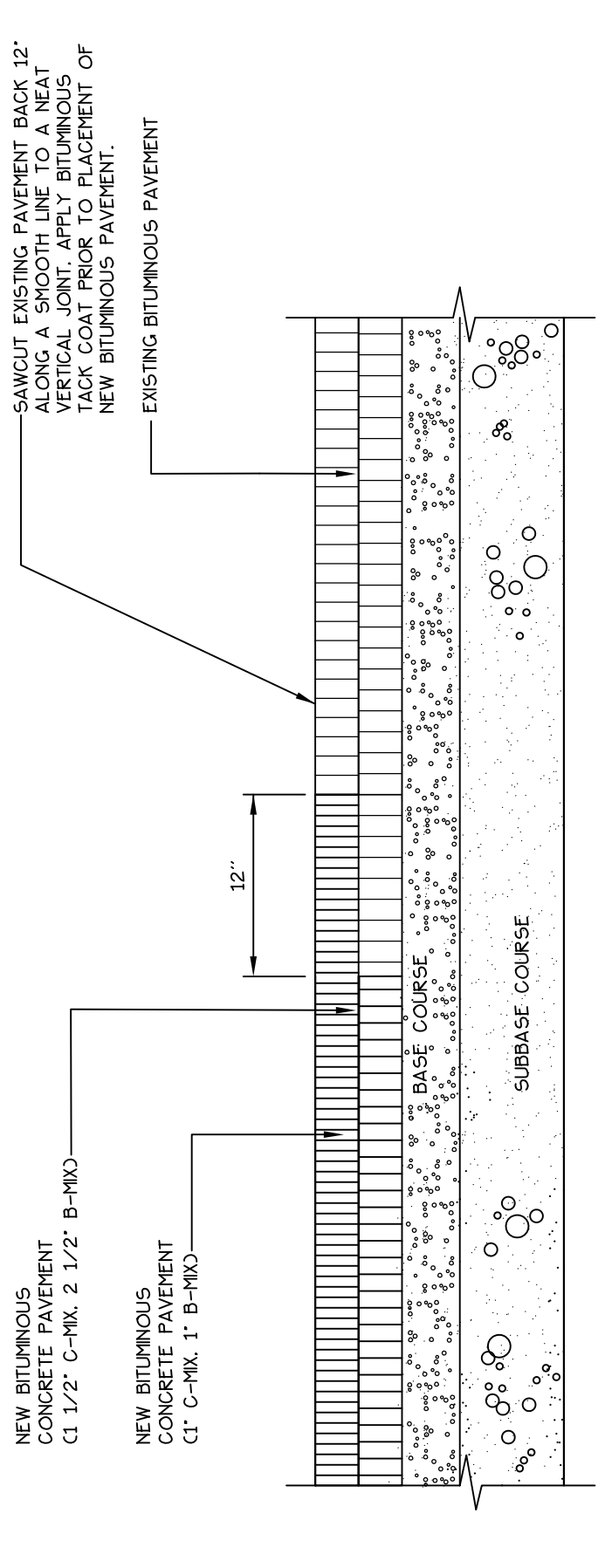
6 CONCRETE PAVERS
NOT TO SCALE



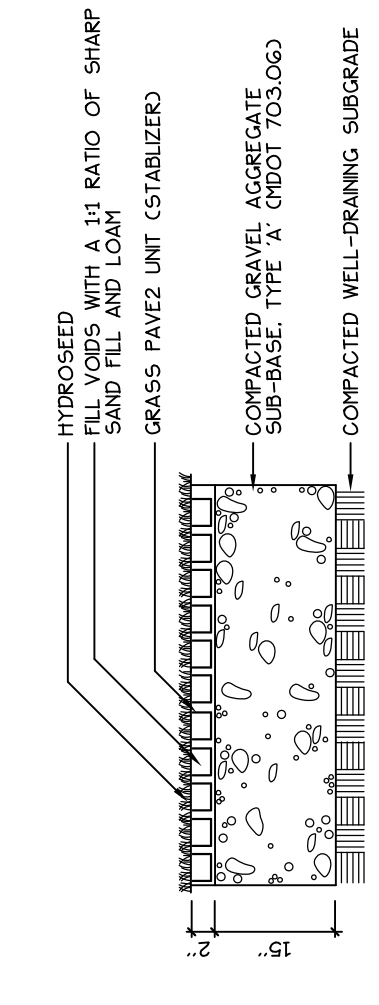
7 VERTICAL GRANITE CURB
NOT TO SCALE



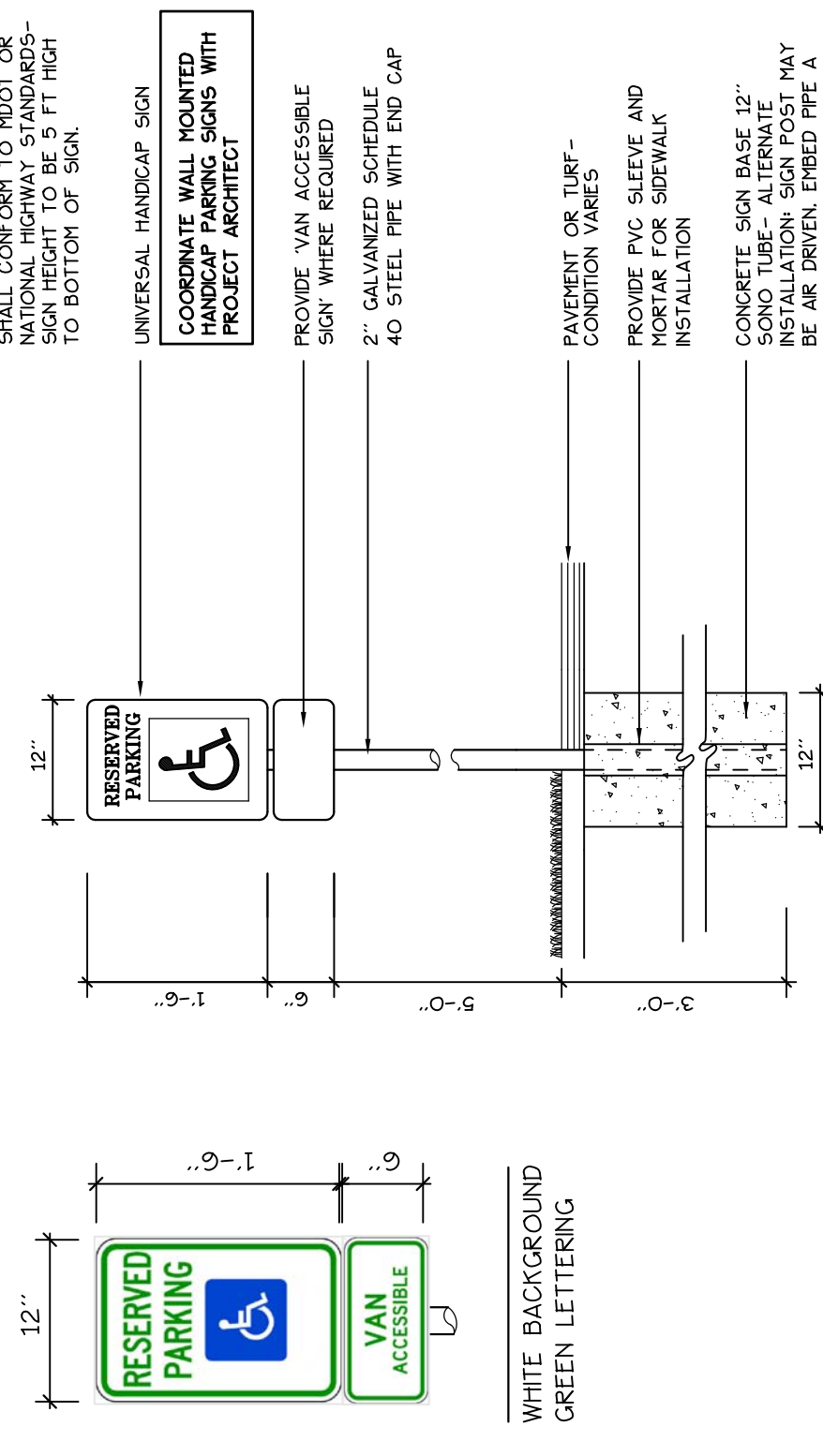
8 GRANITE TIP-DOWN CURB
NOT TO SCALE



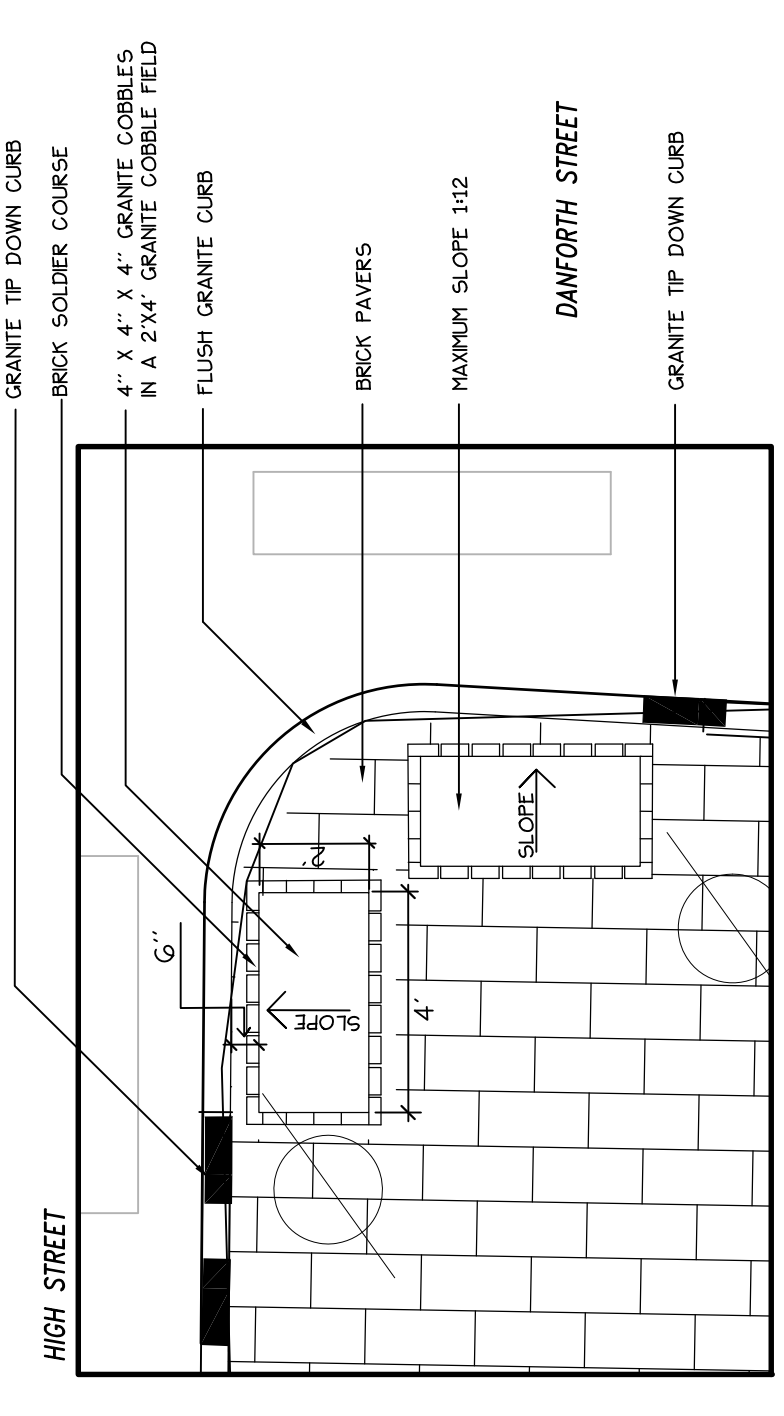
9 PAVEMENT SAWCUT DETAIL
NOT TO SCALE



10 STABILIZED GRASSSED EGRESS LANE
NOT TO SCALE



11 HANDICAP PARKING SIGNAGE OR REGULATORY SIGNS
NOT TO SCALE



12 HANDICAP RAMP AT HIGH STREET AND DANFORTH STREET
NOT TO SCALE

Prepared For:
**Children's Hospital
Housing Partners, LP**
309 Cumberland Avenue
Portland, Maine 04101

Prepared By:
MITCHELL & ASSOCIATES
Landscape Architects
70 Center Street
Portland, Maine 04101
Tel: (207) 774-4427

ELM TERRACE
68 High Street
Portland, Maine

Date: SEPTEMBER 8, 2011
Issued For: SEPTEMBER 8, 2011
Revisions:
Title: SITE DETAILS

Scale: AS SHOWN
Sheet No.: **6**

