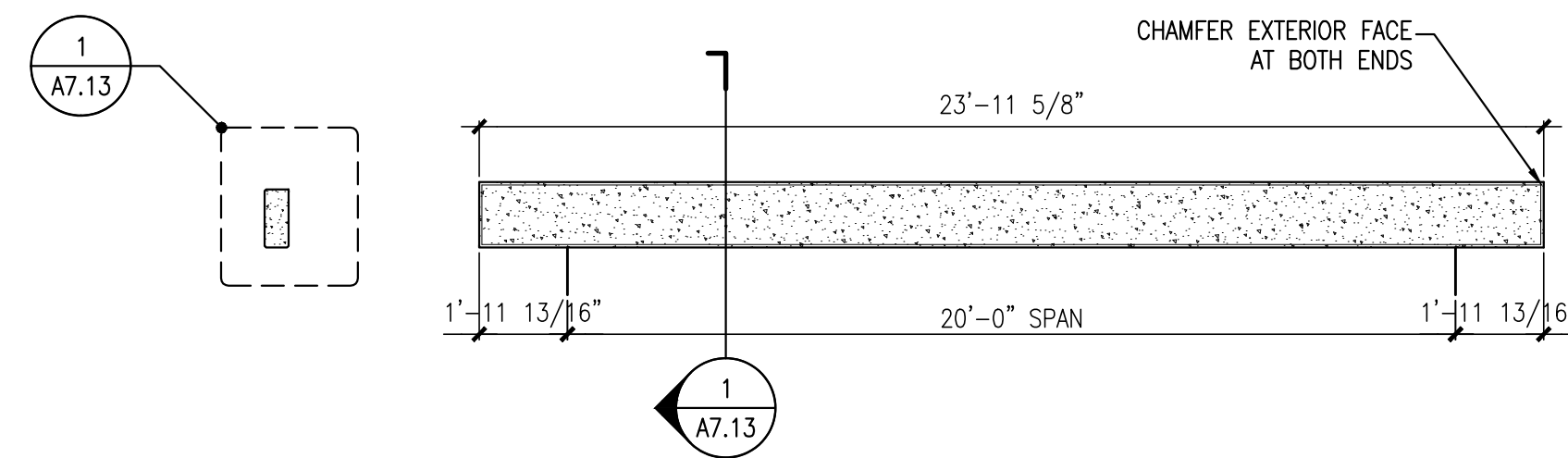


1 PRECAST OVERHEAD DOOR LINTEL SECTION

REFERENCED FROM: 54.2 / A7.13

SCALE: 1/2"=1'-0"



2 PRECAST OVERHEAD DOOR LINTEL ELEVATION

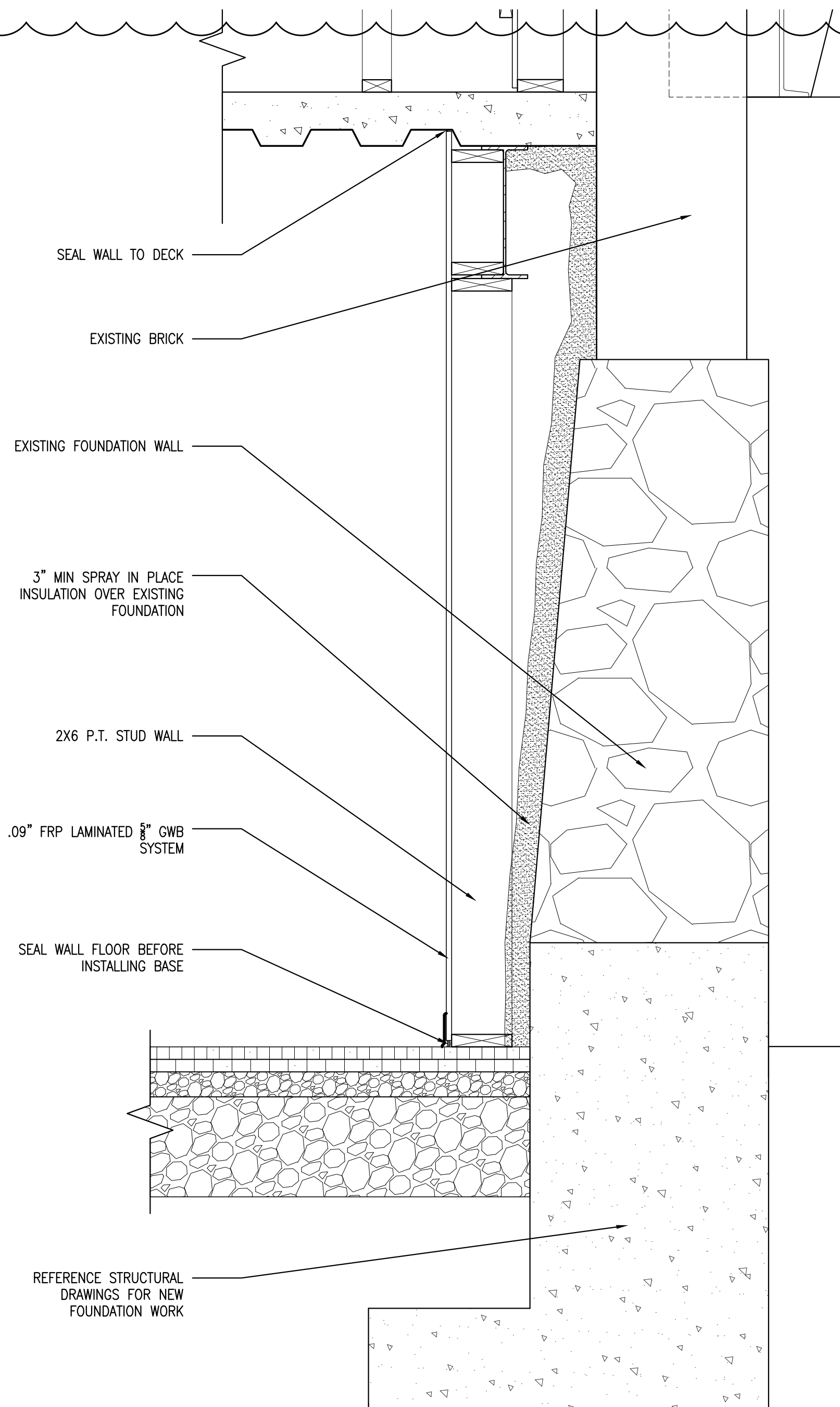
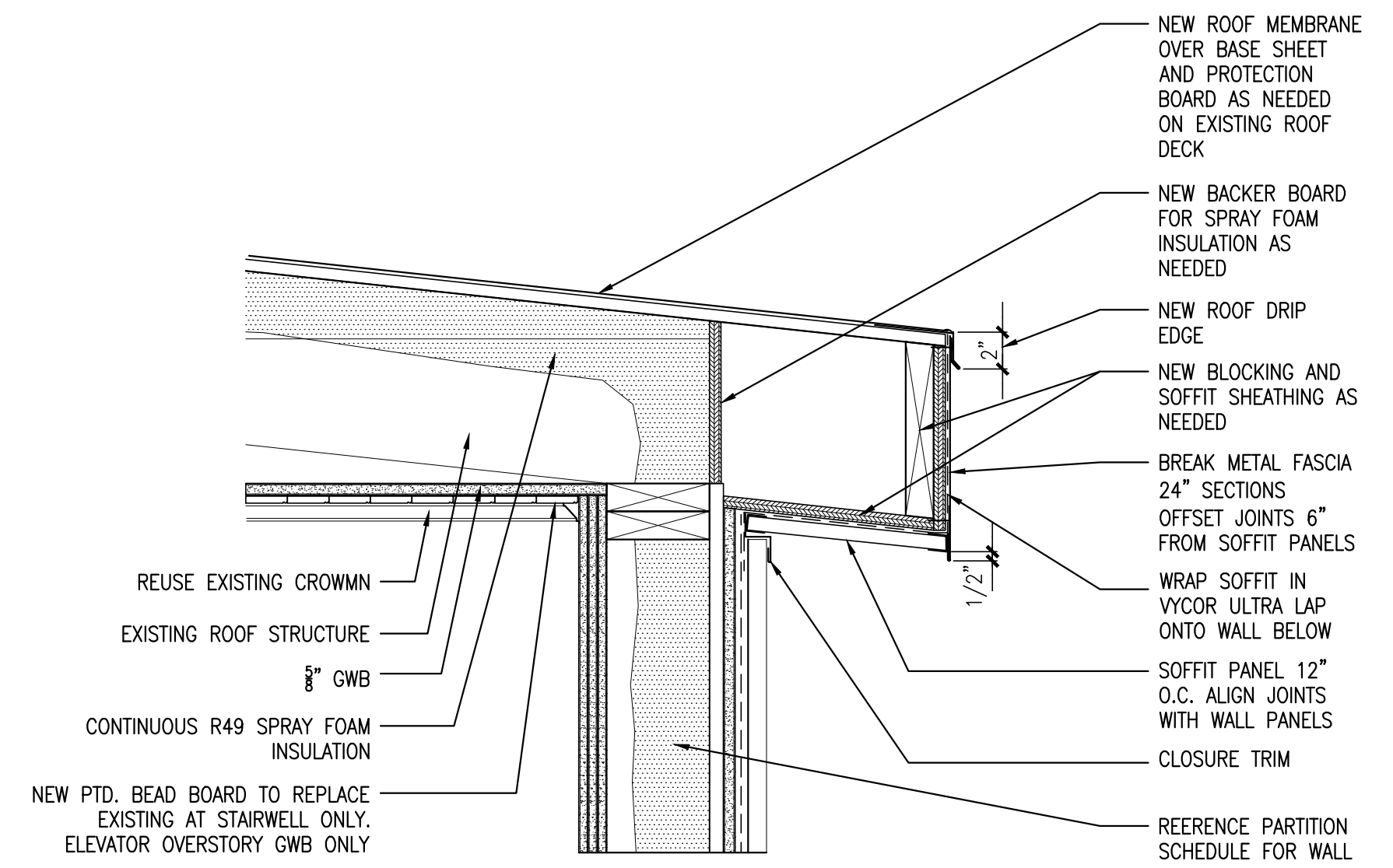
REFERENCED FROM: 5 / A7.13

SCALE: 1/4"=1'-0"

3 PENTHOUSE ROOF/SOFFIT TYPICAL DETAIL

REFERENCED FROM:

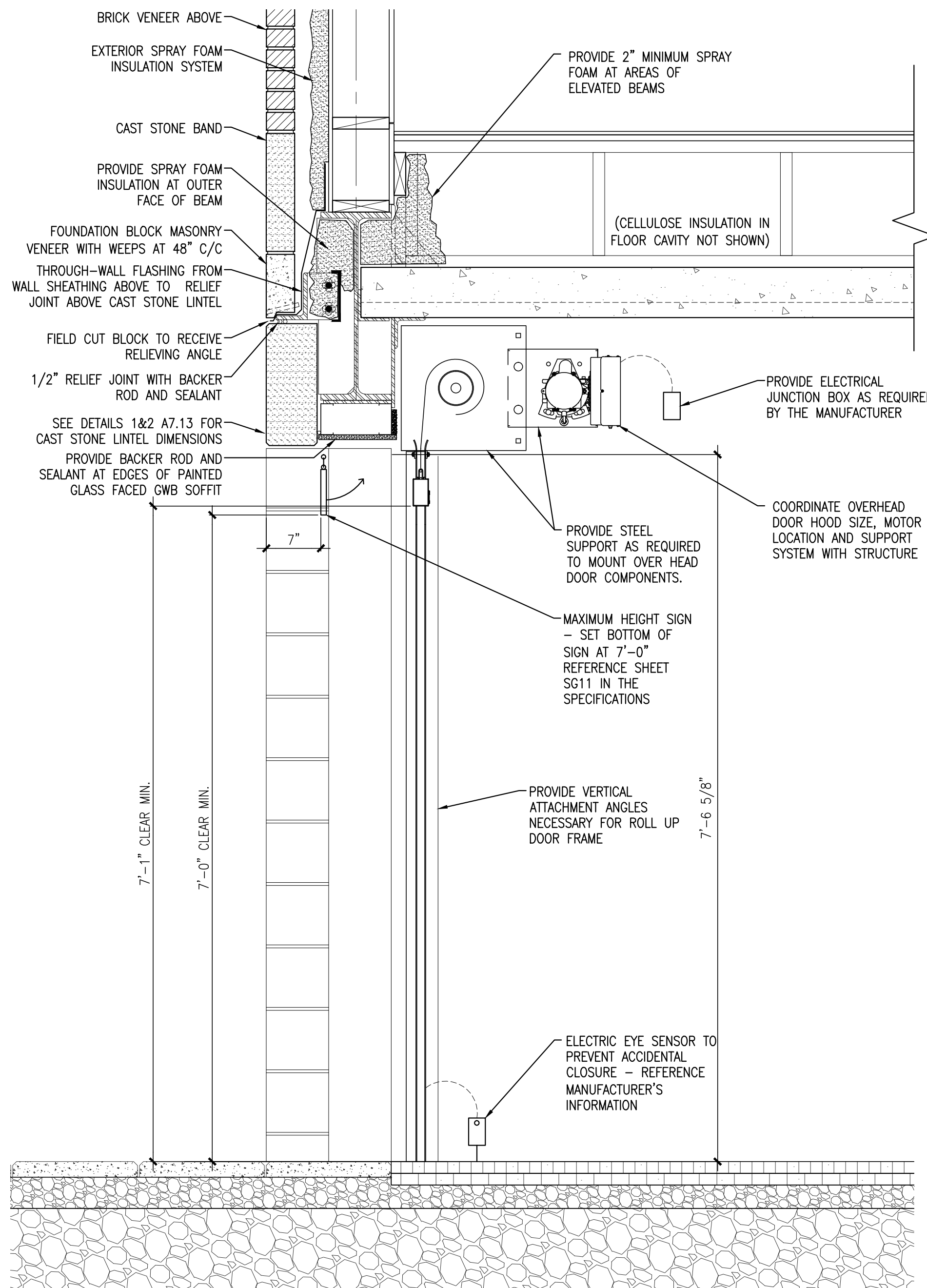
SCALE: 1/2"=1'-0"



4 GARAGE INTERIOR WALL

REFERENCED FROM:

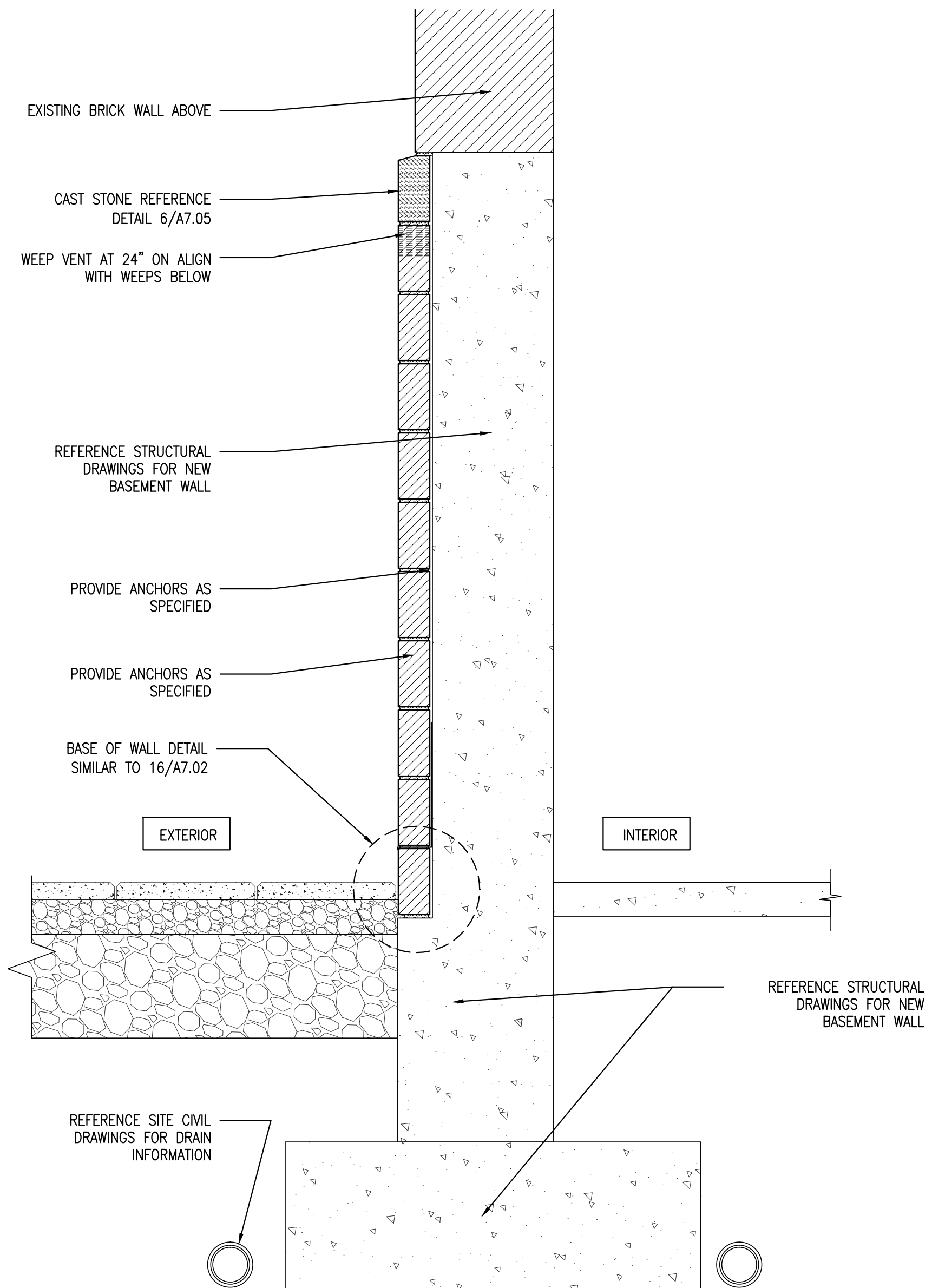
SCALE: 1"=1'-0"



5 GARAGE ROLL UP DOOR

REFERENCED FROM:

SCALE: 1"=1'-0"



6 NEW BASEMENT WALL AT SOUTH SIDE

REFERENCED FROM:

SCALE: 1"=1'-0"

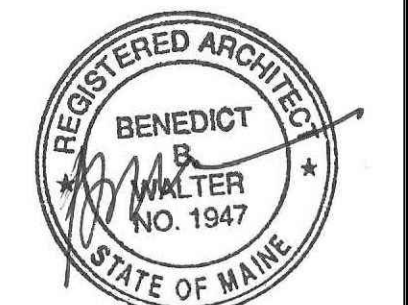


CWS Architects

Architecture
Space Planning
Value Design

434 Cumberland Avenue
Portland, ME 04101
Phone: (207)774-4441
Fax: (207)774-4016

www.CWSarch.com



Owner:

**Children's
Hospital Housing
Partners, LP**

309 Cumberland Ave.
Suite 203
Portland, Maine 04101

CONSTRUCTION MANAGER:

**WRIGHT-RYAN
CONSTRUCTION**

10 DANFORTH STREET
PORTLAND, ME 04101
TEL: (201) 773-3625

**ELM
TERRACE**

68 HIGH STREET
PORTLAND, MAINE

Project No: 09428

Drawing Title:
MISC DETAILS

Scale:

Date: ISSUED SEPTEMBER 8, 2011

Revisions:

1 ADDENDUM 03 (9-28-11)

Drawing Number:

A7.13

9/28/2011 10:40 AM