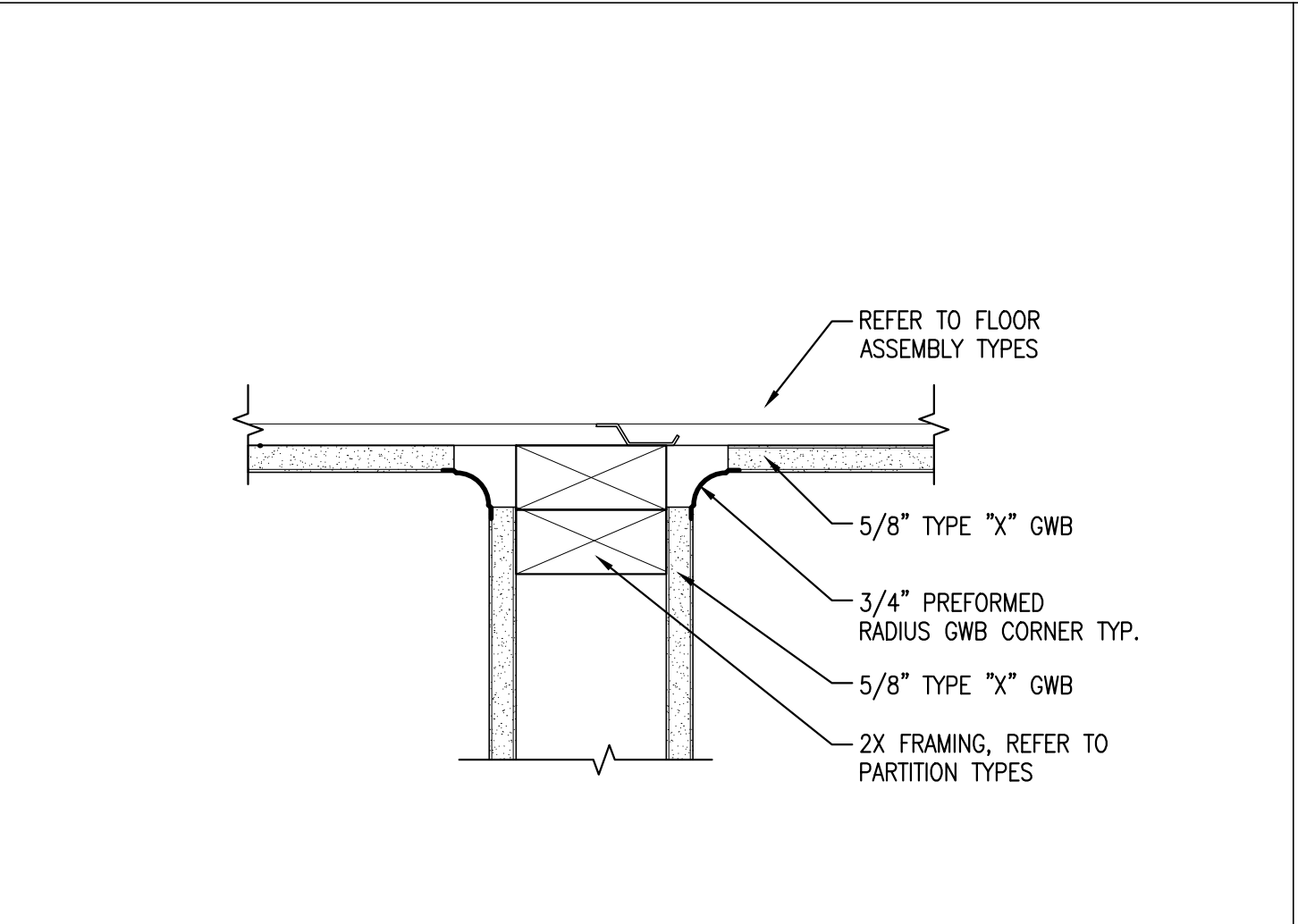
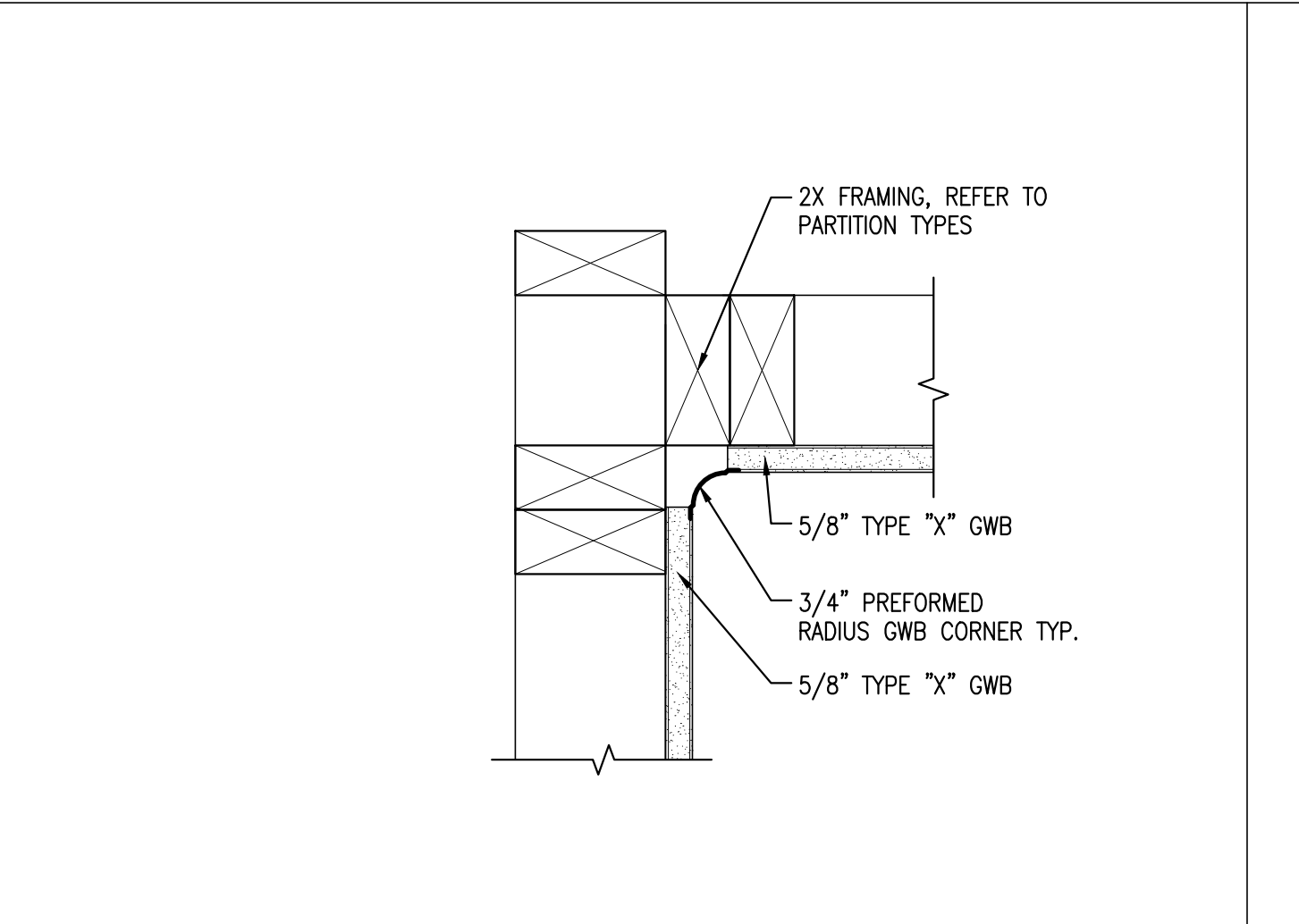


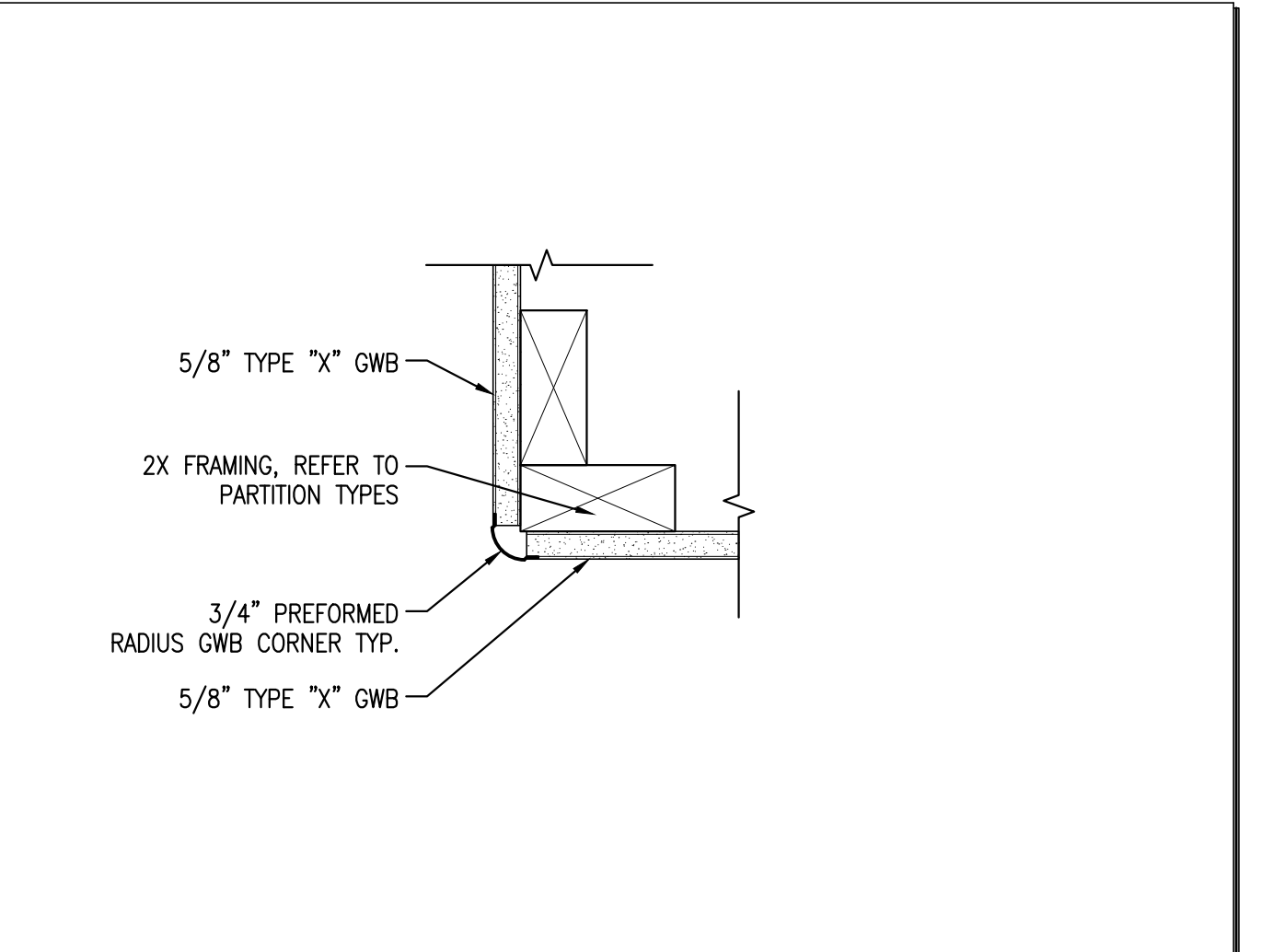
1 TERRAZZO TO WOOD BASE TRANSITION
 REFERENCED FROM: SCALE: 3" = 1'-0"



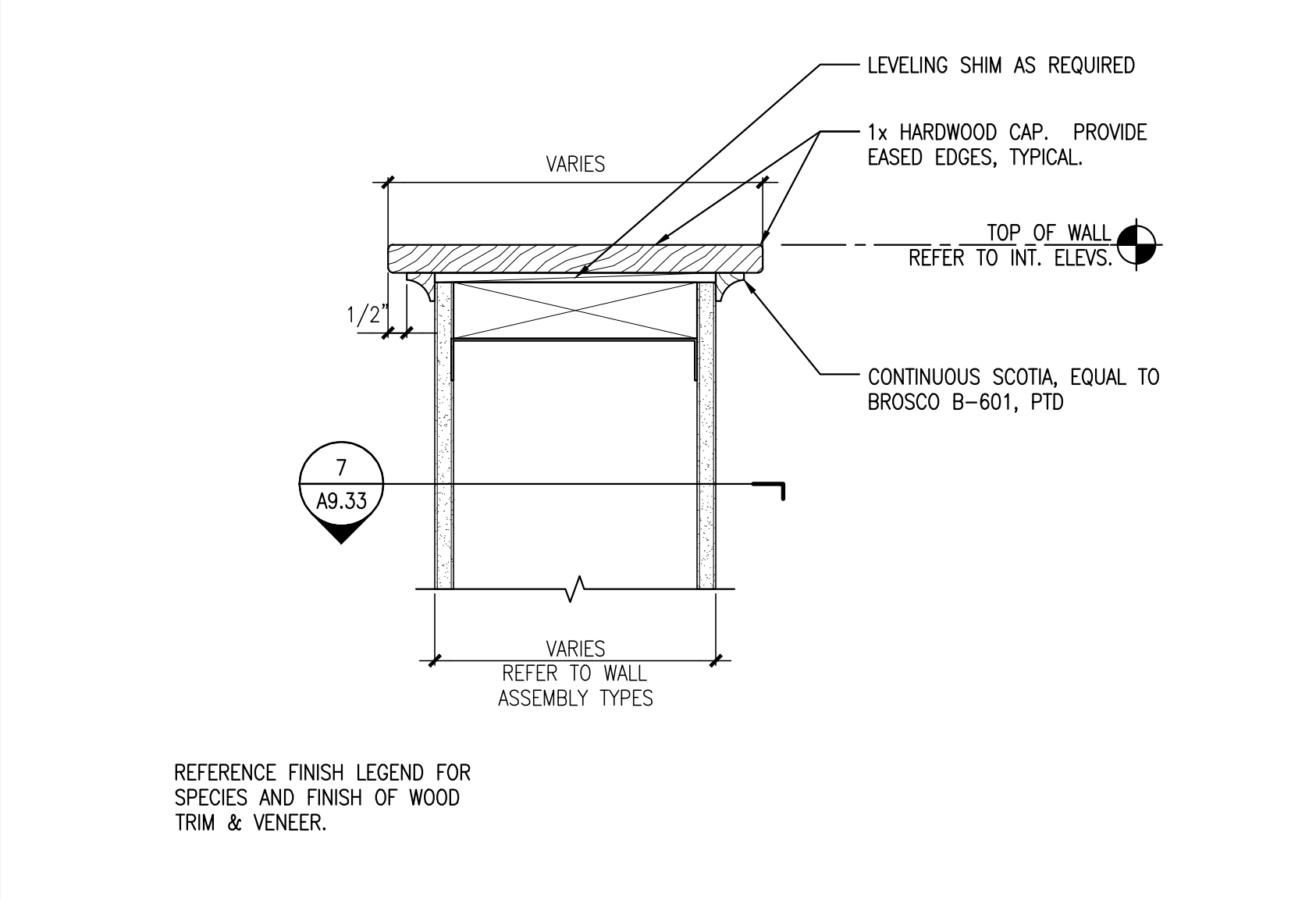
2 RADIUS INSIDE CORNER @ CEILING/ WALL
 REFERENCED FROM: SCALE: 3" = 1'-0"



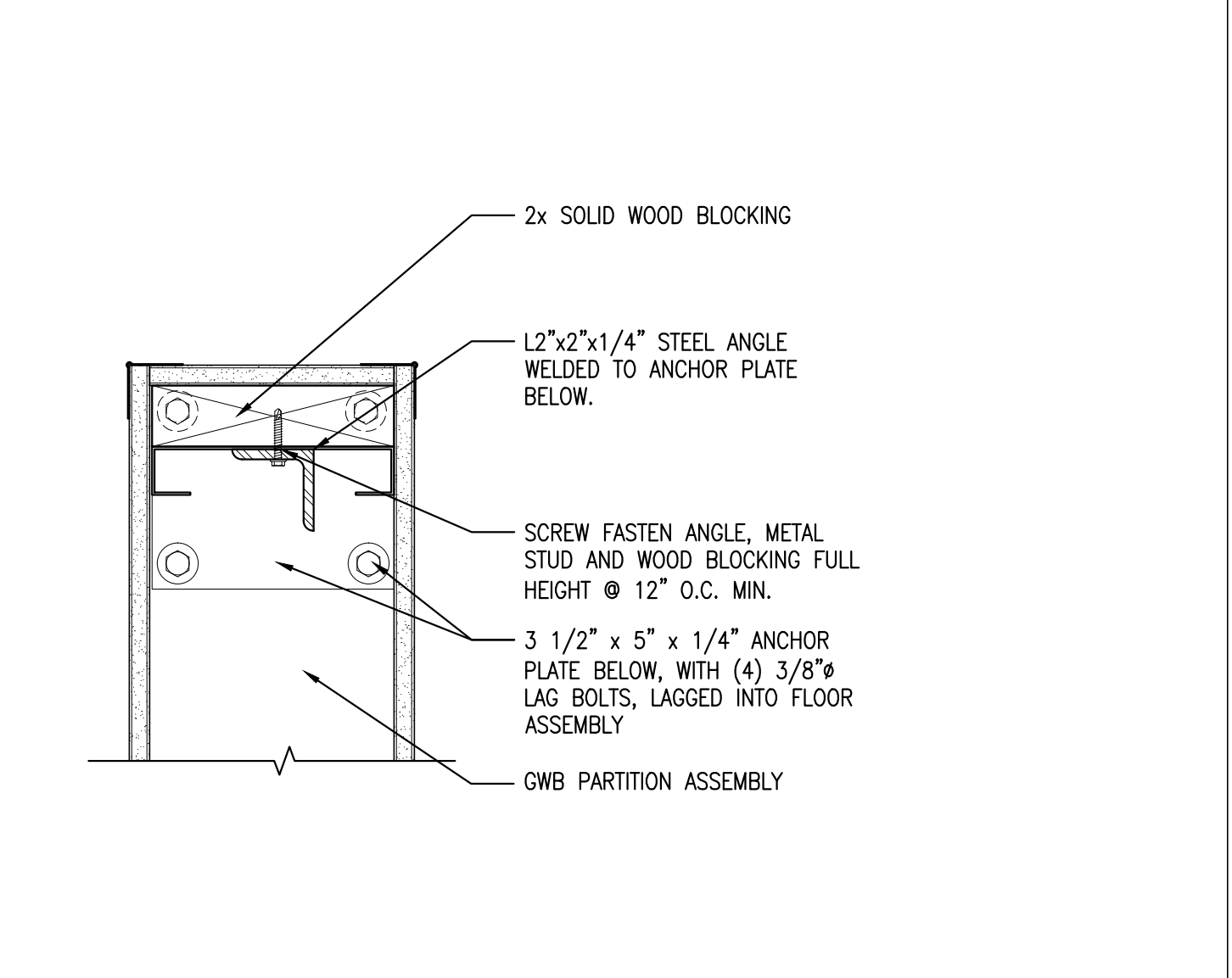
3 RADIUS INSIDE CORNER @ WALL/ WALL
 REFERENCED FROM: SCALE: 3" = 1'-0"



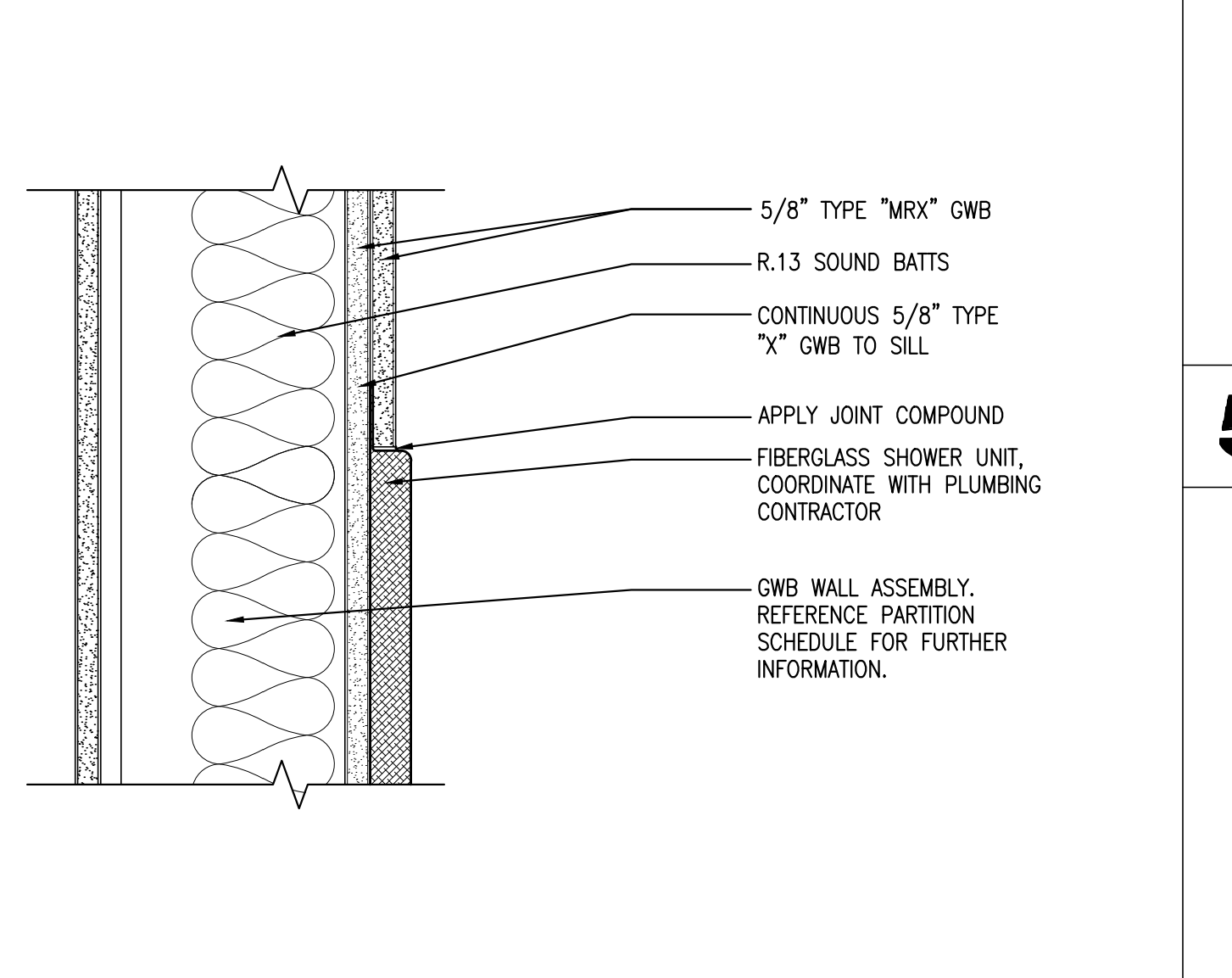
4 RADIUS OUTSIDE CORNER @ WALL/ WALL
 REFERENCED FROM: SCALE: 3" = 1'-0"



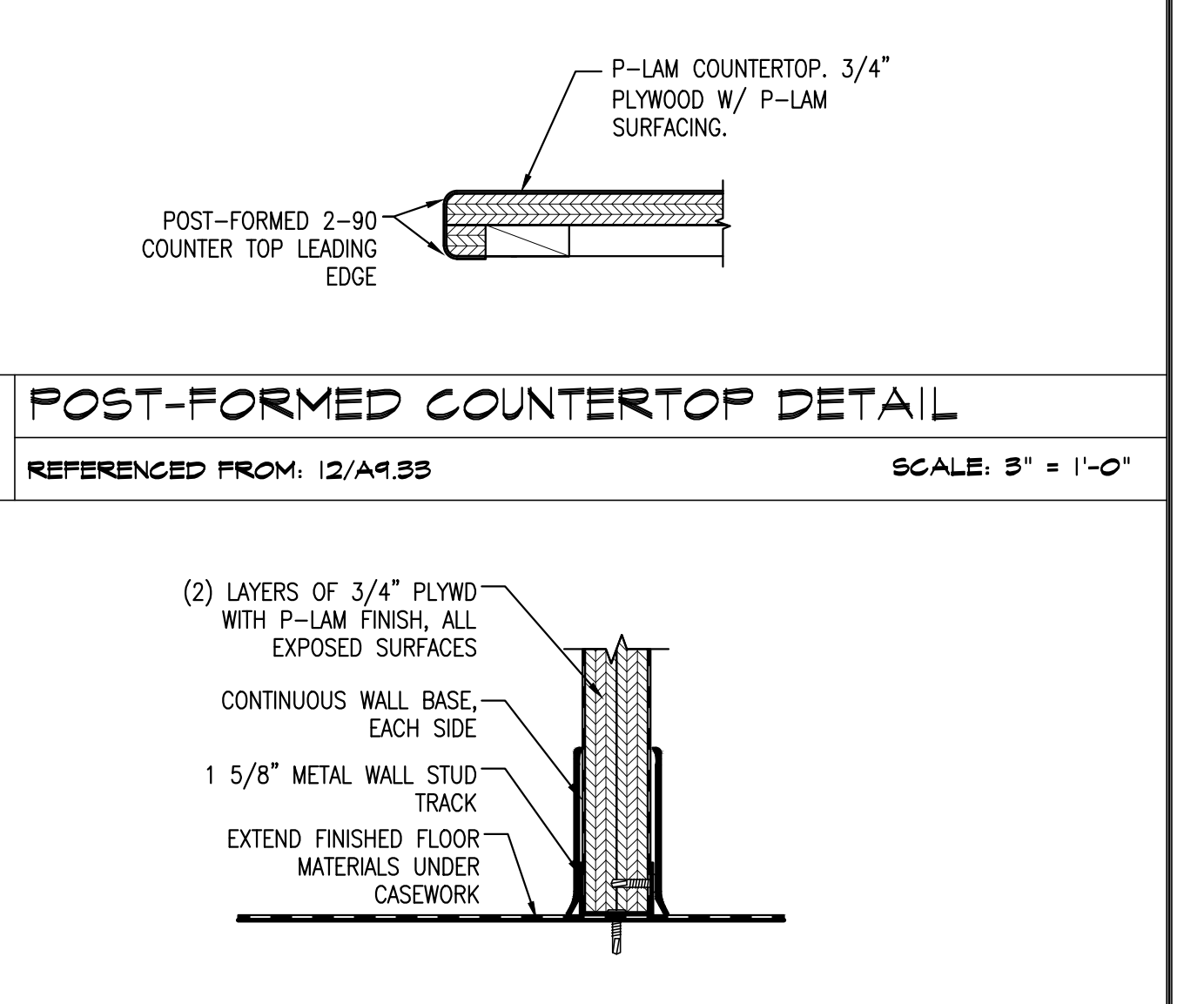
5 POST-FORMED COUNTERTOP DETAIL
 REFERENCED FROM: 12/A9.33 SCALE: 3" = 1'-0"



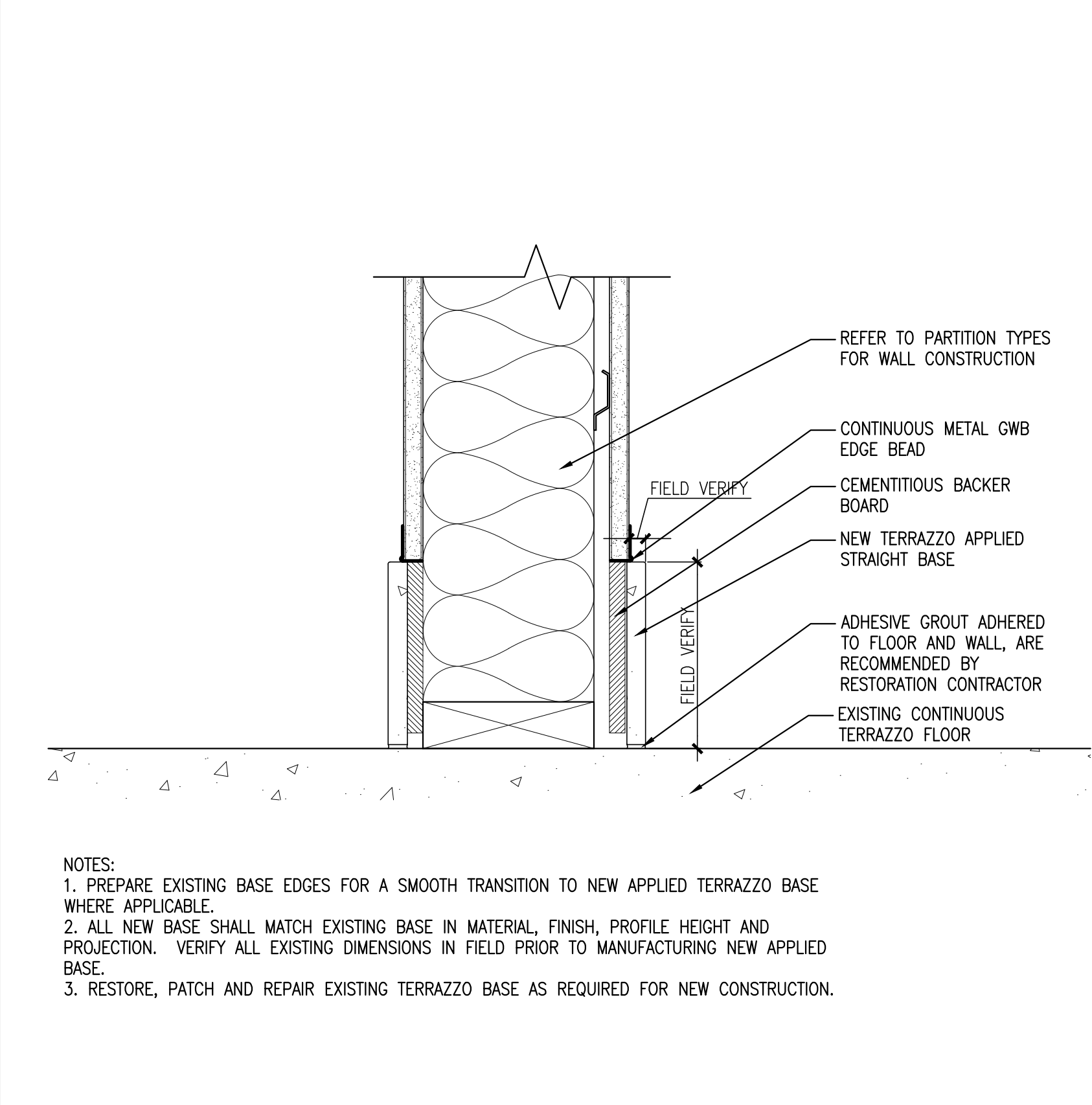
6 HALF WALL CAP DETAIL
 REFERENCED FROM: SCALE: 3" = 1'-0"



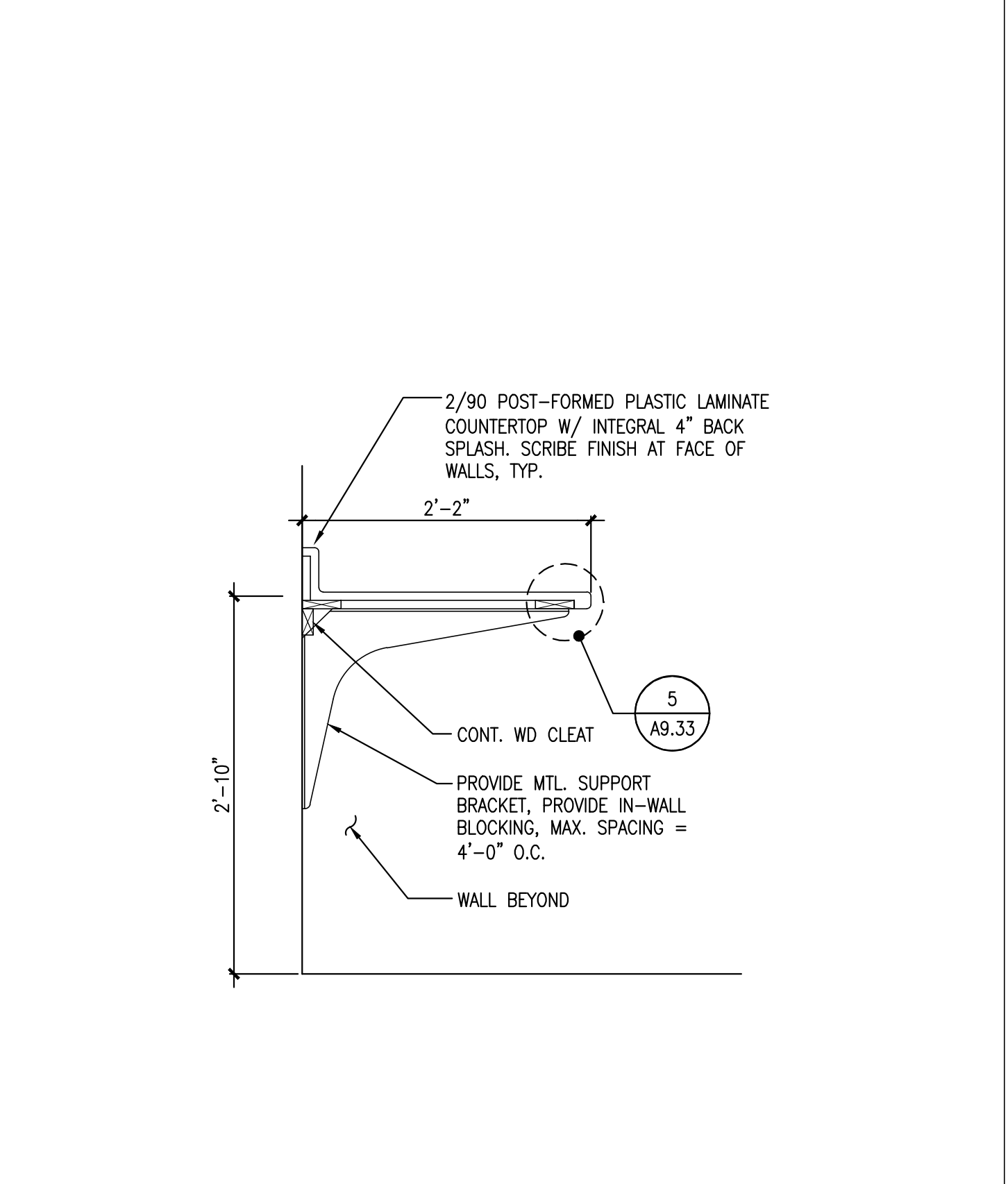
7 HALF WALL PLAN DETAIL
 REFERENCED FROM: SCALE: 3" = 1'-0"



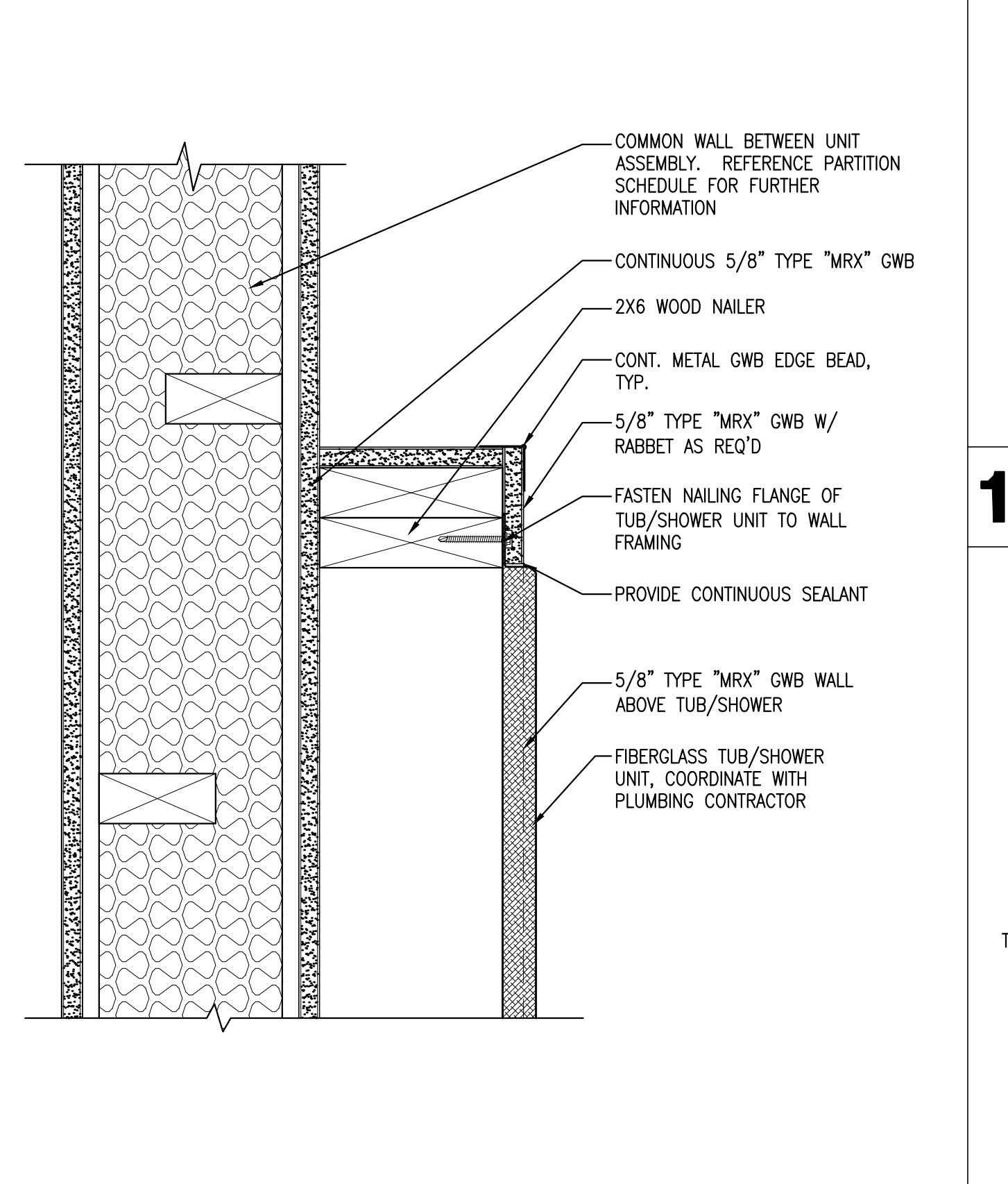
8 SECTION DETAIL @ TUB/SHOWER PARTITION
 REFERENCED FROM: SCALE: 3" = 1'-0"



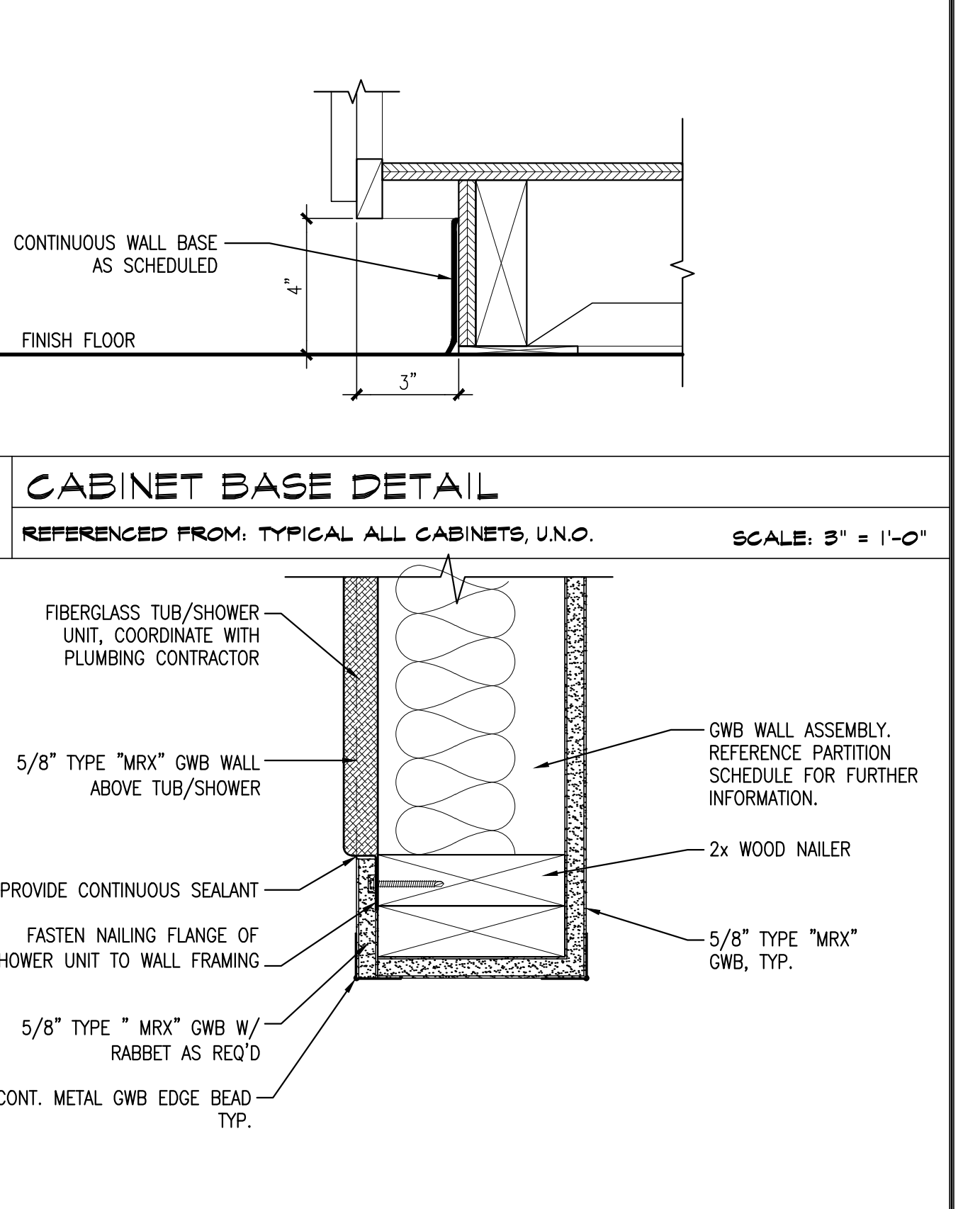
9 CABINET END PANEL BASE DETAIL
 REFERENCED FROM: SCALE: 3" = 1'-0"



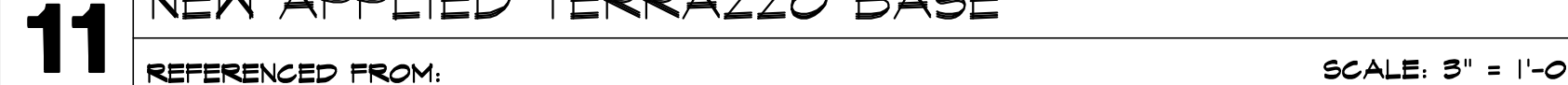
10 CABINET BASE DETAIL
 REFERENCED FROM: TYPICAL ALL CABINETS, U.N.O. SCALE: 3" = 1'-0"



11 NEW APPLIED TERRAZZO BASE
 REFERENCED FROM: SCALE: 3" = 1'-0"



12 DETAIL AT COUNTERTOP
 REFERENCED FROM: SCALE: 1" = 1'-0"

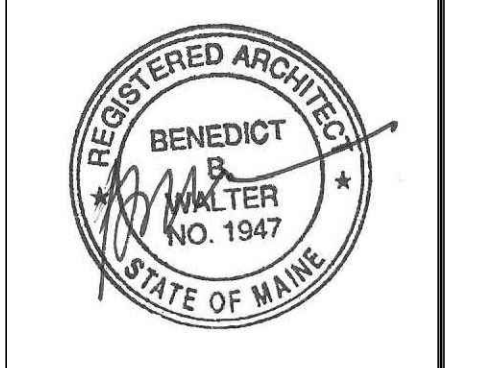


13 PLAN DETAIL AT TUB/SHOWER AT COMMON WALL BETWEEN UNITS
 REFERENCED FROM: SCALE: 3" = 1'-0"



14 PLAN DETAIL @ TUB/SHOWER PARTITION
 REFERENCED FROM: TYPICAL ALL UNIT BATHROOMS SCALE: 3" = 1'-0"

CWS Architects
 Architecture
 Space Planning
 Value Design
 434 Cumberland Avenue
 Portland, ME 04101
 Phone: (207)774-4441
 Fax: (207)774-4016
 www.CWSarch.com



Owner:
Children's Hospital Housing Partners, LP
 309 Cumberland Ave.
 Suite 203
 Portland, Maine 04101
 CONSTRUCTION MANAGER:
WRIGHT-RYAN CONSTRUCTION
 10 DANFORTH STREET
 PORTLAND, ME 04101
 TEL: (207) 773-3625

ELM TERRACE
 68 HIGH STREET
 PORTLAND, MAINE

Project No: 09428
 Drawing Title:
INTERIOR DETAILS
 Scale: AS NOTED
 Date: ISSUED SEPTEMBER 8, 2011
 Revisions:
 MAINE HOUSING CONCEPT SUBMISSION 02-01-2011
 HISTORIC PRESERVATION SUBMISSION 03-23-2011
 50% MANHOUSING REVIEW 04-01-2011
 90% MANHOUSING REVIEW 06-03-2011
 NPS SUBMISSION 07-01-2011
 ISSUED SEPTEMBER 8, 2011
 Drawing Number:
A9.33