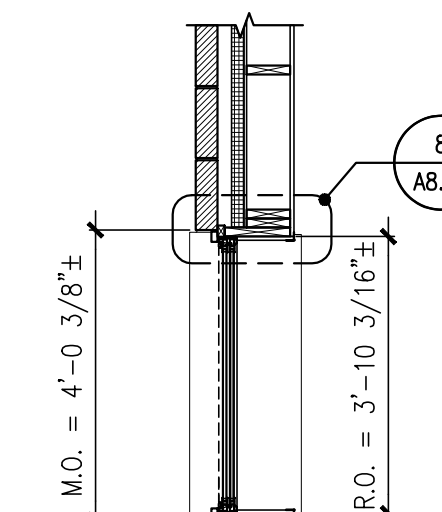
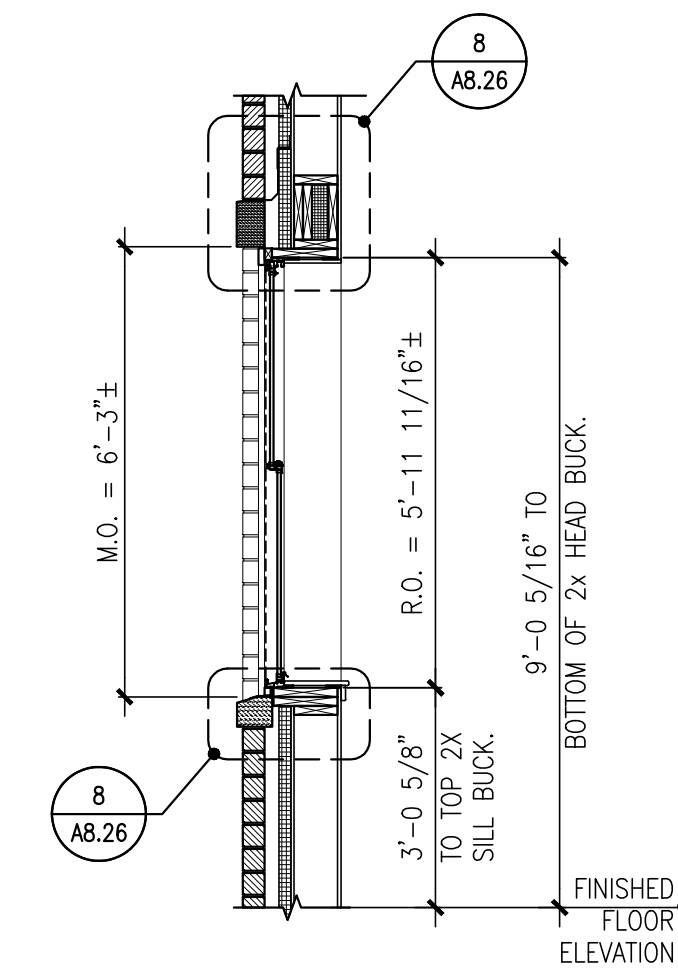
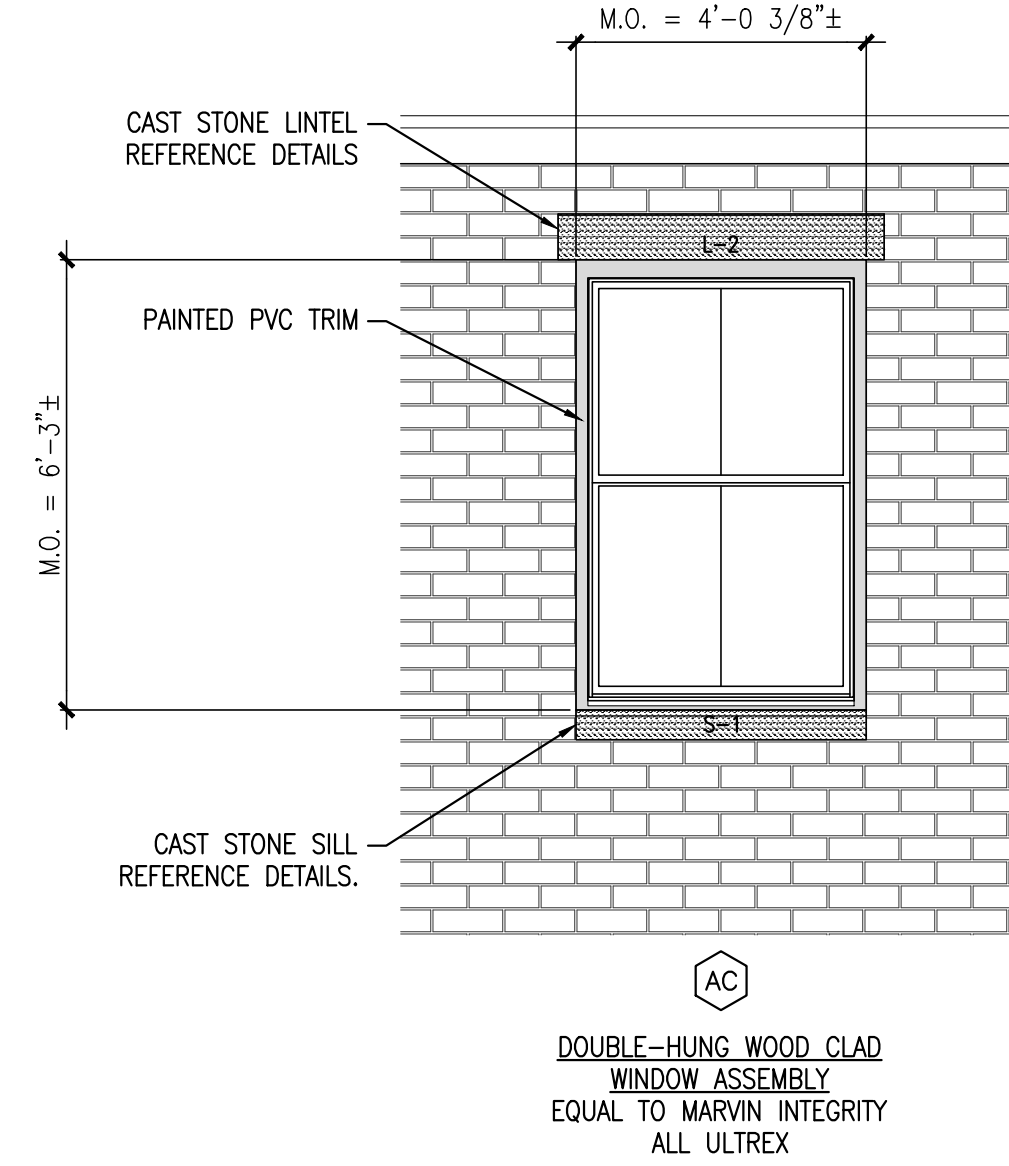


DOUBLE-HUNG WOOD CLAD WINDOW ASSEMBLY EQUAL TO MARVIN INTEGRITY ALL ULTREX



DOUBLE-HUNG WOOD CLAD WINDOW ASSEMBLY EQUAL TO MARVIN INTEGRITY ALL ULTREX

1 ELEVATION & SECTIONS @ NEW CONSTRUCTION WINDOW "F"

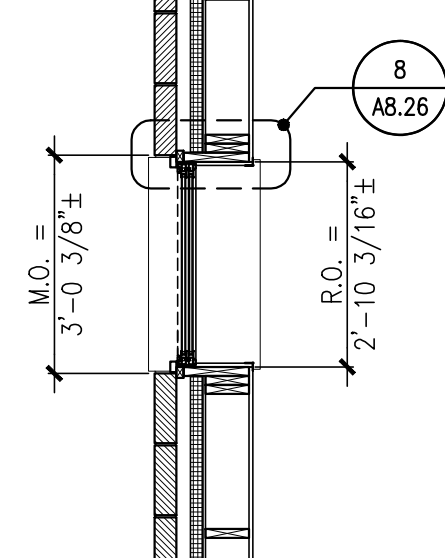
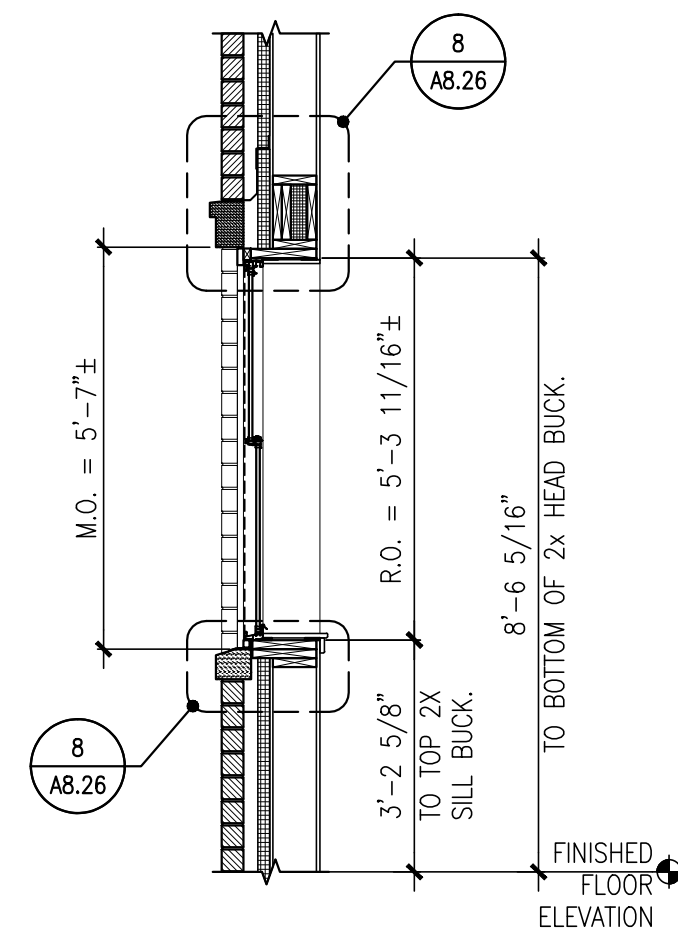
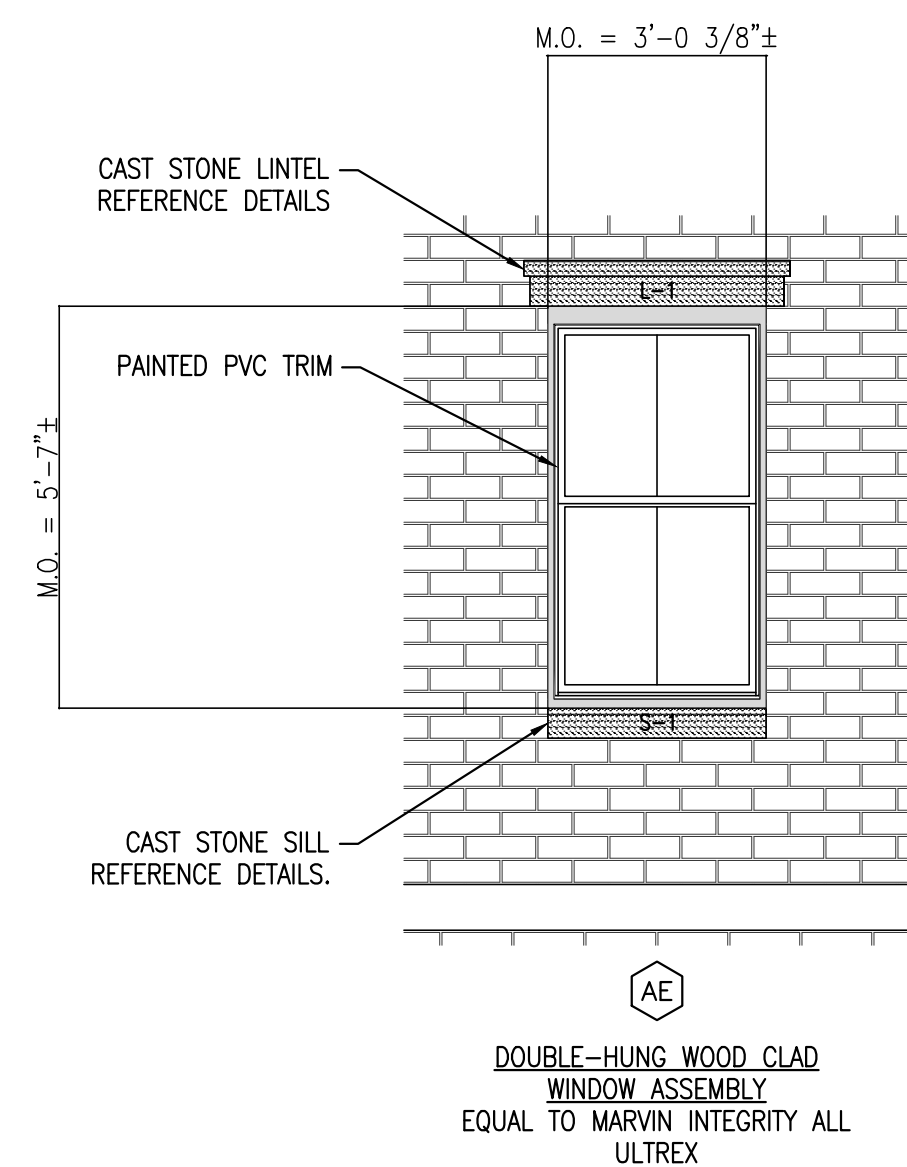
REFERENCED FROM:

SCALE: 3/8" = 1'-0"

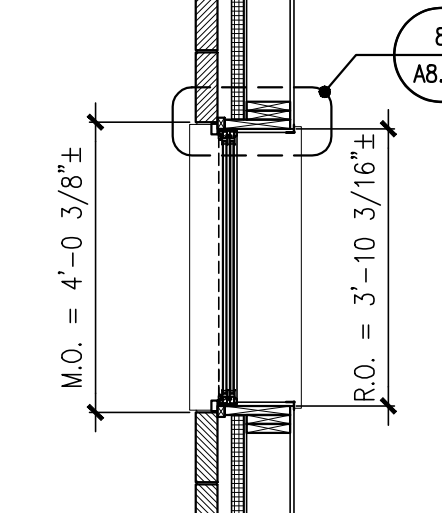
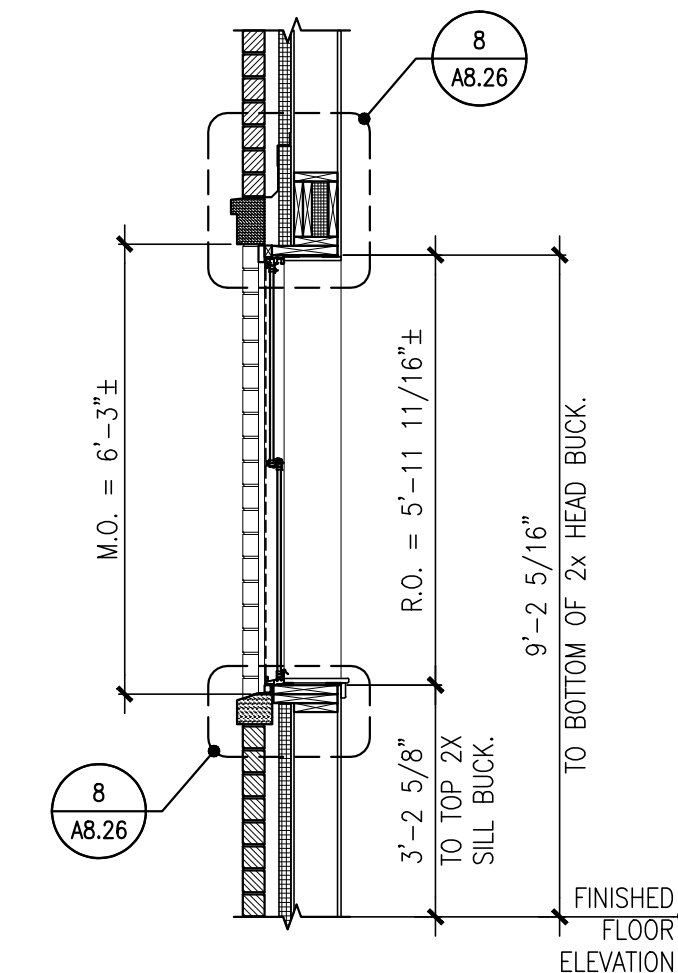
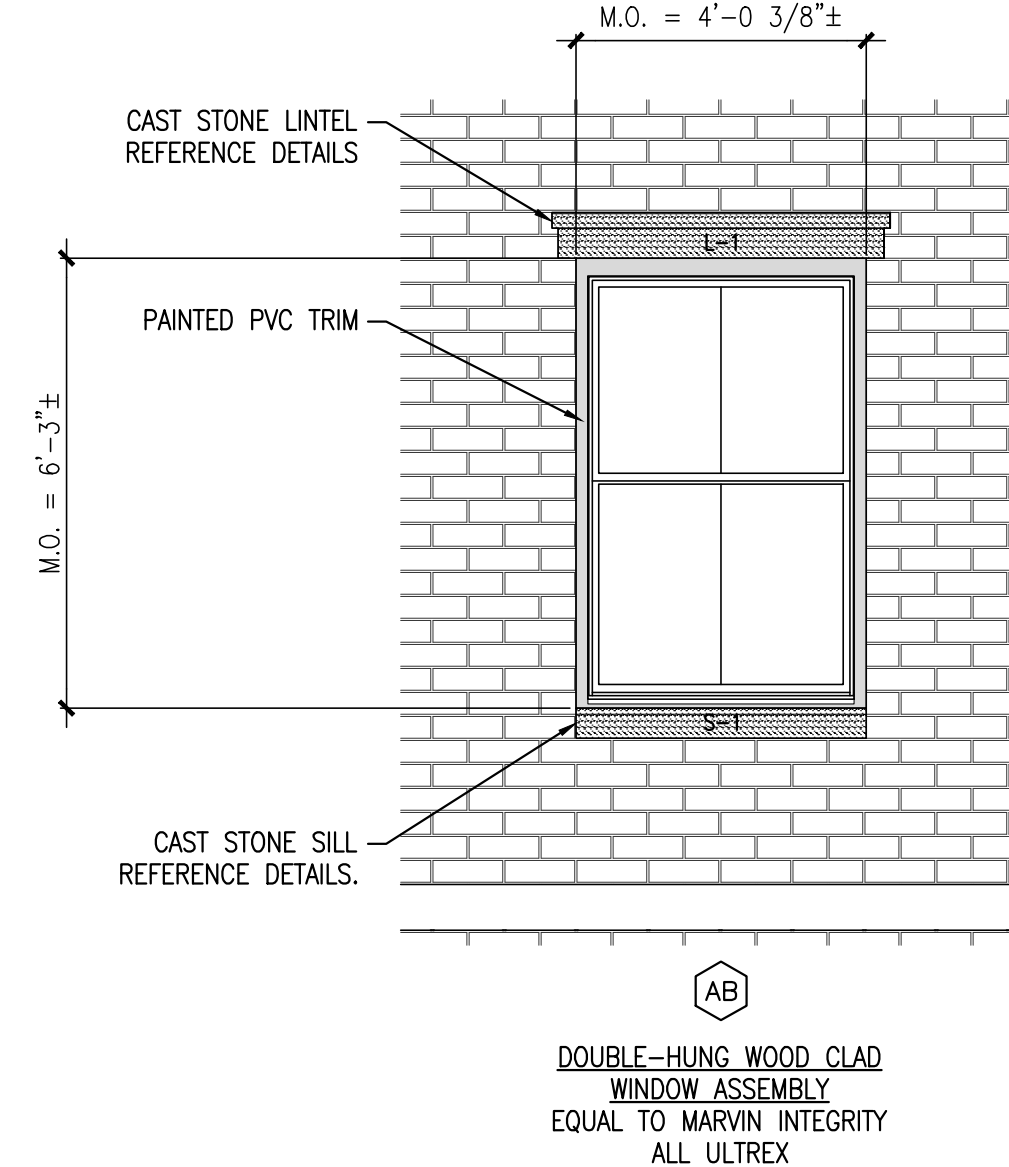
3 ELEVATION & SECTIONS @ NEW CONSTRUCTION WINDOW "C"

REFERENCED FROM:

SCALE: 3/8" = 1'-0"



DOUBLE-HUNG WOOD CLAD WINDOW ASSEMBLY EQUAL TO MARVIN INTEGRITY ALL ULTREX



DOUBLE-HUNG WOOD CLAD WINDOW ASSEMBLY EQUAL TO MARVIN INTEGRITY ALL ULTREX

5 ELEVATION & SECTIONS @ NEW CONSTRUCTION WINDOW "E"

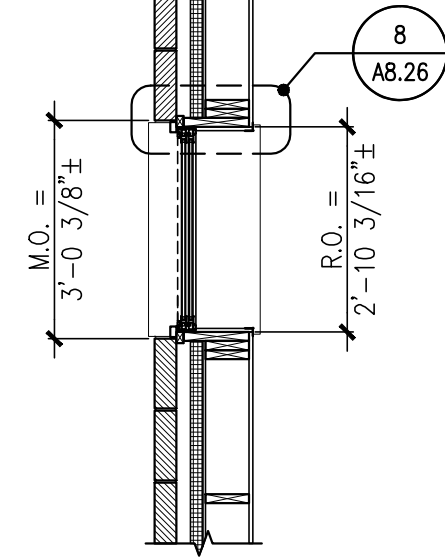
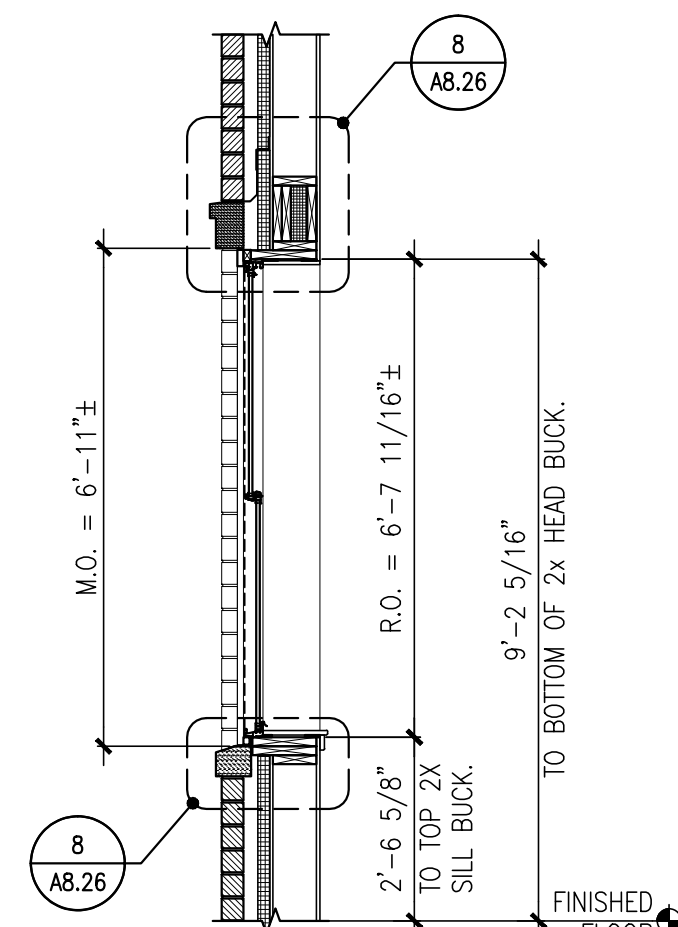
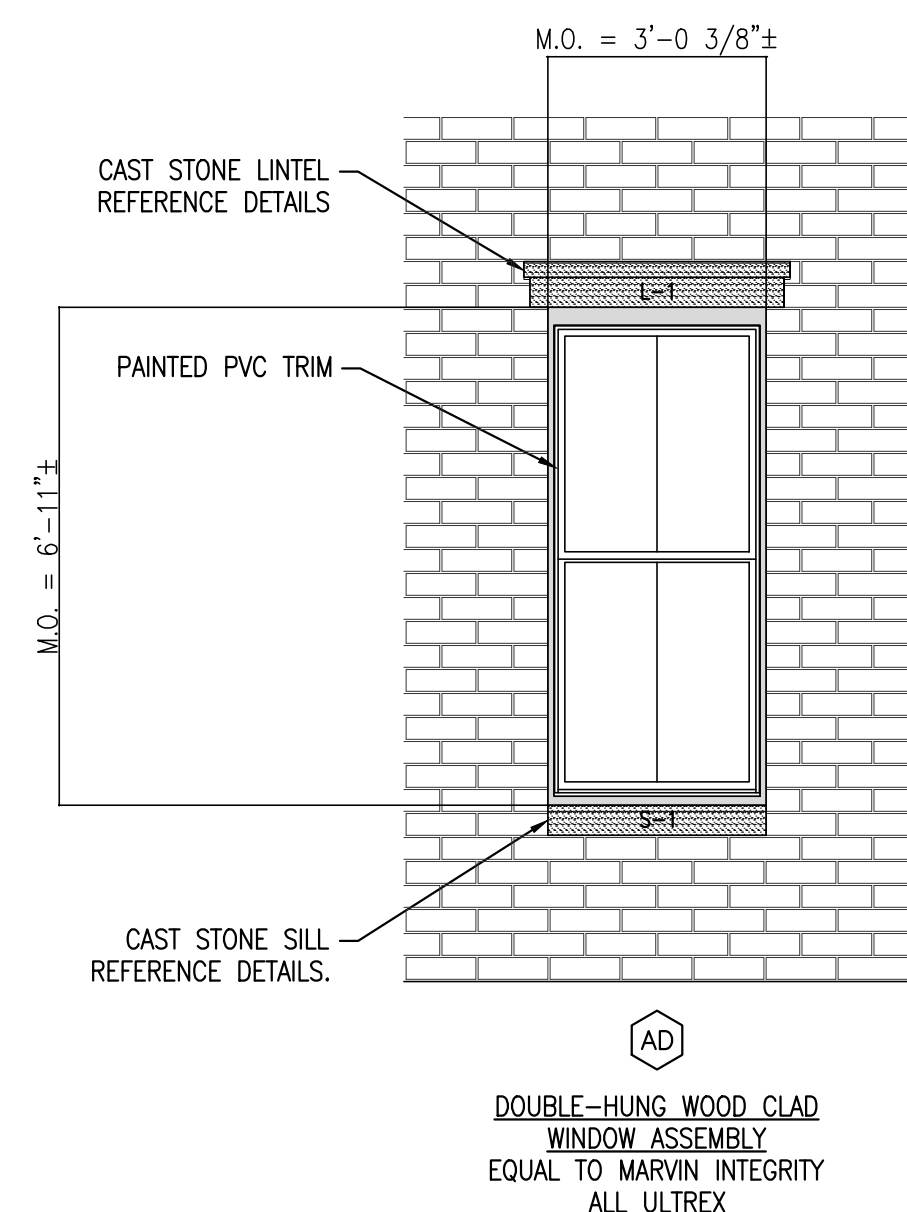
REFERENCED FROM:

SCALE: 3/8" = 1'-0"

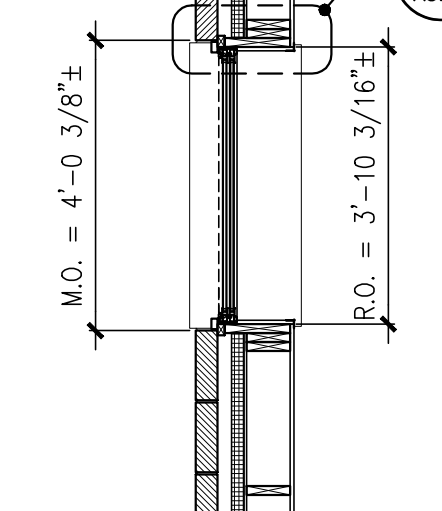
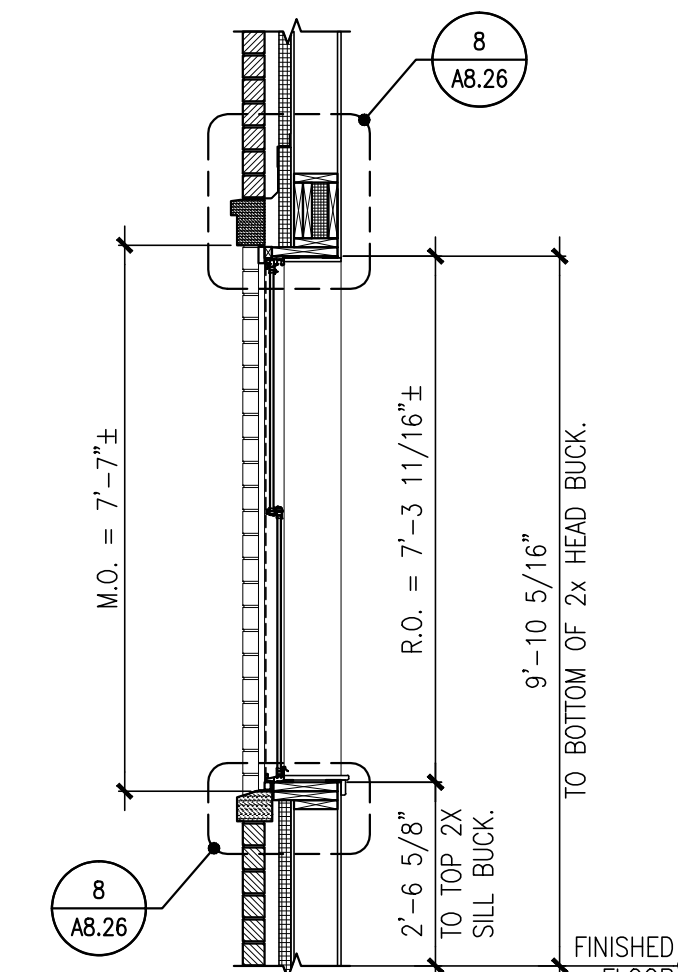
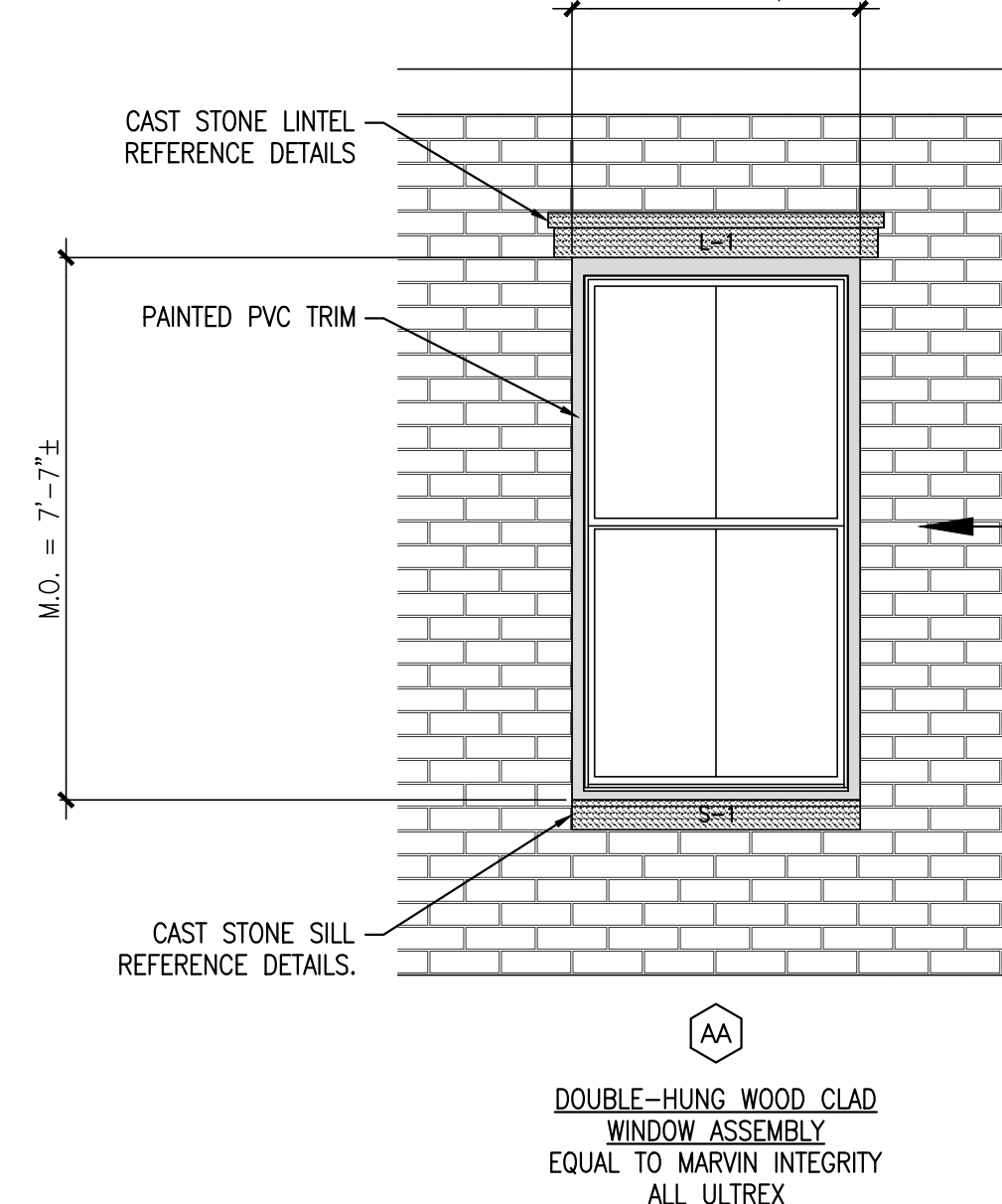
7 ELEVATION & SECTIONS @ NEW CONSTRUCTION WINDOW "B"

REFERENCED FROM:

SCALE: 3/8" = 1'-0"



DOUBLE-HUNG WOOD CLAD WINDOW ASSEMBLY EQUAL TO MARVIN INTEGRITY ALL ULTREX



DOUBLE-HUNG WOOD CLAD WINDOW ASSEMBLY EQUAL TO MARVIN INTEGRITY ALL ULTREX

9 ELEVATION & SECTIONS @ NEW CONSTRUCTION WINDOW "D"

REFERENCED FROM:

SCALE: 3/8" = 1'-0"

11 ELEVATION & SECTIONS @ NEW CONSTRUCTION WINDOW "A"

REFERENCED FROM:

SCALE: 3/8" = 1'-0"

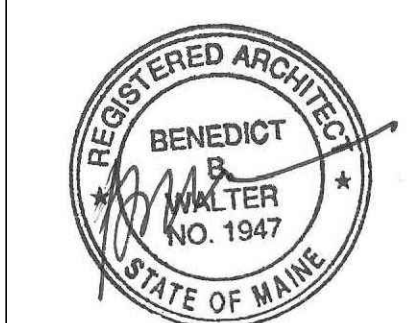


CWS Architects

Architecture
Space Planning
Value Design

434 Cumberland Avenue
Portland, ME 04101
Phone: (207)774-4441
Fax: (207)774-4016

www.CWSarch.com



Owner:

Children's Hospital Housing Partners, LP
309 Cumberland Ave.
Suite 203
Portland, Maine 04101

CONSTRUCTION MANAGER:

WRIGHT-RYAN CONSTRUCTION
10 DANFORTH STREET
PORTLAND, ME 04101
TEL: (201) 773-3625

ELM TERRACE

68 HIGH STREET
PORTLAND, MAINE

Project No: 09428

Drawing Title:
WINDOW ELEVATIONS, SECTIONS - NEW ADDITION

Scale: AS NOTED

Date: ISSUED SEPTEMBER 8, 2011

Revisions:

- △ MAINE HOUSING CONCEPT SUBMISSION 02-01-2011
- △ HISTORIC PRESERVATION SUBMISSION 03-23-2011
- △ 50% MAINEHOUSING REVIEW 04-01-2011
- △ 90% MAINEHOUSING REVIEW 06-03-2011
- △ NPS SUBMISSION 07-01-2011
- △ ISSUED SEPTEMBER 8, 2011

Drawing Number:

A8.23