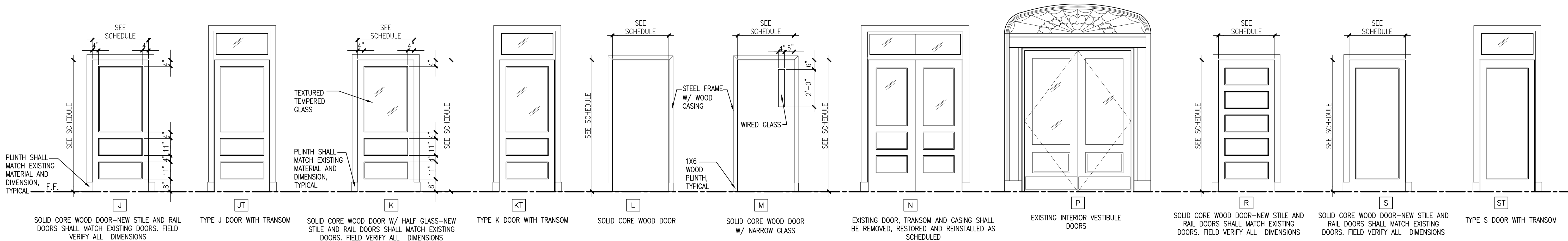


1 EXTERIOR DOOR ELEVATIONS

REFERENCED FROM:

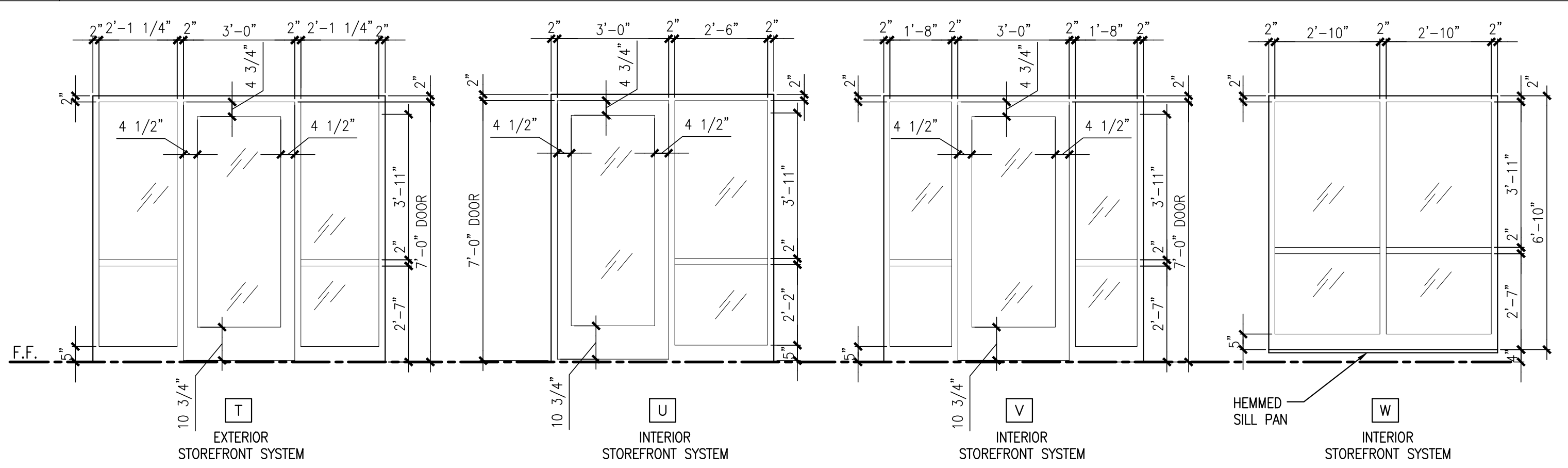
SCALE: 3/8" = 1'-0"



2 INTERIOR DOOR ELEVATIONS

REFERENCED FROM:

SCALE: 3/8" = 1'-0"



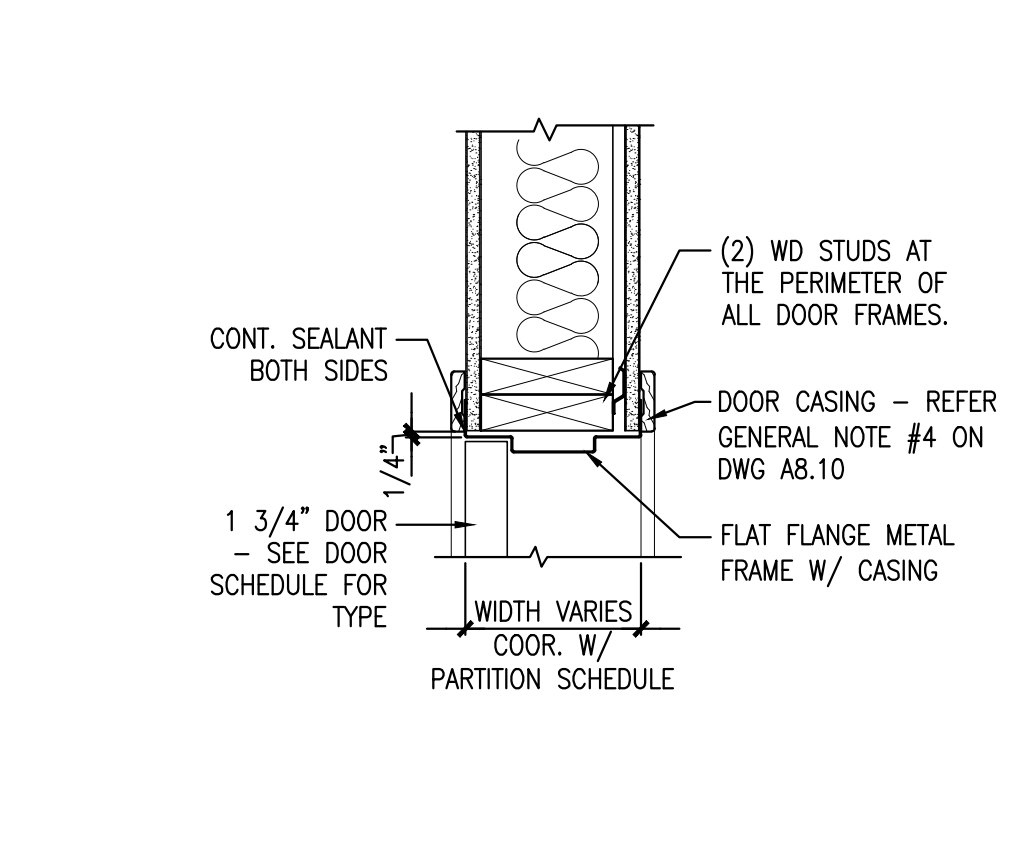
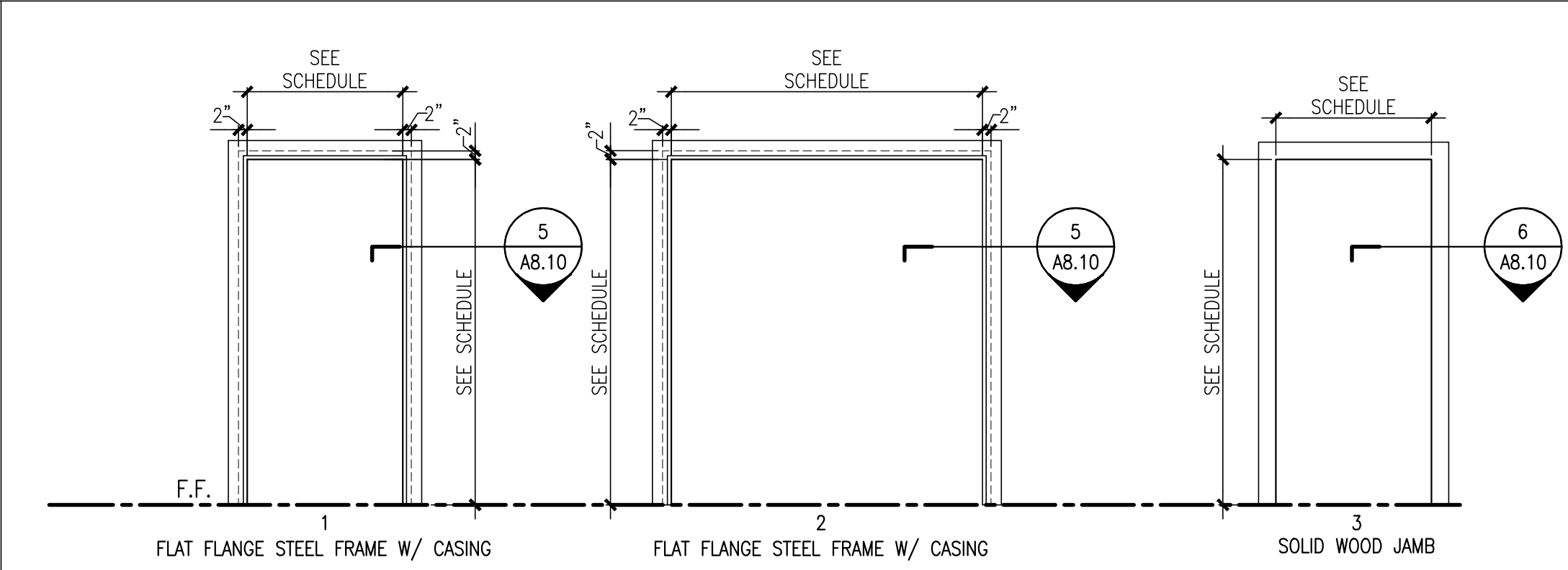
3 STOREFRONT ELEVATIONS

REFERENCED FROM:

4 DOOR FRAME ELEVATIONS

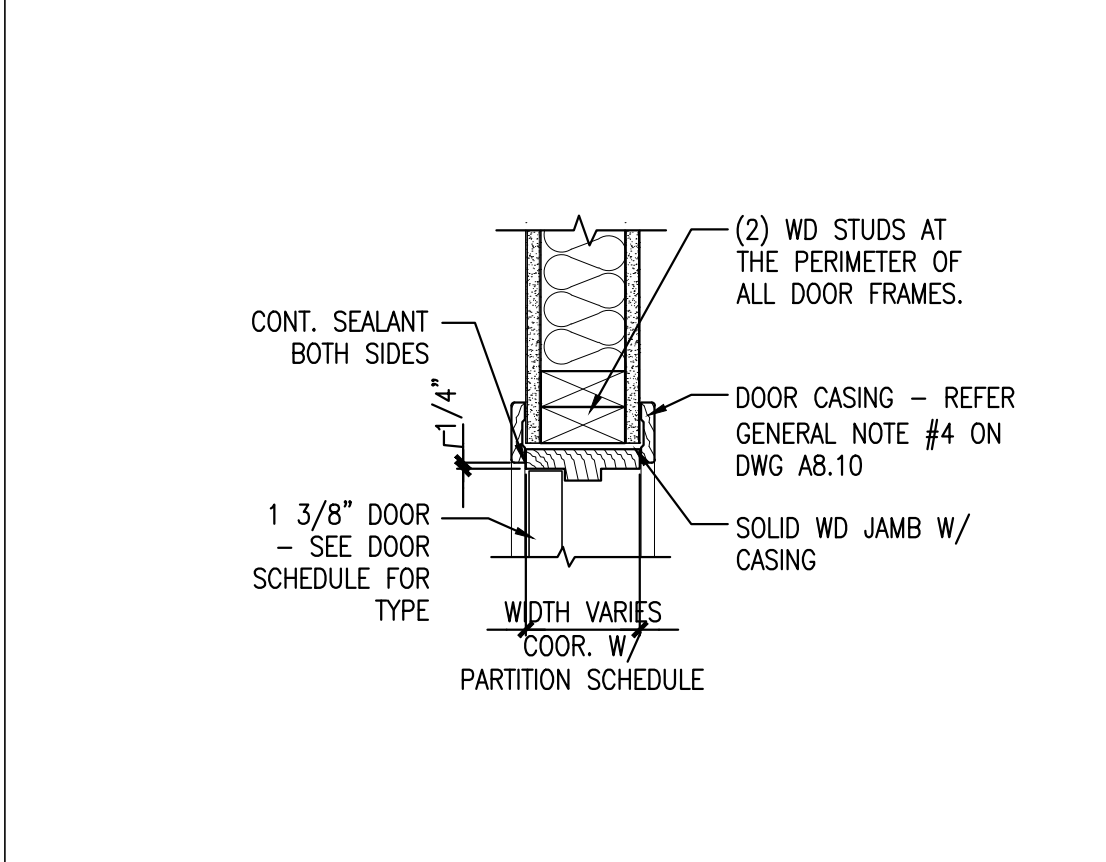
REFERENCED FROM:

SCALE: 3/8" = 1'-0"



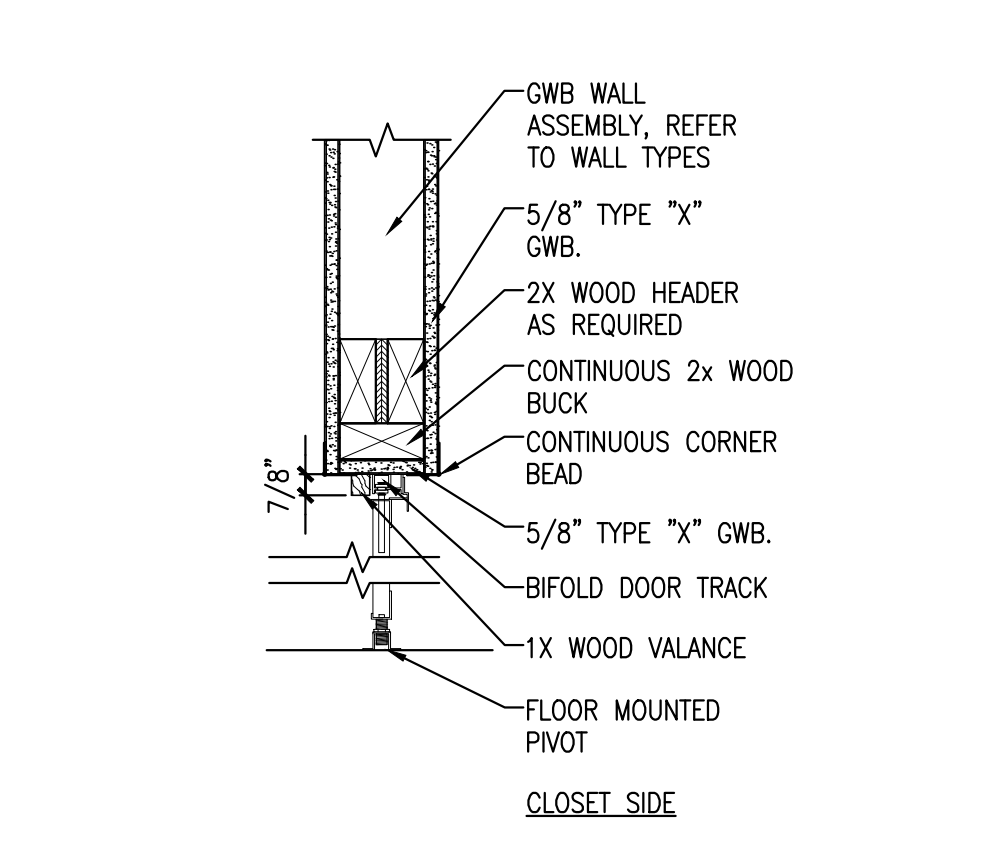
5 INTERIOR DOOR JAMB DETAIL

REFERENCED FROM: SCALE: 1 1/2" = 1'-0"



6 INTERIOR DOOR JAMB DETAIL

REFERENCED FROM: SCALE: 1 1/2" = 1'-0"



7 BIFOLD DOOR HEAD DETAIL

REFERENCED FROM: SCALE: 1 1/2" = 1'-0"



8

REFERENCED FROM: SCALE: 1 1/2" = 1'-0"

- GENERAL NOTES:**
1. THE CONTRACTOR SHALL VERIFY ALL OPENINGS AND CONFIRM ALL DOOR UNIT SIZES PRIOR TO RELEASING FOR FABRICATION.
 2. REFER TO DOOR SCHEDULE FOR EXTERIOR AND INTERIOR DOOR DETAILS
 3. PROVIDE LOW "E" INSULATED GLAZING THROUGHOUT
 4. PROVIDE DOOR CASING (UNIT INTERIOR) - PAINTED POPLAR, REFER TO M02/A9.31
 5. PROVIDE DOOR CASING (ADDITION PUBLIC SPACES AND CORRIDOR SIDE, AND AS NOTED) - PAINTED POPLAR, REFER TO M01/A9.31.
 6. REMOVE, REFINISH, AND REINSTALL SALVAGED DOOR CASINGS IN EXISTING BUILDING, PROVIDE M01/A9.31 TO MATCH.
 7. PROVIDE TEMPERED GLAZING AS REQUIRED BY CPSC REGULATION AND AS PER SPECIFICATION.
 8. REFER TO A9.31 DOOR CASING MOULDING PROFILES FOR PLINTH WIDTHS.

9 GENERAL NOTES

REFERENCED FROM: SCALE: NTS

CWS Architects
 Architecture
 Space Planning
 Value Design

434 Cumberland Avenue
 Portland, ME 04101
 Phone: (207)774-4441
 Fax: (207)774-4016

www.CWSarch.com

REGISTERED ARCHITECT
 BENEDICT B. WALTER
 NO. 1947
 STATE OF MAINE

Owner:
Children's Hospital Housing Partners, LP
 309 Cumberland Ave.
 Suite 203
 Portland, Maine 04101

CONSTRUCTION MANAGER:
WRIGHT-RYAN CONSTRUCTION
 10 DANFORTH STREET
 PORTLAND, ME 04101
 TEL: (207) 773-3625

ELM TERRACE

68 HIGH STREET
 PORTLAND, MAINE

Project No: 09428

Drawing Title:

DOOR & FRAME ELEVATIONS & DETAILS

Scale: AS NOTED
 Date: ISSUED SEPTEMBER 8, 2011

Revisions:

- MAINE HOUSING CONCEPT SUBMISSION 02-01-2011
- HISTORIC PRESERVATION SUBMISSION 03-23-2011
- 50% MAINEHOUSING REVIEW 04-01-2011
- 90% MAINEHOUSING REVIEW 06-03-2011
- NPS SUBMISSION 07-01-2011
- ISSUED SEPTEMBER 8, 2011

Drawing Number:
A8.10