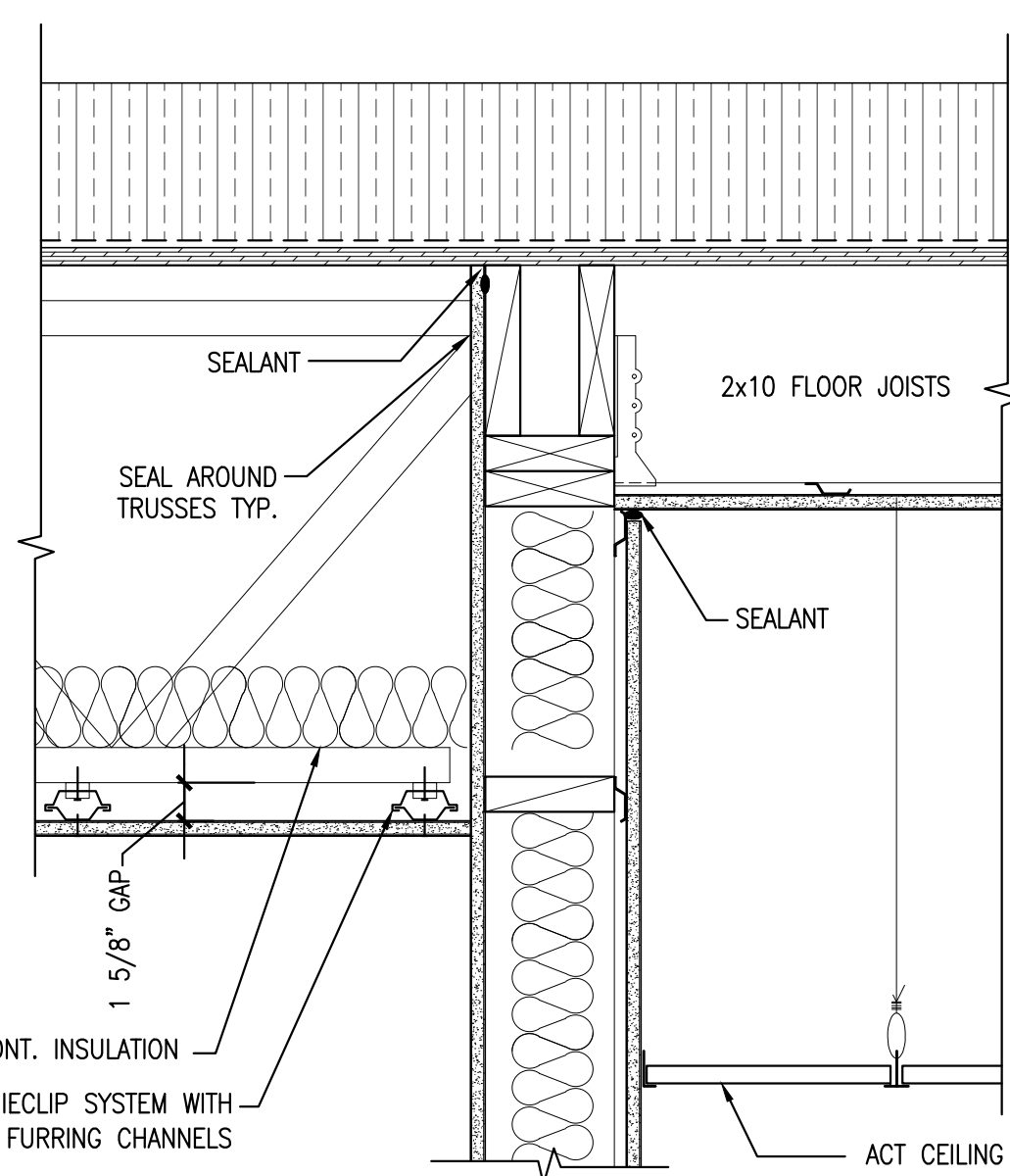


1 UNIT DEMISING WALL AT ROOF

AIR SEALING DETAILS

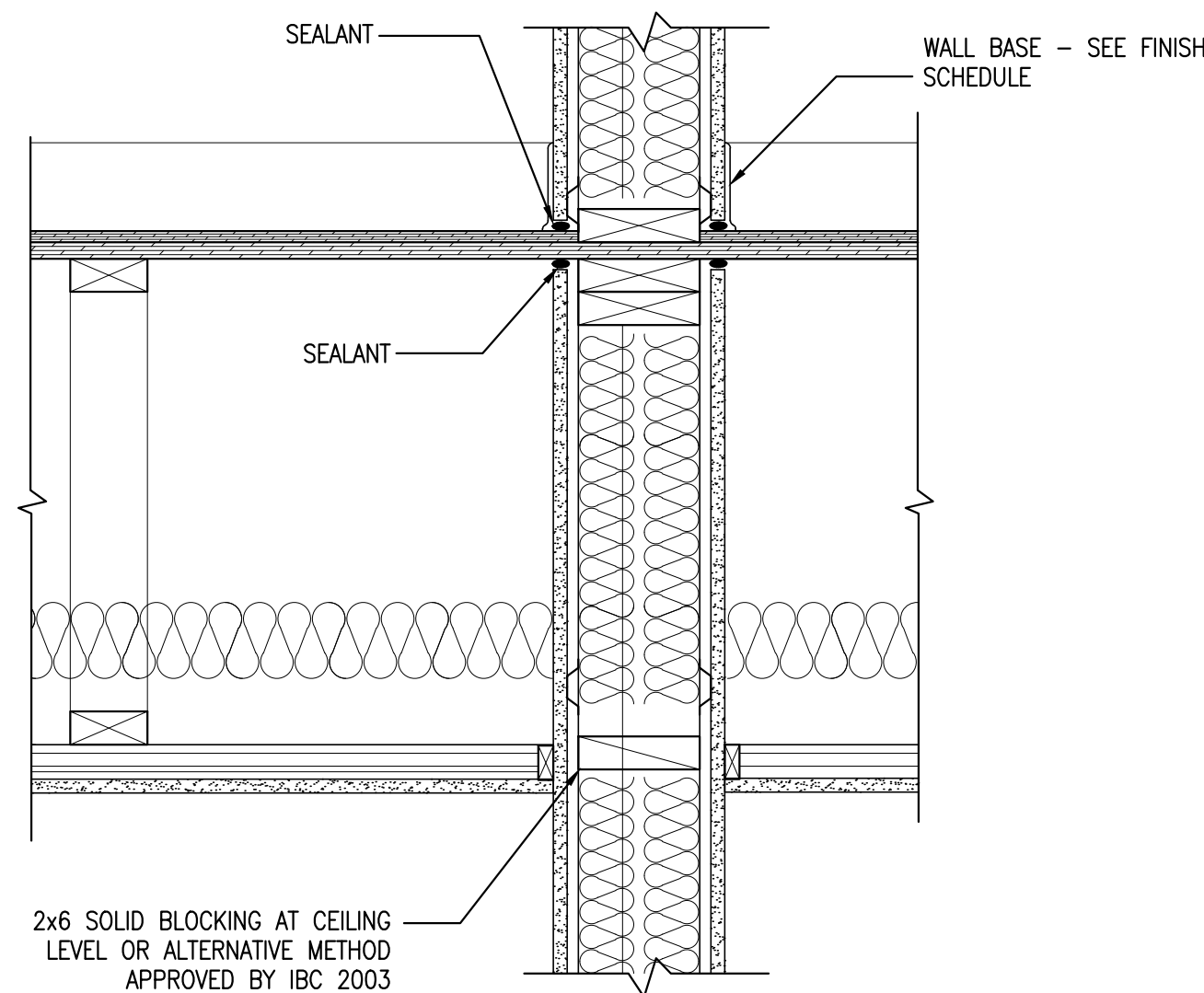
SCALE: 1/2"=1'-0"



4 UNIT / CORRIDOR DEMISING WALL AT ROOF

AIR SEALING DETAILS

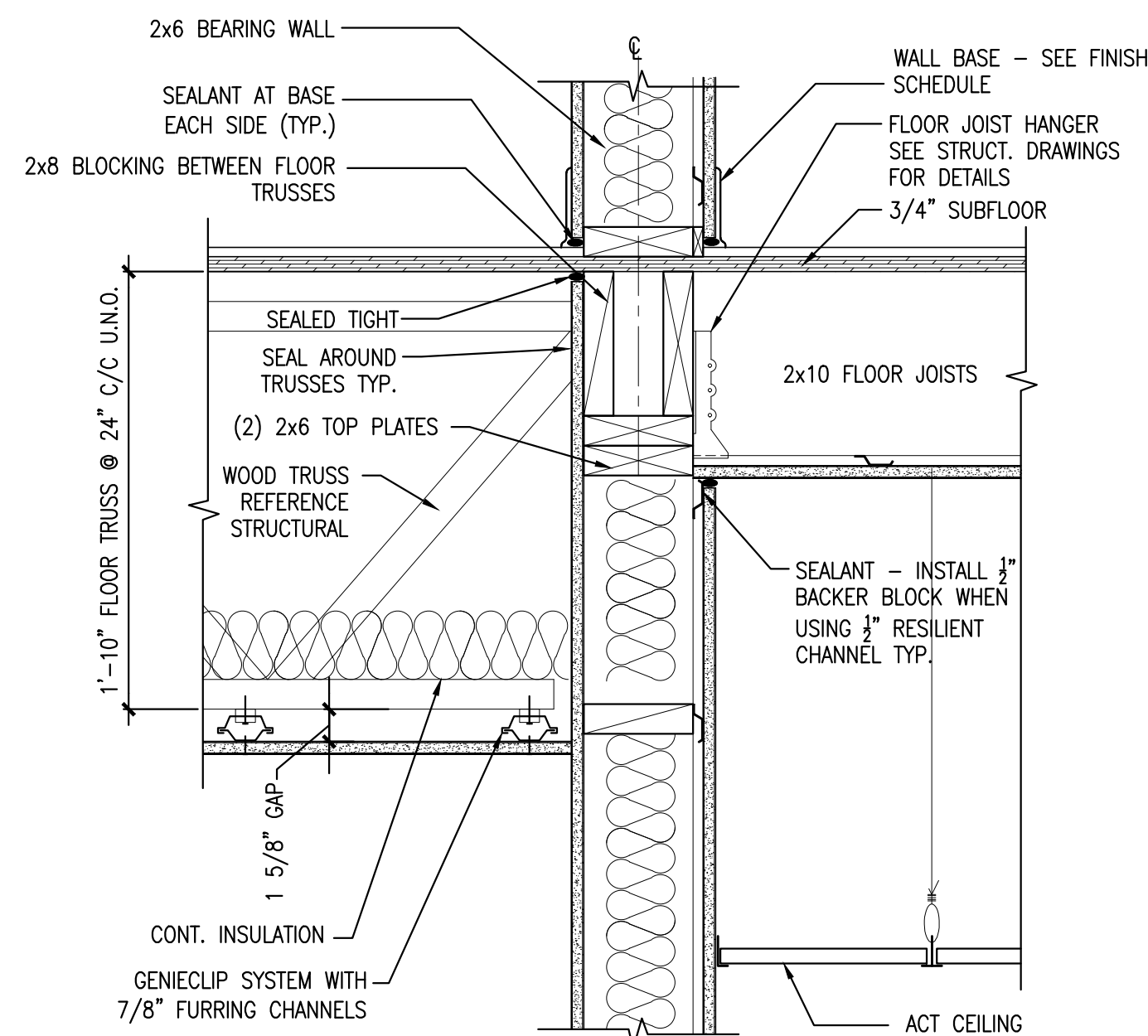
SCALE: 1/2"=1'-0"



2 UNIT DEMISING WALL AT FLOOR LEVEL

AIR SEALING DETAILS

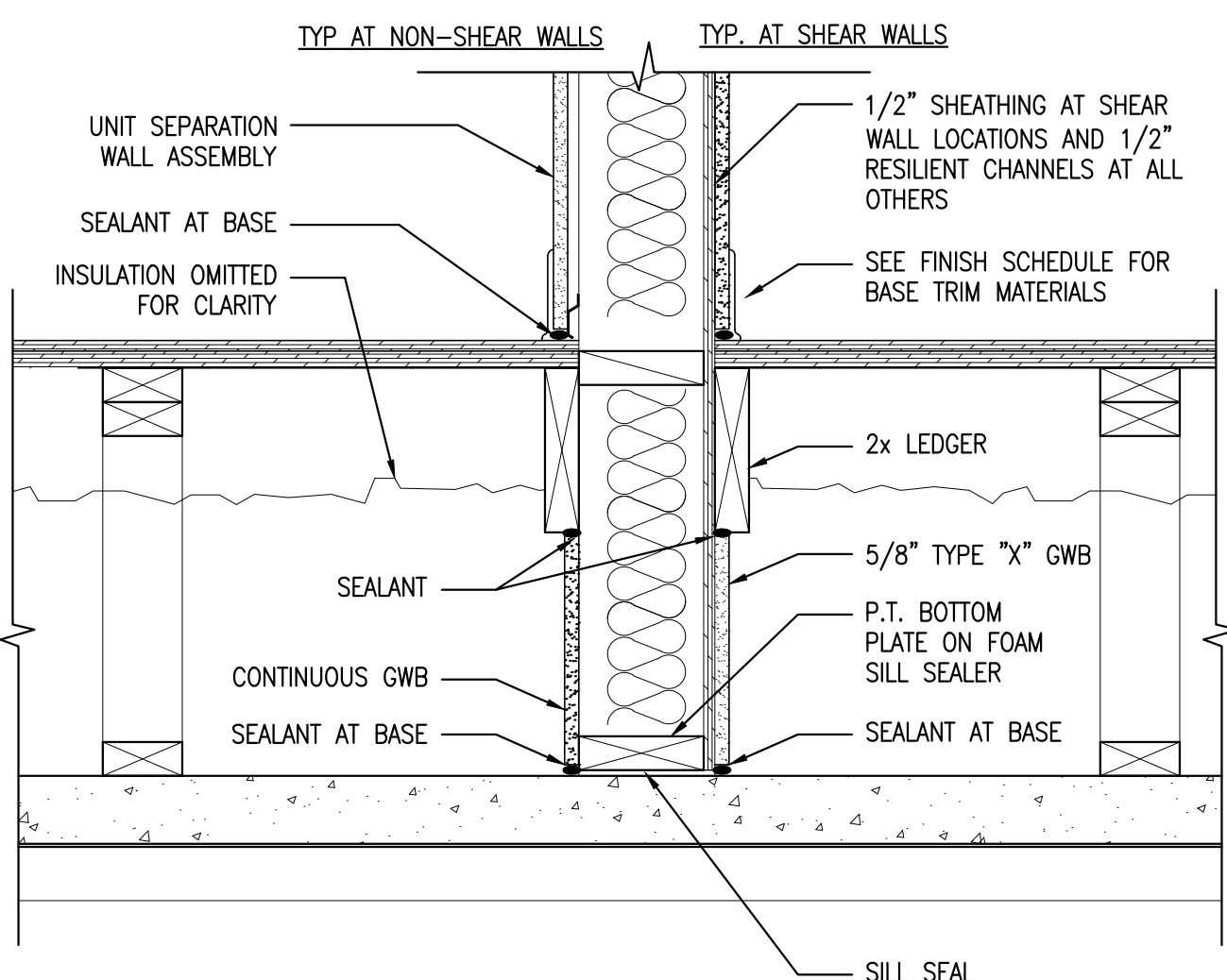
SCALE: 1/2"=1'-0"



5 UNIT / CORRIDOR DEMISING WALL AT FLOOR

REFERENCED FROM:

SCALE: 3/8"=1'-0"



3 UNIT DEMISING WALL AT FIRST FLOOR

AIR SEALING DETAILS

SCALE: 1/2"=1'-0"

NOTES:

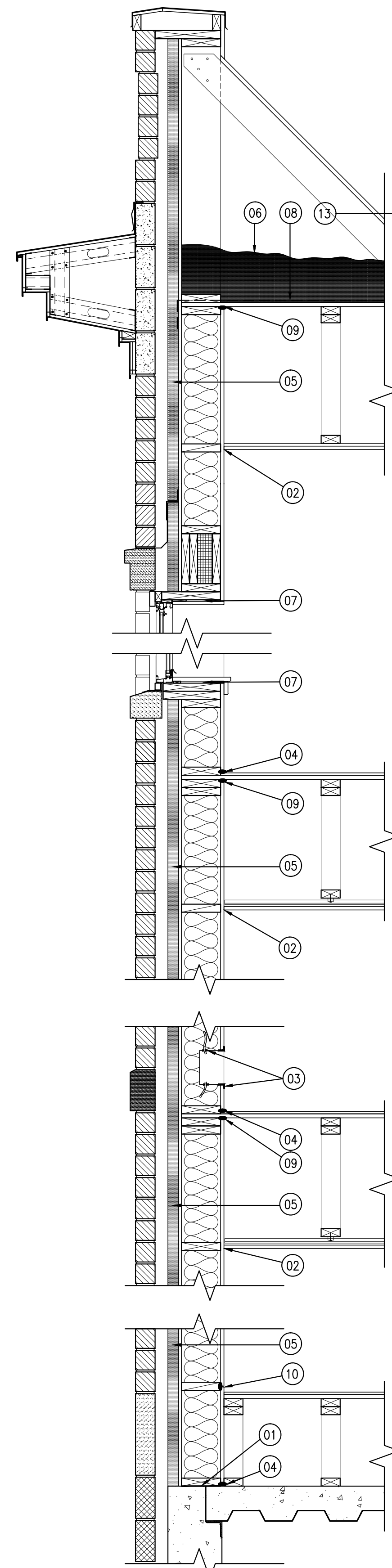
1. ALL ELECTRICAL BOXES LOCATED ON EXTERIOR WALLS OR UNIT DEMISING WALLS TO BE AIR SEALED
2. DETAILS ON THIS SHEET ARE MAINLY FOR AIR SEALING DETAILS, NOT ALL INFORMATION AND MATERIALS IS CALLED OUT.
3. CAULK ALL JOINTS BETWEEN STUDS AT EXTERIOR AND AT DEMISING WALLS WHERE MULTIPLE STUDS ARE INSTALLED.
4. FOAM ALL GAPS LARGER THAN 3" WITH LOW EXPANSION FOAM.
5. NOT ALL CONDITIONS SHOWN IN THESE DETAILS.

EXISTING BUILDING INTERIOR PARTITIONS TO HAVE SIMILAR SEALING. THESE DETAILS DEMONSTRATE THE INTENT TO AIR AND ACOUSTICALLY SEAL BETWEEN UNITS AND COMMON SPACE. CARE SHOULD BE TAKEN TO MAINTAIN A CONTINUOUS SEAL AT ALL GWB MUD AND TAPE JOINTS AS WELL AS WITH APPLIED SEALANTS. QUESTIONS OR CONFLICTS BY THE GC TO BE BROUGHT TO THE ATTENTION OF THE ARCHITECT BEFORE PERFORMING WORK.

6 LEGEND

REFERENCED FROM:

SCALE:



DETAIL LEGEND

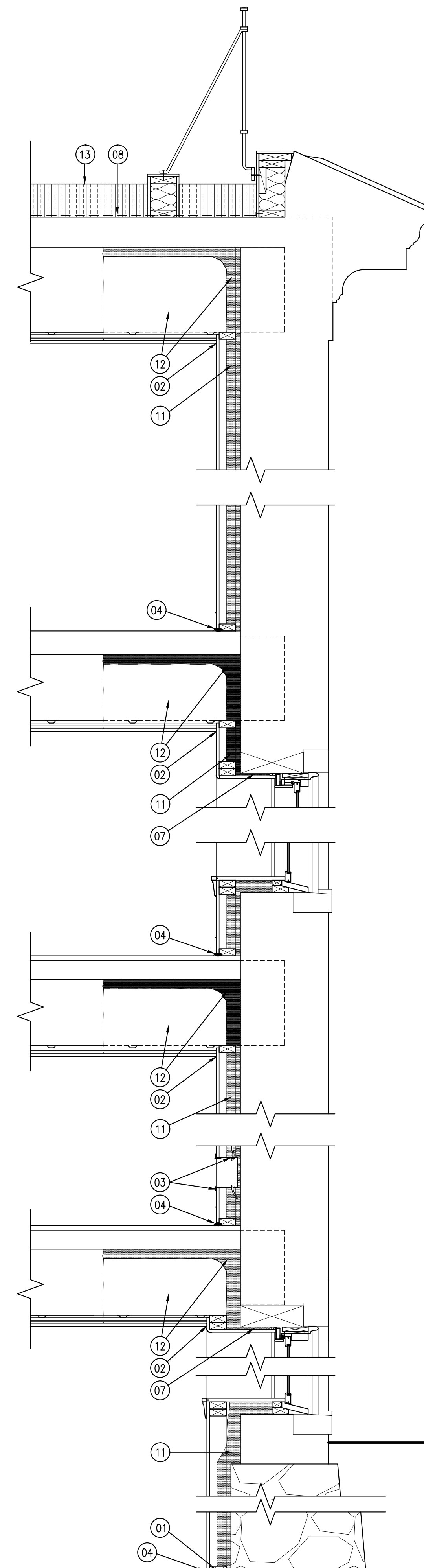
1. SILL SEALER INSULATION (TYP.)
2. MUD, TAPE AND 2 LAYERS OF PAINT SEAL AT GWB JOINT.
3. CAULK/SEAL ELECTRICAL BOXES AT ALL FOUR SIDES BETWEEN GYP AND AT ALL OPENINGS & WIRE PENETRATIONS (TYP.)
4. THERMAL SEALANT AT BASE (TYP.)
5. 2" EXTERIOR ENVELOPE FOAMED-IN-PLACED INSULATION
6. SPRAY-FOAM INSULATION TO R49 UNDER PARAPET WALL BRACE TYP.
7. LOW EXPANSION FOAM SPRAY OR SEALANT AROUND WINDOWS, AND DOORS (TYP.)
8. ROOFING SELF ADHERED BASE SHEET WRAP OVER EDGE OF ROOF DECK UNDER PARAPET WALL PLATE ONTO EXTERIOR SHEATHING BEFORE APPLYING EXTERIOR SPRAY-FOAM INSULATION.
9. CAULK/SEAL CONTINUOUS BLOCKING AND GWB (TYP.)
10. CAULK/ SEAL AT GWB BASE JOINT
11. 3" INTERIOR SPRAY-FOAM
12. EXTEND SPRAY FOAM MIN 2'-0" ALONG UNDERSIDE OF DECK/BEAMS ABOVE.
13. ROOF MEMBRANE OVER POLYISOCYANURATE INSULATION MIN. R49, CRICKET TO DRAINS.

NOTE: REFERENCE WINDOW DETAILS FOR FLASHING AND SPECIFIC SEALING

7 NEW CONSTRUCTION EXTERIOR WALL

AIR SEALING DETAIL

SCALE:



8 EXISTING CONSTRUCTION EXTERIOR WALL

AIR SEALING DETAIL

SCALE:

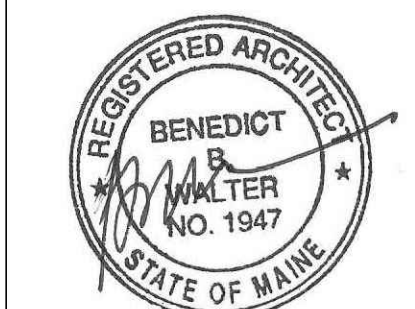


CWS Architects

Architecture
Space Planning
Value Design

434 Cumberland Avenue
Portland, ME 04101
Phone: (207)774-4441
Fax: (207)774-4016

www.CWSarch.com



Owner:

**Children's
Hospital Housing
Partners, LP**

309 Cumberland Ave.
Suite 203
Portland, Maine 04101

CONSTRUCTION MANAGER:

**WRIGHT-RYAN
CONSTRUCTION**

10 DANFORTH STREET
PORTLAND, ME 04101
TEL: (207) 773-3625

Project No: 09428

Drawing Title:

**TYPICAL AIR
SEALING SECTIONS
AND DETAILS**

Scale:

Date: ISSUED SEPTEMBER 8, 2011

Revisions:

- MAINE HOUSING CONCEPT SUBMISSION 02-01-2011
- HISTORIC PRESERVATION SUBMISSION 03-23-2011
- 50% MANHOUSING REVIEW 04-01-2011
- 90% MANHOUSING REVIEW 06-03-2011
- NPS SUBMISSION 07-01-2011
- ISSUED SEPTEMBER 8, 2011

Drawing Number:

A7.14

9/7/2011 1:53 PM