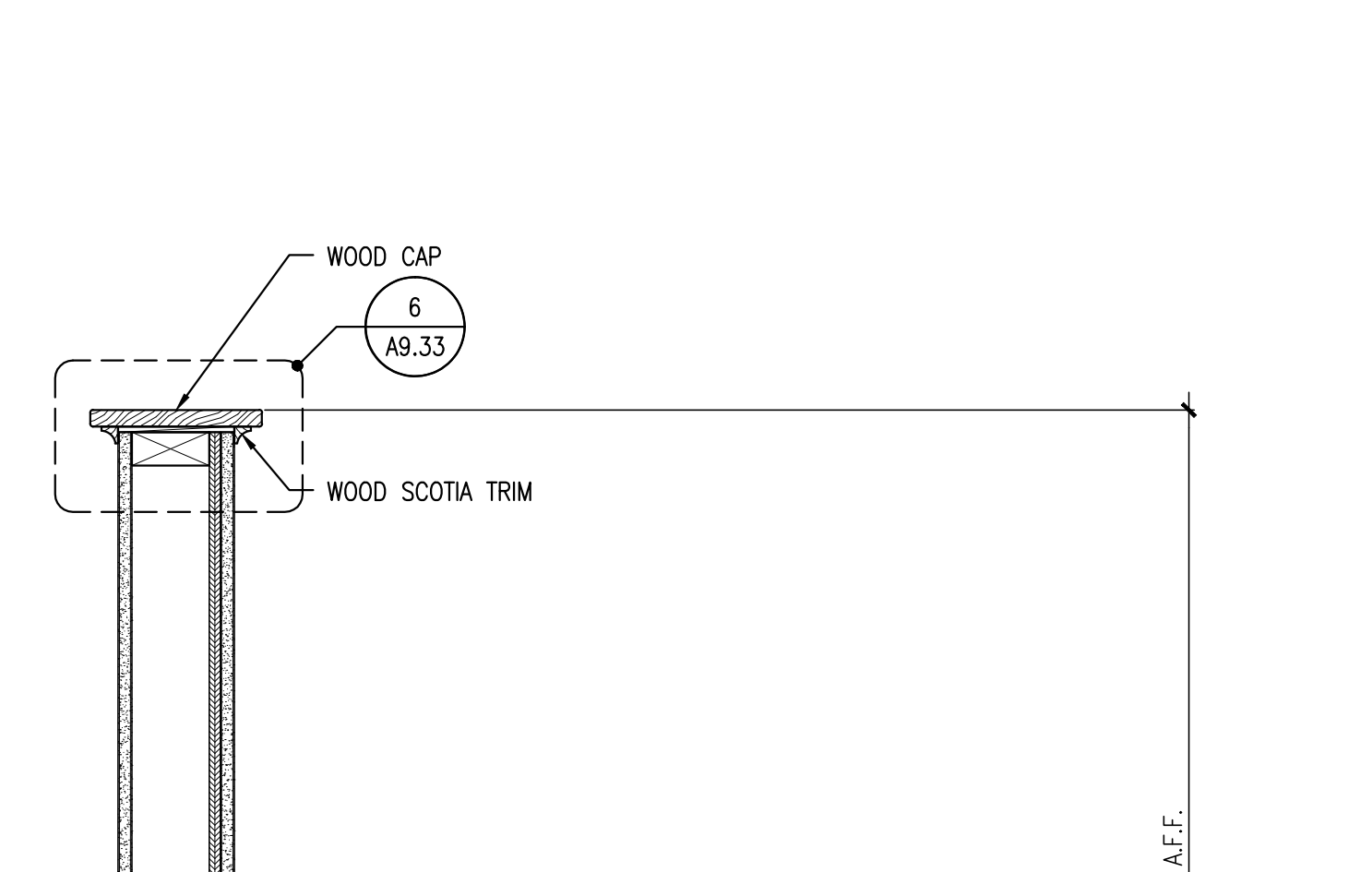
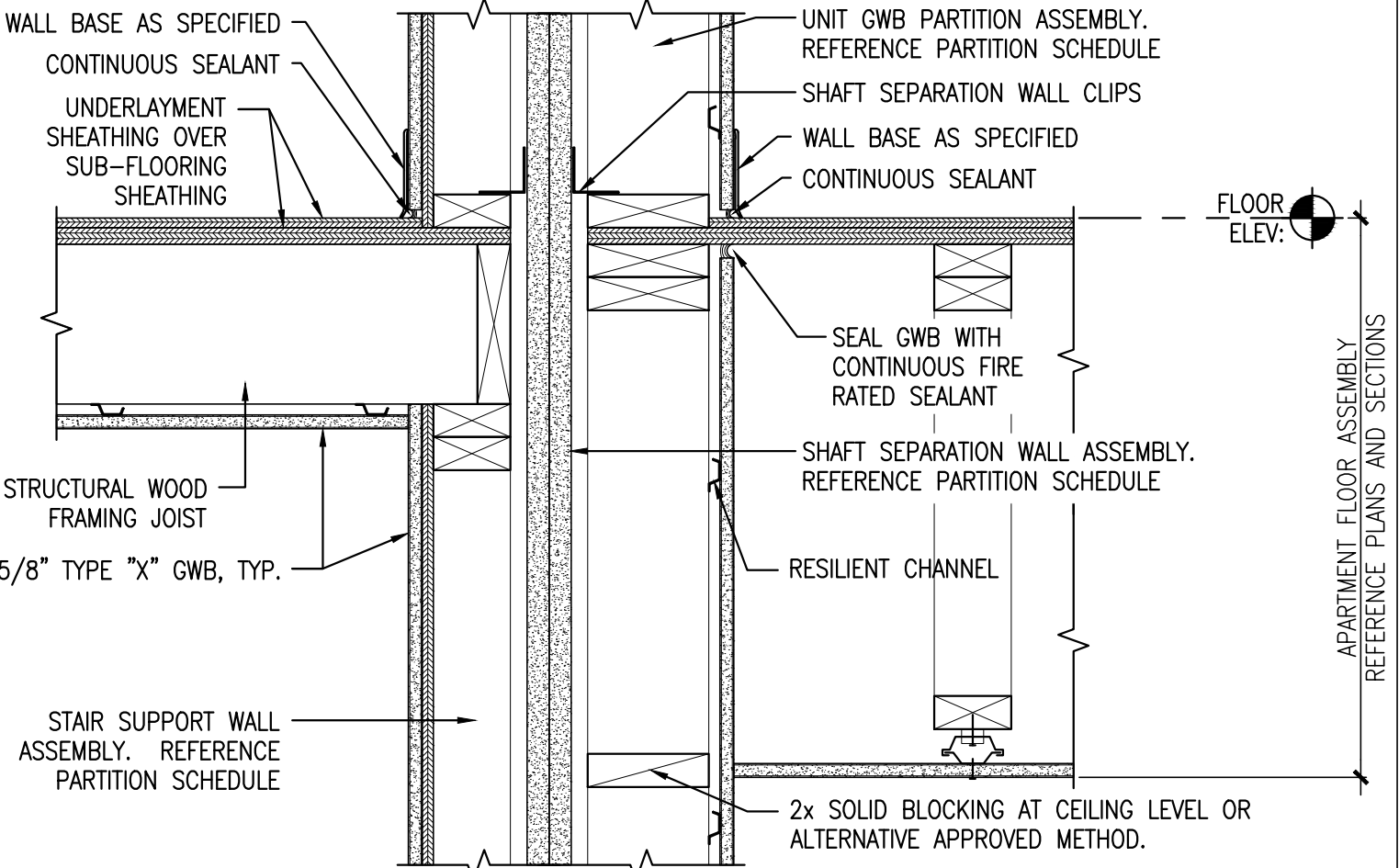
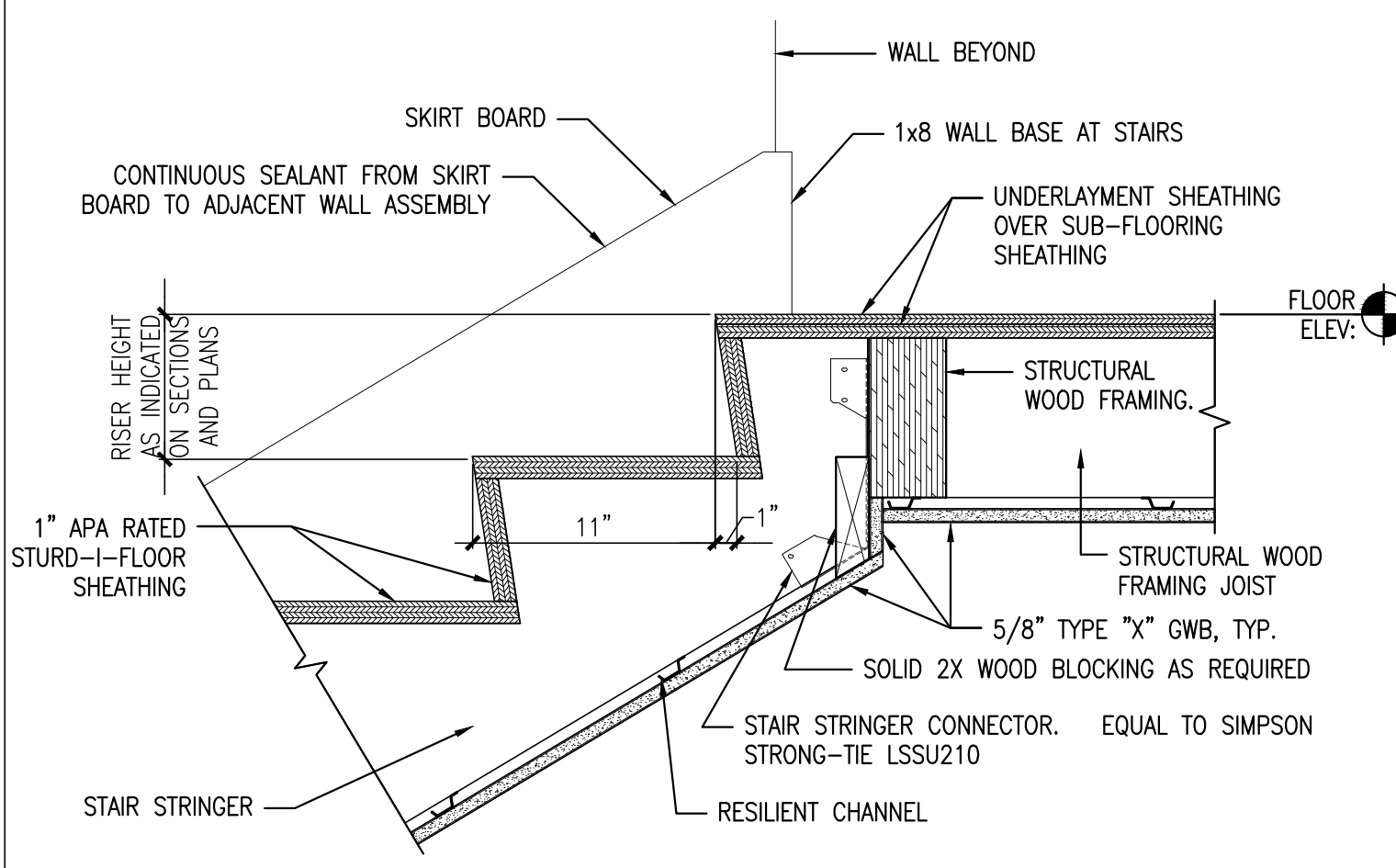


**1** **DETAIL @ NON-BEARING WALLS & CEILING**  
 REFERENCED FROM: SCALE: 1/2" = 1'-0"

**2** **DETAIL @ NON-BEARING WALLS & CEILING**  
 REFERENCED FROM: SCALE: 1/2" = 1'-0"

**3** **NOT USED**  
 REFERENCED FROM: SCALE: 3" = 1'-0"

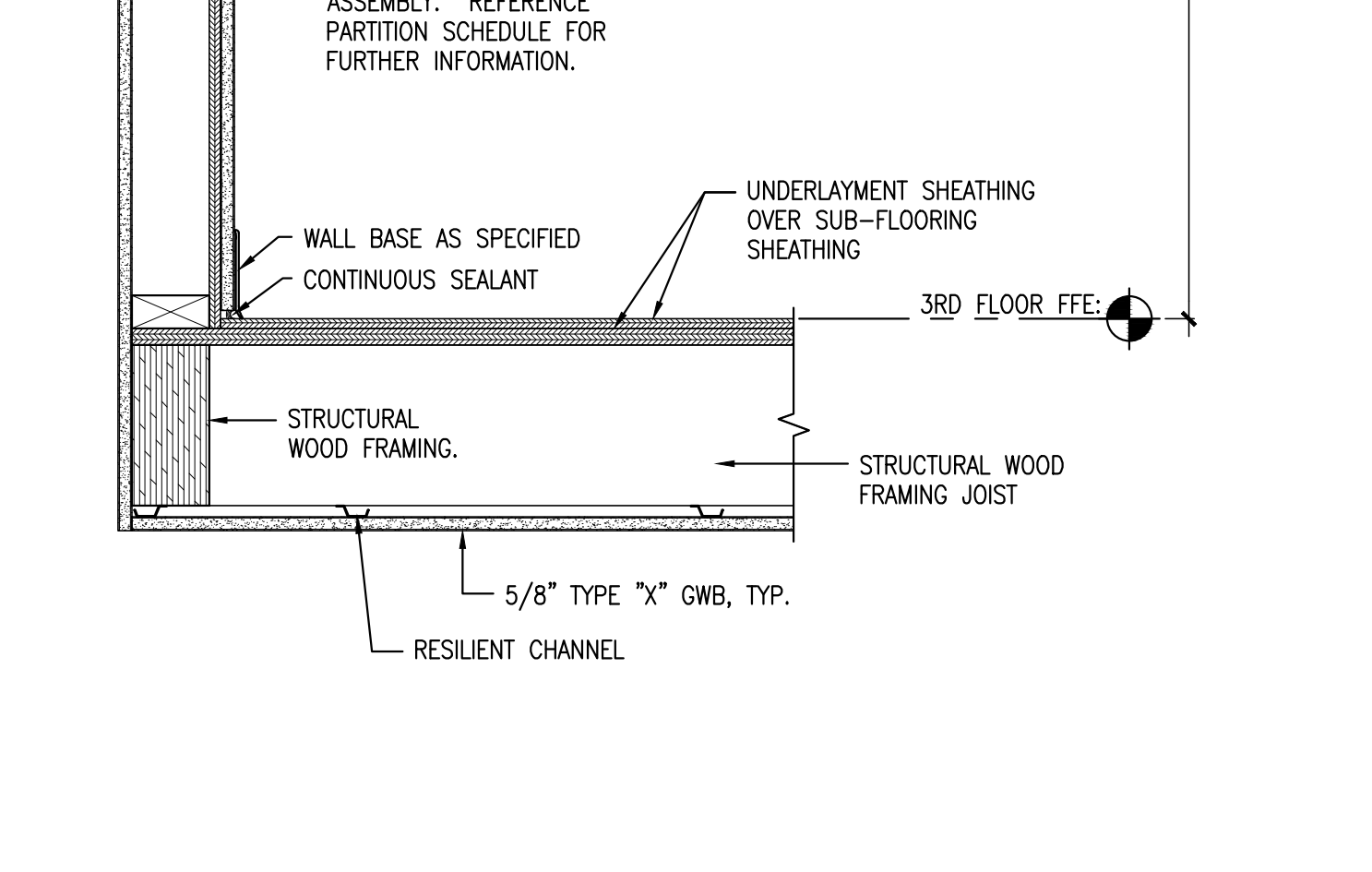
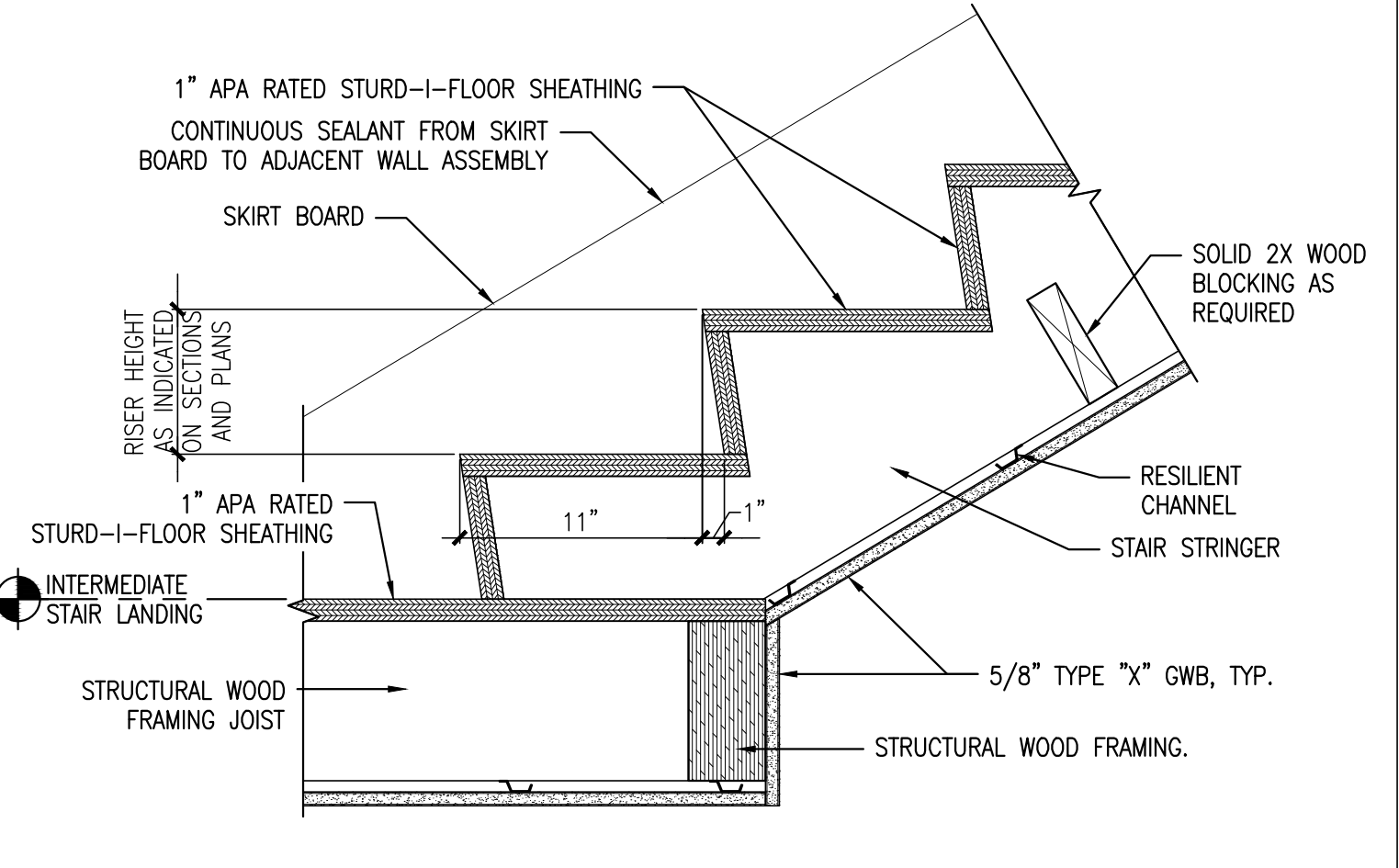
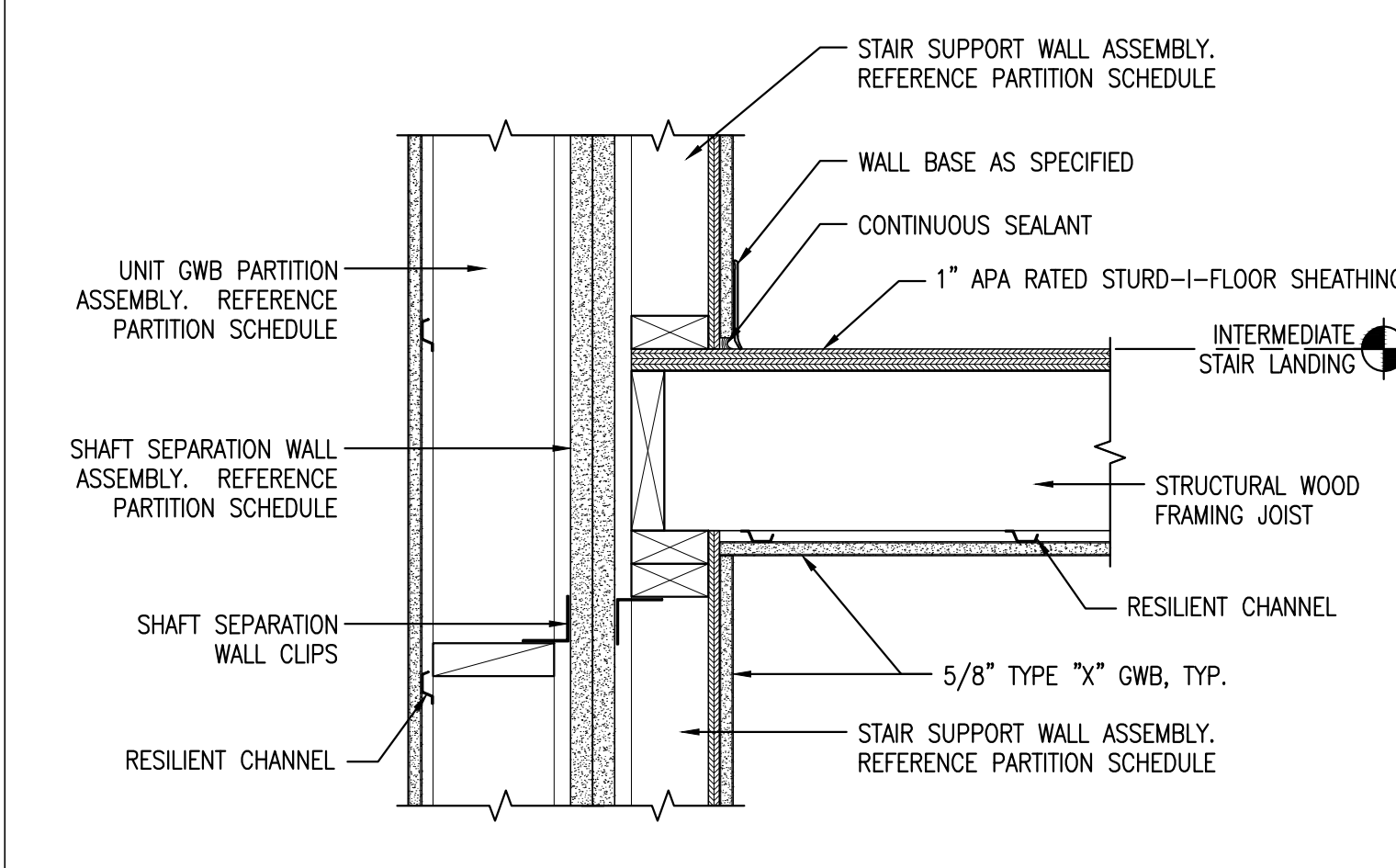
**4** **DETAIL @ WOOD STAIR HANDRAIL**  
 REFERENCED FROM: SCALE: 3" = 1'-0"



**8** **NOT USED**  
 REFERENCED FROM: SCALE:

**5** **DETAIL @ TOP OF STAIR**  
 REFERENCED FROM: SCALE: 1/2" = 1'-0"

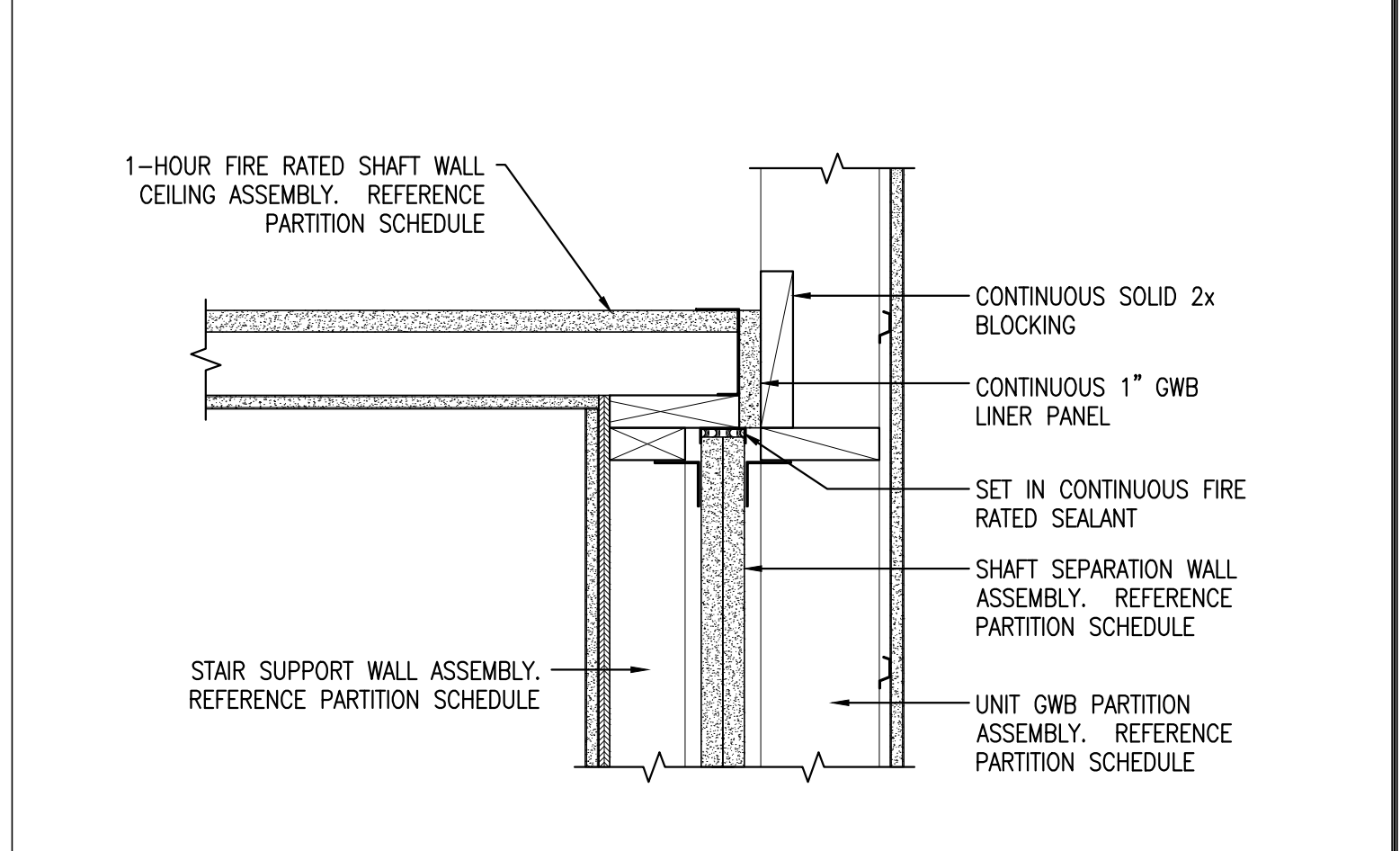
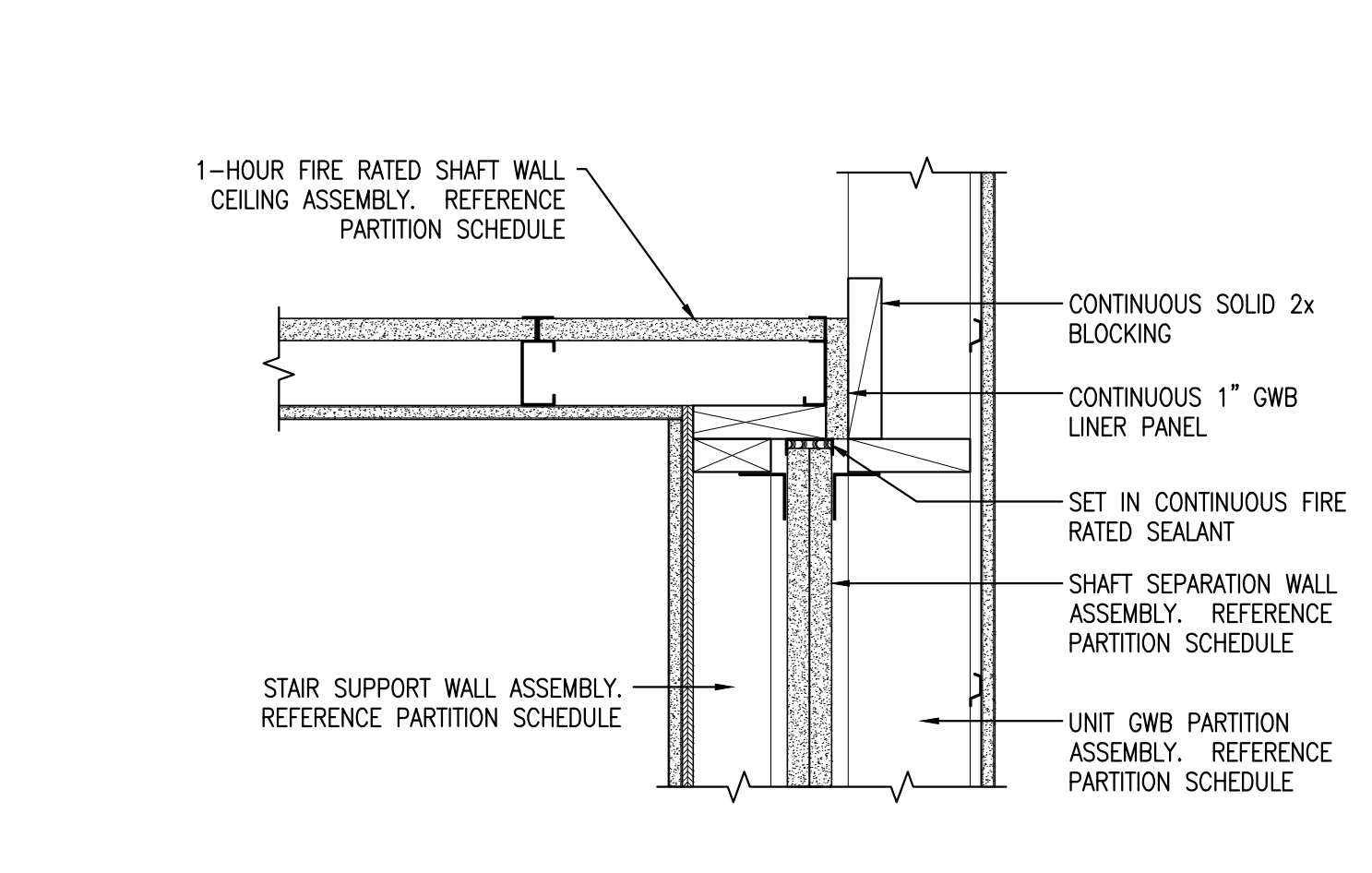
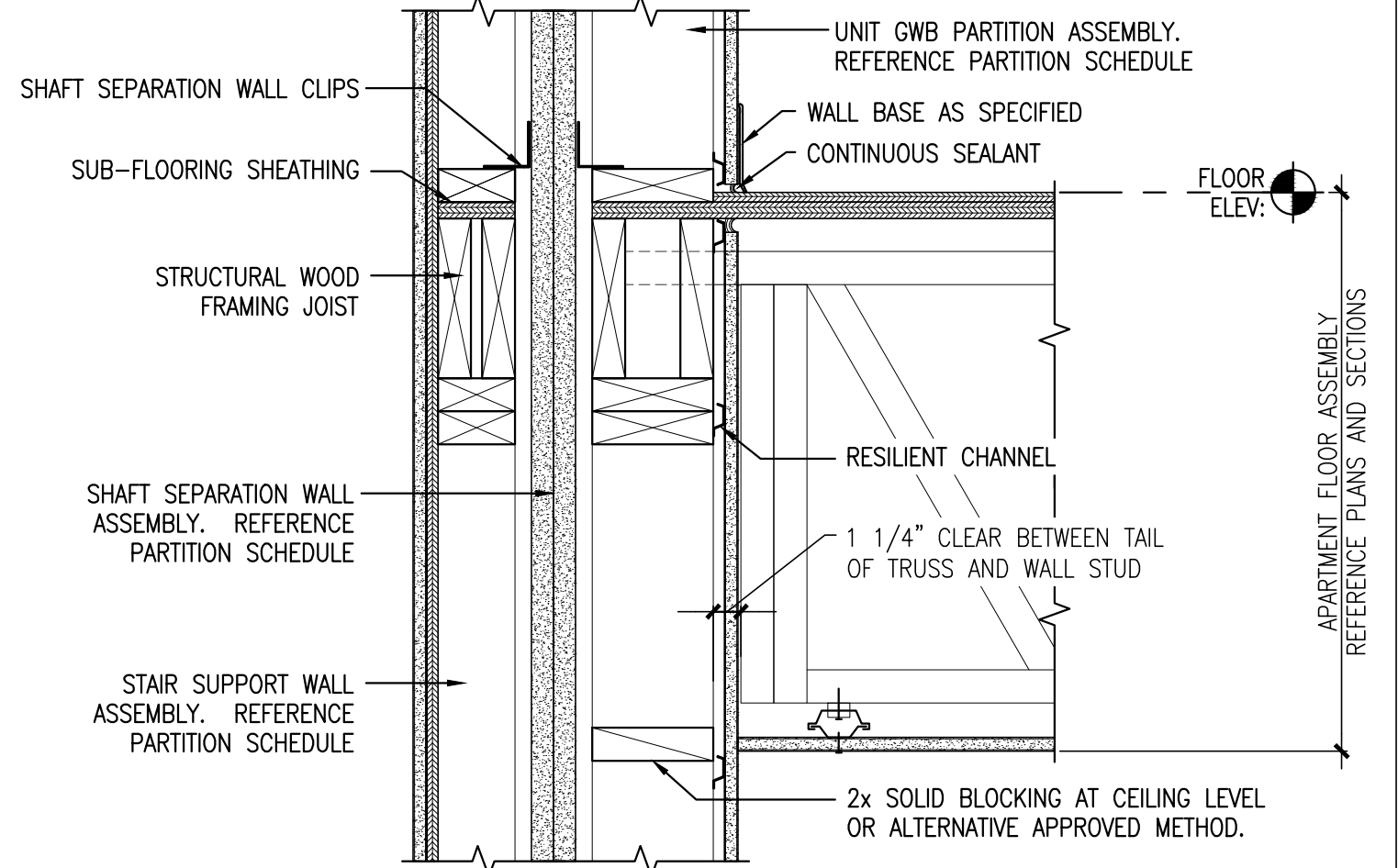
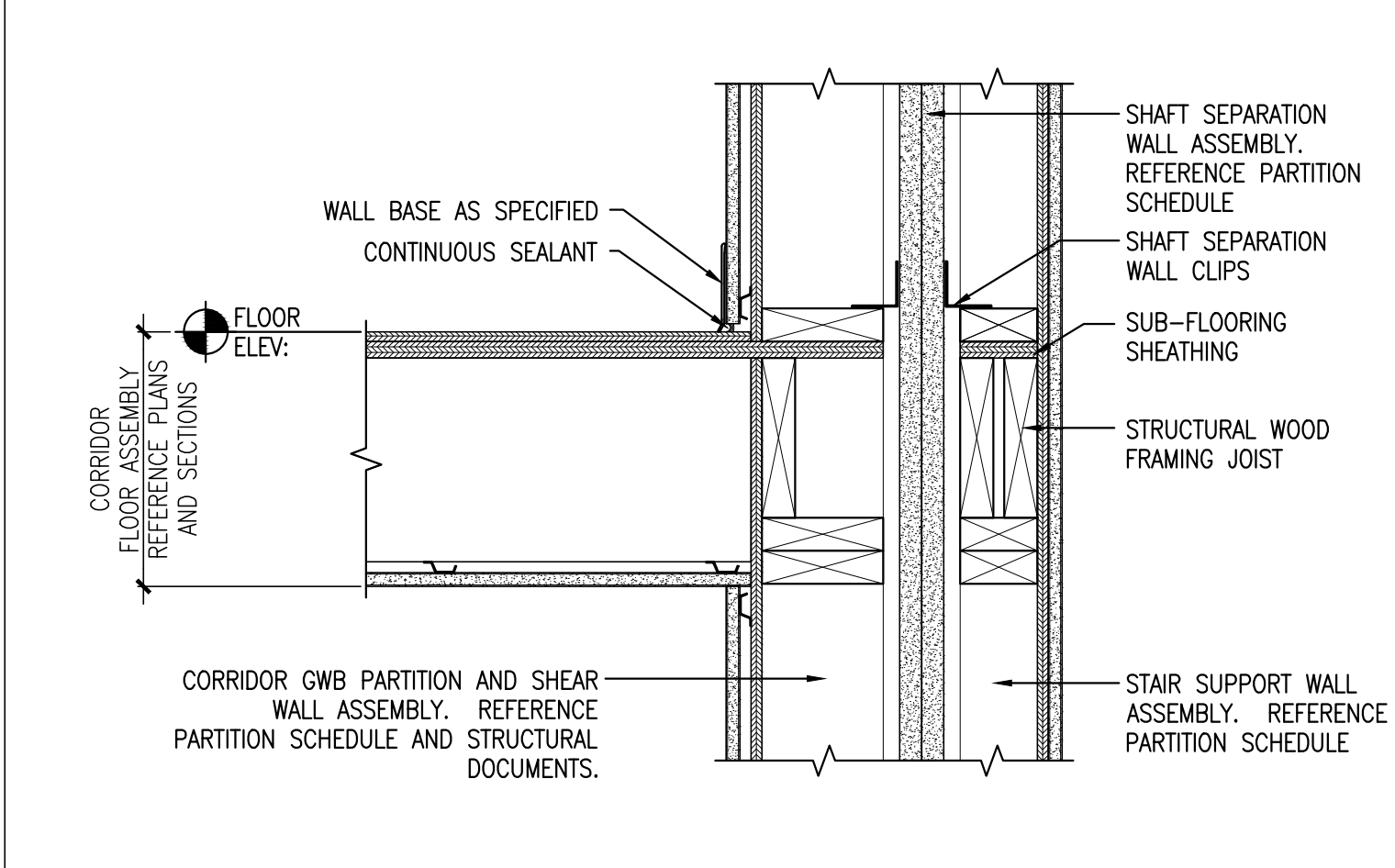
**6** **DETAIL @ FLOOR LANDING**  
 REFERENCED FROM: SCALE: 1/2" = 1'-0"



**11** **HALF WALL DETAIL @ STAIR #2**  
 REFERENCED FROM: SCALE: 1/2" = 1'-0"

**9** **DETAIL @ INTERMEDIATE LANDING**  
 REFERENCED FROM: SCALE: 1/2" = 1'-0"

**10** **DETAIL @ BOTTOM OF STAIR**  
 REFERENCED FROM: SCALE: 1/2" = 1'-0"



**13** **WALL DETAIL @ STAIR #2**  
 REFERENCED FROM: SCALE: 1/2" = 1'-0"

**14** **WALL DETAIL @ STAIR #2**  
 REFERENCED FROM: SCALE: 1/2" = 1'-0"

**15** **CEILING/WALL DETAIL @ STAIR #2**  
 REFERENCED FROM: SCALE: 1/2" = 1'-0"

**16** **CEILING/WALL DETAIL @ STAIR #2**  
 REFERENCED FROM: SCALE:

**CWS**

CWS Architects  
 Architecture  
 Space Planning  
 Value Design

434 Cumberland Avenue  
 Portland, ME 04101  
 Phone: (207)774-4441  
 Fax: (207)774-4016

www.CWSarch.com

REGISTERED ARCHITECT  
 BENEDICT WALTER  
 NO. 1947  
 STATE OF MAINE

Owner:  
**Children's Hospital Housing Partners, LP**  
 309 Cumberland Ave.  
 Suite 203  
 Portland, Maine 04101

CONSTRUCTION MANAGER:  
**WRIGHT-RYAN CONSTRUCTION**  
 10 DANFORTH STREET  
 PORTLAND, ME 04101  
 TEL: (201) 773-3625

**ELM TERRACE**

68 HIGH STREET  
 PORTLAND, MAINE

Project No: 09428

Drawing Title:  
**MISC DETAILS**

Scale: SCALE  
 Date: ISSUED SEPTEMBER 8, 2011

Revisions:

- MAINE HOUSING CONCEPT SUBMISSION 02-01-2011
- HISTORIC PRESERVATION SUBMISSION 03-23-2011
- 50% MANHOUSING REVIEW 04-01-2011
- 90% MANHOUSING REVIEW 06-03-2011
- NPS SUBMISSION 07-01-2011
- ISSUED SEPTEMBER 8, 2011

Drawing Number:  
**A7.10**

9/8/2011 11:45 PM