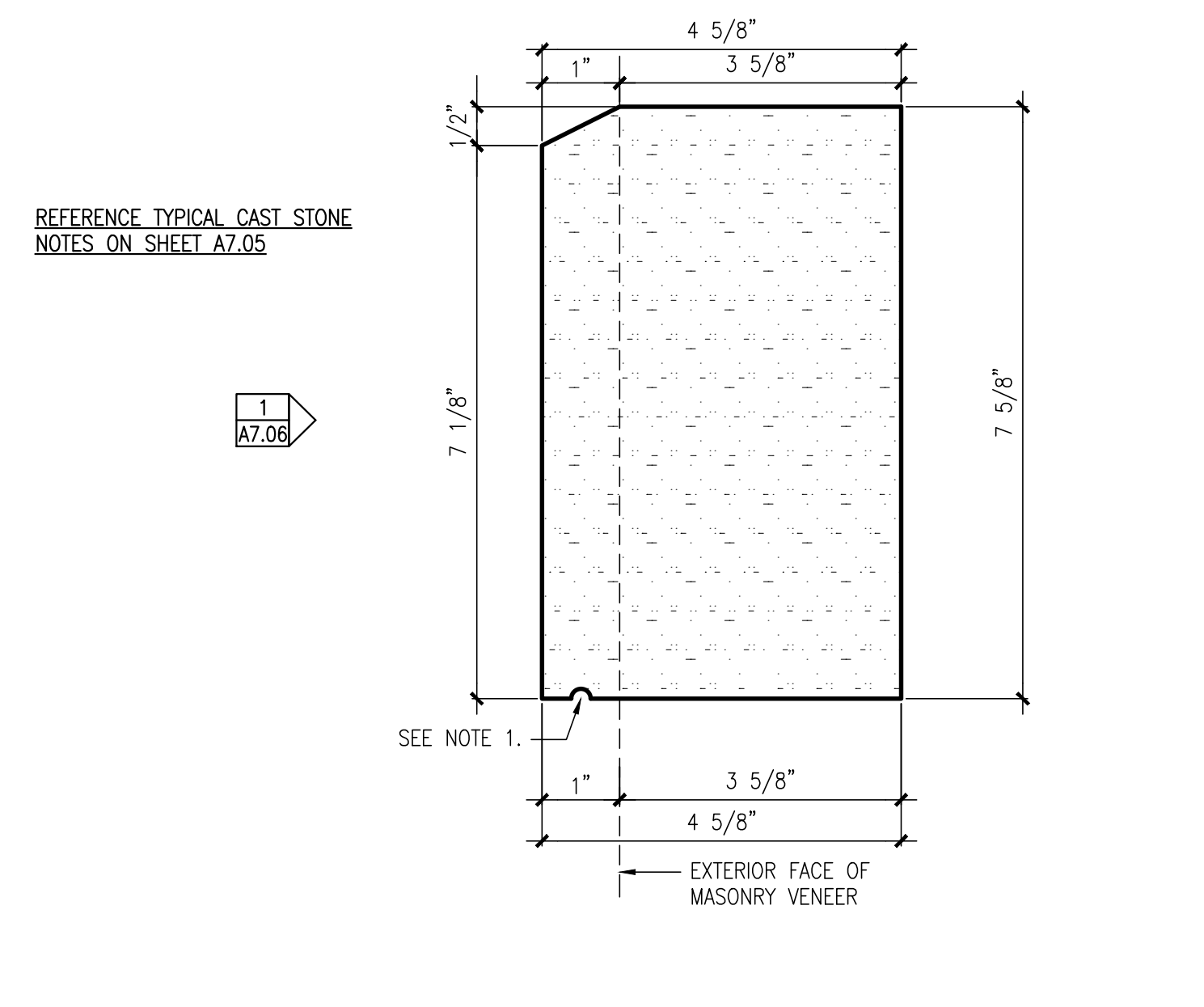
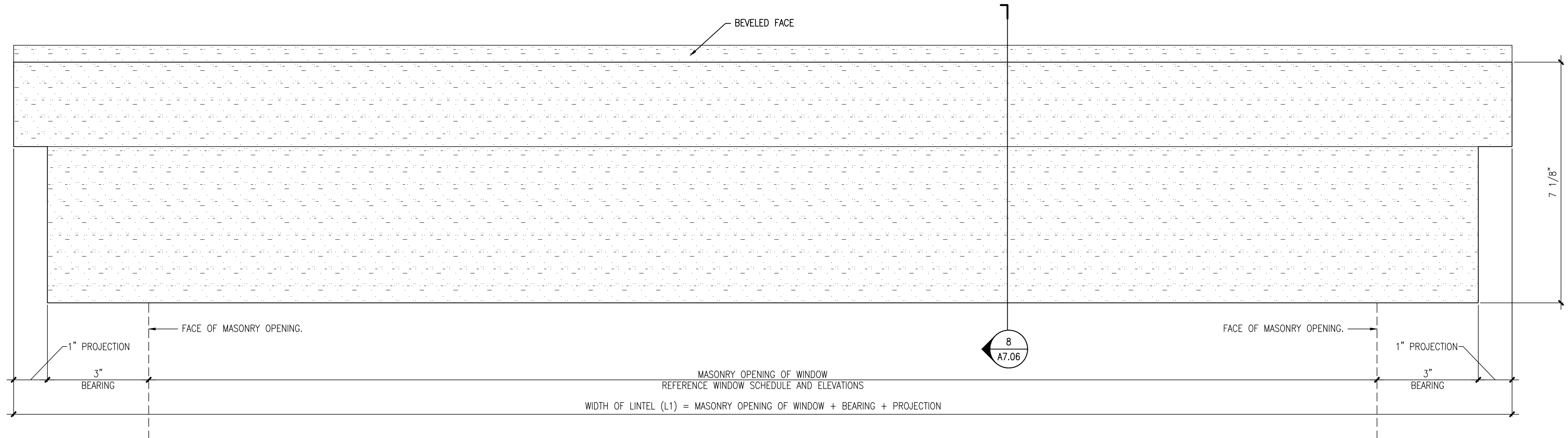


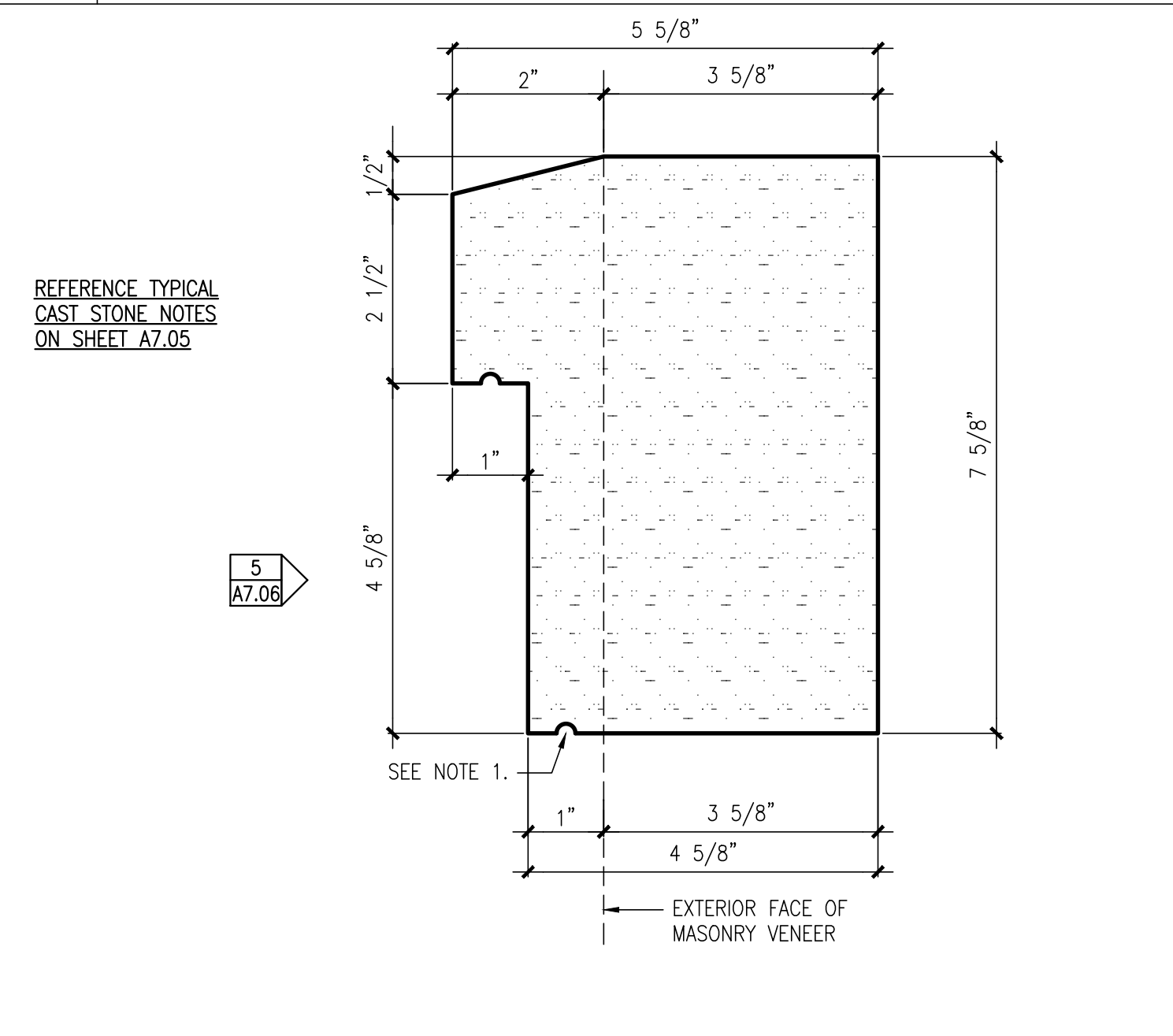
1 PROFILE SECTION @ CAST STONE LINTEL (L-2)
REFERENCED FROM:



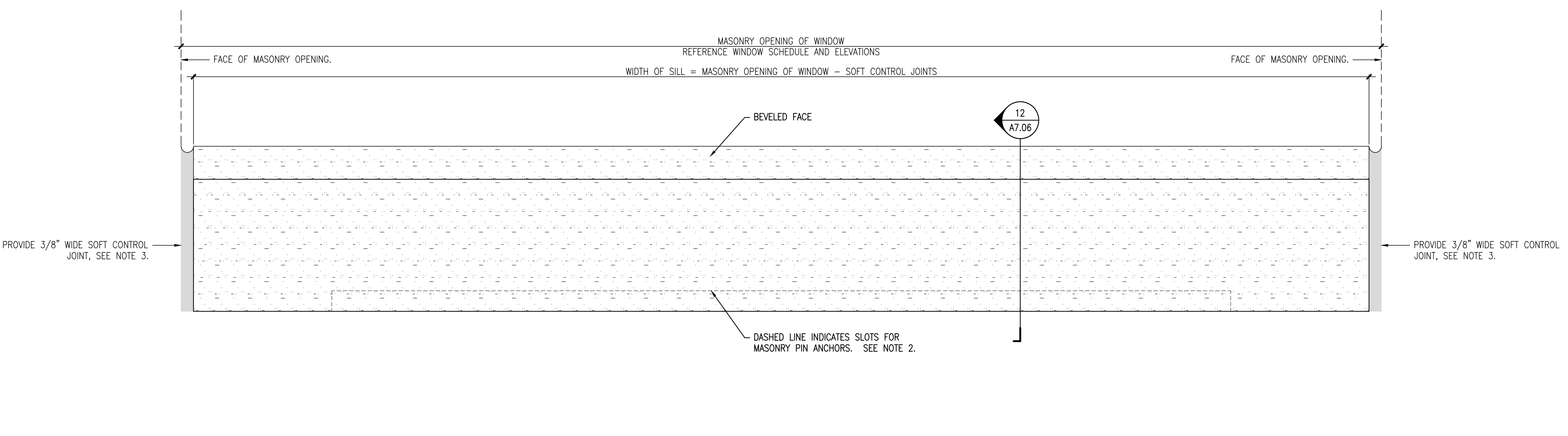
4 PROFILE SECTION @ CAST STONE LINTEL (L-2)
REFERENCED FROM:



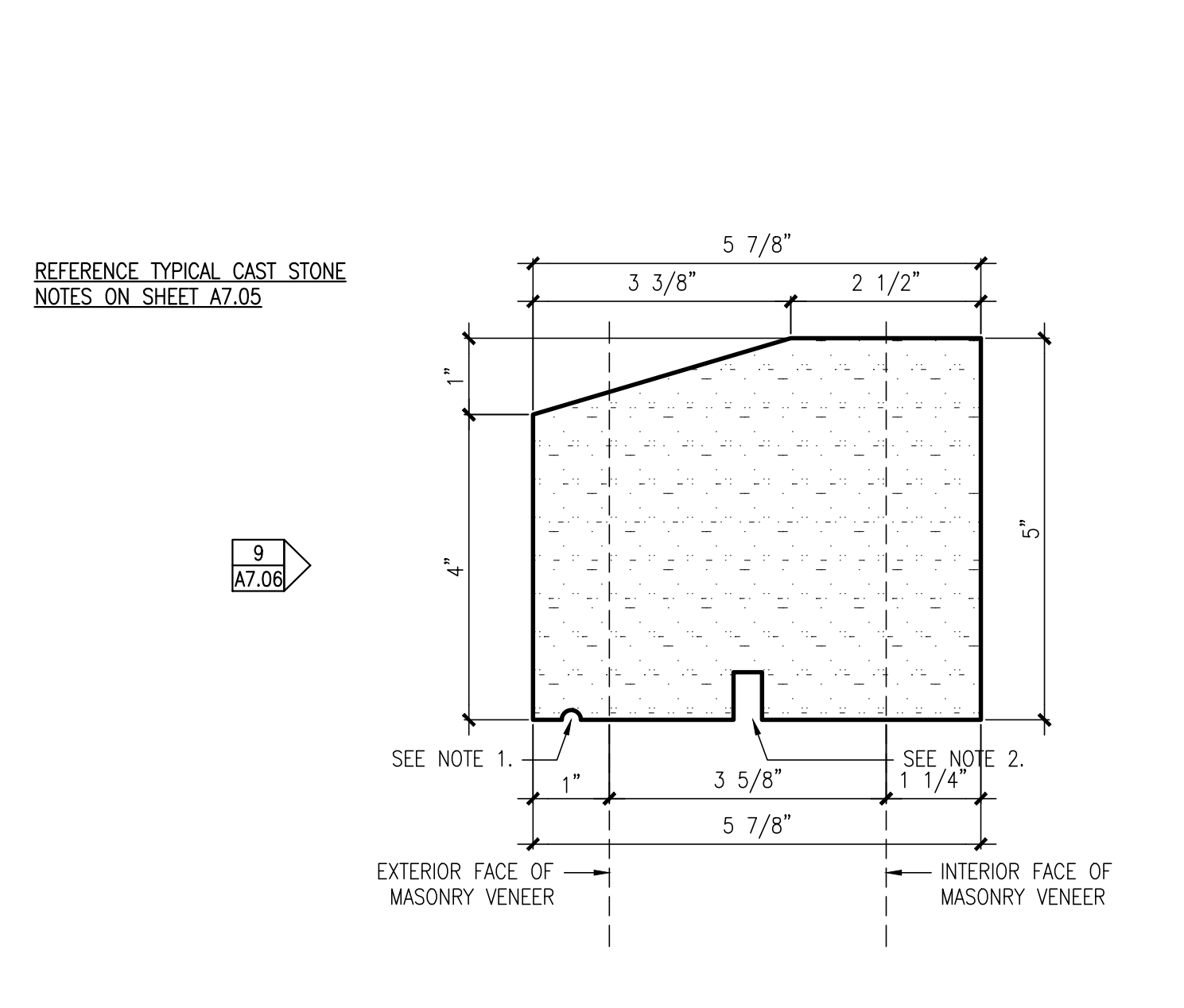
5 PROFILE SECTION @ CAST STONE LINTEL (L-1)
REFERENCED FROM:



8 PROFILE SECTION @ CAST STONE LINTEL (L-1)
REFERENCED FROM:



9 ELEVATION @ CAST STONE SILL (S-1)
REFERENCED FROM:



12 PROFILE SECTION @ CAST STONE SILL (S-1)
REFERENCED FROM:

SCALE: 6" = 1'-0"

CWS
CWS Architects
Architecture
Space Planning
Value Design
434 Cumberland Avenue
Portland, ME 04101
Phone: (207)774-4441
Fax: (207)774-4016
www.CWSarch.com

REGISTERED ARCHITECT
BENEDICT
WILKINSON
NO. 1947
STATE OF MAINE

Owner:
Children's Hospital Housing Partners, LP
309 Cumberland Ave.
Suite 203
Portland, Maine 04101

CONSTRUCTION MANAGER:
WRIGHT-RYAN CONSTRUCTION
10 DANFORTH STREET
PORTLAND, ME 04101
TEL: (207) 773-3625

ELM TERRACE
68 HIGH STREET
PORTLAND, MAINE

Project No: 09428

Drawing Title:
ELEVATIONS AND DETAILS OF LINTELS AND SILLS

Scale: AS NOTED
Date: ISSUED SEPTEMBER 8, 2011

Revisions:
 ▲ MAINE HOUSING CONCEPT SUBMISSION 02-01-2011
 ▲ HISTORIC PRESERVATION SUBMISSION 03-23-2011
 ▲ 50% MAINEHOUSING REVIEW 04-01-2011
 ▲ 90% MAINEHOUSING REVIEW 06-03-2011
 ▲ NPS SUBMISSION 07-01-2011
 ▲ ISSUED SEPTEMBER 8, 2011

Drawing Number:
A7.06

9/8/2011 11:37 AM