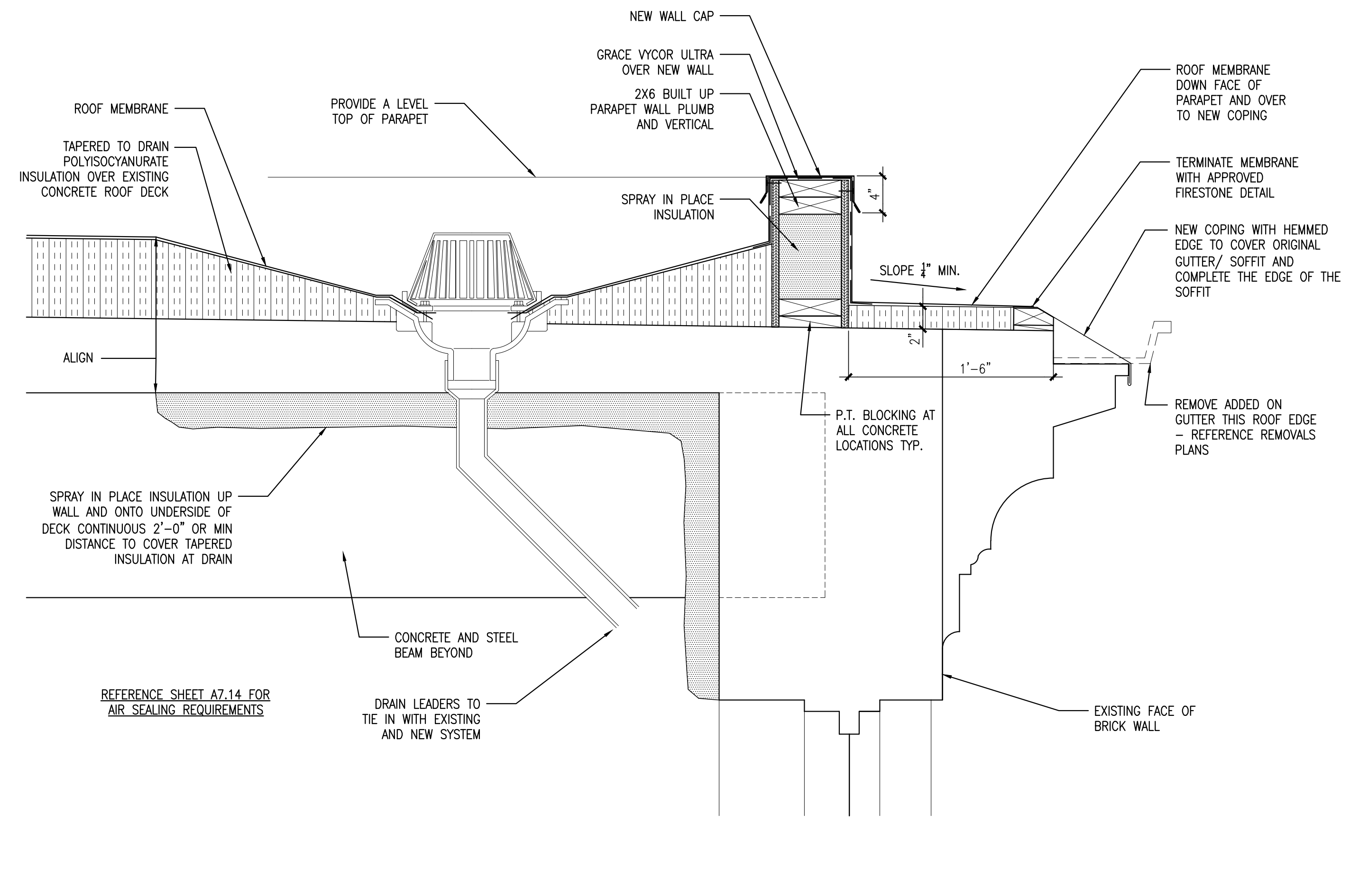


4 ROOF EDGE DETAIL

REFERENCED FROM:

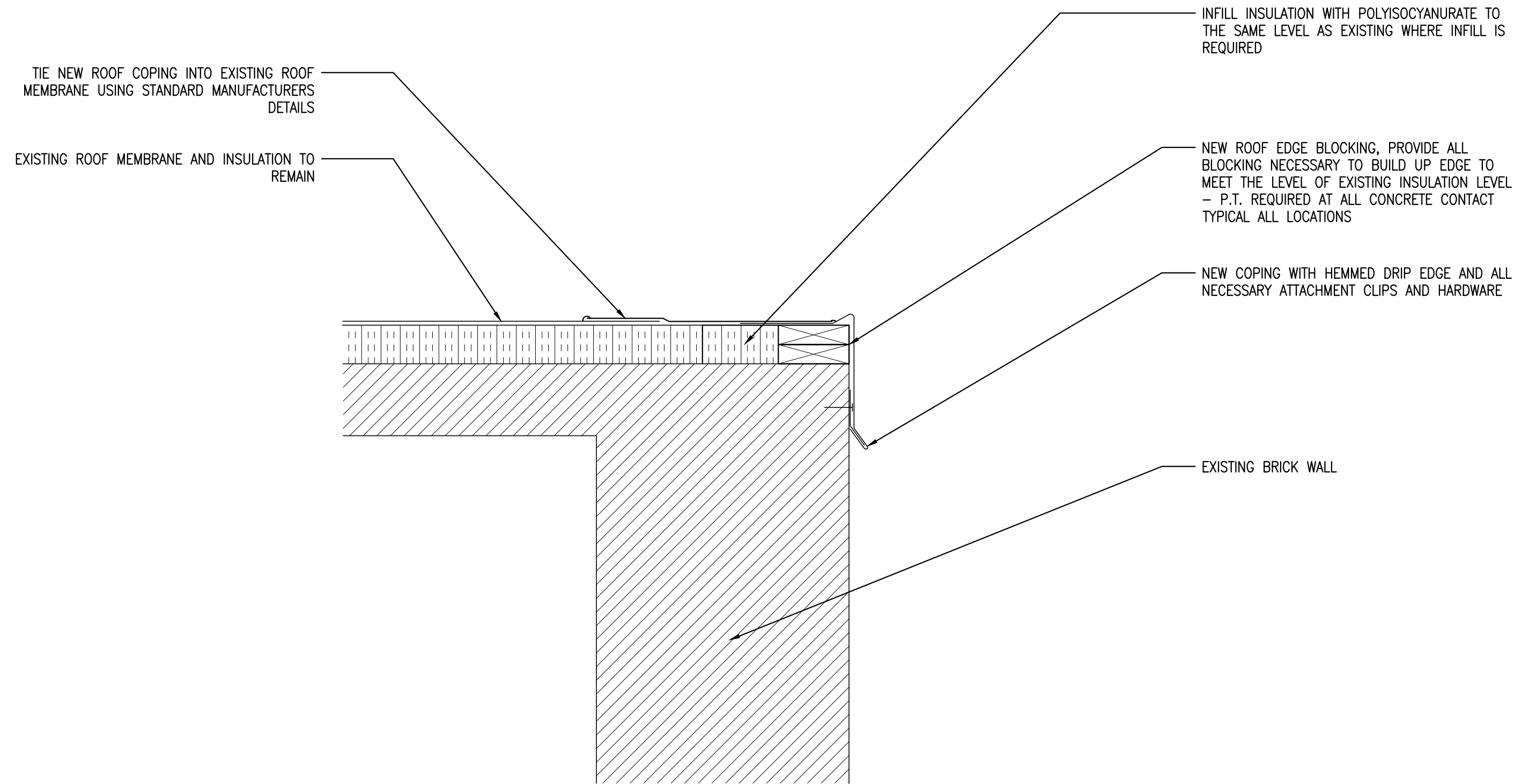
SCALE: 1 1/2" = 1'-0"



2 ROOF EDGE DETAIL

REFERENCED FROM:

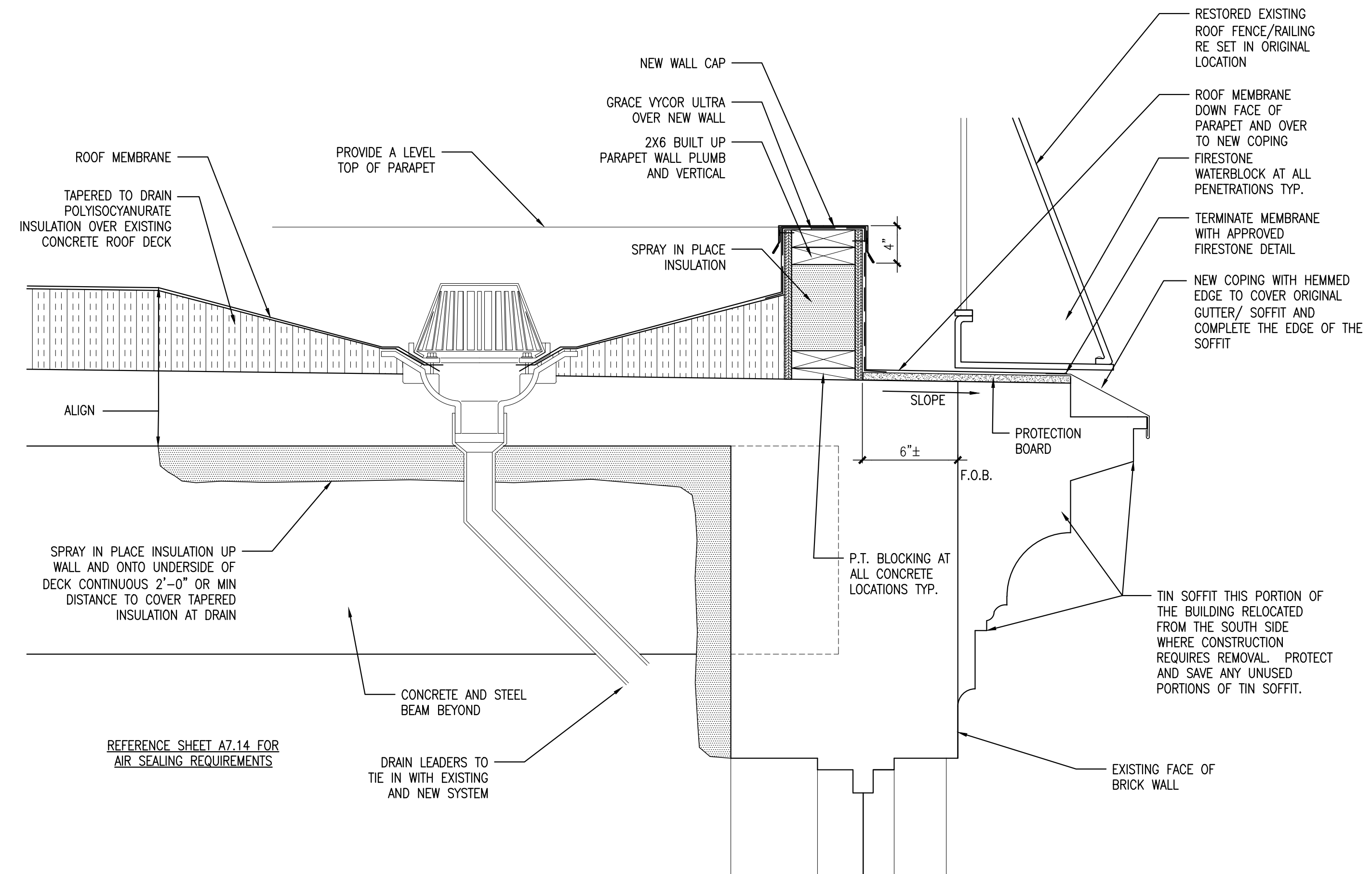
SCALE: 1 1/2" = 1'-0"



3 BOILER ROOM ROOF EDGE DETAIL

REFERENCED FROM:

SCALE: 1 1/2" = 1'-0"



1 ROOF EDGE DETAIL

REFERENCED FROM:

SCALE: 1 1/2" = 1'-0"

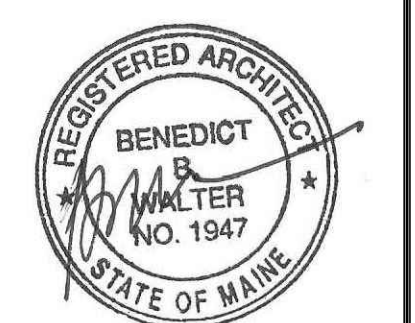


CWS Architects

Architecture
Space Planning
Value Design

434 Cumberland Avenue
Portland, ME 04101
Phone: (207)774-4441
Fax: (207)774-4016

www.CWSarch.com



Owner:

Children's Hospital Housing Partners, LP
309 Cumberland Ave.
Suite 203
Portland, Maine 04101

CONSTRUCTION MANAGER:

WRIGHT-RYAN CONSTRUCTION
10 DANFORTH STREET
PORTLAND, ME 04101
TEL: (201) 773-3625

ELM TERRACE

68 HIGH STREET
PORTLAND, MAINE

Project No: 09428

Drawing Title:
ROOF DETAILS

Scale: AS NOTED

Date: ISSUED SEPTEMBER 8, 2011

Revisions:

- MAINE HOUSING CONCEPT SUBMISSION 02-01-2011
- HISTORIC PRESERVATION SUBMISSION 03-23-2011
- 50% MAINEHOUSING REVIEW 04-01-2011
- 90% MAINEHOUSING REVIEW 06-03-2011
- NPS SUBMISSION 07-01-2011
- ISSUED SEPTEMBER 8, 2011

Drawing Number:

A7.04

9/8/2011 9:45 PM