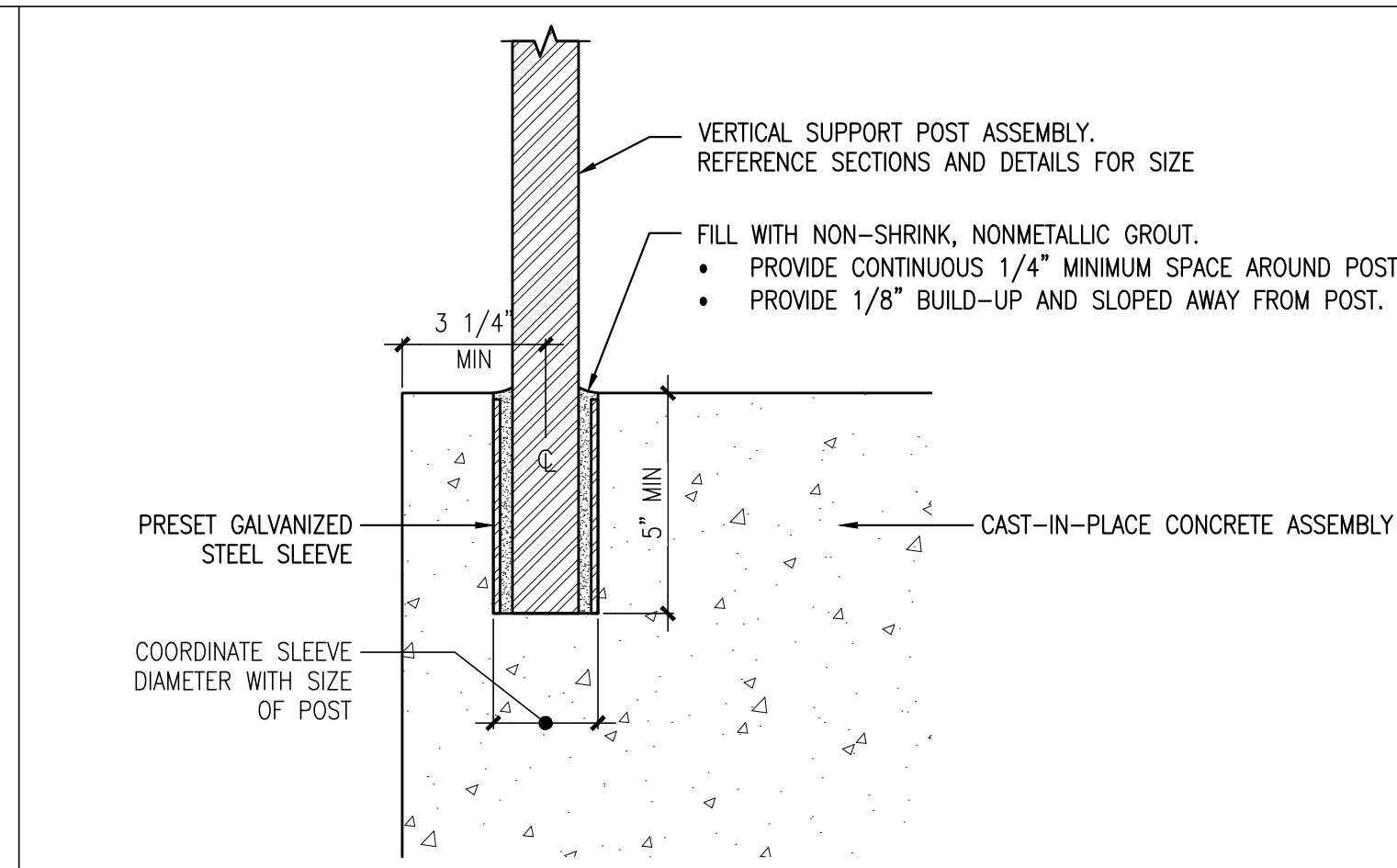
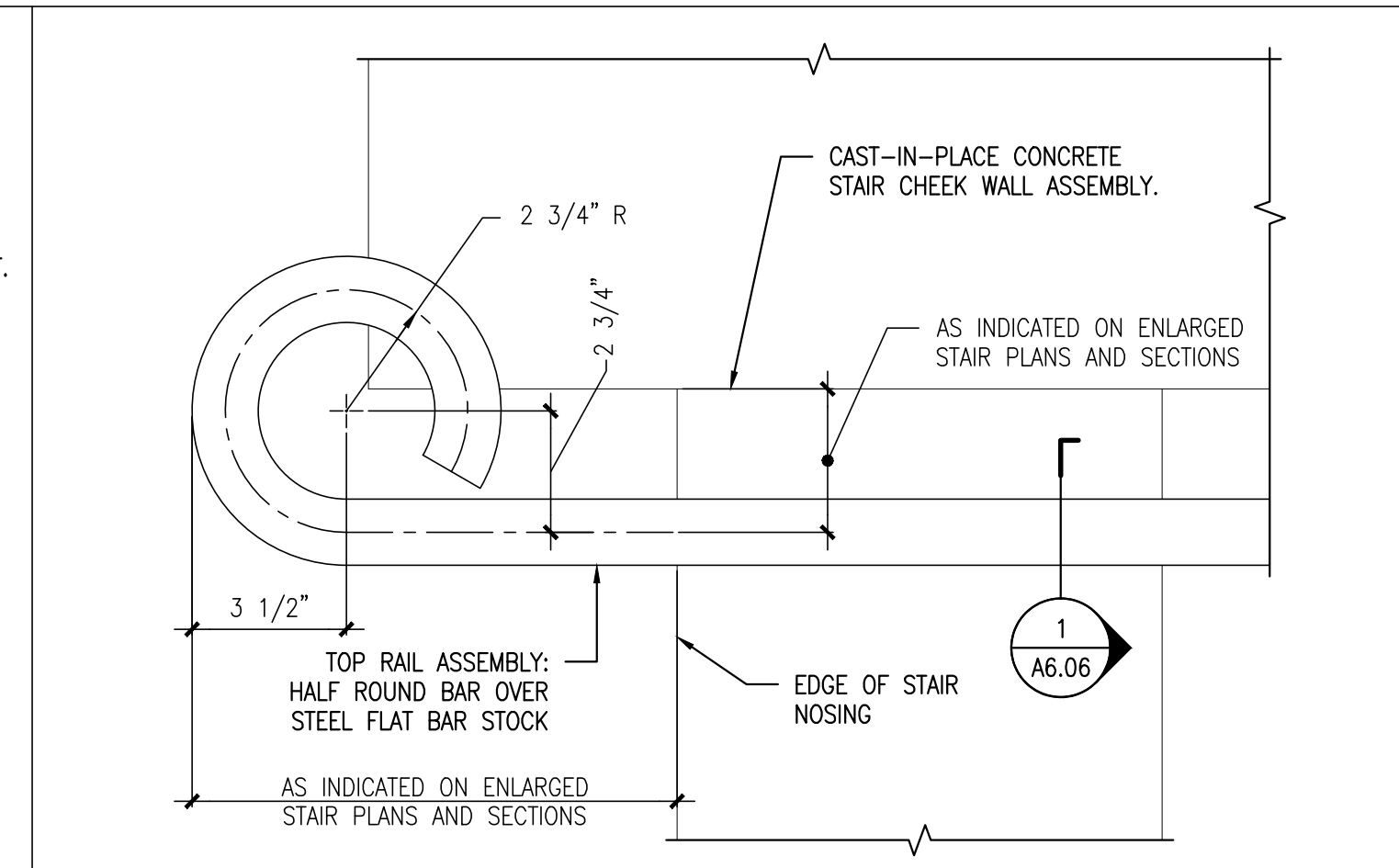


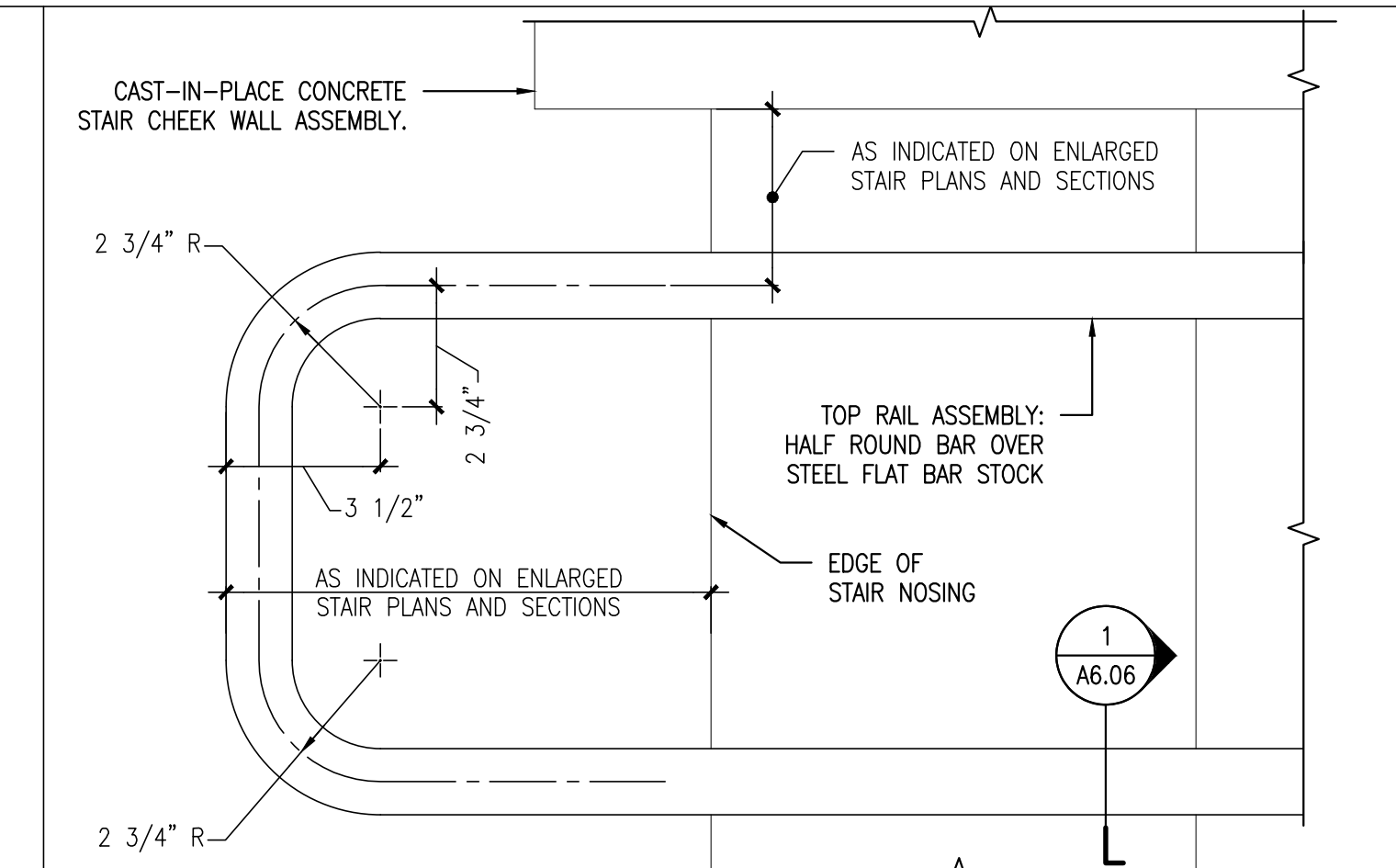
**1** CAP DETAIL @ HANDRAIL ASSEMBLY  
 REFERENCED FROM: SCALE: 1" = 1'-0"



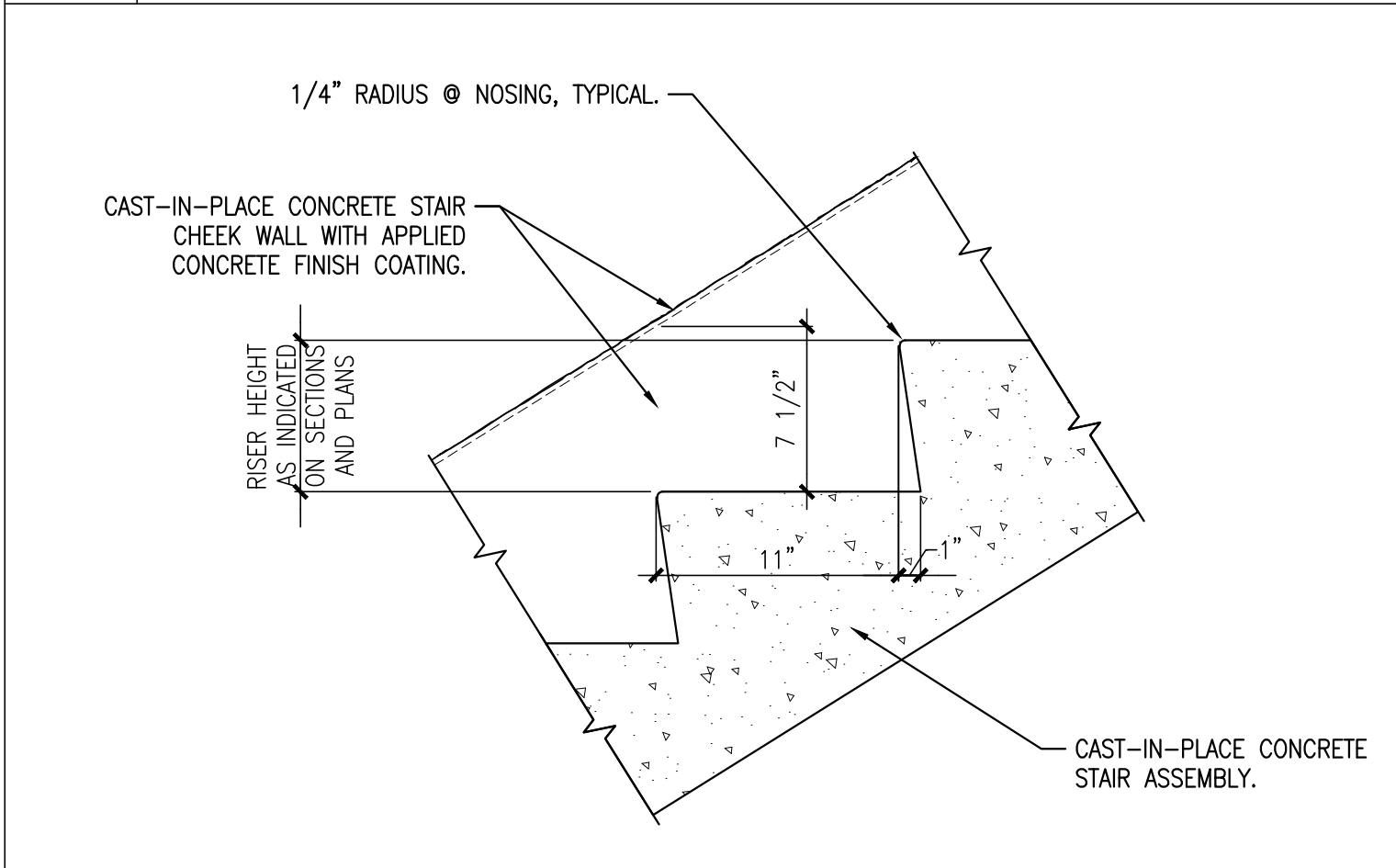
**2** POST SLEEVE DETAIL @ EXTERIOR STAIR #3  
 REFERENCED FROM: SCALE: 3" = 1'-0"



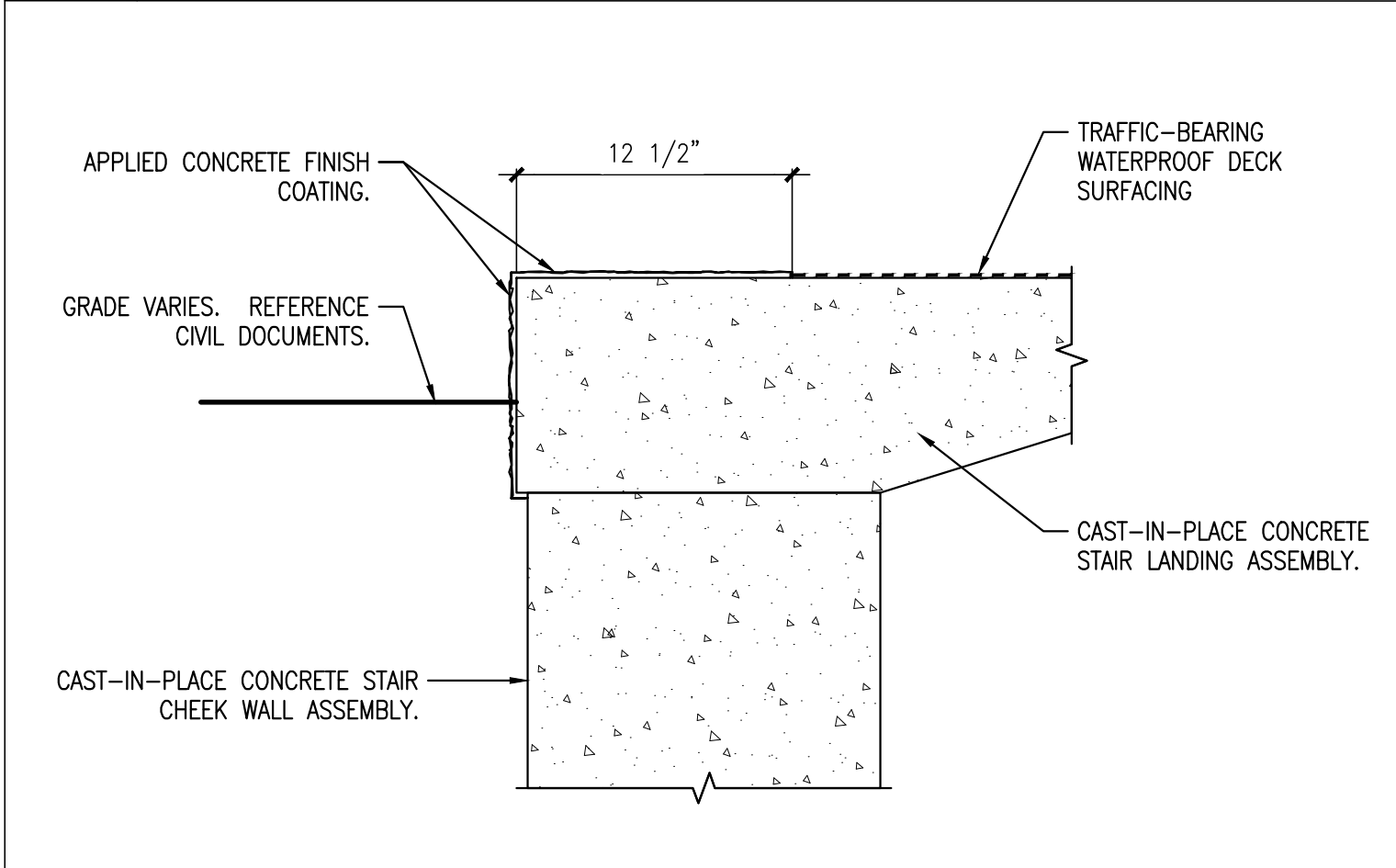
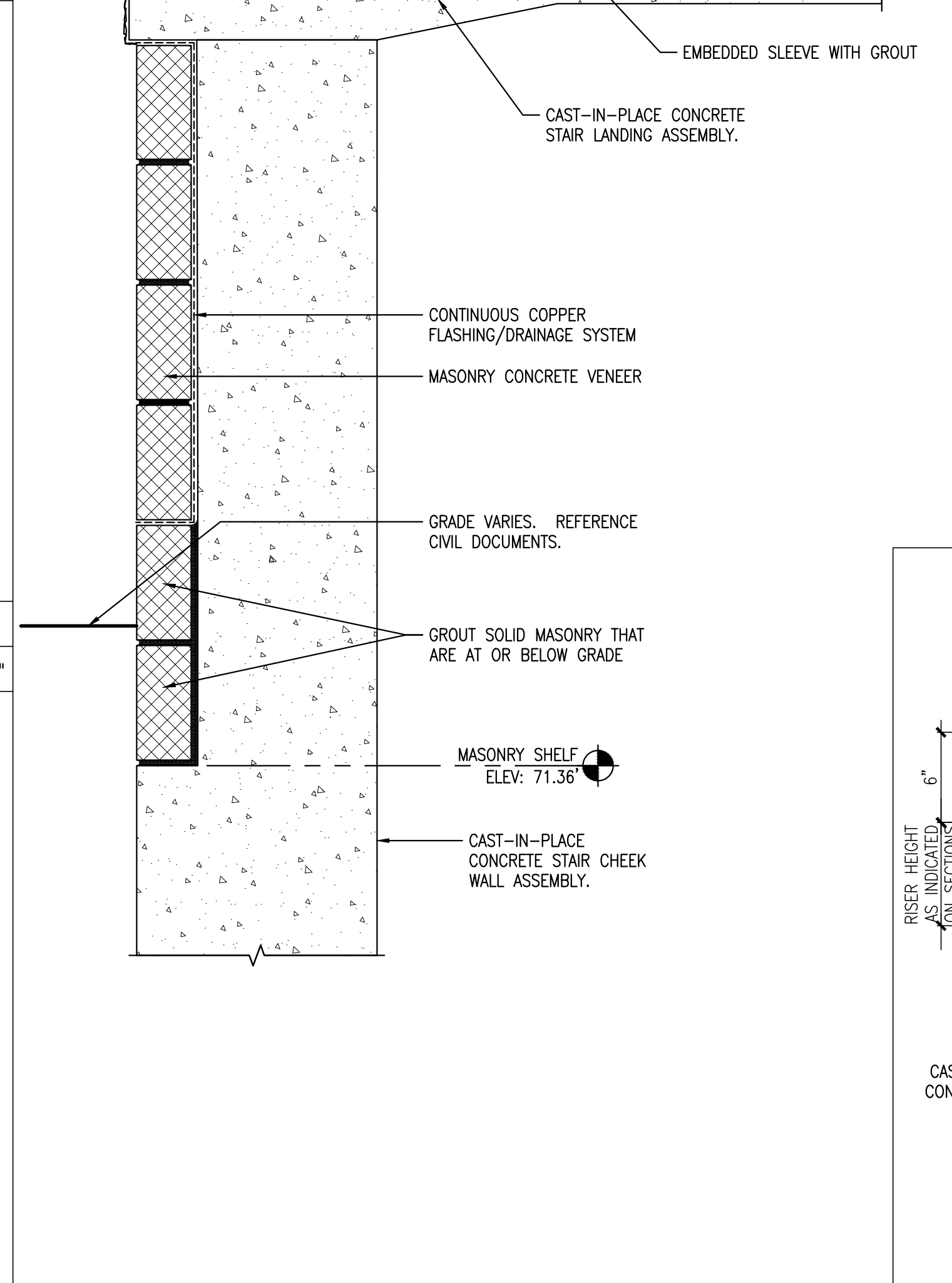
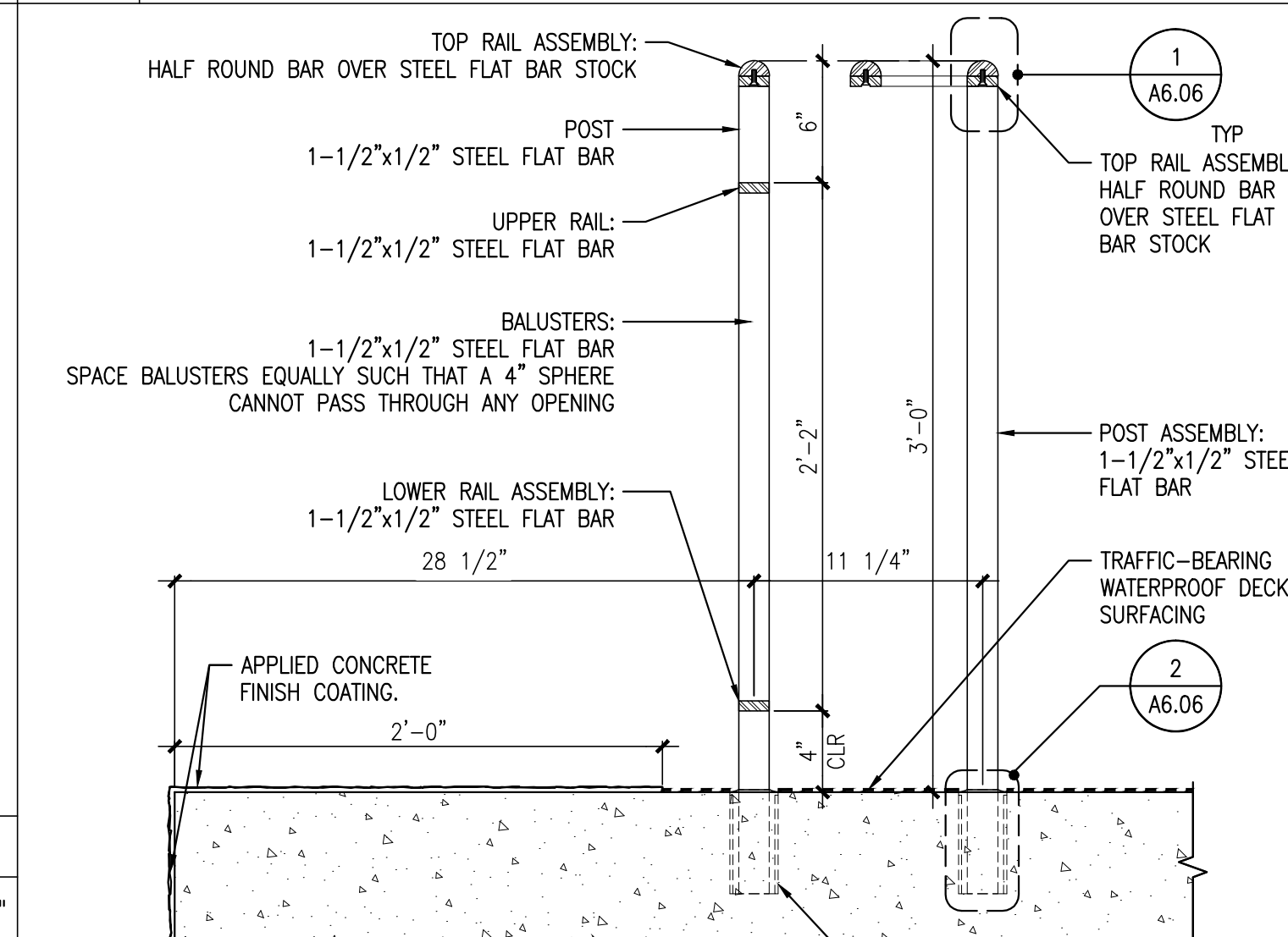
**3** HANDRAIL RETURN DETAIL @ EXT. STAIR #3  
 REFERENCED FROM: SCALE: 3" = 1'-0"



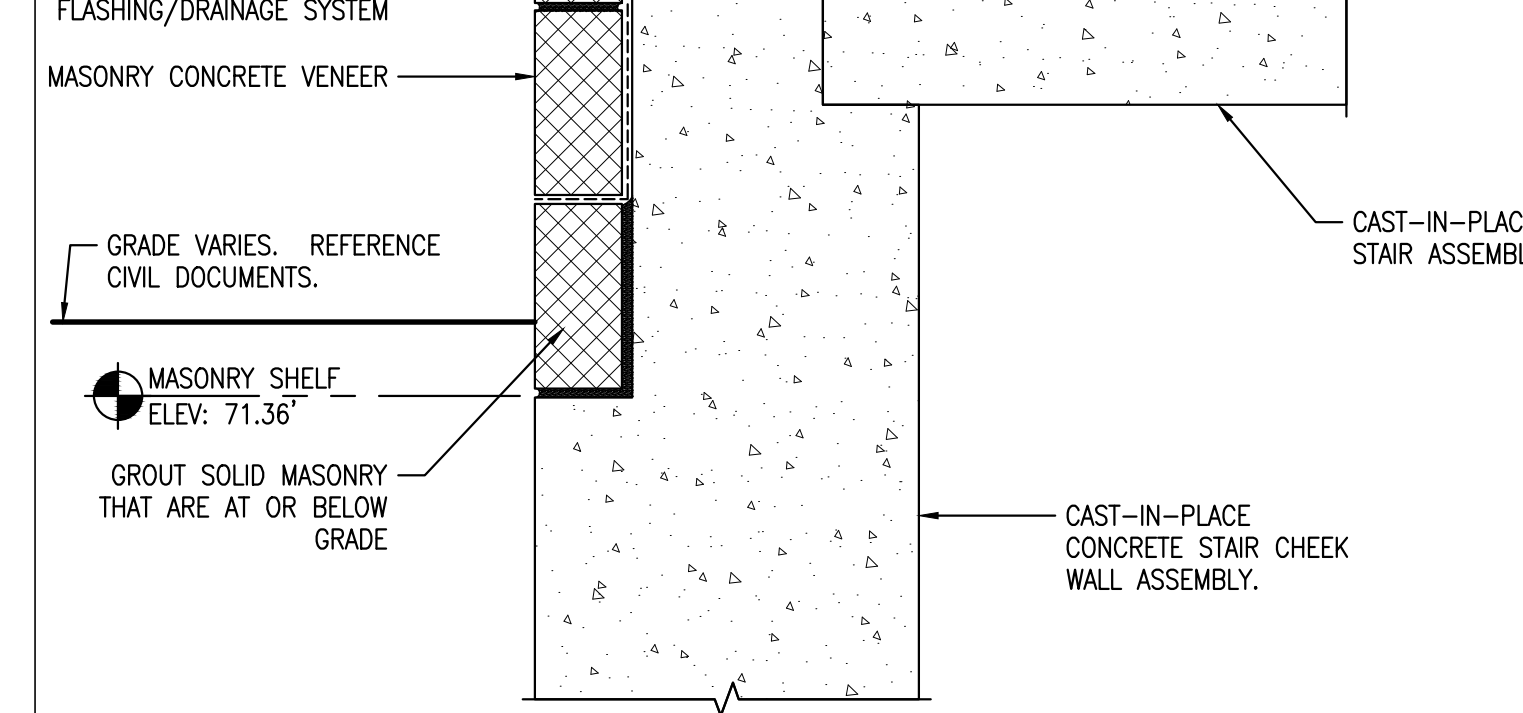
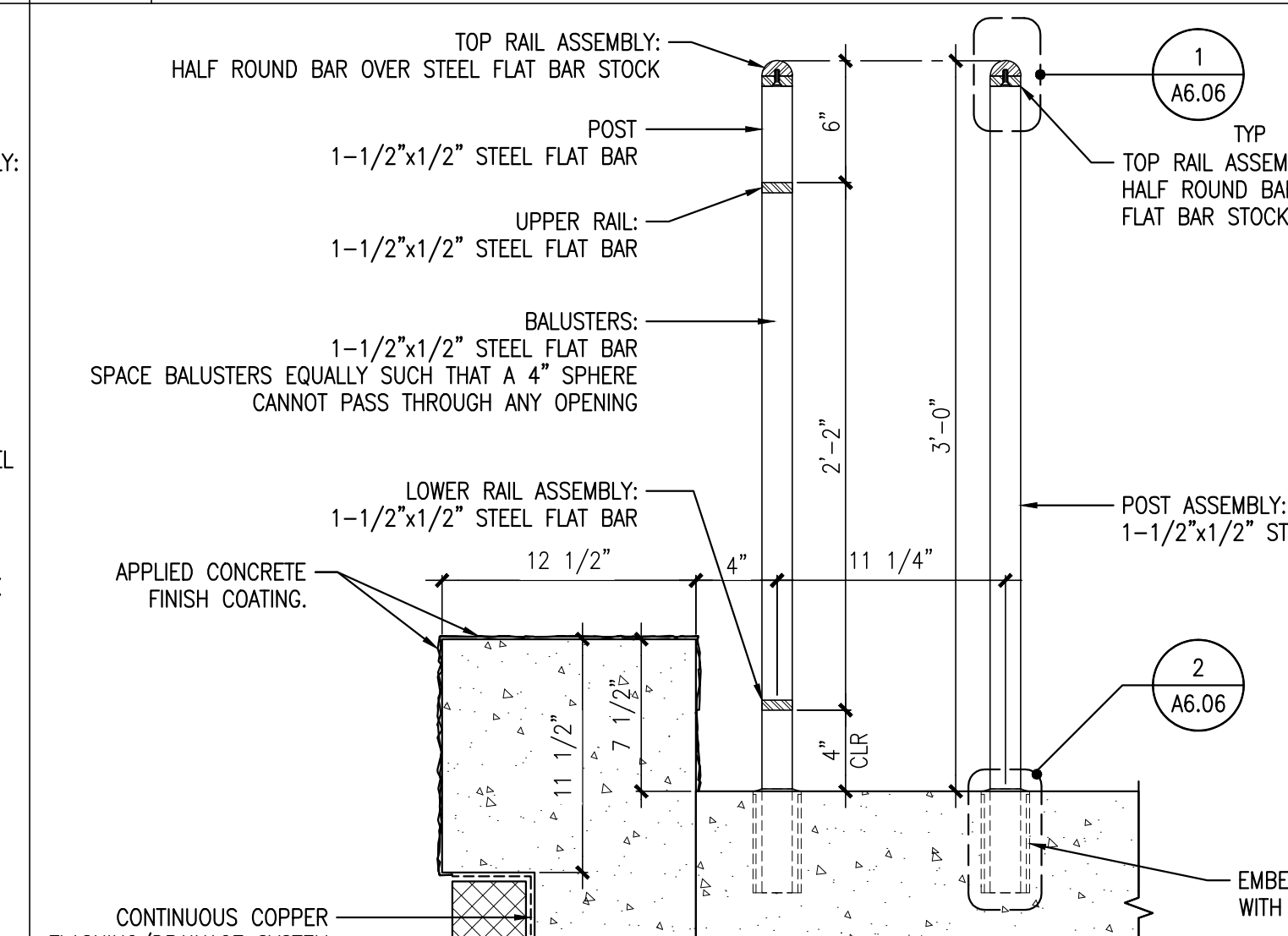
**4** HANDRAIL & GUARDRAIL DETAIL @ EXTERIOR STAIR #3  
 REFERENCED FROM: SCALE: 1 1/2" = 1'-0"



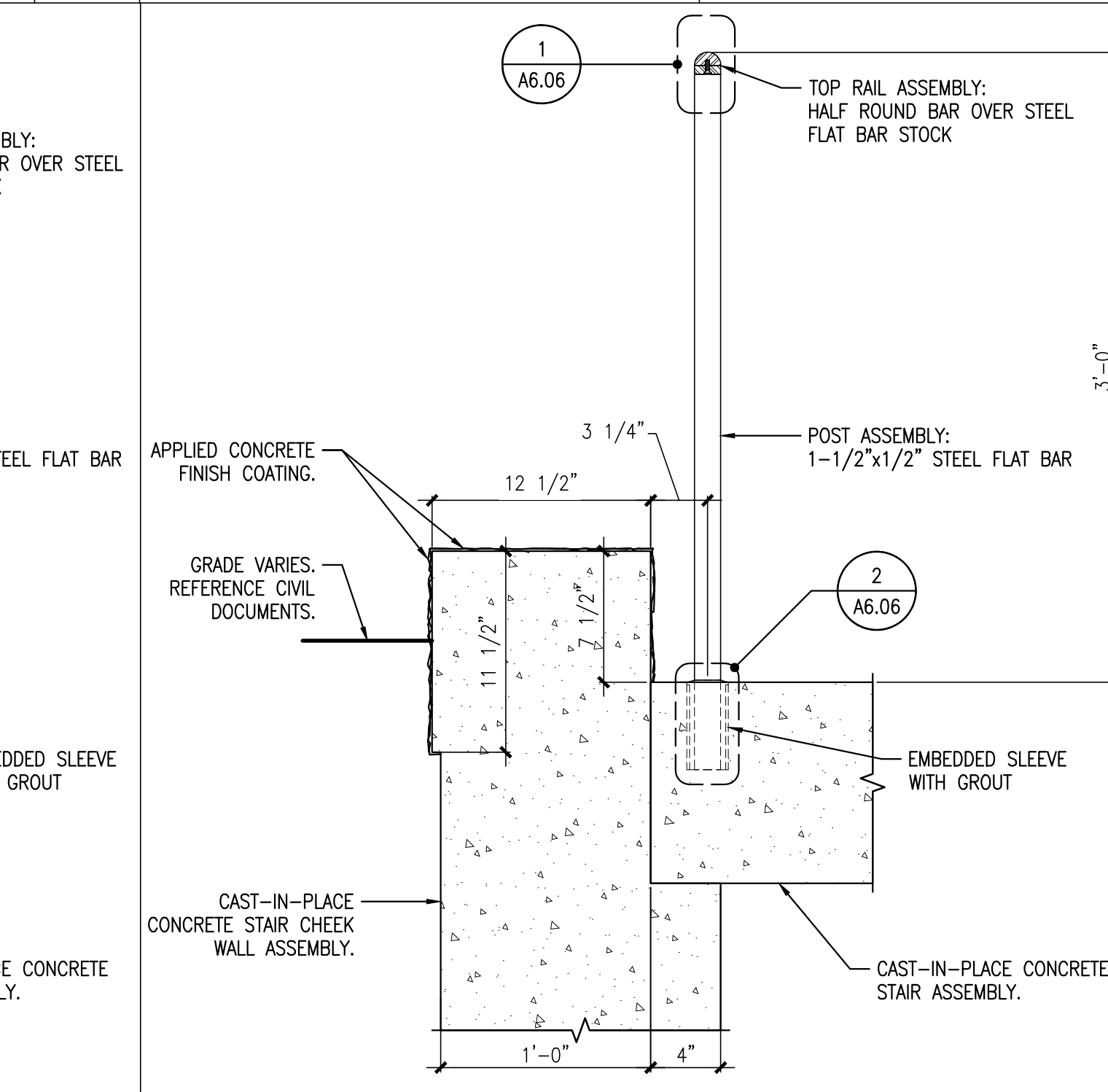
**5** TYPICAL DETAIL @ STAIR TREAD/RISER  
 REFERENCED FROM: SCALE: 1 1/2" = 1'-0"



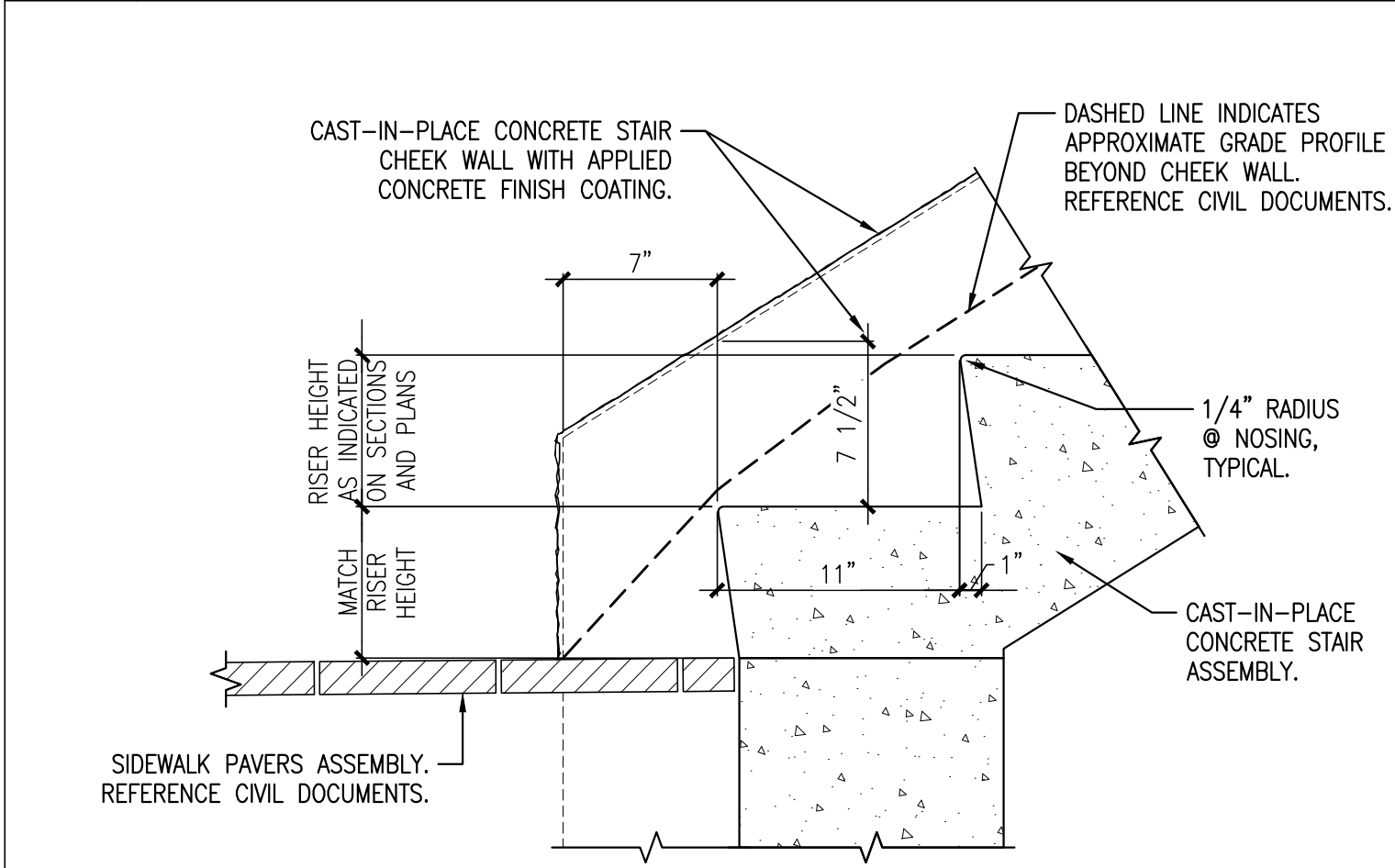
**9** LANDING DETAIL @ EXTERIOR STAIR #3  
 REFERENCED FROM: SCALE: 1 1/2" = 1'-0"



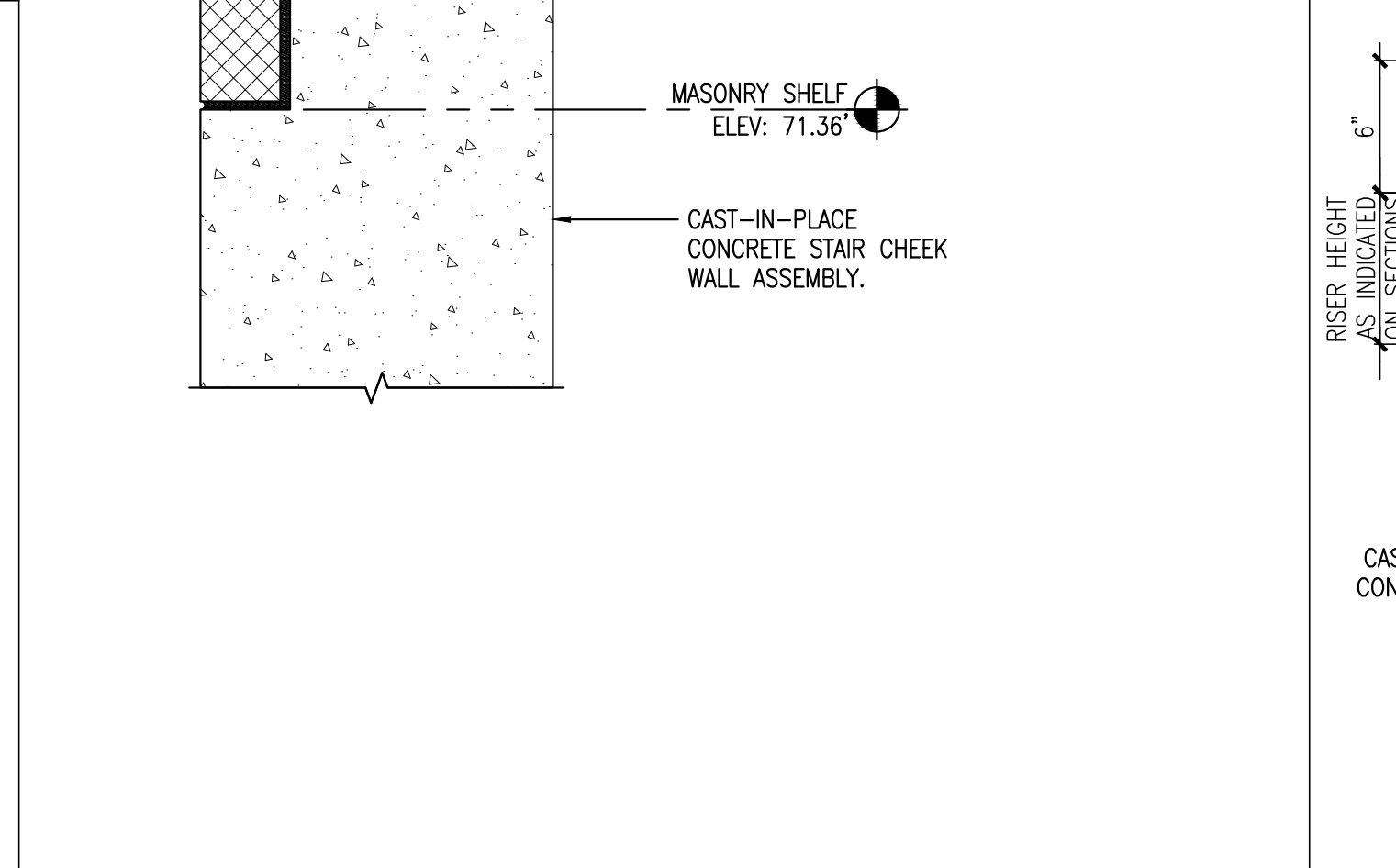
**11** HANDRAIL RETURN DETAIL @ EXTERIOR STAIR #3  
 REFERENCED FROM: SCALE: 3" = 1'-0"



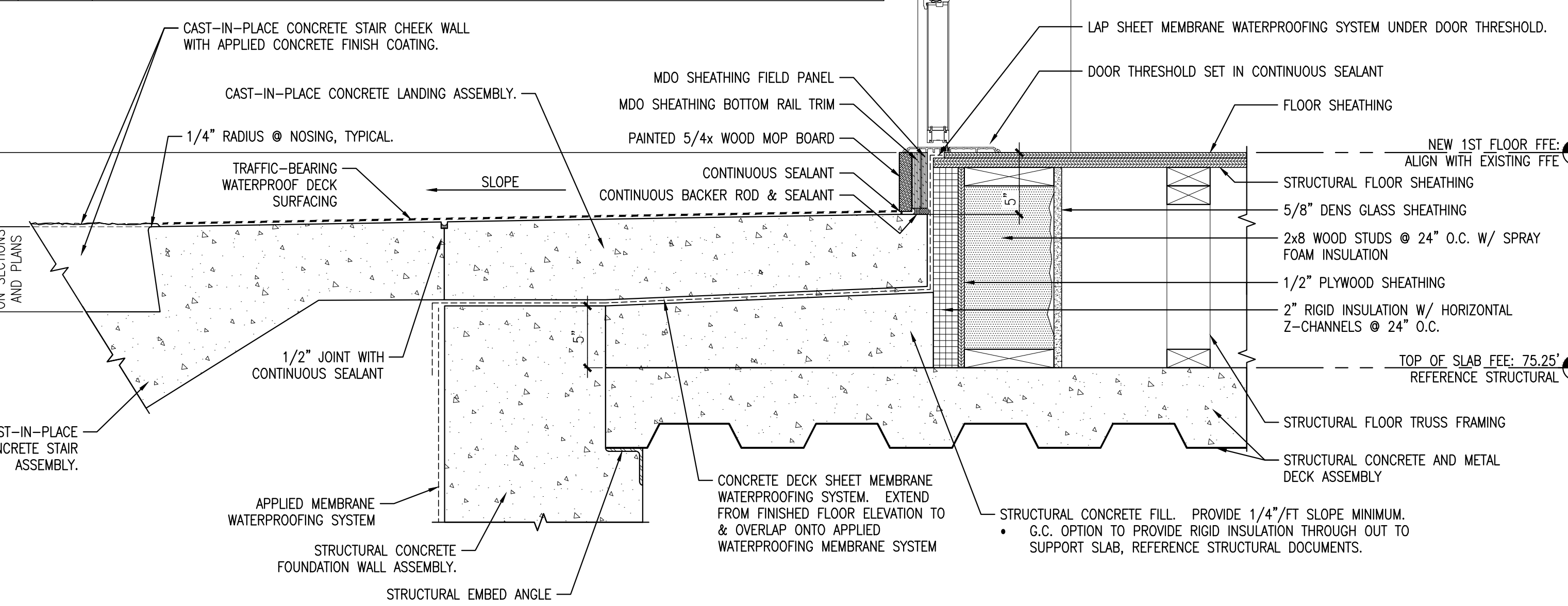
**8** LANDING DETAIL @ EXTERIOR STAIR #3  
 REFERENCED FROM: SCALE: 1 1/2" = 1'-0"



**13** BASE OF STAIR DETAIL @ EXTERIOR STAIR #3  
 REFERENCED FROM: SCALE: 1 1/2" = 1'-0"



**14** HANDRAIL & GUARDRAIL DETAIL @ EXTR STAIR #3 LANDING  
 REFERENCED FROM: SCALE: 1 1/2" = 1'-0"



**15** ENTRY LANDING DETAIL @ EXTERIOR STAIR #3  
 REFERENCED FROM: SCALE: 1 1/2" = 1'-0"

**CWS**  
**CWS Architects**  
 Architecture  
 Space Planning  
 Value Design  
 434 Cumberland Avenue  
 Portland, ME 04101  
 Phone: (207)774-4441  
 Fax: (207)774-4016  
 www.CWSarch.com

REGISTERED ARCHITECT  
 BENEDICT  
 WALKER  
 NO. 1947  
 STATE OF MAINE

Owner:  
**Children's Hospital Housing Partners, LP**  
 309 Cumberland Ave.  
 Suite 203  
 Portland, Maine 04101  
 CONSTRUCTION MANAGER:  
**WRIGHT-RYAN CONSTRUCTION**  
 10 DANFORTH STREET  
 PORTLAND, ME 04101  
 TEL: (207) 773-3625

**ELM TERRACE**  
 68 HIGH STREET  
 PORTLAND, MAINE

Project No: 09428  
 Drawing Title:  
**STAIR SECTIONS & DETAILS - EXTERIOR STAIR #3**  
 Scale: AS NOTED  
 Date: ISSUED SEPTEMBER 8, 2011  
 Revisions:  
 MAINE HOUSING CONCEPT SUBMISSION 02-01-2011  
 HISTORIC PRESERVATION SUBMISSION 03-23-2011  
 50% MANHOUSING REVIEW 04-01-2011  
 90% MANHOUSING REVIEW 06-03-2011  
 NPS SUBMISSION 07-01-2011  
 ISSUED SEPTEMBER 8, 2011  
 Drawing Number:  
**A6.06**