

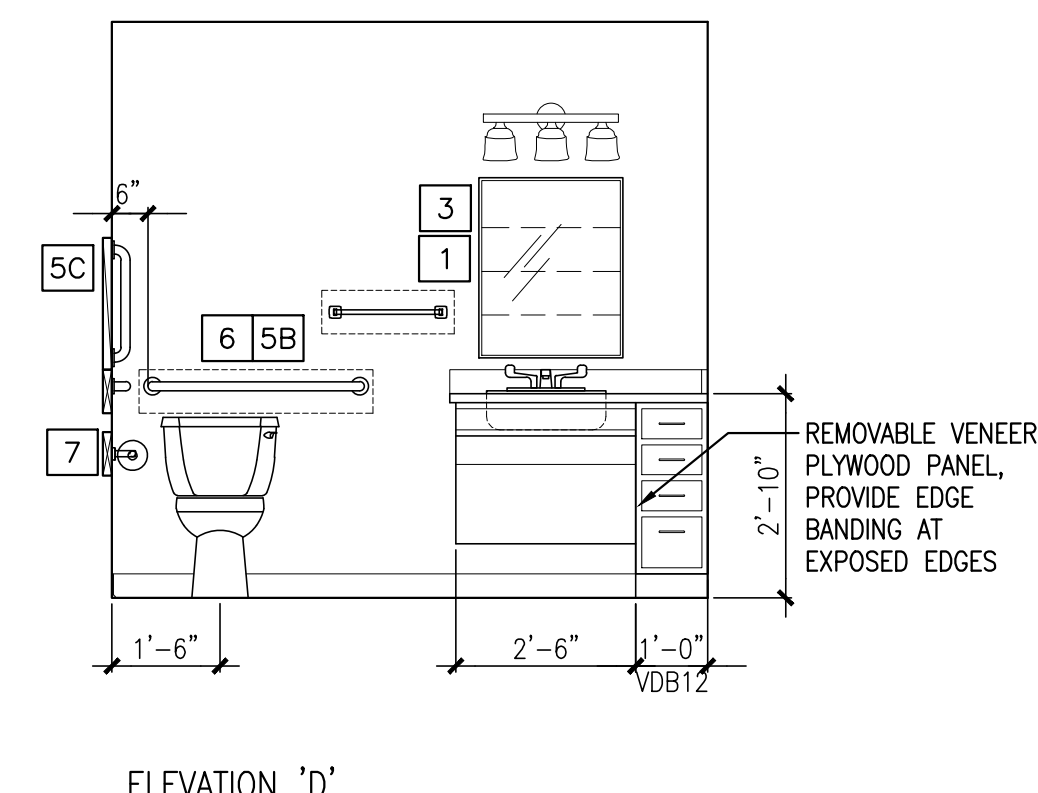
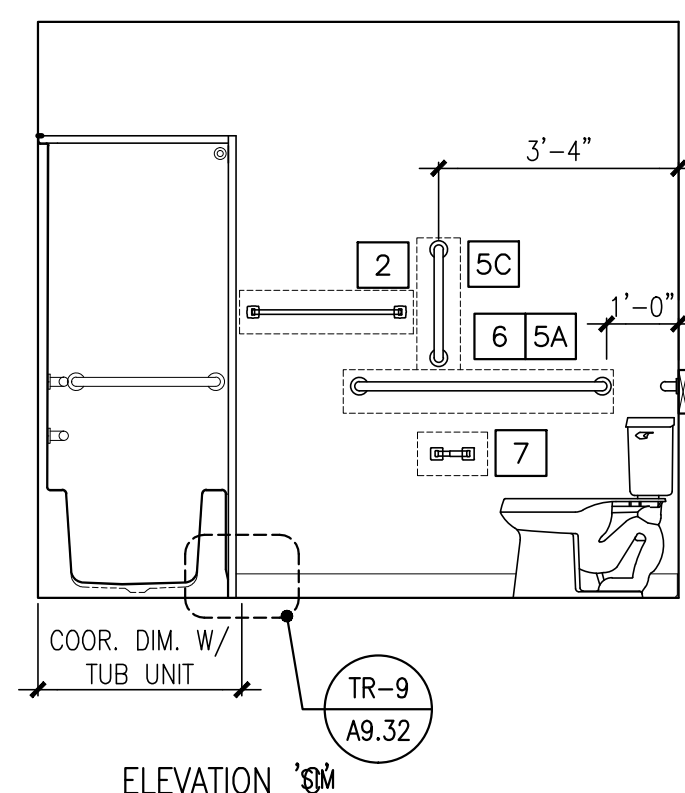
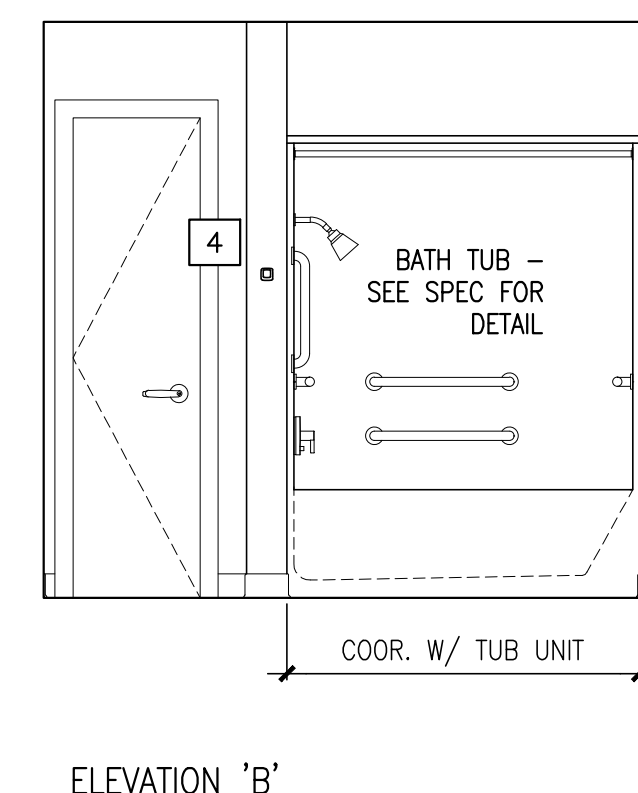
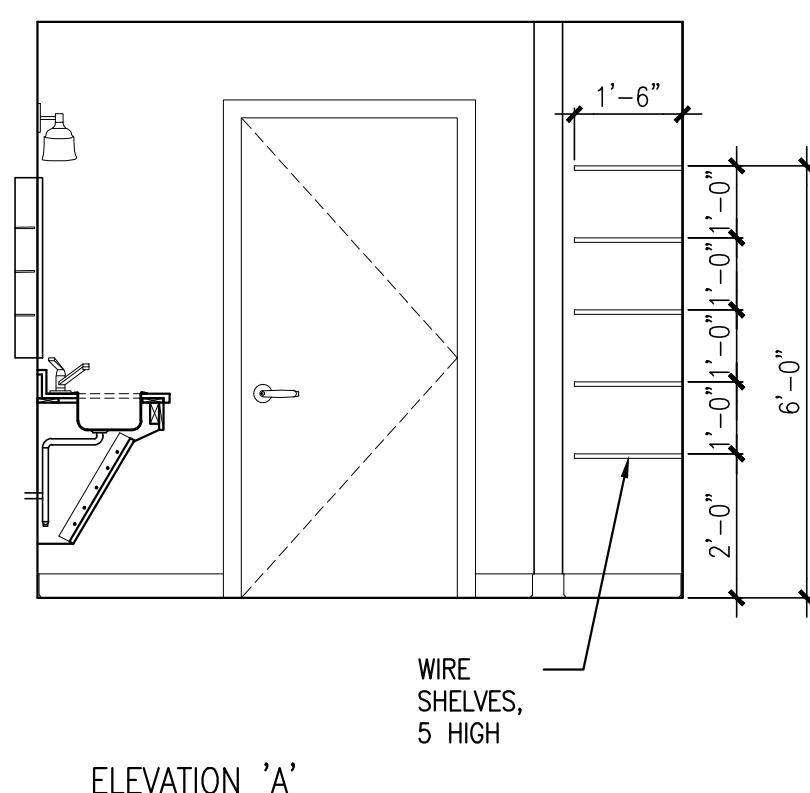
NOTES:
 1. VERIFY OVERALL KITCHEN DIMENSIONS PRIOR TO PREPARING SHOP DRAWINGS.
 2. PROVIDE FINISH FLOORING, WALL BASE AND FINISH WALL AT ALL REMOVABLE CABINETS.

1 KITCHEN ELEVATIONS

REFERENCED FROM: FLOOR PLANS

SCALE: 3/8" = 1'-0"

NOTE: REFER TO 3/A1.21 FOR BATHROOM ACCESSORY LEGEND AND NOTES.

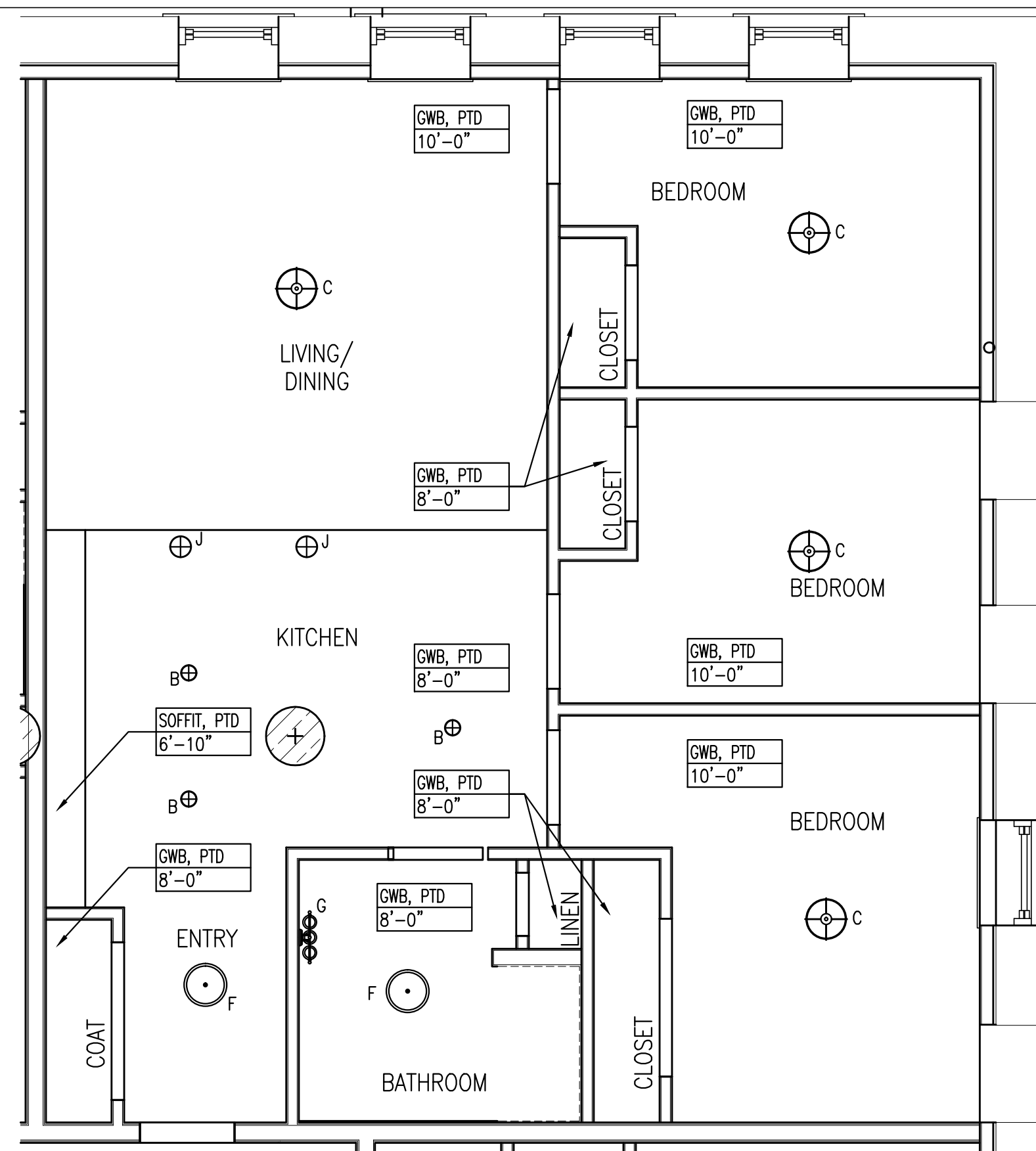


NOTE:
 1. REFER TO A9.32 FOR TRANSITION DETAILS (TR)
 2. ROOM DIMENSIONS AND SQUARE FOOTAGES ARE INFORMATIONAL ONLY AND SHALL NOT BE USED FOR CONSTRUCTION PURPOSES.
 3. ROOM DIMENSIONS ARE FROM FACE OF FINISH WALL TO FACE OF FINISHED WALL.

2 BATHROOM ELEVATIONS

REFERENCED FROM: FLOOR PLANS

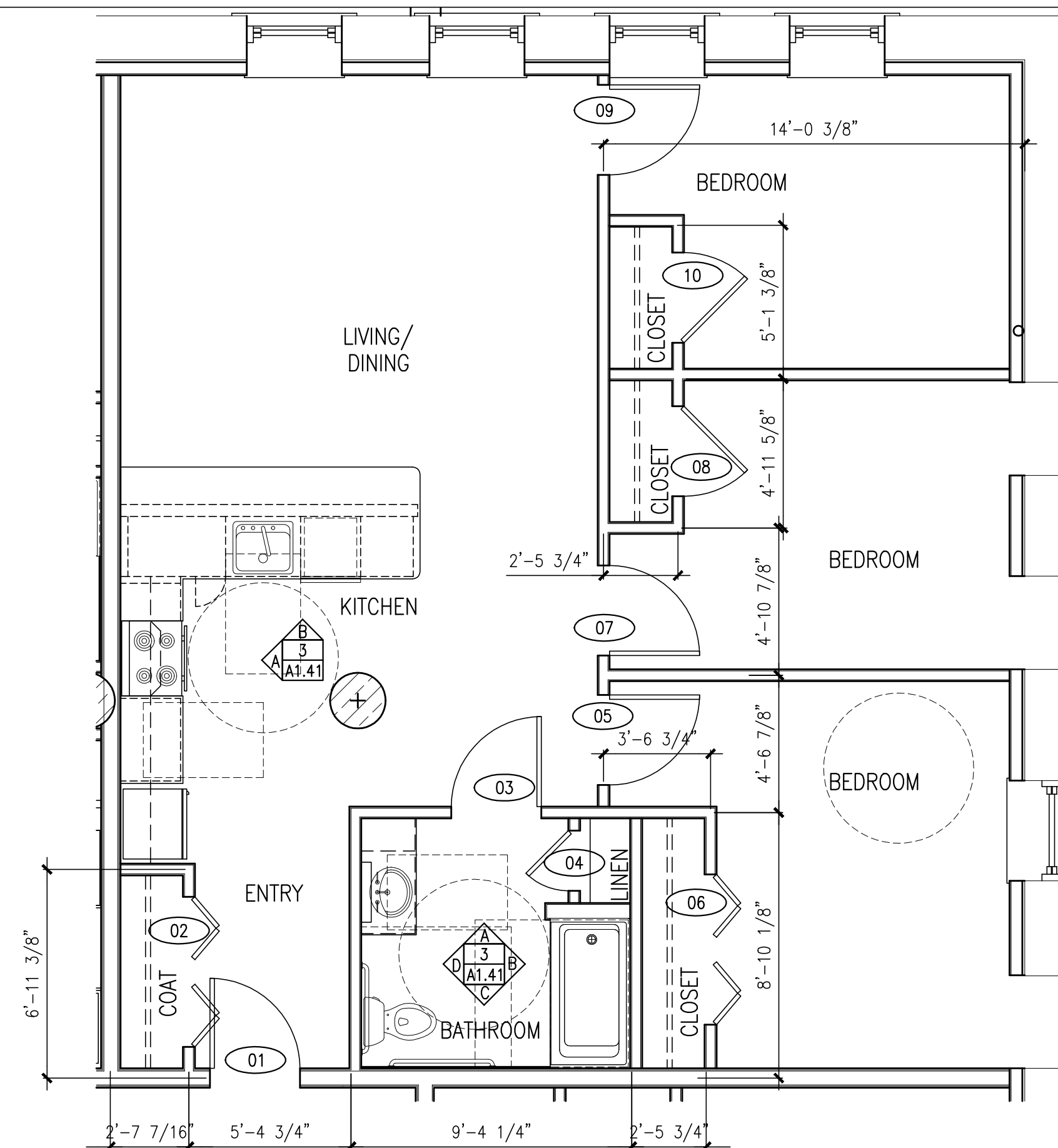
SCALE: 3/8" = 1'-0"



A UNIT TYPE 3A-HC-1 - REFLECTED CEILING PLAN

REFERENCED FROM: UNIT 109

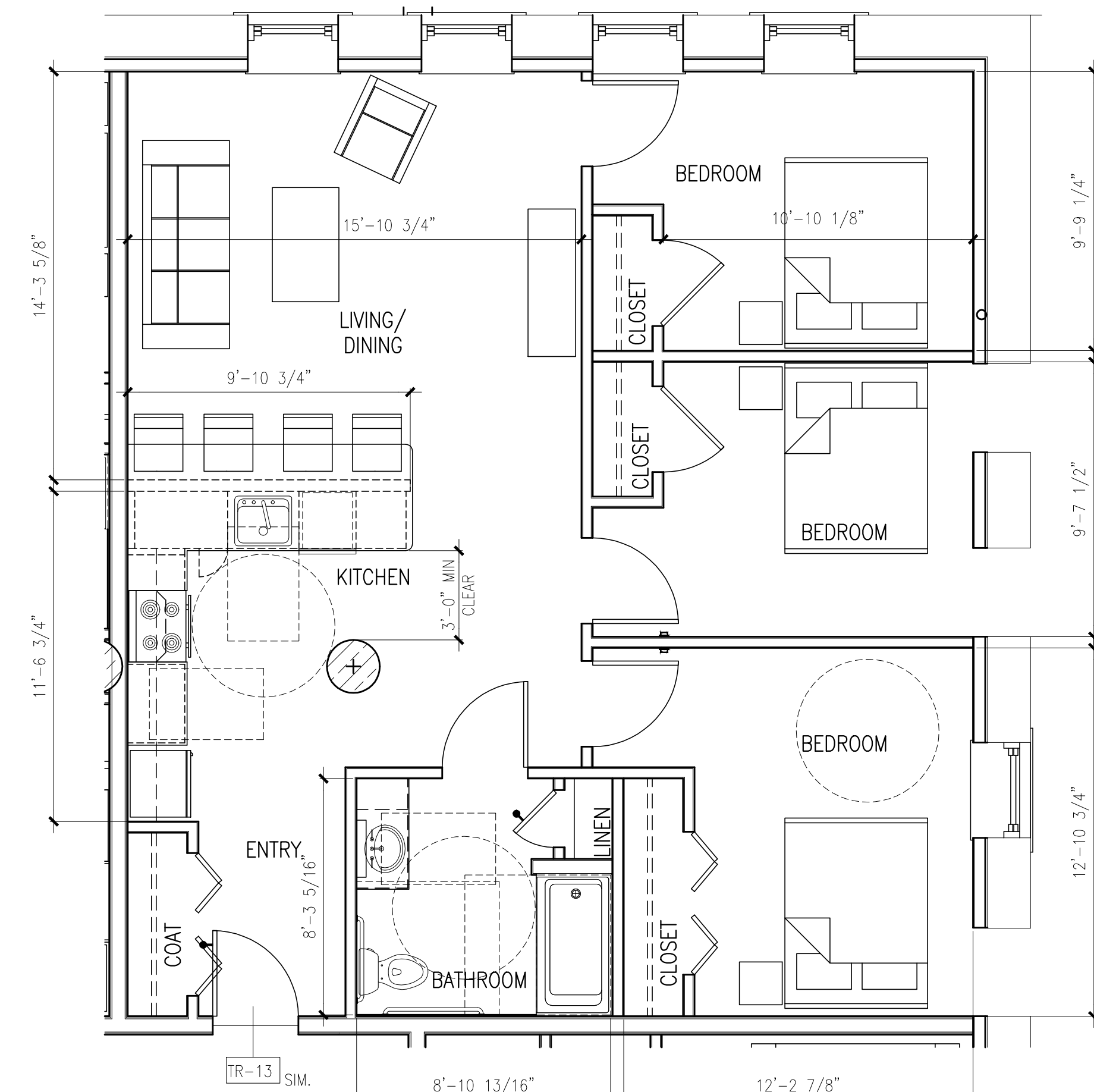
SCALE: 1/4" = 1'-0"



B UNIT TYPE 3A-HC-1 - DIMENSIONAL PLAN

REFERENCED FROM: UNIT 109

SCALE: 1/4" = 1'-0"



C UNIT TYPE 3A-HC-1 - LAYOUT FLOOR PLAN

REFERENCED FROM: UNIT 109

SCALE: 1/4" = 1'-0"

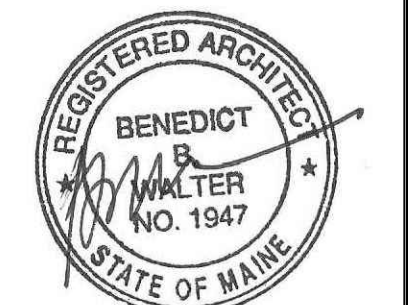


CWS Architects

Architecture
 Space Planning
 Value Design

434 Cumberland Avenue
 Portland, ME 04101
 Phone: (207)774-4441
 Fax: (207)774-4016

www.CWSarch.com



Owner:

**Children's
 Hospital Housing
 Partners, LP**
 309 Cumberland Ave.
 Suite 203
 Portland, Maine 04101

CONSTRUCTION MANAGER:

**WRIGHT-RYAN
 CONSTRUCTION**
 10 DANFORTH STREET
 PORTLAND, ME 04101
 TEL: (207) 773-3625

**ELM
 TERRACE**

68 HIGH STREET
 PORTLAND, MAINE

Project No: 09428

Drawing Title:

**TYPE 3A-HC-1
 FLOOR PLANS,
 RCP, INT. ELEVS**

Scale: AS NOTED

Date: ISSUED SEPTEMBER 8, 2011

Revisions:

- ▲ MAINE HOUSING CONCEPT SUBMISSION 02-01-2011
- ▲ HISTORIC PRESERVATION SUBMISSION 03-23-2011
- ▲ 50% MANEHOUSING REVIEW 04-01-2011
- ▲ 90% MANEHOUSING REVIEW 06-03-2011
- ▲ NPS SUBMISSION 07-01-2011
- ▲ ISSUED SEPTEMBER 8, 2011

Drawing Number:

A1.41