

Owner:
Children's Hospital Housing Partners, LP
309 Cumberland Ave.
Suite 203
Portland, Maine 04101

CONSTRUCTION MANAGER:
WRIGHT-RYAN CONSTRUCTION
10 DANFORTH STREET
PORTLAND, ME 04101
TEL: (201) 773-3625

ELM TERRACE

68 HIGH STREET
PORTLAND, MAINE

Project No: 09428

Drawing Title:

TYPE 1B-3 FLOOR PLANS, RCP, INT. ELEVS

Scale: AS NOTED

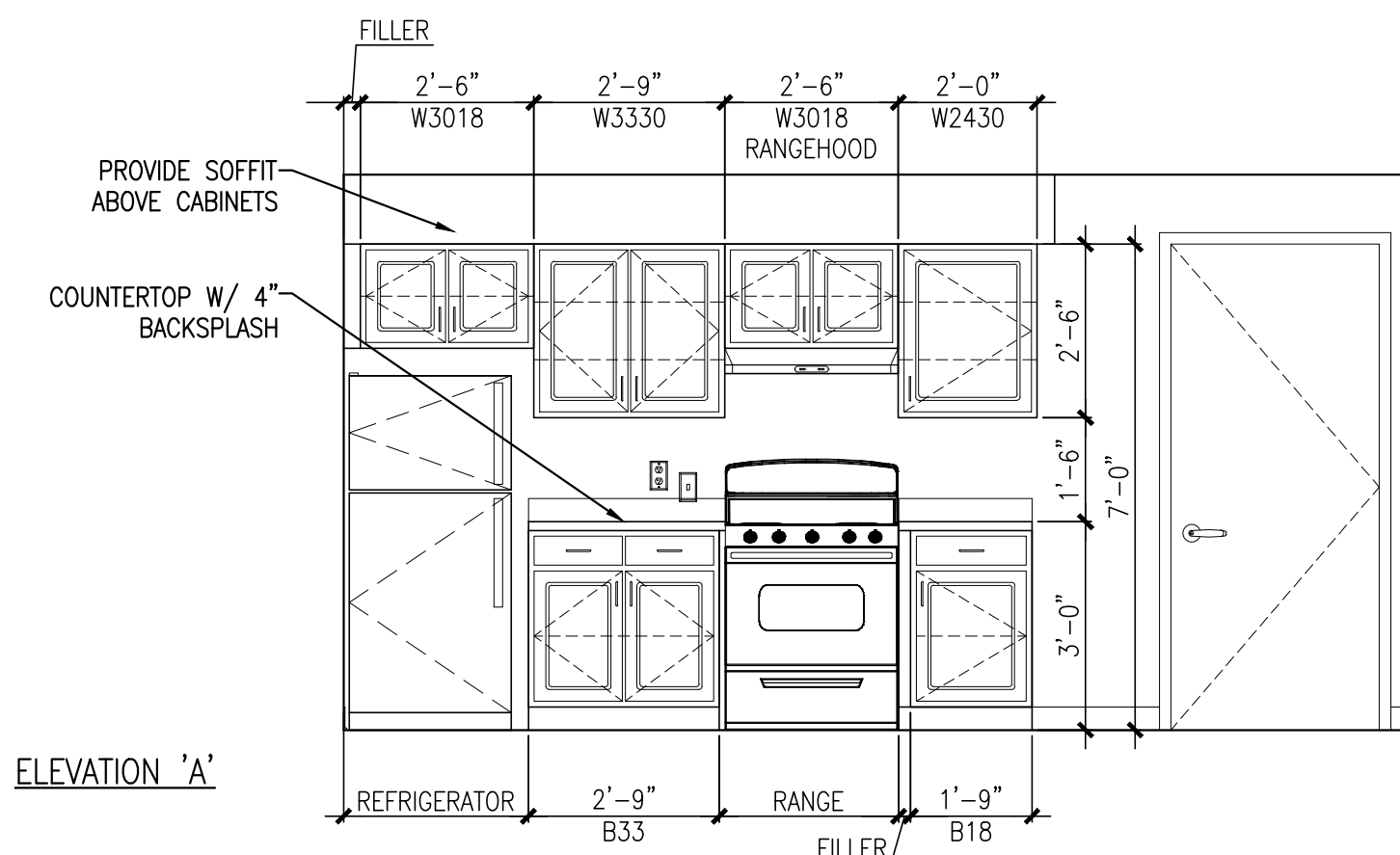
Date: ISSUED SEPTEMBER 8, 2011

Revisions:

- ▲ MAINE HOUSING CONCEPT SUBMISSION 02-01-2011
- ▲ HISTORIC PRESERVATION SUBMISSION 03-23-2011
- ▲ 50% MAINEHOUSING REVIEW 04-01-2011
- ▲ 90% MAINEHOUSING REVIEW 06-03-2011
- ▲ NPS SUBMISSION 07-01-2011
- ▲ ISSUED SEPTEMBER 8, 2011

Drawing Number:

A1.27



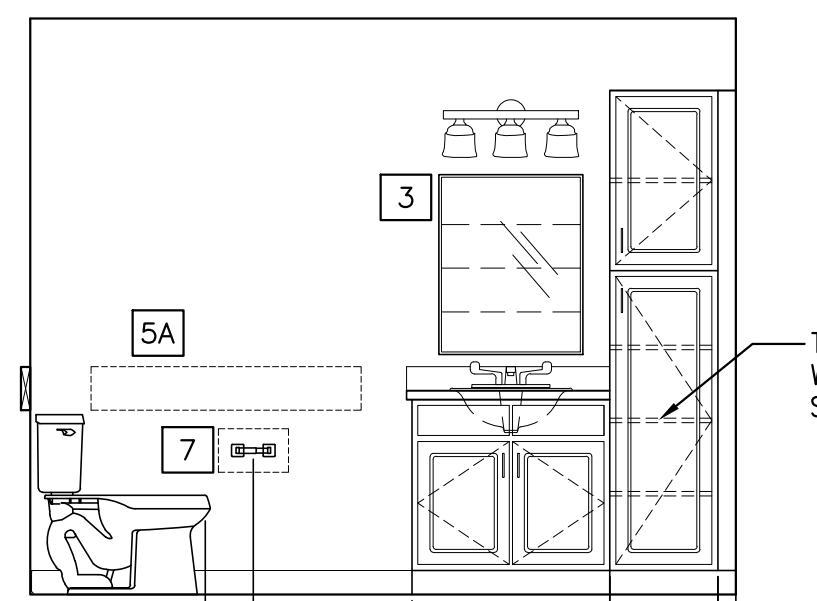
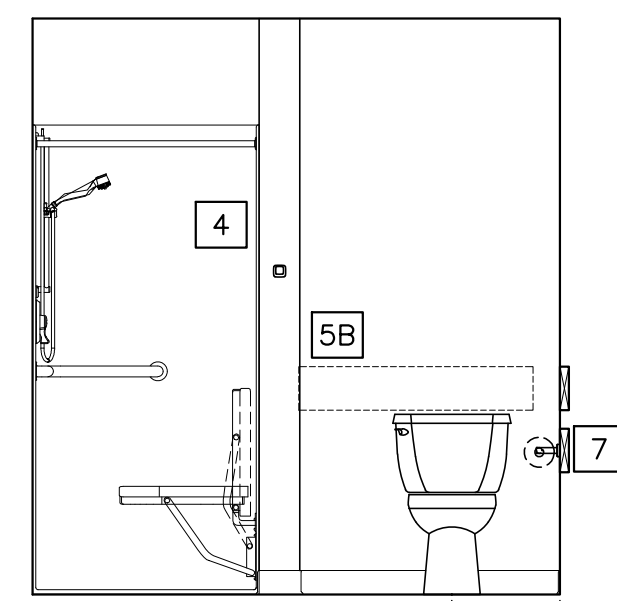
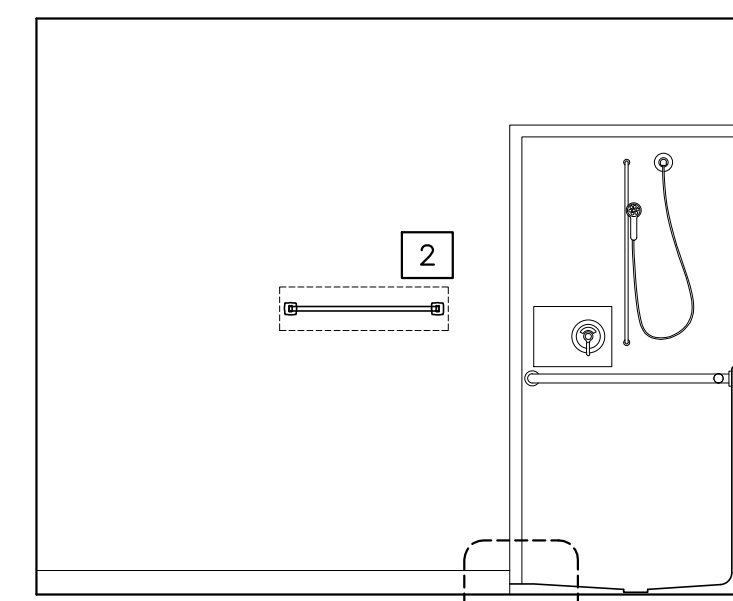
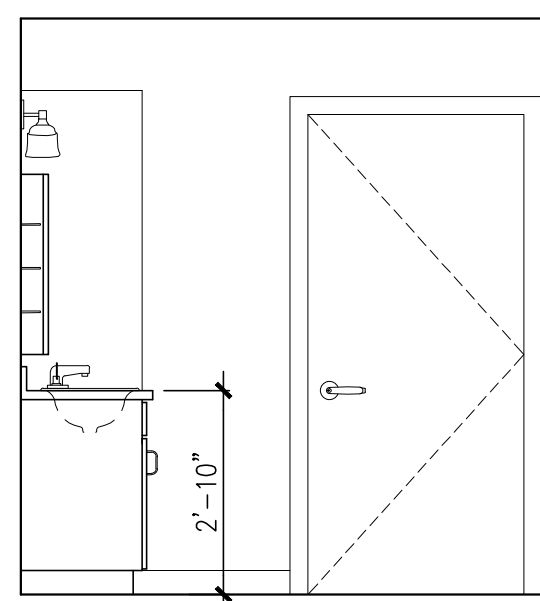
NOTES:
1. VERIFY OVERALL KITCHEN DIMENSIONS PRIOR TO PREPARING SHOP DRAWINGS.

1 KITCHEN ELEVATIONS

REFERENCED FROM: FLOOR PLANS

SCALE: 3/8" = 1'-0"

NOTE: REFER TO 3/A1.21 FOR BATHROOM ACCESSORY LEGEND AND NOTES.



ELEVATION 'A'

ELEVATION 'B'

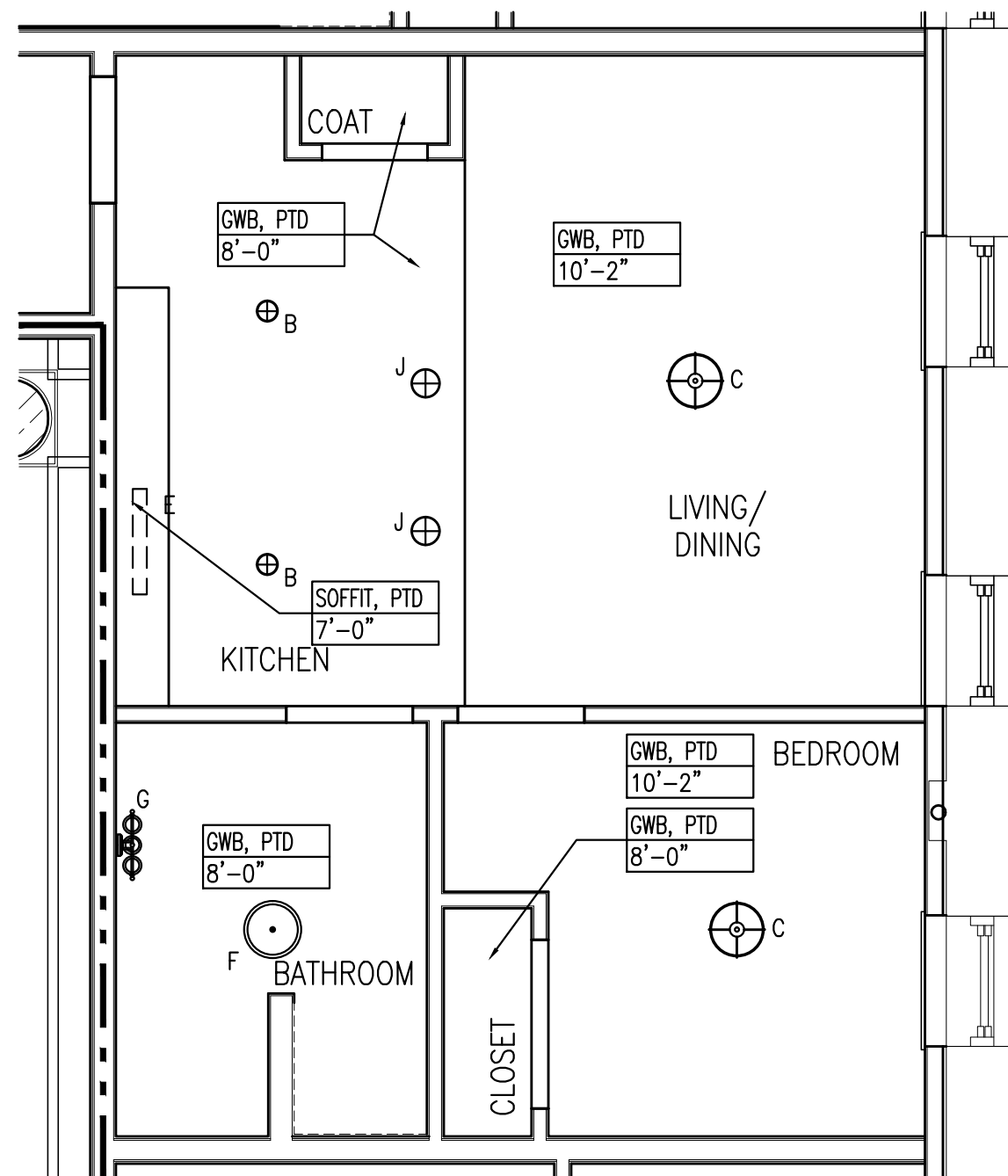
ELEVATION 'C'

ELEVATION 'D'

3 BATHROOM ELEVATIONS

REFERENCED FROM: FLOOR PLANS

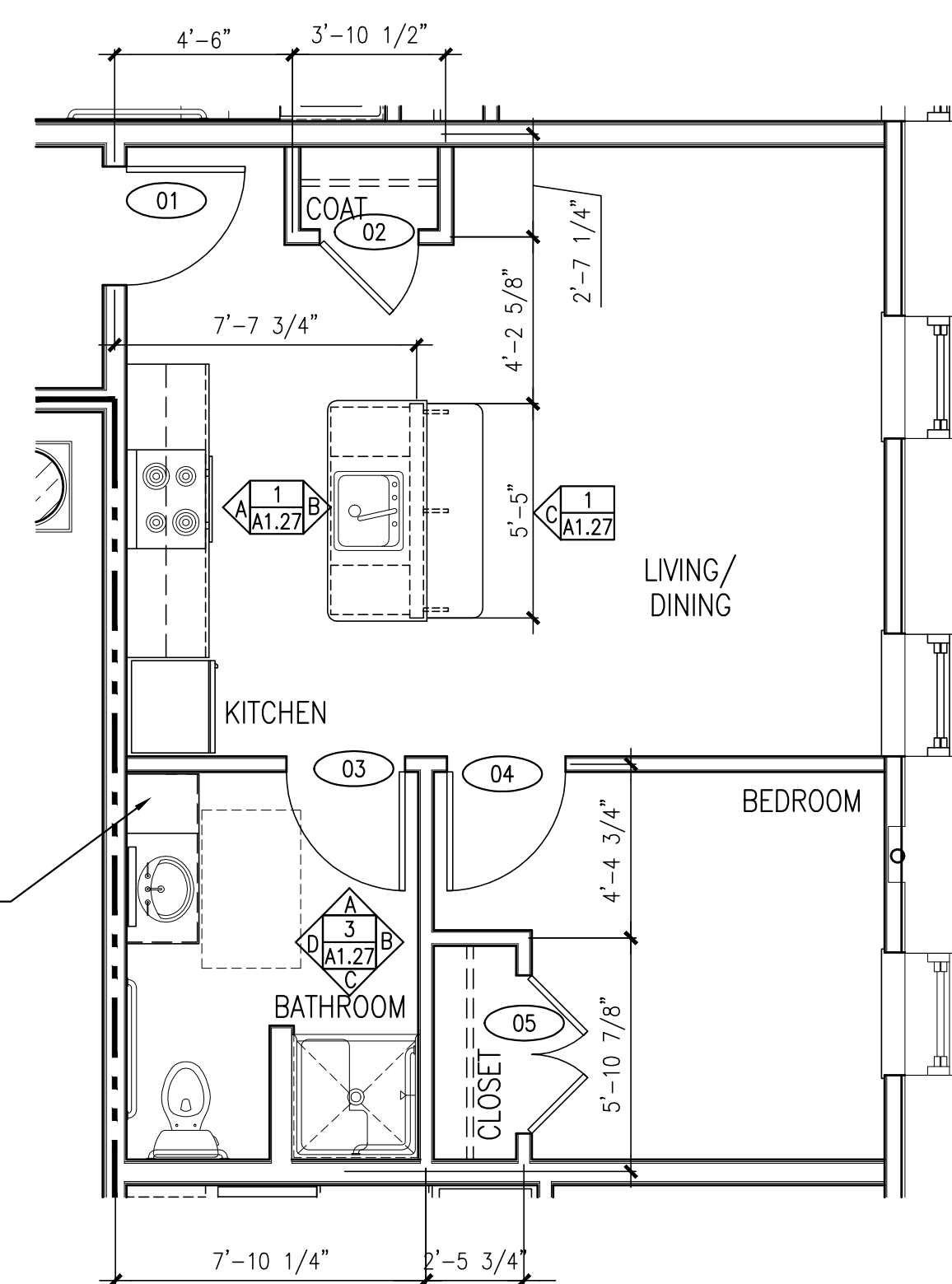
SCALE: 3/8" = 1'-0"



A UNIT TYPE 1B-3 - REFLECTED CEILING PLAN

REFERENCED FROM: UNIT 110

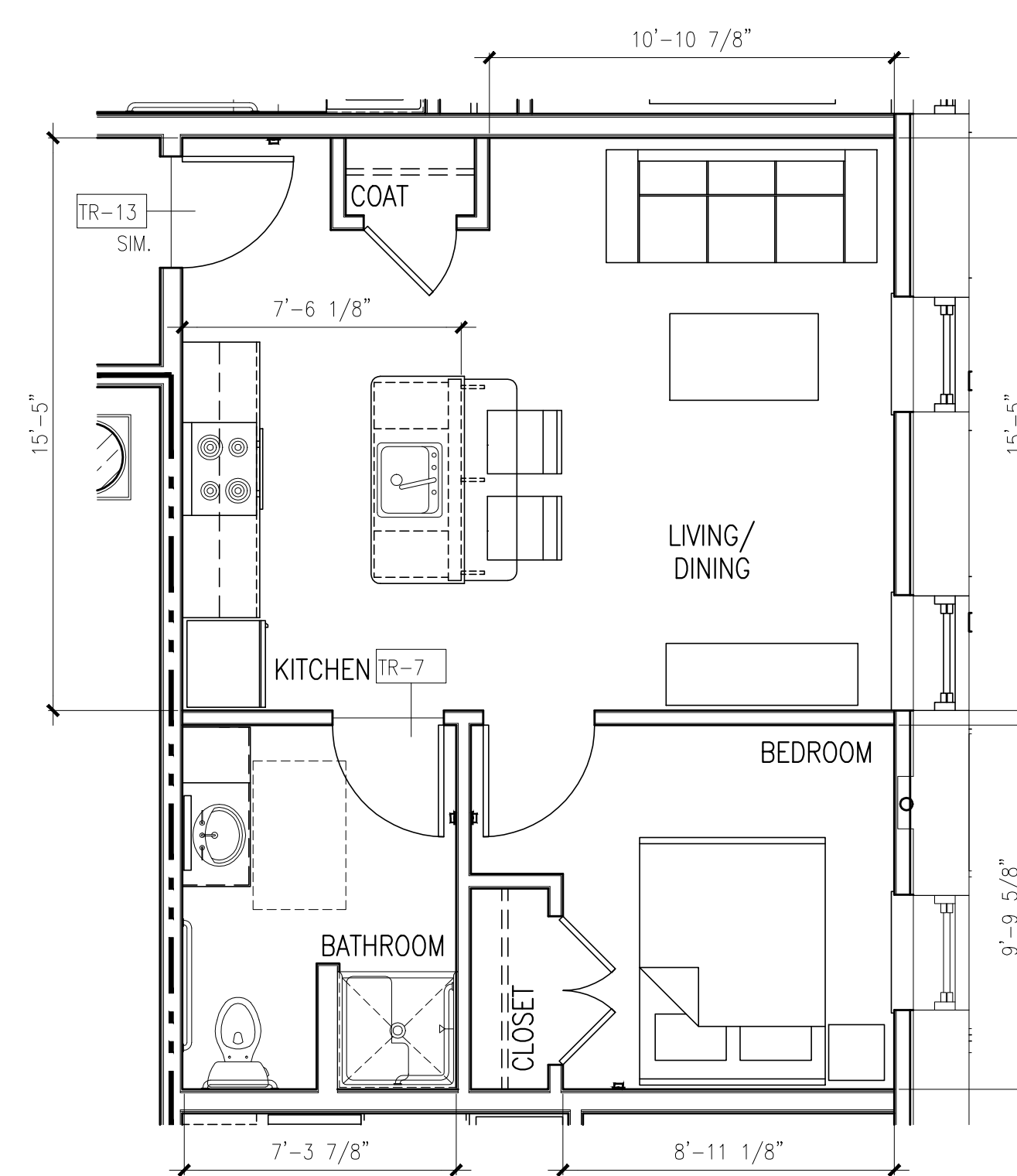
SCALE: 1/4" = 1'-0"



B UNIT TYPE 1B-3 - DIMENSIONAL PLAN

REFERENCED FROM: UNIT 110

SCALE: 1/4" = 1'-0"



C UNIT TYPE 1B-3 - LAYOUT FLOOR PLAN

REFERENCED FROM: UNIT 110

SCALE: 1/4" = 1'-0"

NOTE:
1. REFER TO A9.32 FOR TRANSITION DETAILS (TR)
2. ROOM DIMENSIONS AND SQUARE FOOTAGES ARE INFORMATIONAL ONLY AND SHALL NOT BE USED FOR CONSTRUCTION PURPOSES.
3. ROOM DIMENSIONS ARE FROM FACE OF FINISH WALL TO FACE OF FINISHED WALL.