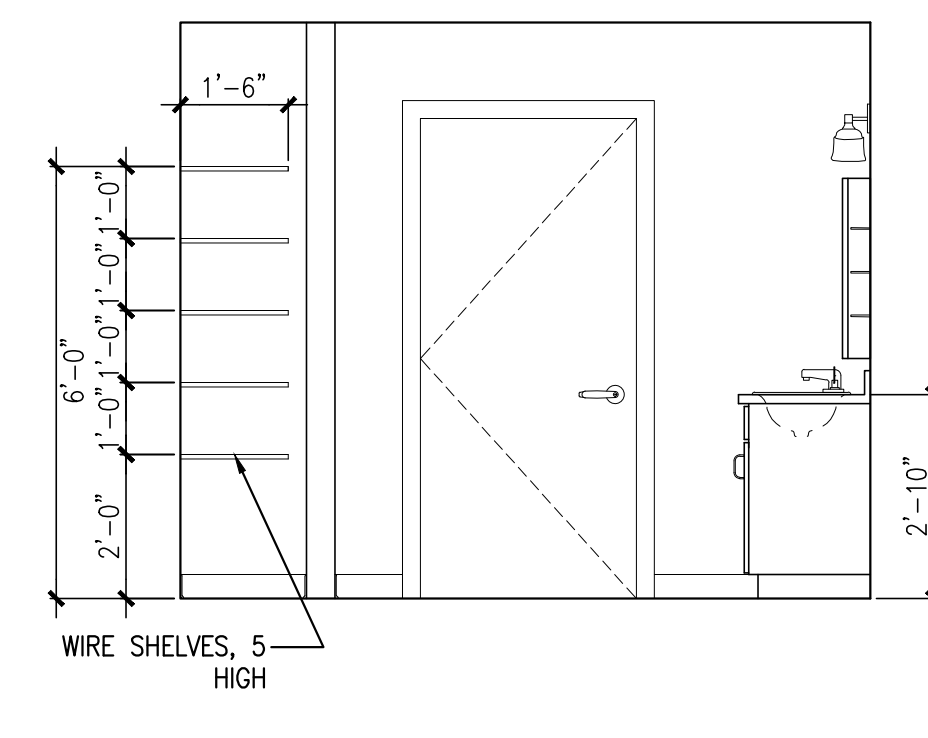
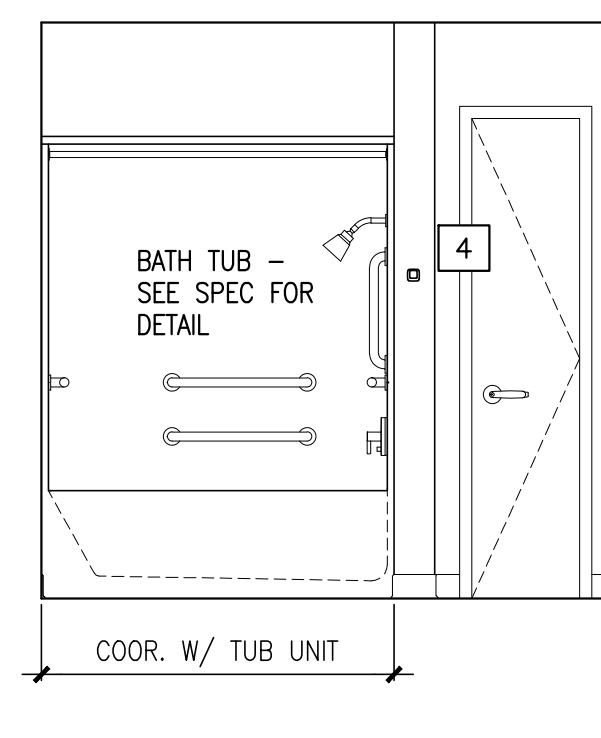
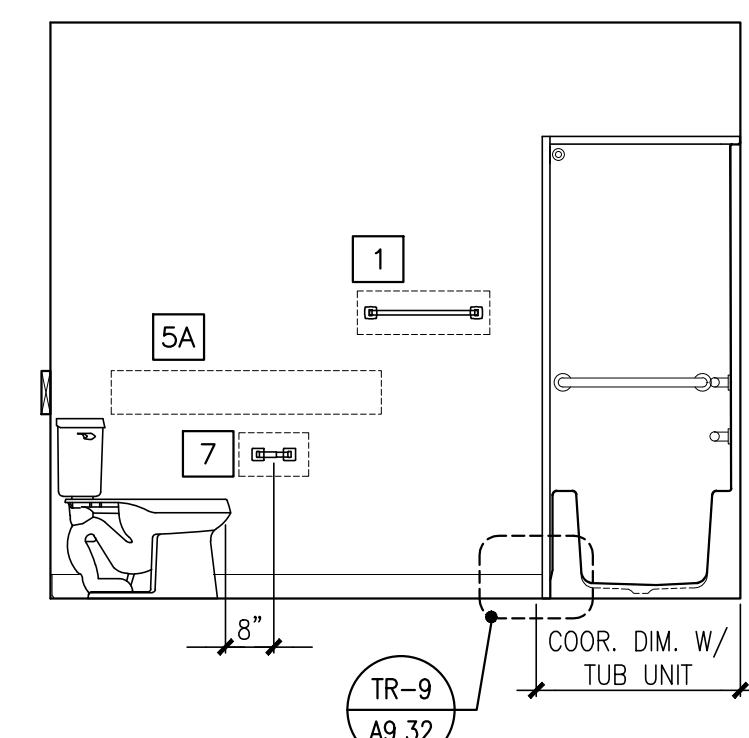
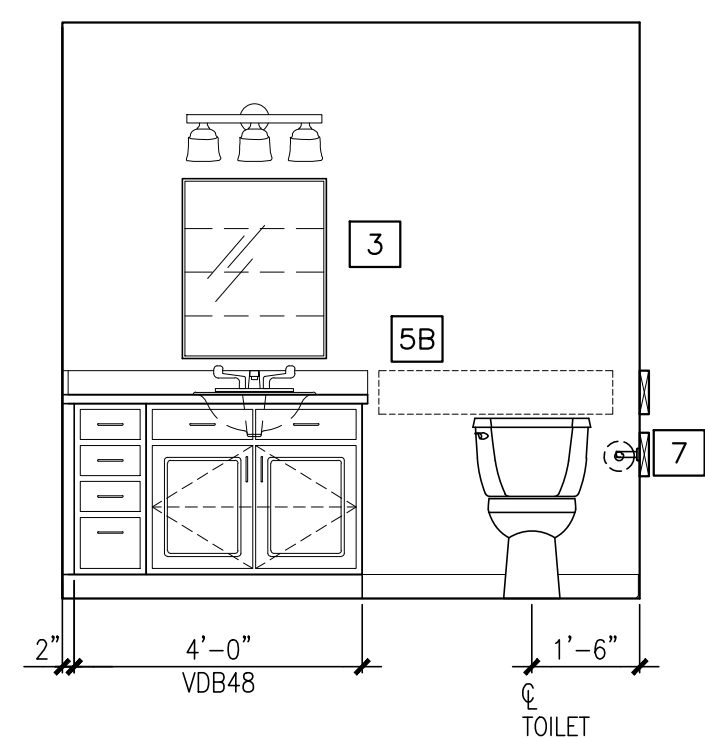


NOTES:
1. VERIFY OVERALL KITCHEN DIMENSIONS PRIOR TO PREPARING SHOP DRAWINGS.

1 KITCHEN ELEVATIONS
REFERENCED FROM: FLOOR PLANS

SCALE: 3/8" = 1'-0"

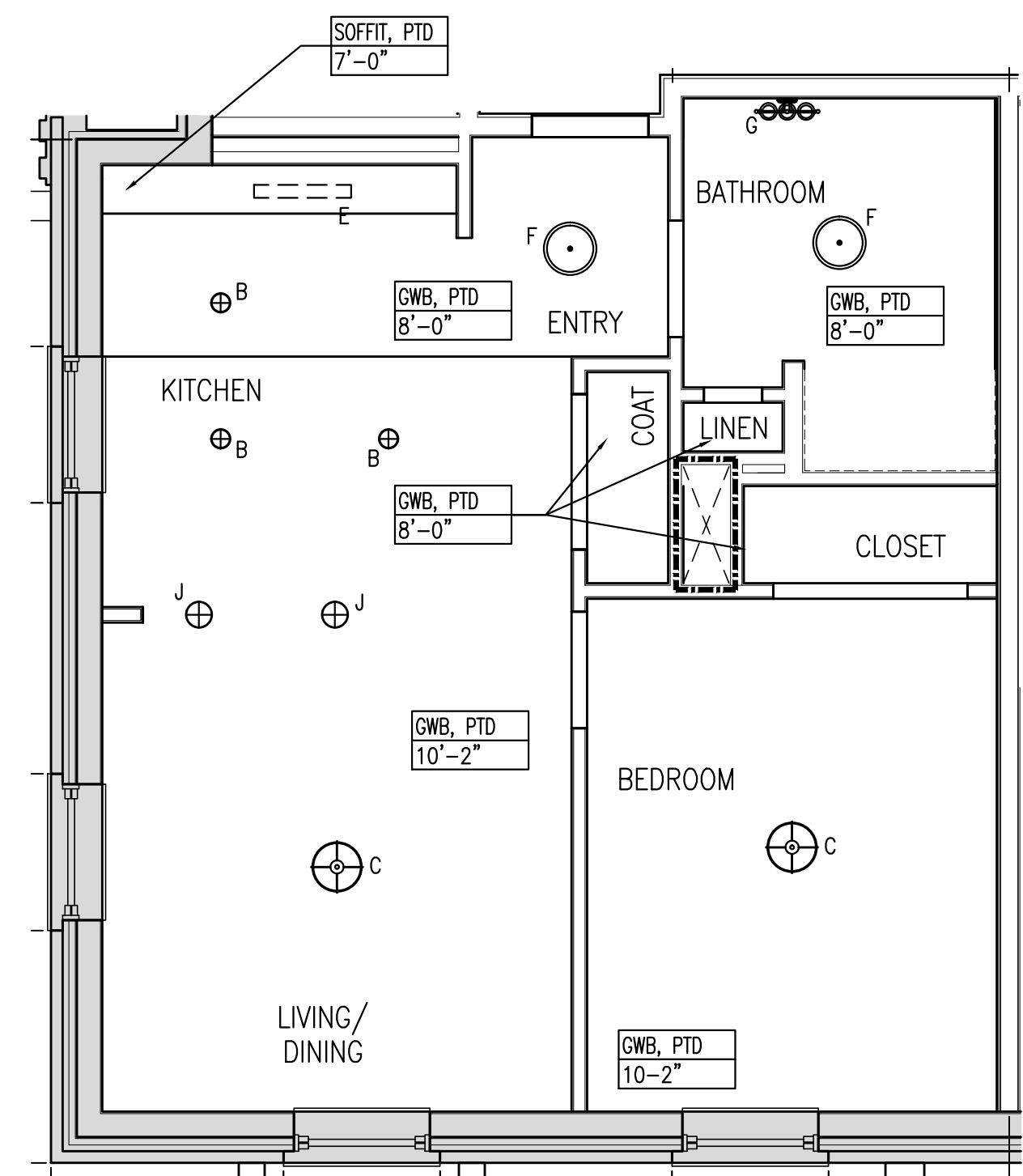
NOTE: REFER TO 3/A1.21 FOR BATHROOM ACCESSORY LEGEND AND NOTES.



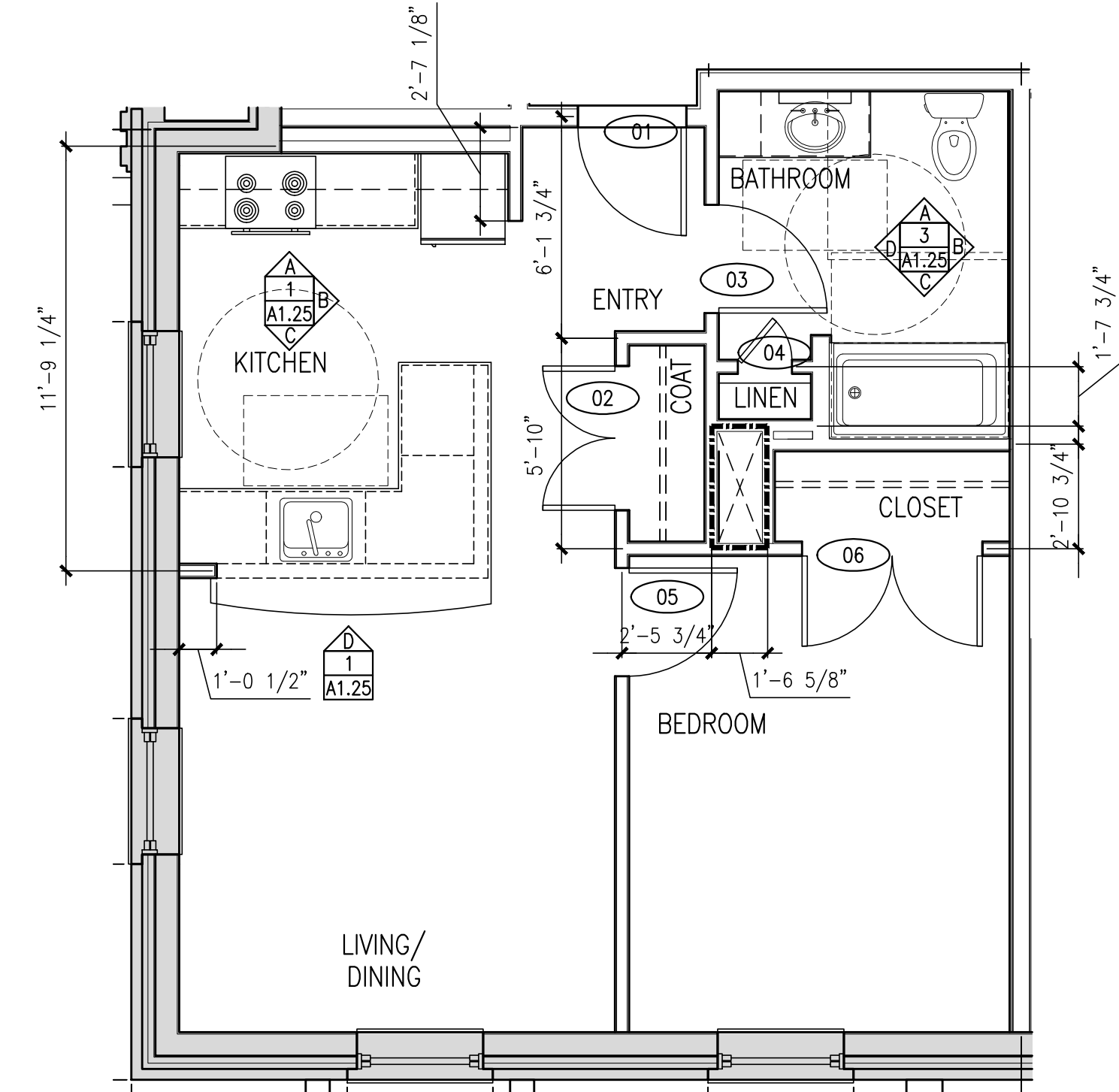
3 BATHROOM ELEVATIONS
REFERENCED FROM: FLOOR PLANS

SCALE: 3/8" = 1'-0"

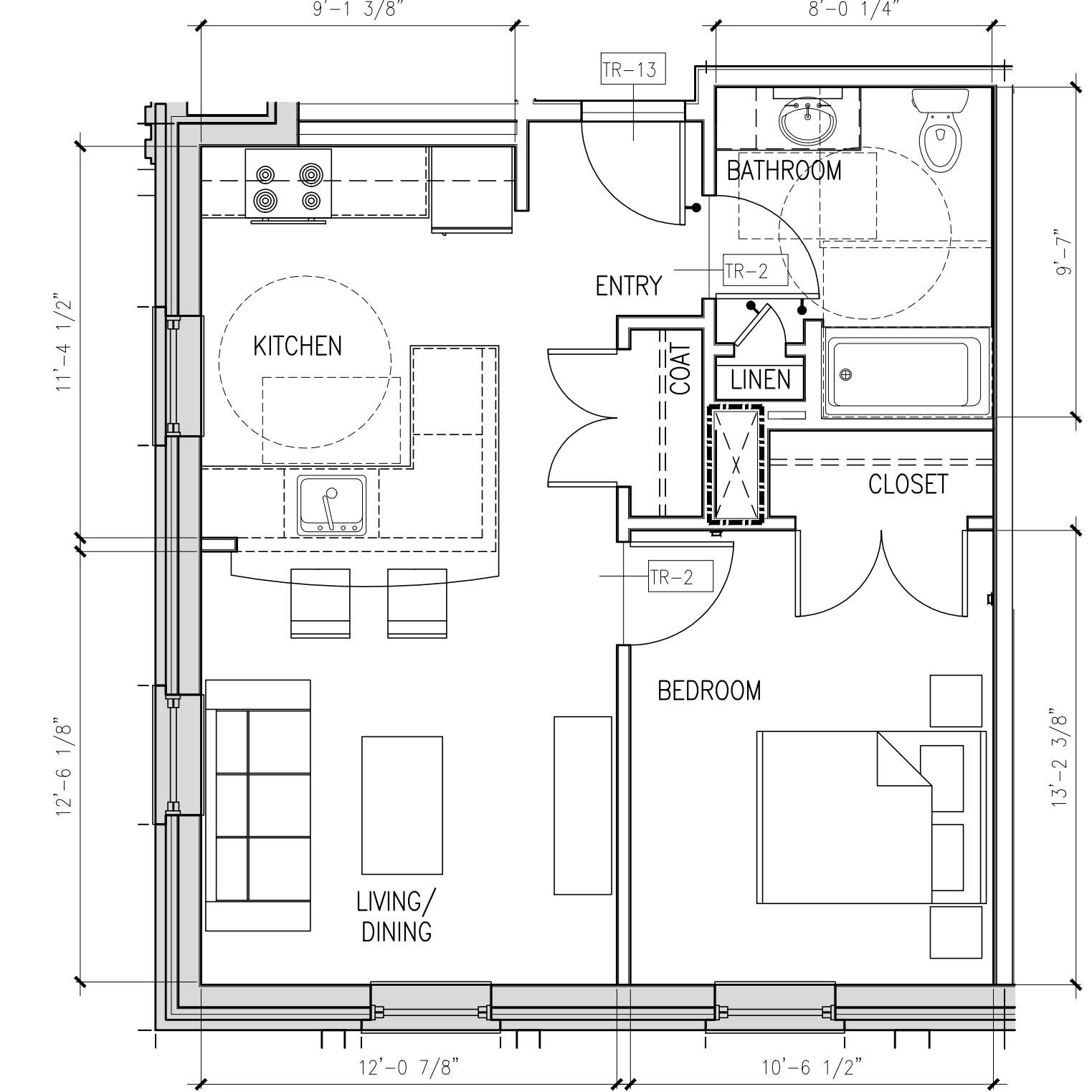
4 NOT USED
REFERENCED FROM:



A UNIT TYPE IB-1 - REFLECTED CEILING PLAN
REFERENCED FROM: UNIT 101
SCALE: 1/4" = 1'-0"



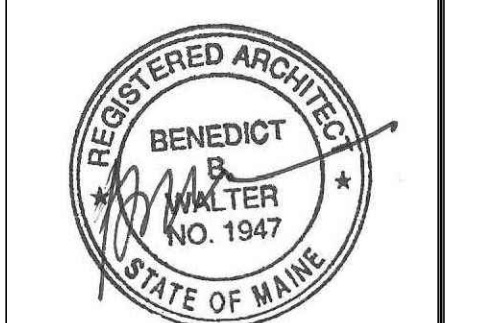
B UNIT TYPE IB-1 - DIMENSIONAL PLAN
REFERENCED FROM: UNIT 101
SCALE: 1/4" = 1'-0"



NOTE:
1. REFER TO A9.32 FOR TRANSITION DETAILS (TR)
2. ROOM DIMENSIONS AND SQUARE FOOTAGES ARE INFORMATIONAL ONLY AND SHALL NOT BE USED FOR CONSTRUCTION PURPOSES.
3. ROOM DIMENSIONS ARE FROM FACE OF FINISH WALL TO FACE OF FINISHED WALL.

C UNIT TYPE IB-1 - LAYOUT FLOOR PLAN
REFERENCED FROM: UNIT 101
SCALE: 1/4" = 1'-0"

CWS Architects
Architecture
Space Planning
Value Design
434 Cumberland Avenue
Portland, ME 04101
Phone: (207)774-4441
Fax: (207)774-4016
www.CWSarch.com



Owner:
Children's Hospital Housing Partners, LP
309 Cumberland Ave.
Suite 203
Portland, Maine 04101
CONSTRUCTION MANAGER:
WRIGHT-RYAN CONSTRUCTION
10 DANFORTH STREET
PORTLAND, ME 04101
TEL: (201) 773-3625

ELM TERRACE
68 HIGH STREET
PORTLAND, MAINE

Project No: 09428
Drawing Title:
TYPE 1B-1 FLOOR PLANS, RCP, INT. ELEVS
Scale: AS NOTED
Date: ISSUED SEPTEMBER 8, 2011
Revisions:
MAINE HOUSING CONCEPT SUBMISSION 02-01-2011
HISTORIC PRESERVATION SUBMISSION 03-23-2011
50% MAINEHOUSING REVIEW 04-01-2011
90% MAINEHOUSING REVIEW 06-03-2011
NPS SUBMISSION 07-01-2011
ISSUED SEPTEMBER 8, 2011

Drawing Number:
A1.25