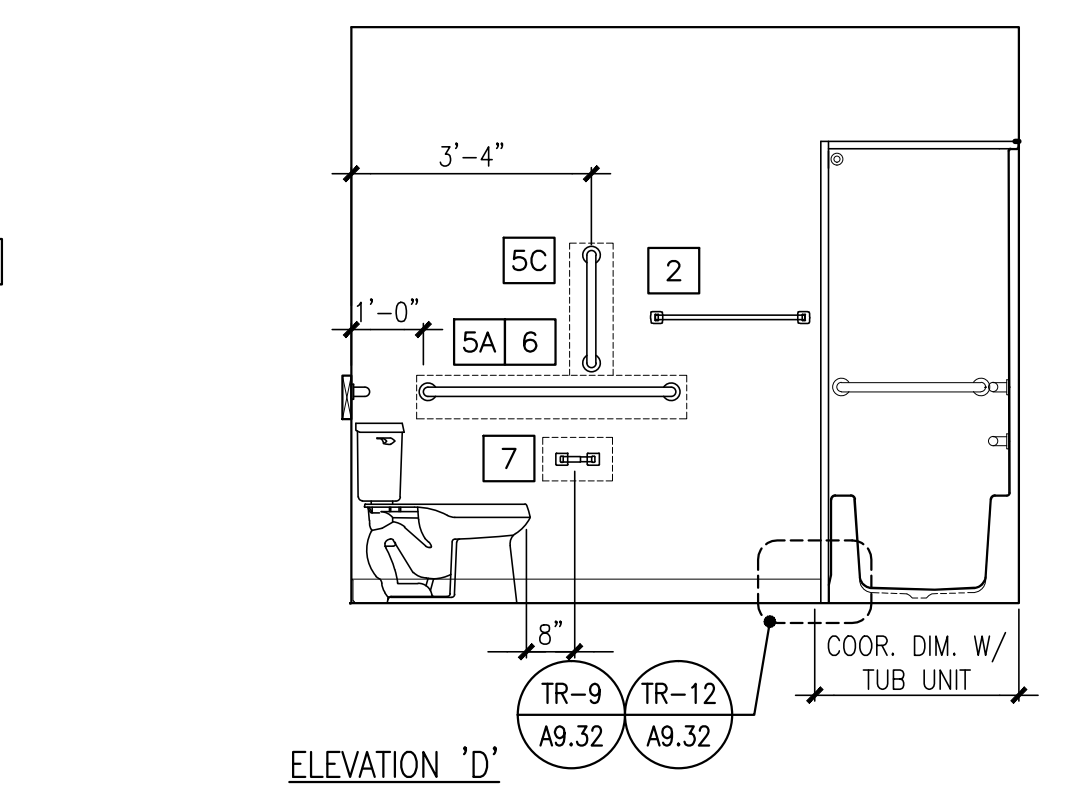
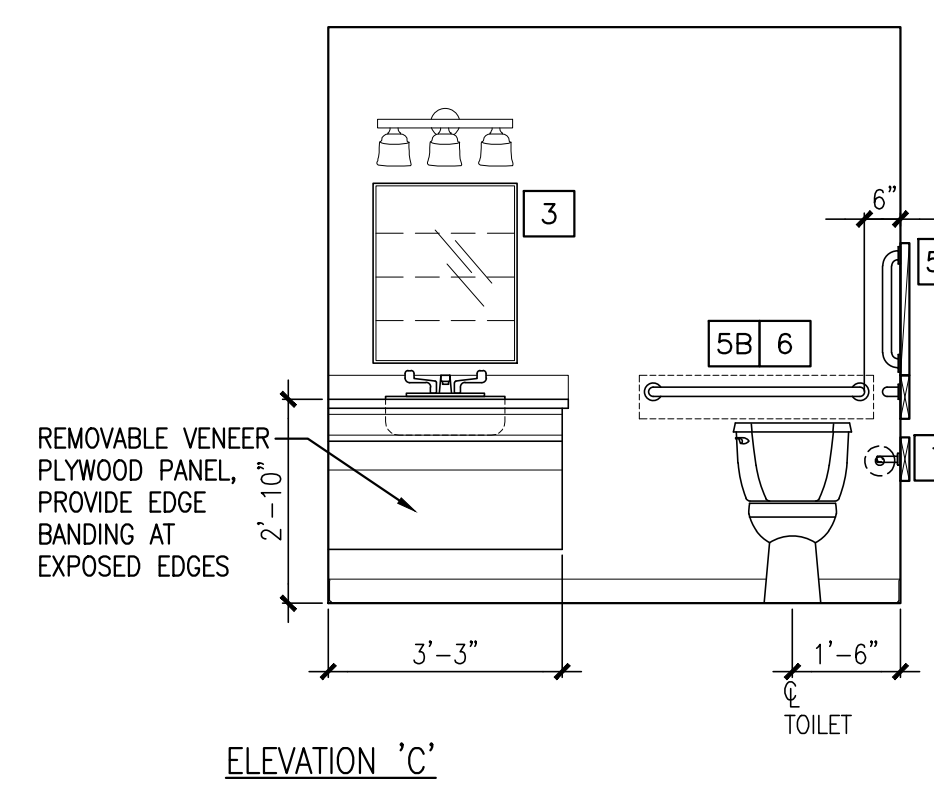
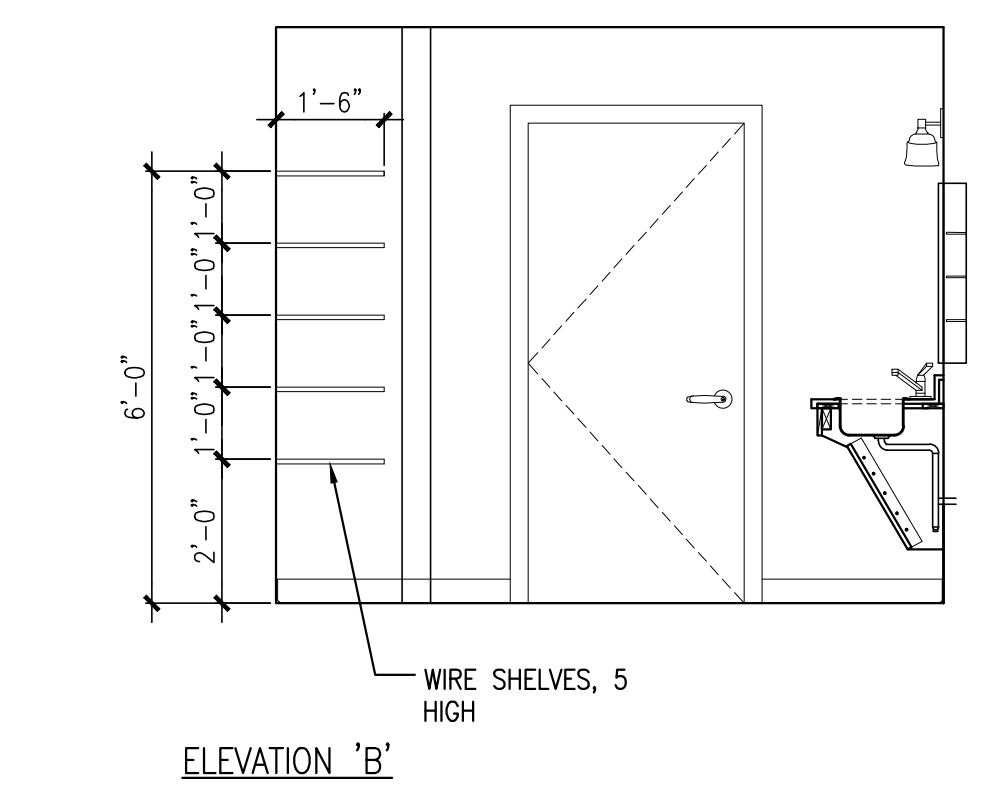
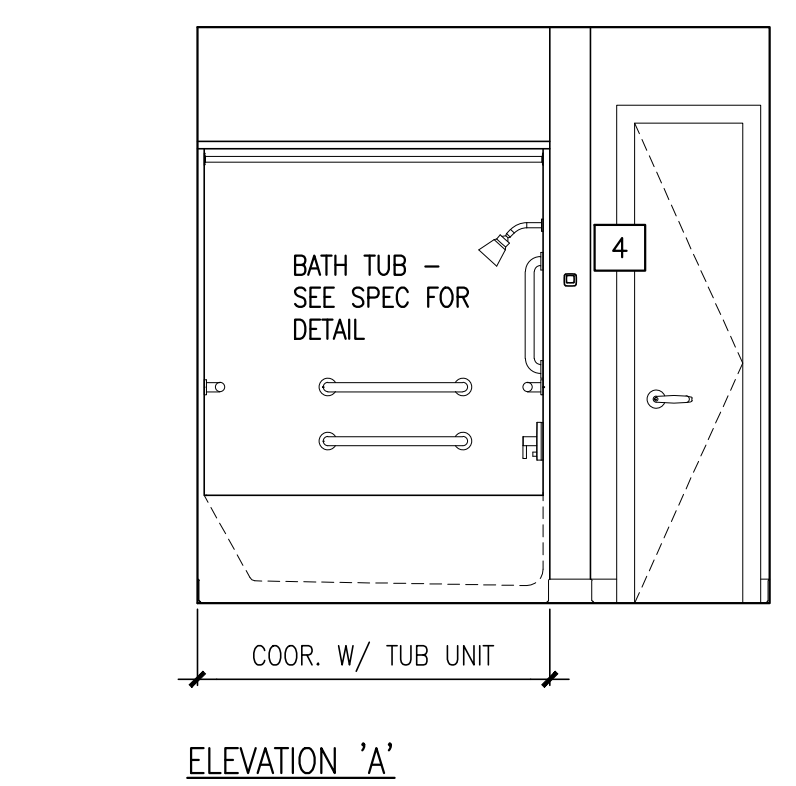


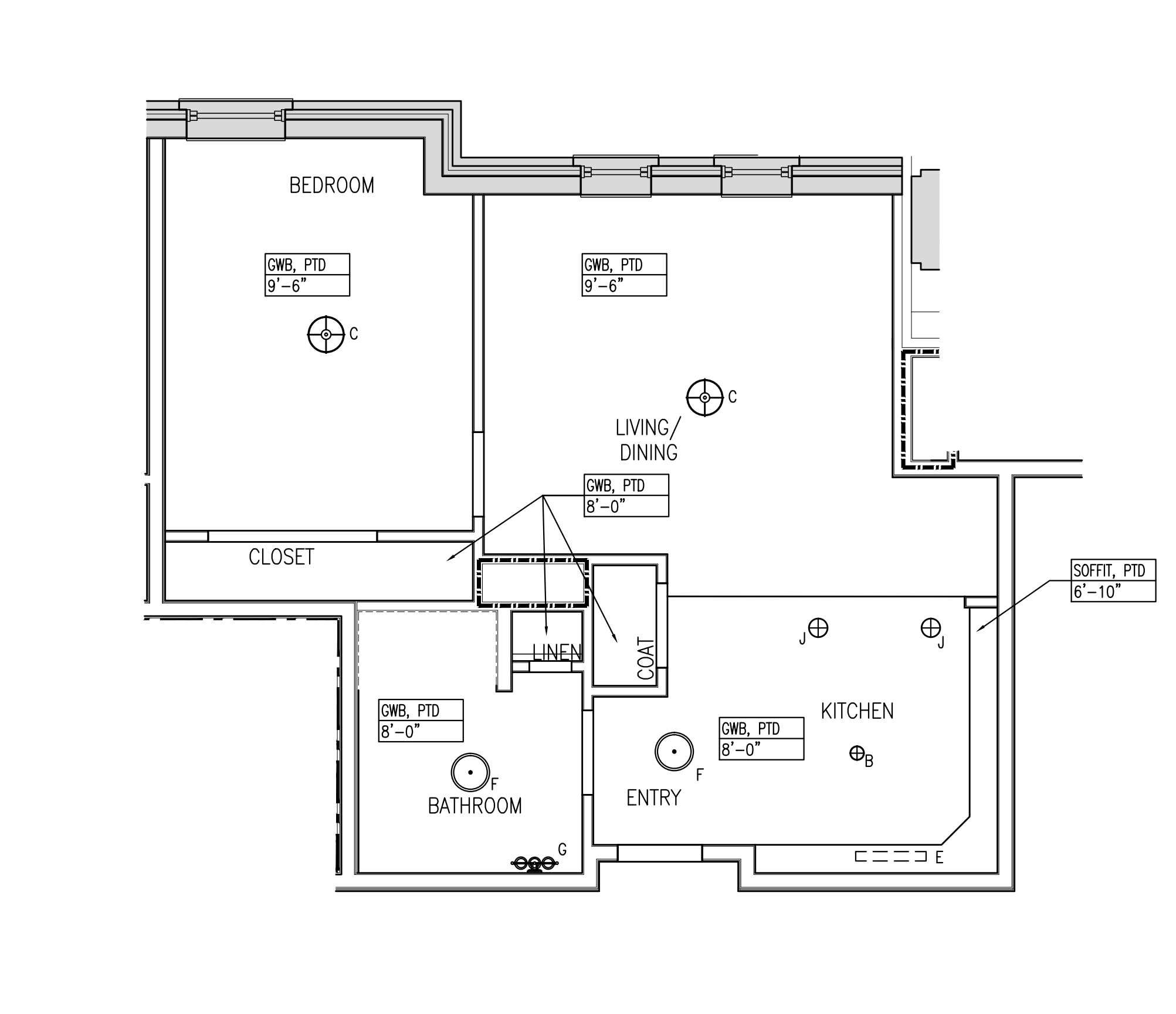
NOTES:
 1. VERIFY OVERALL KITCHEN DIMENSIONS PRIOR TO PREPARING SHOP DRAWINGS.
 2. PROVIDE FINISH FLOORING, WALL BASE AND FINISH WALL AT ALL REMOVABLE CABINETS.

1 KITCHEN ELEVATIONS
 REFERENCED FROM: FLOOR PLANS

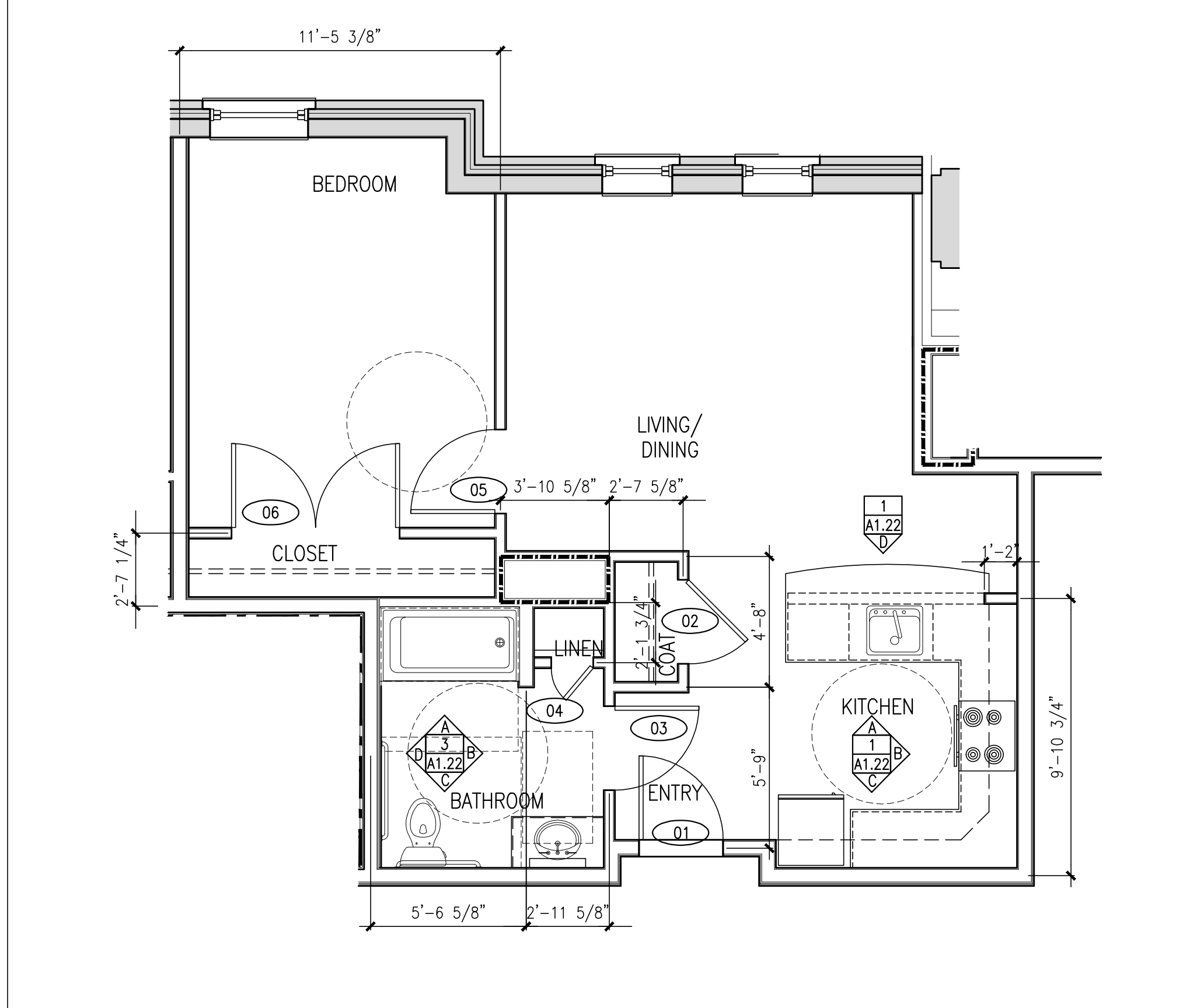
NOTE: REFER TO 3/A1.21 FOR BATHROOM ACCESSORY LEGEND AND NOTES.



3 BATHROOM ELEVATIONS
 REFERENCED FROM: FLOOR PLANS

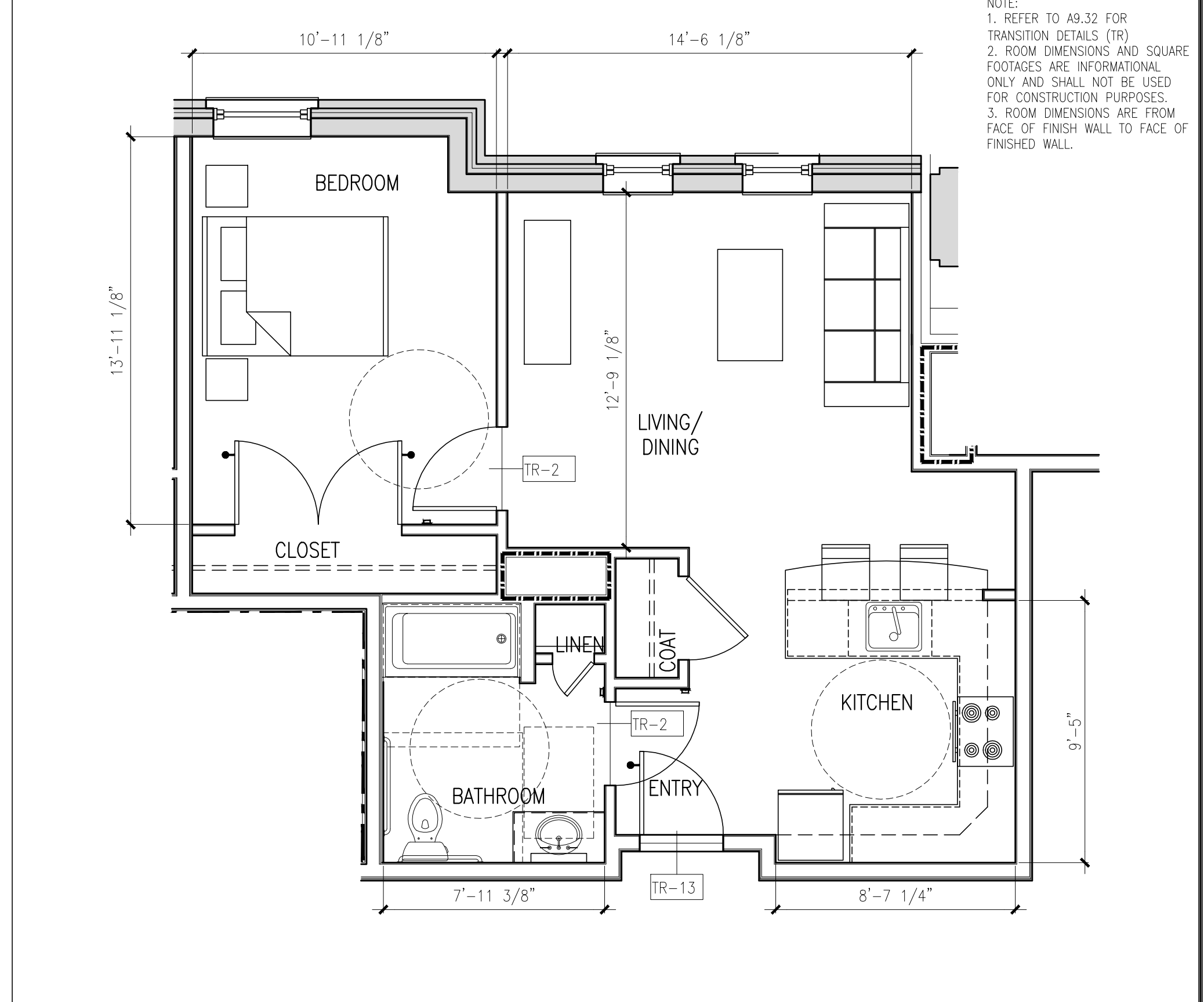


A UNIT TYPE 1A-HC-1 - REFLECTED CEILING PLAN
 REFERENCED FROM: UNIT 104, 204, 304 SCALE: 1/4"=1'-0"



B UNIT TYPE 1A-HC-1 - DIMENSIONAL PLAN
 REFERENCED FROM: UNIT 104, 204, 304 SCALE: 1/4"=1'-0"

4 REMOVABLE FRONT SINK DETAIL
 REFERENCED FROM: TYPICAL ALL TYPE A UNITS ONLY



C UNIT TYPE 1A-HC-1 - LAYOUT FLOOR PLAN
 REFERENCED FROM: UNIT 104, 204, 304 SCALE: 1/4"=1'-0"

CWS Architects
 Architecture
 Space Planning
 Value Design
 434 Cumberland Avenue
 Portland, ME 04101
 Phone: (207)774-4441
 Fax: (207)774-4016
 www.CWSarch.com



Owner:
Children's Hospital Housing Partners, LP
 309 Cumberland Ave.
 Suite 203
 Portland, Maine 04101
 CONSTRUCTION MANAGER:
WRIGHT-RYAN CONSTRUCTION
 10 DANFORTH STREET
 PORTLAND, ME 04101
 TEL: (207) 773-3625

ELM TERRACE
 68 HIGH STREET
 PORTLAND, MAINE

Project No: 09428
 Drawing Title:
TYPE 1A-HC-1 FLOOR PLANS, RCP, INT. ELVs
 Scale: AS NOTED
 Date: ISSUED SEPTEMBER 8, 2011
 Revisions:
 MAINE HOUSING CONCEPT SUBMISSION 02-01-2011
 HISTORIC PRESERVATION SUBMISSION 03-23-2011
 50% MANHOUSING REVIEW 04-01-2011
 90% MANHOUSING REVIEW 06-03-2011
 NPS SUBMISSION 07-01-2011
 ISSUED SEPTEMBER 8, 2011
 Drawing Number:
A1.22