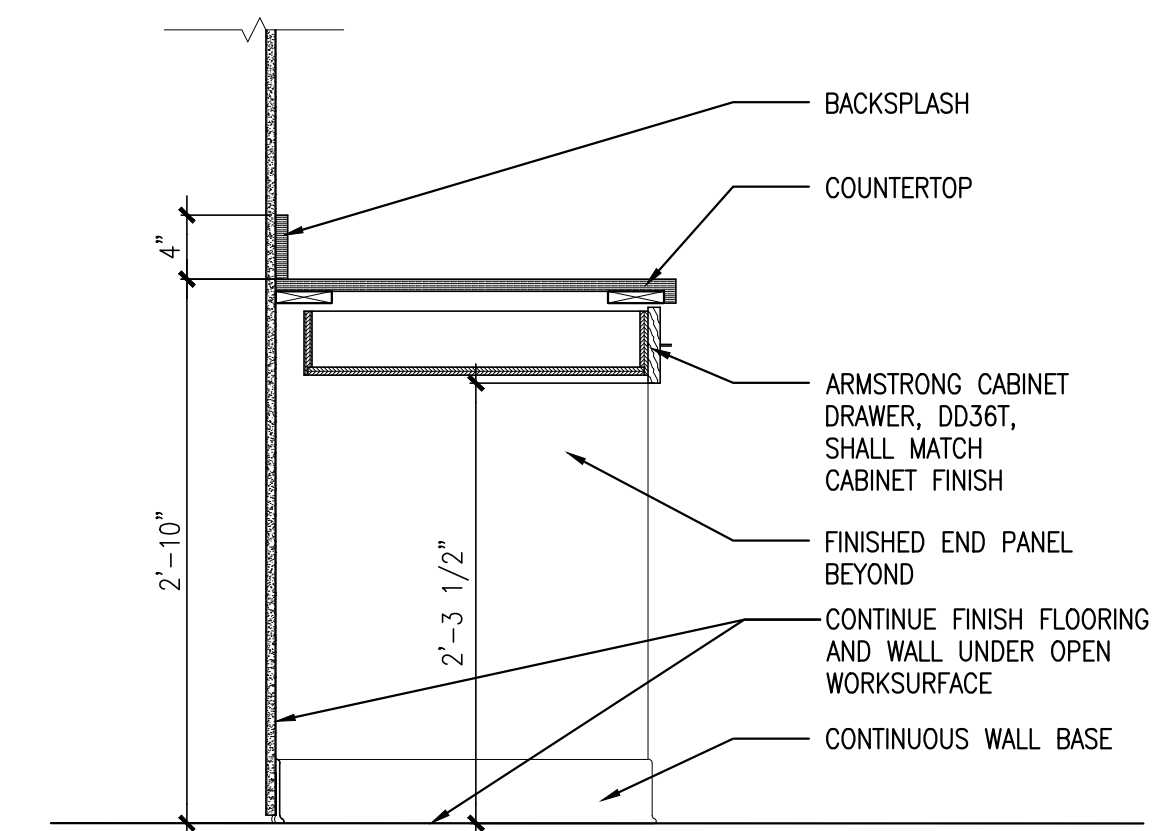
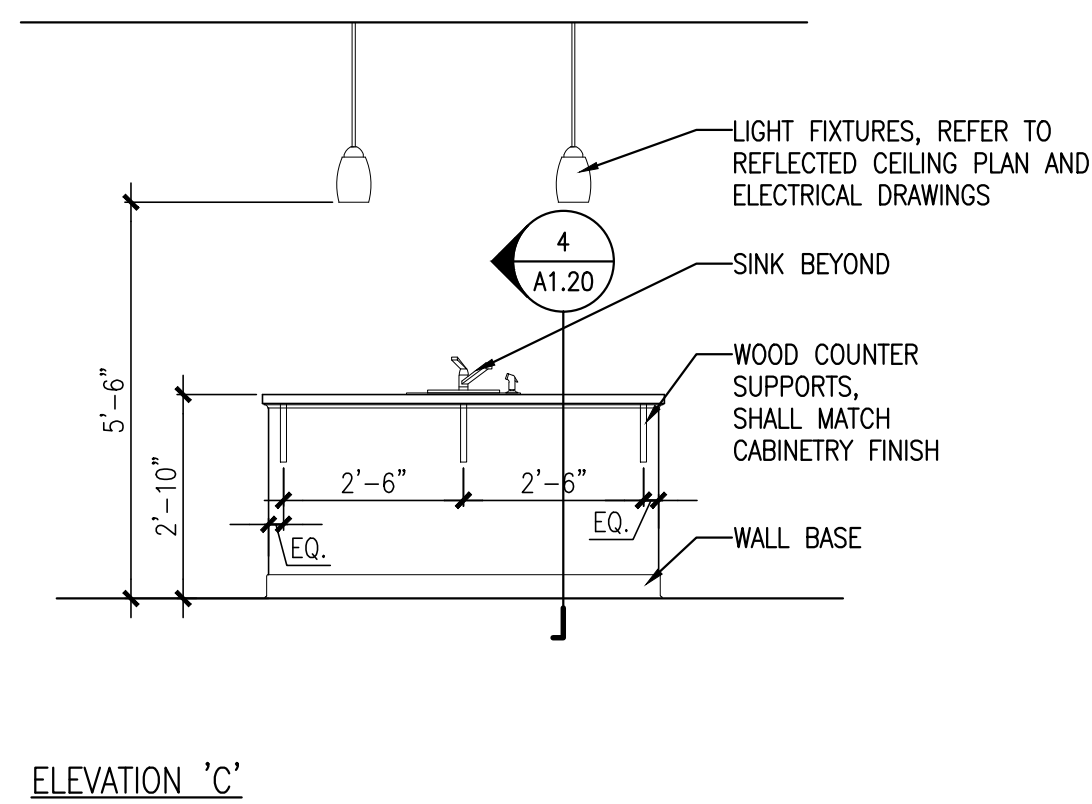
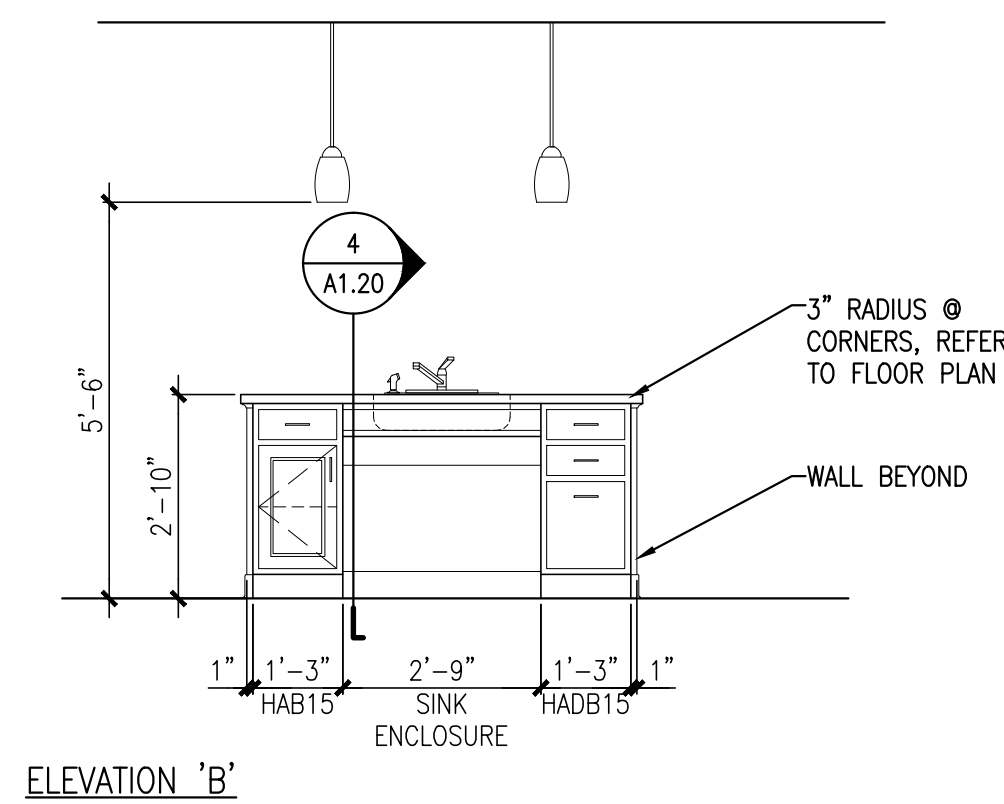
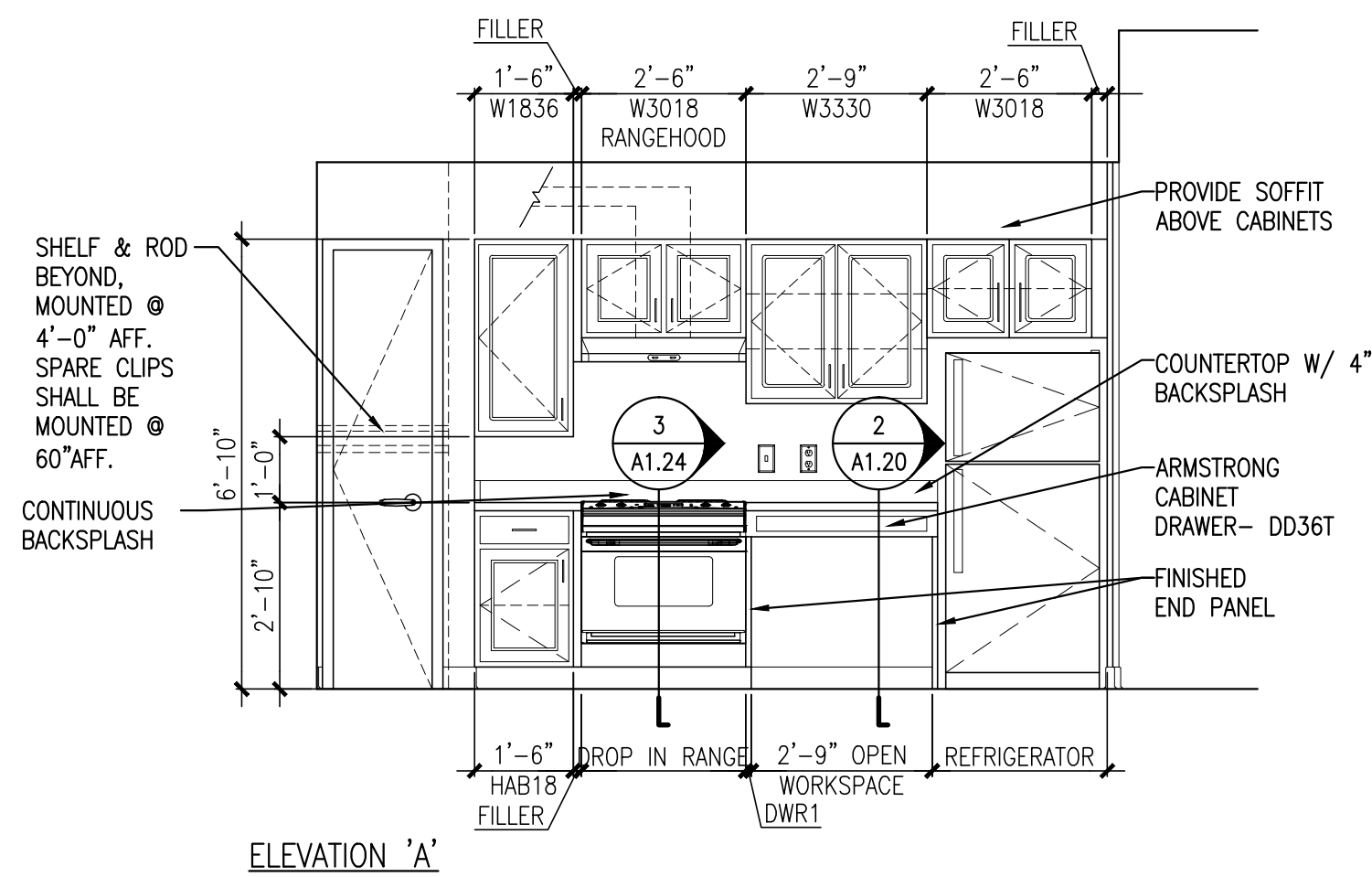


- NOTES:
 1. VERIFY OVERALL KITCHEN DIMENSIONS PRIOR TO PREPARING SHOP DRAWINGS.
 2. PROVIDE FINISH FLOORING, WALL BASE AND FINISH WALL AT ALL REMOVABLE CABINETS.



1 KITCHEN ELEVATIONS

REFERENCED FROM: FLOOR PLANS

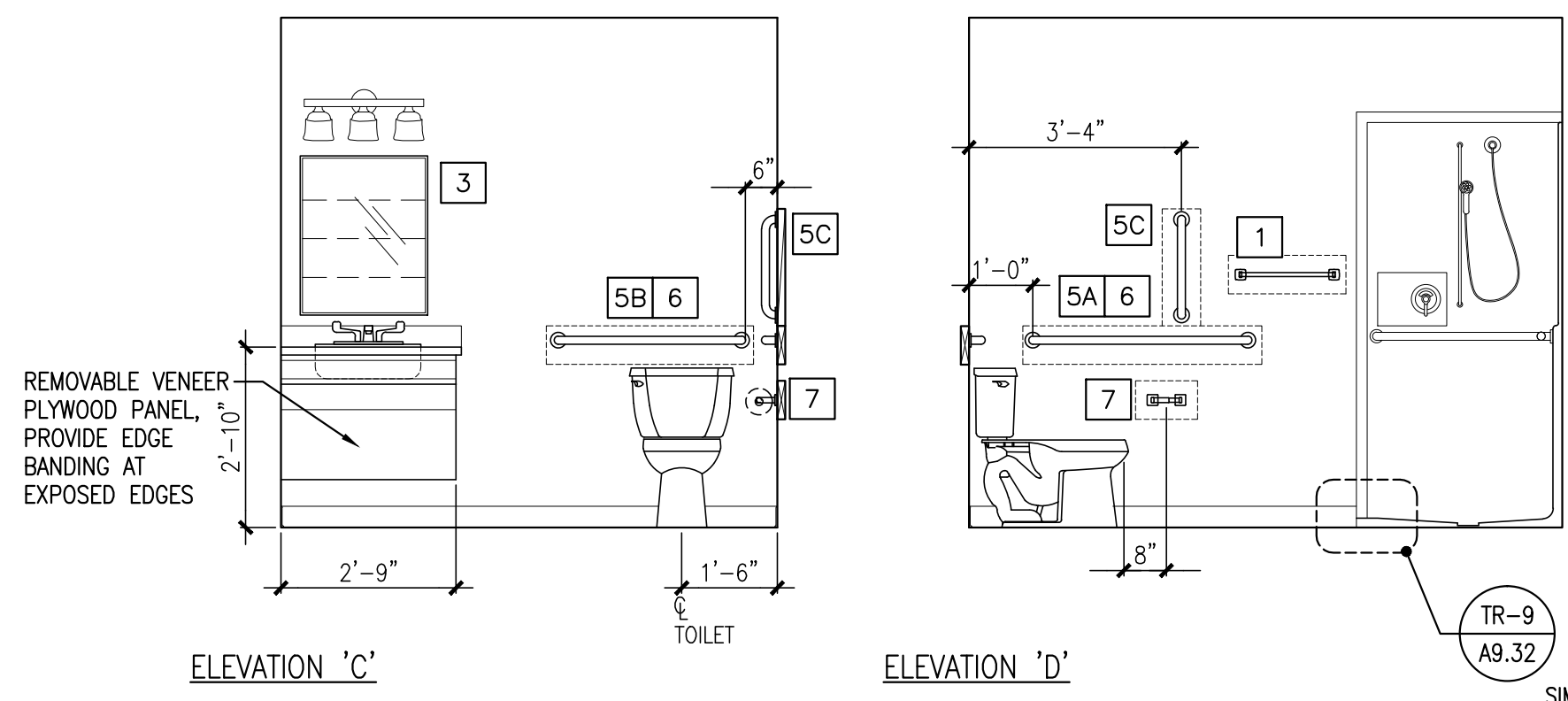
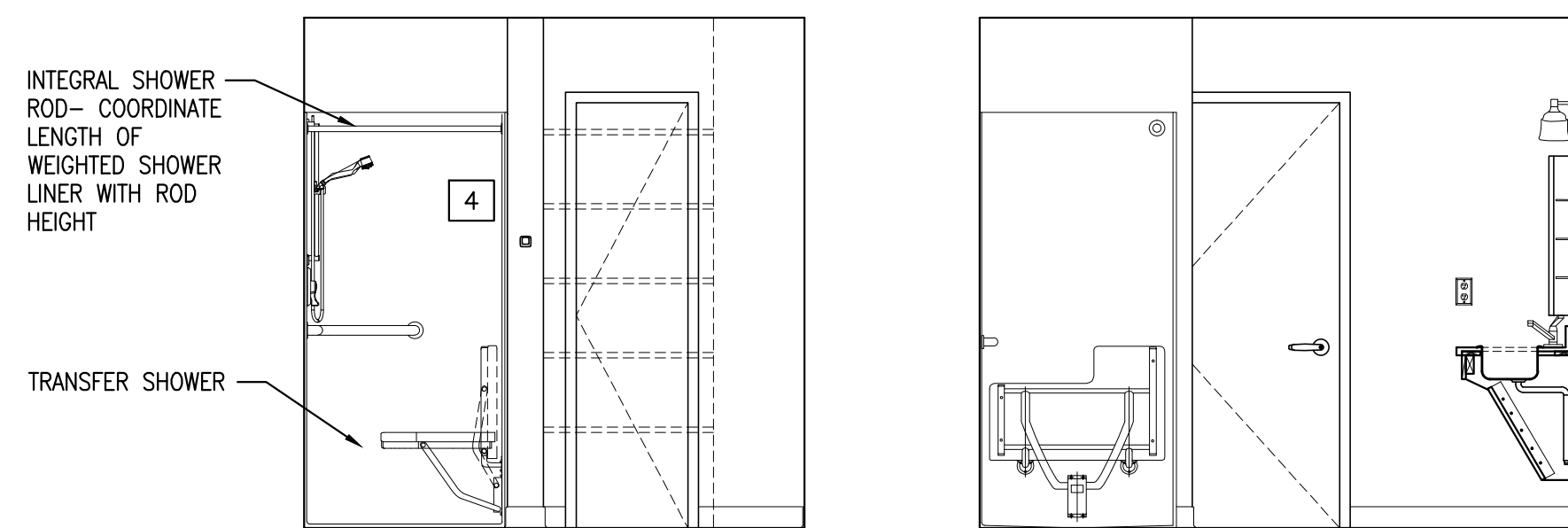
SCALE: 3/8" = 1'-0"

2 OPEN WORKSURFACE DETAIL

REFERENCED FROM: KITCHEN ELEVATIONS

SCALE: 1" = 1'-0"

NOTE: REFER TO 3/A1.21 FOR BATHROOM ACCESSORY LEGEND AND NOTES.



3 BATHROOM ELEVATIONS

REFERENCED FROM: FLOOR PLANS

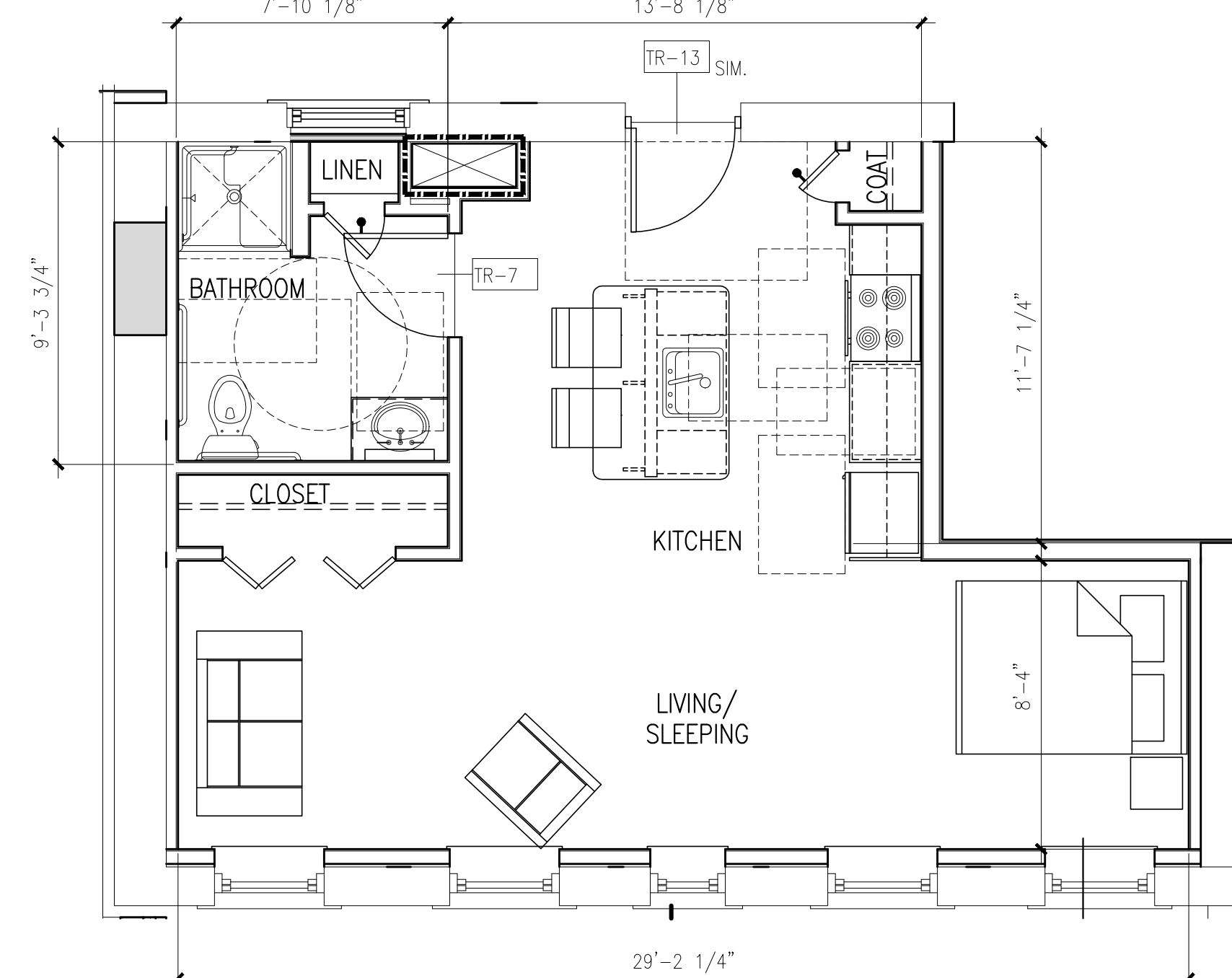
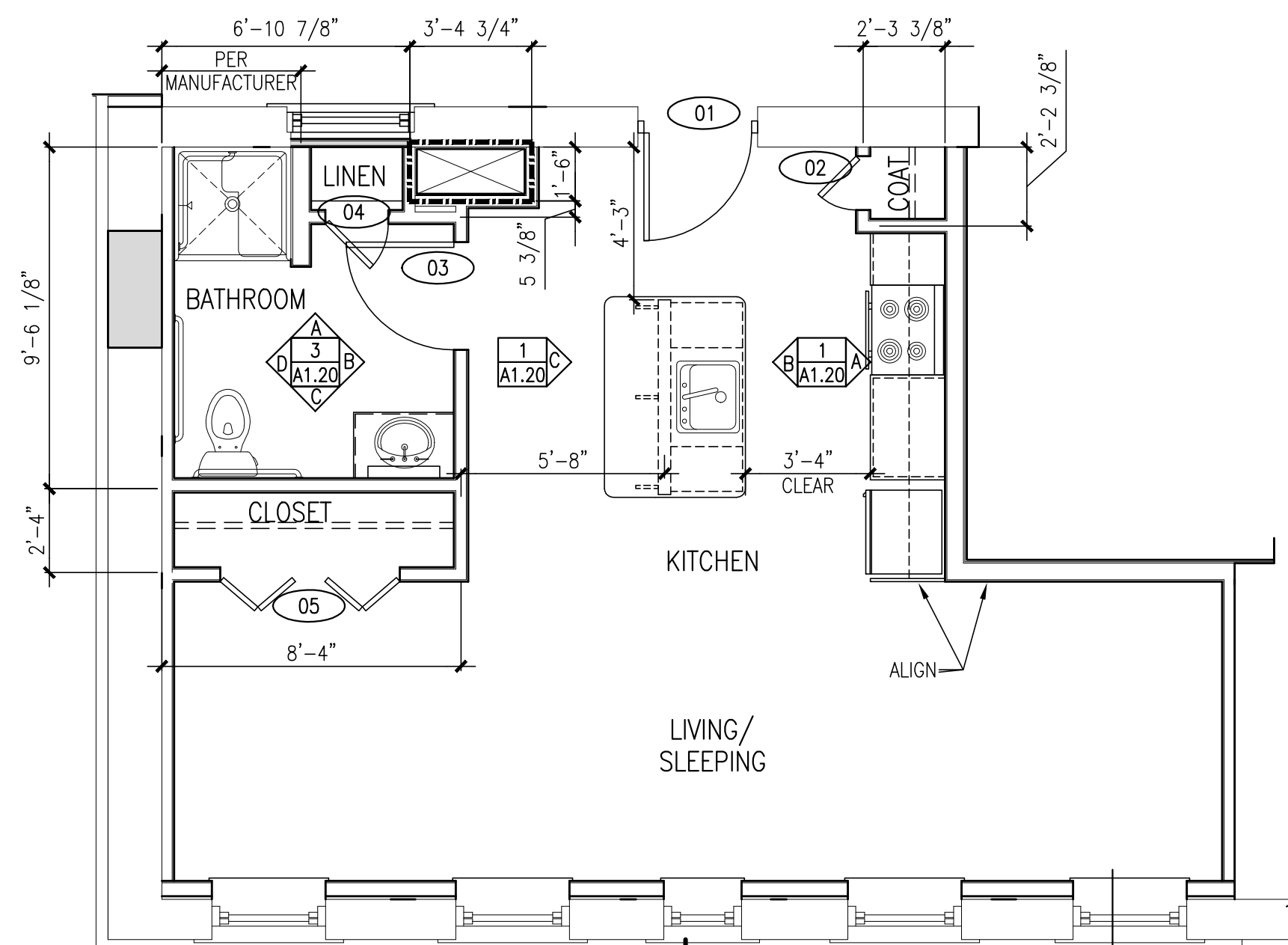
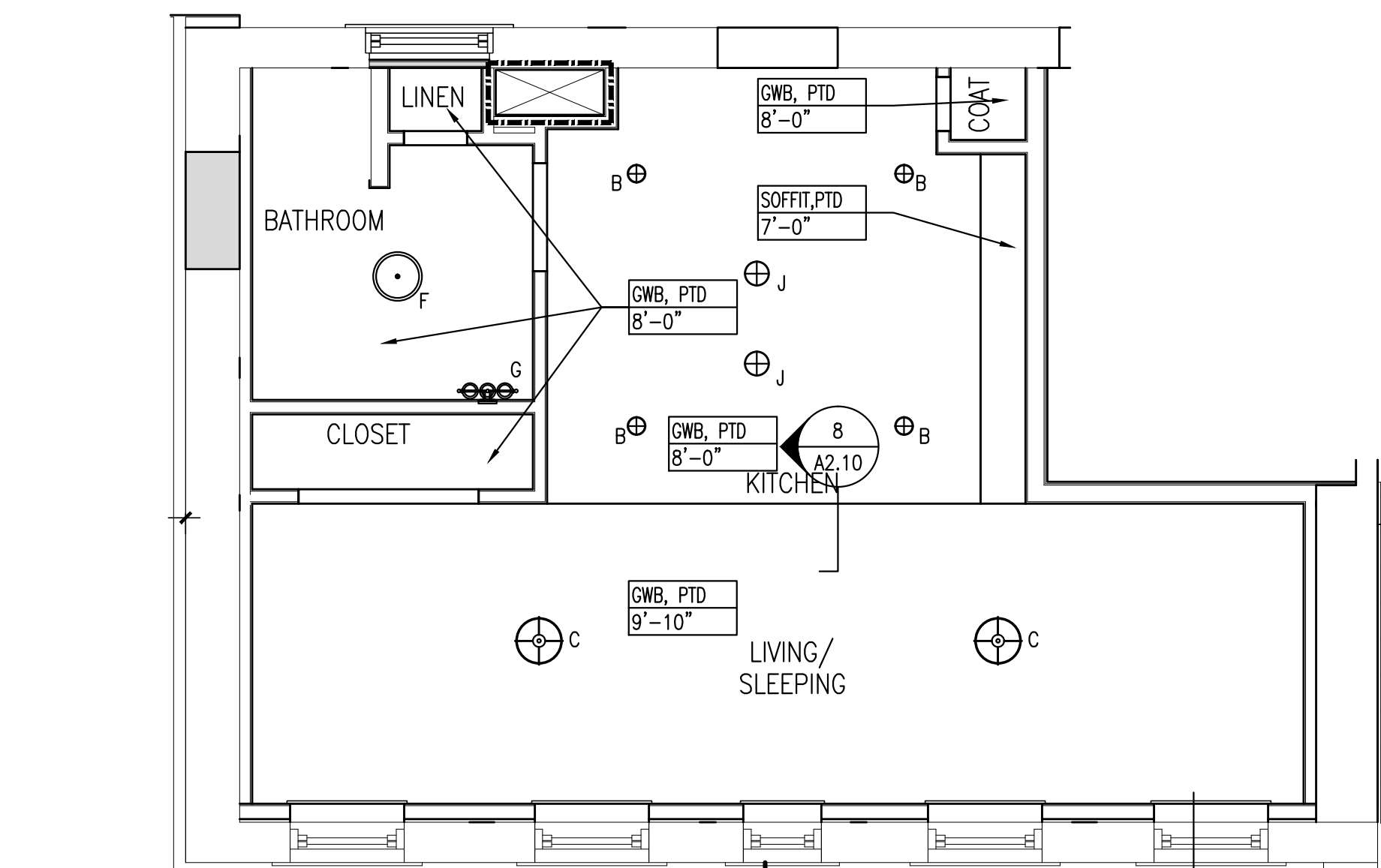
SCALE: 3/8" = 1'-0"

4 KITCHEN SINK/ DINING BAR DETAIL

REFERENCED FROM: KITCHEN ELEVATIONS

SCALE: 1" = 1'-0"

- NOTE:
 1. REFER TO A9.32 FOR TRANSITION DETAILS (TR)
 2. ROOM DIMENSIONS AND SQUARE FOOTAGES ARE INFORMATIONAL ONLY AND SHALL NOT BE USED FOR CONSTRUCTION PURPOSES.
 3. ROOM DIMENSIONS ARE FROM FACE OF FINISH WALL TO FACE OF FINISHED WALL.



A UNIT TYPE OA-HC-1 - REFLECTED CEILING PLAN

REFERENCED FROM: UNIT 307

SCALE: 1/4" = 1'-0"

B UNIT TYPE OA-HC-1 - DIMENSIONAL PLAN

REFERENCED FROM: UNIT 307

SCALE: 1/4" = 1'-0"

C UNIT TYPE OA-HC-1 - LAYOUT FLOOR PLAN

REFERENCED FROM: UNIT 307

SCALE: 1/4" = 1'-0"

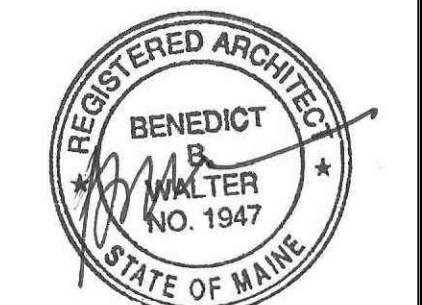


CWS Architects

Architecture
 Space Planning
 Value Design

434 Cumberland Avenue
 Portland, ME 04101
 Phone: (207)774-4441
 Fax: (207)774-4016

www.CWSarch.com



Owner:

Children's Hospital Housing Partners, LP

309 Cumberland Ave.
 Suite 203
 Portland, Maine 04101

CONSTRUCTION MANAGER:

WRIGHT-RYAN CONSTRUCTION

10 DANFORTH STREET
 PORTLAND, ME 04101
 TEL: (207) 773-3625

ELM TERRACE

68 HIGH STREET
 PORTLAND, MAINE

Project No: 09428

Drawing Title:

TYPE OA-HC-1 FLOOR PLANS, RCP, INT. ELEVS

Scale: AS NOTED

Date: ISSUED SEPTEMBER 8, 2011

Revisions:

- △ MAINE HOUSING CONCEPT SUBMISSION 02-01-2011
- △ HISTORIC PRESERVATION SUBMISSION 03-23-2011
- △ 50% MAINEHOUSING REVIEW 04-01-2011
- △ 90% MAINEHOUSING REVIEW 06-03-2011
- △ NPS SUBMISSION 07-01-2011
- △ ISSUED SEPTEMBER 8, 2011

Drawing Number:

A1.20