

Developer
 Tate Street Partnership, LLC
 17 Chestnut Street
 Portland, Maine, 04101

Structural Design
 SDC
 MEP: Design/Build

Architect
ARCHITECTYPE
 architects
 48 Union Wharf Portland, Maine 04101
 (207) 772-6022 Fax (207) 772-4056

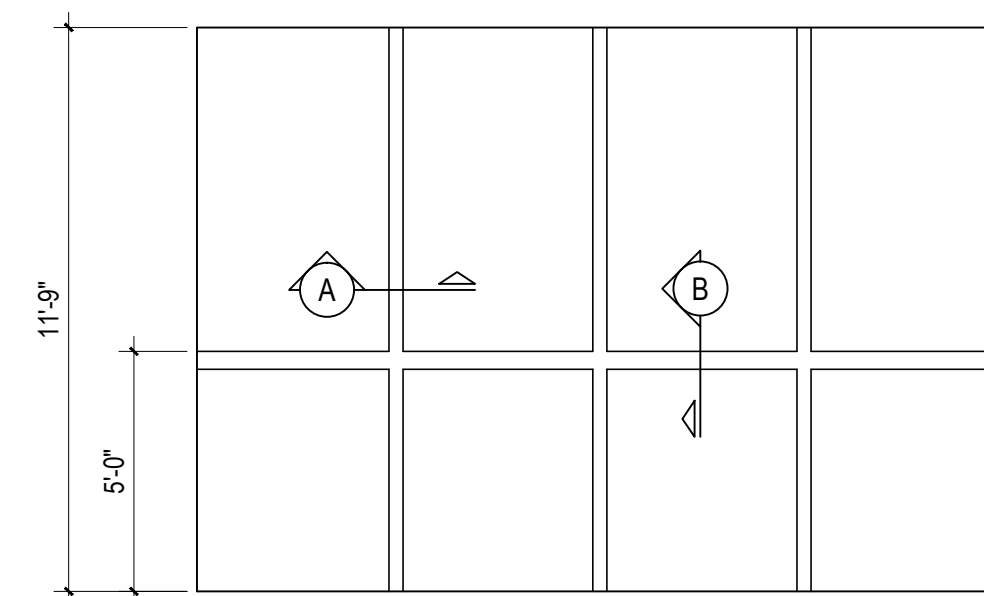
Project:
 West Port Lofts Condominiums
 8 Unit Apartment Building
 22-28 Tate Street, Portland, Maine, 04101
 Tax Map 44, Block E, Lots 15, 17, & 19

for construction permit

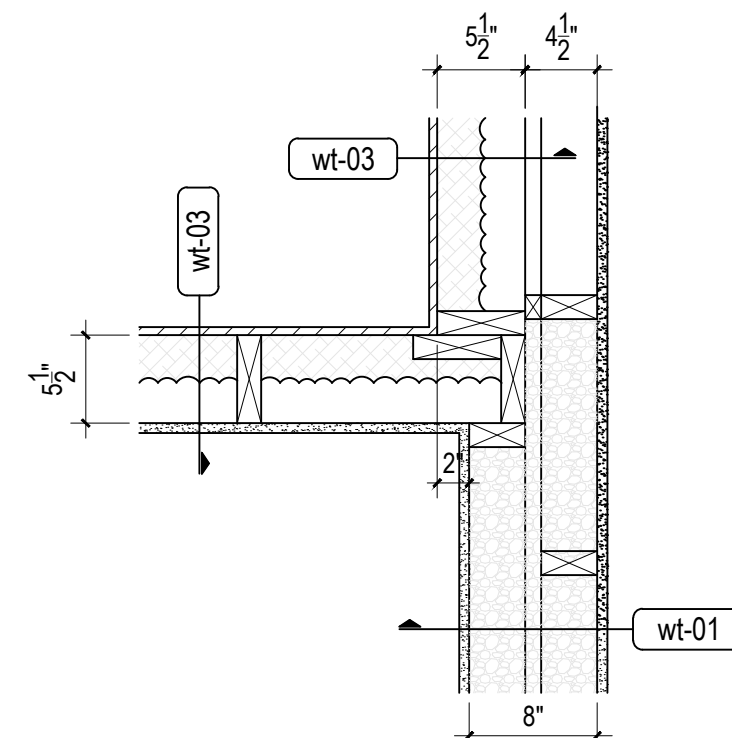
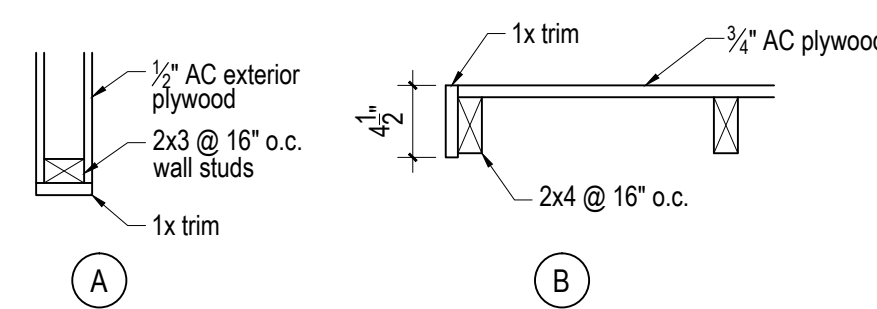
Date:
 March 30 2016

1st Floor Plan

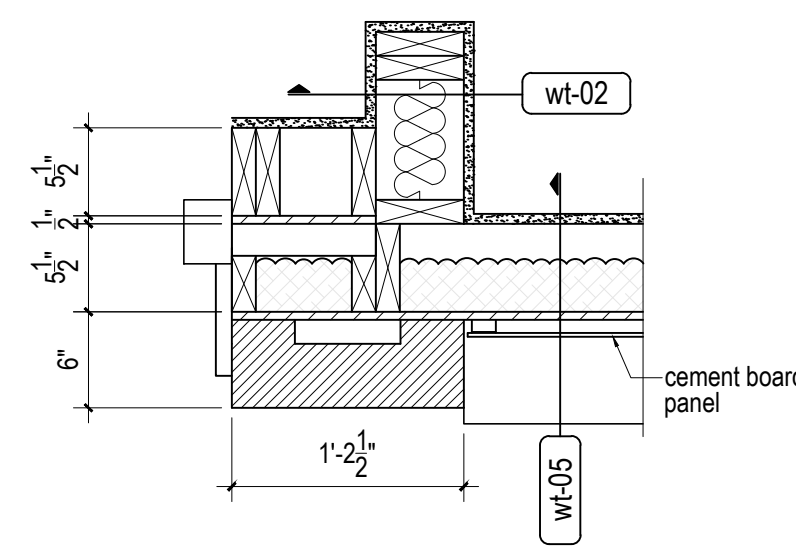
A1.01



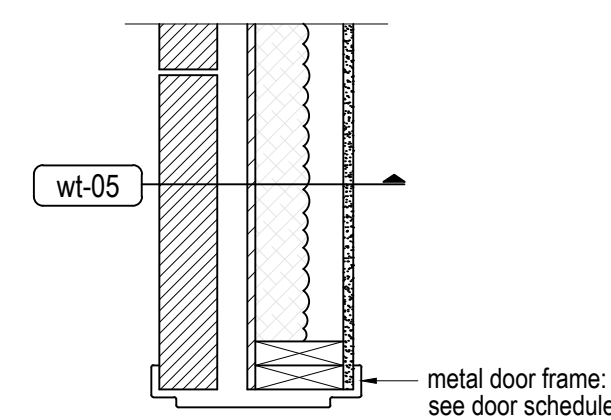
2 Storage Room Cubbies
 1/4" = 1'-0"



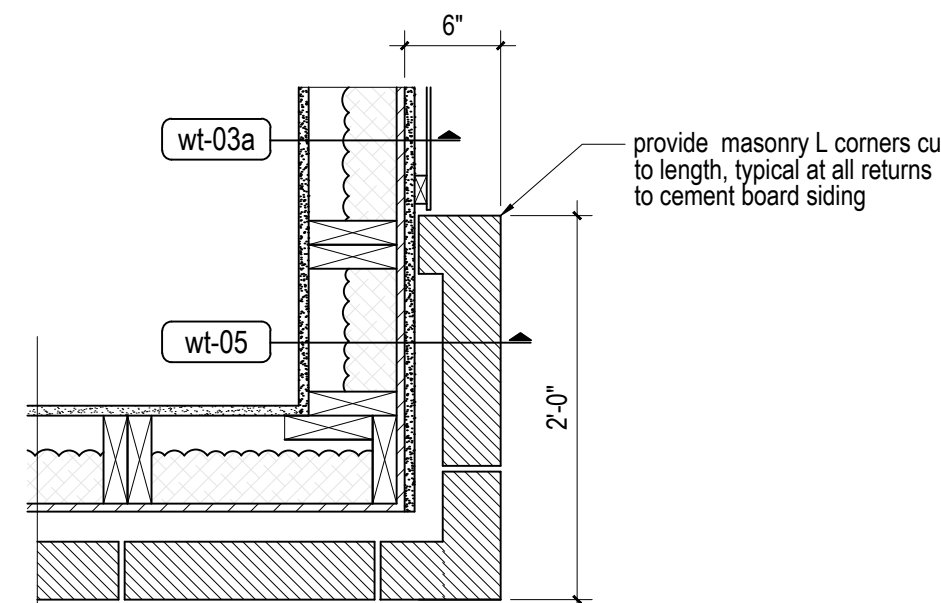
9 Plan Detail
 1" = 1'-0"



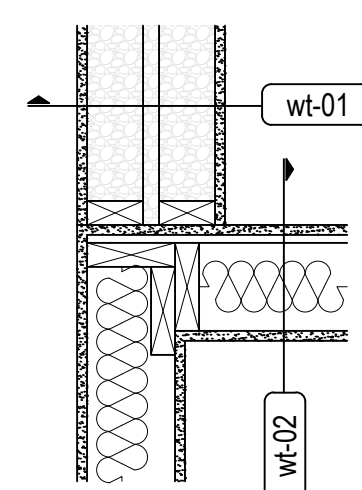
10 Plan Detail
 1" = 1'-0"



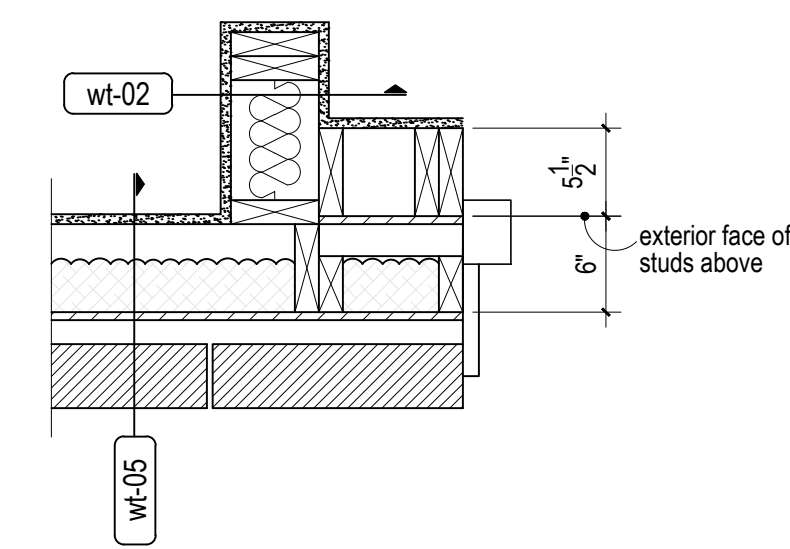
7 Plan Detail
 1" = 1'-0"



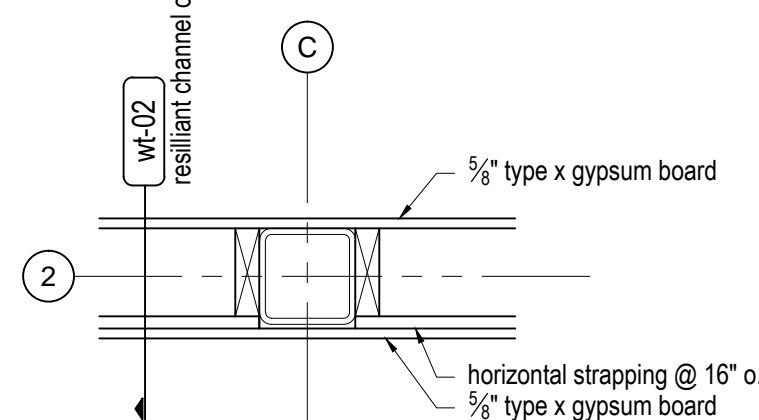
8 Wall Intersection Detail
 1" = 1'-0"



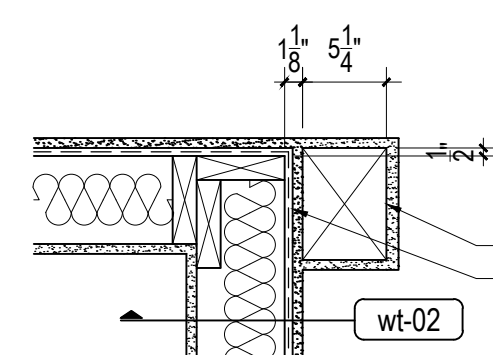
5 Wall Intersection Detail
 1" = 1'-0"



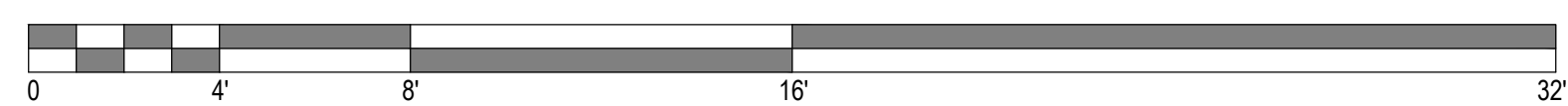
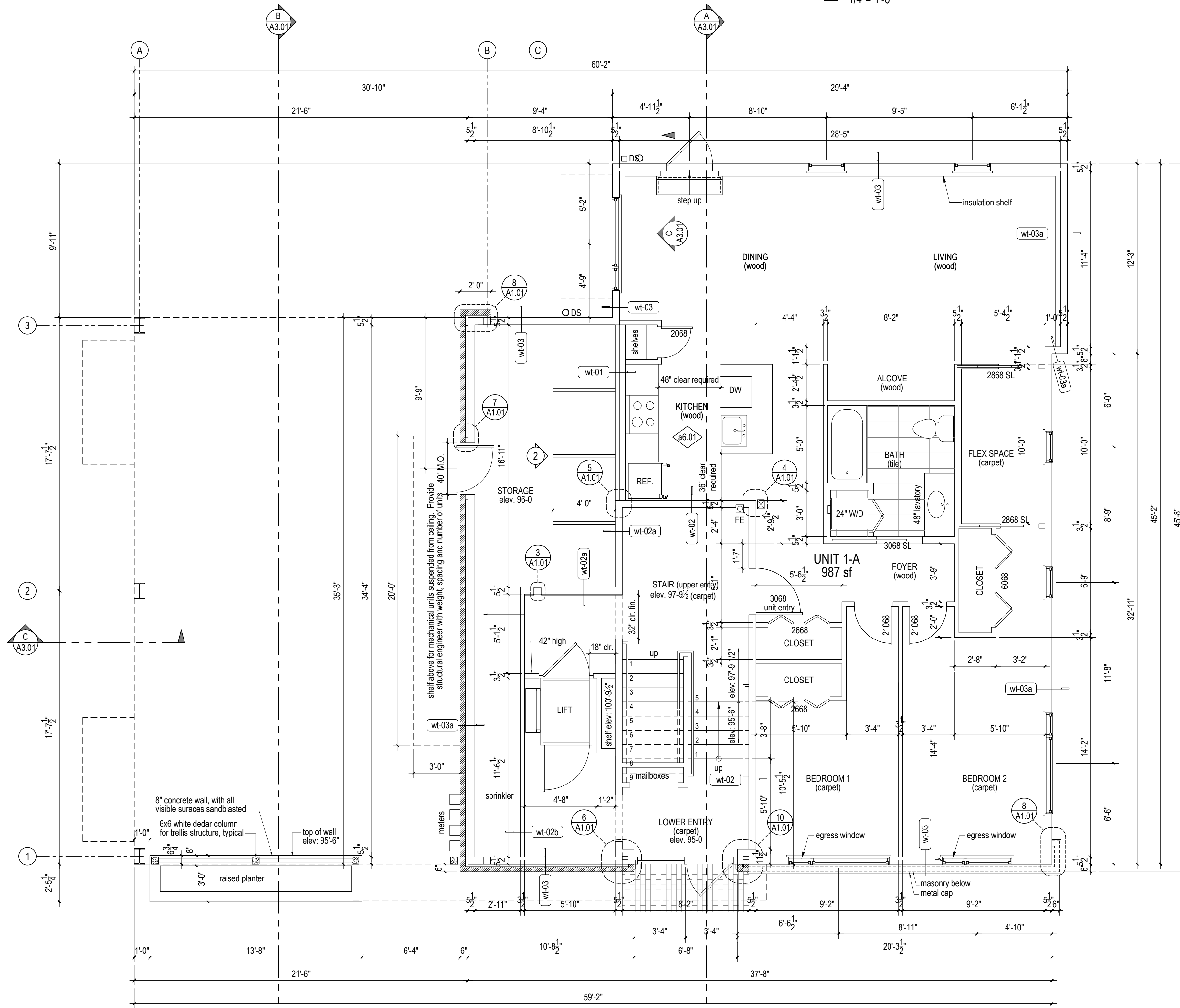
6 Wall Intersection Detail
 1" = 1'-0"



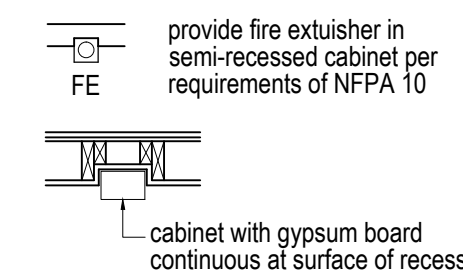
3 Plan Detail at Column
 1" = 1'-0"



4 Plan Detail at Column in Apartments
 1" = 1'-0"



1 1st Floor Plan
 1/4" = 1'-0" 1640 sf, gross floor area



LIFT:
 Savaria MultiLift, variant 64117.