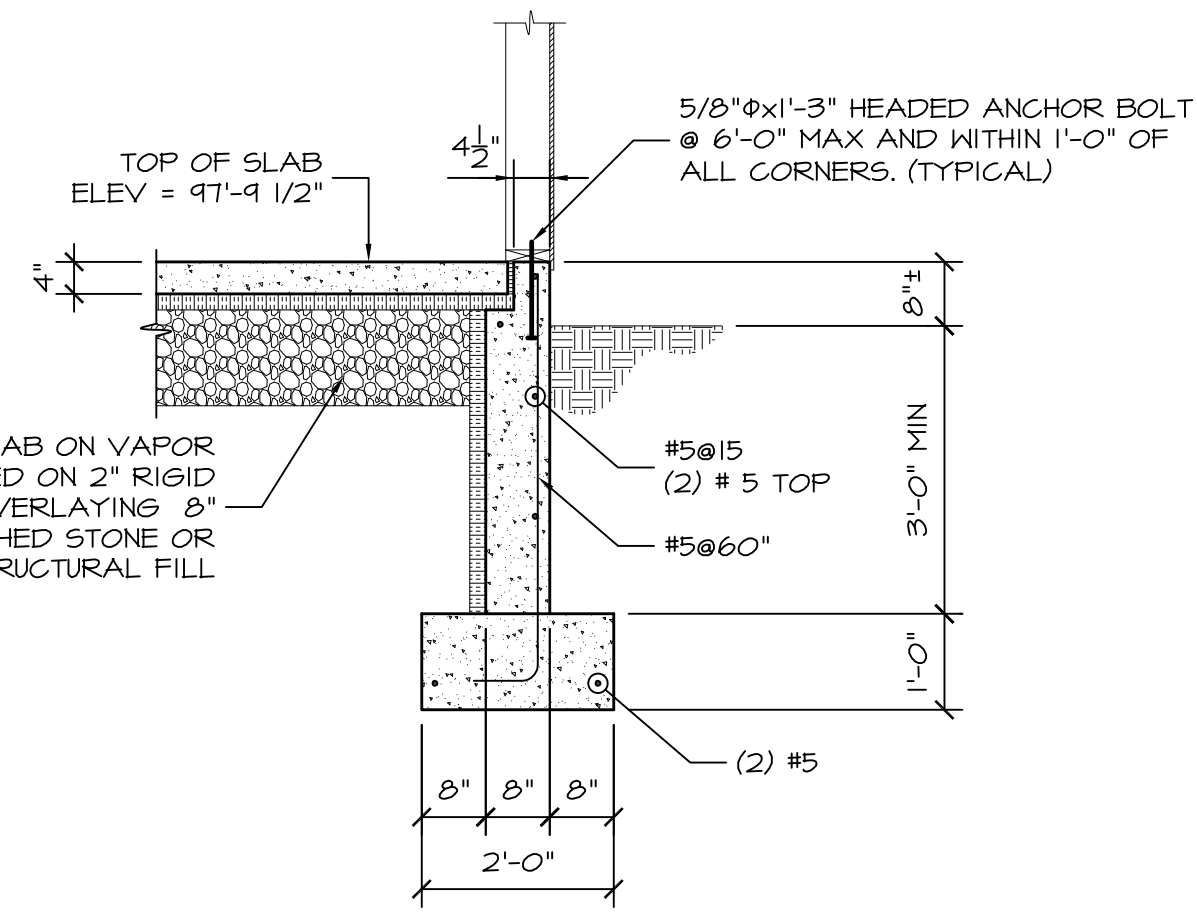


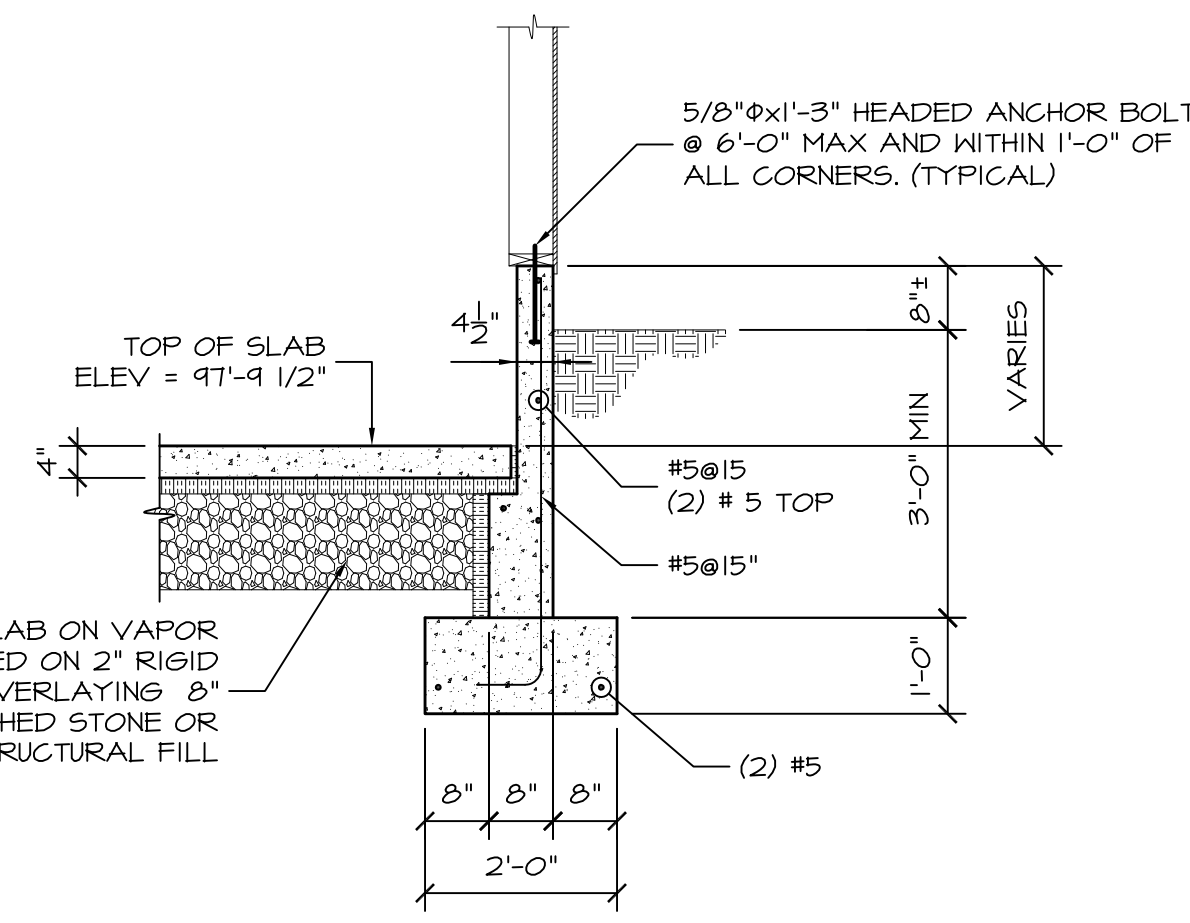
TOP OF WALL AT DOORS
3/4"=1'-0"

SEE ARCH. AND LANDSCAPE FOR EXTERIOR ENTRY DETAILS



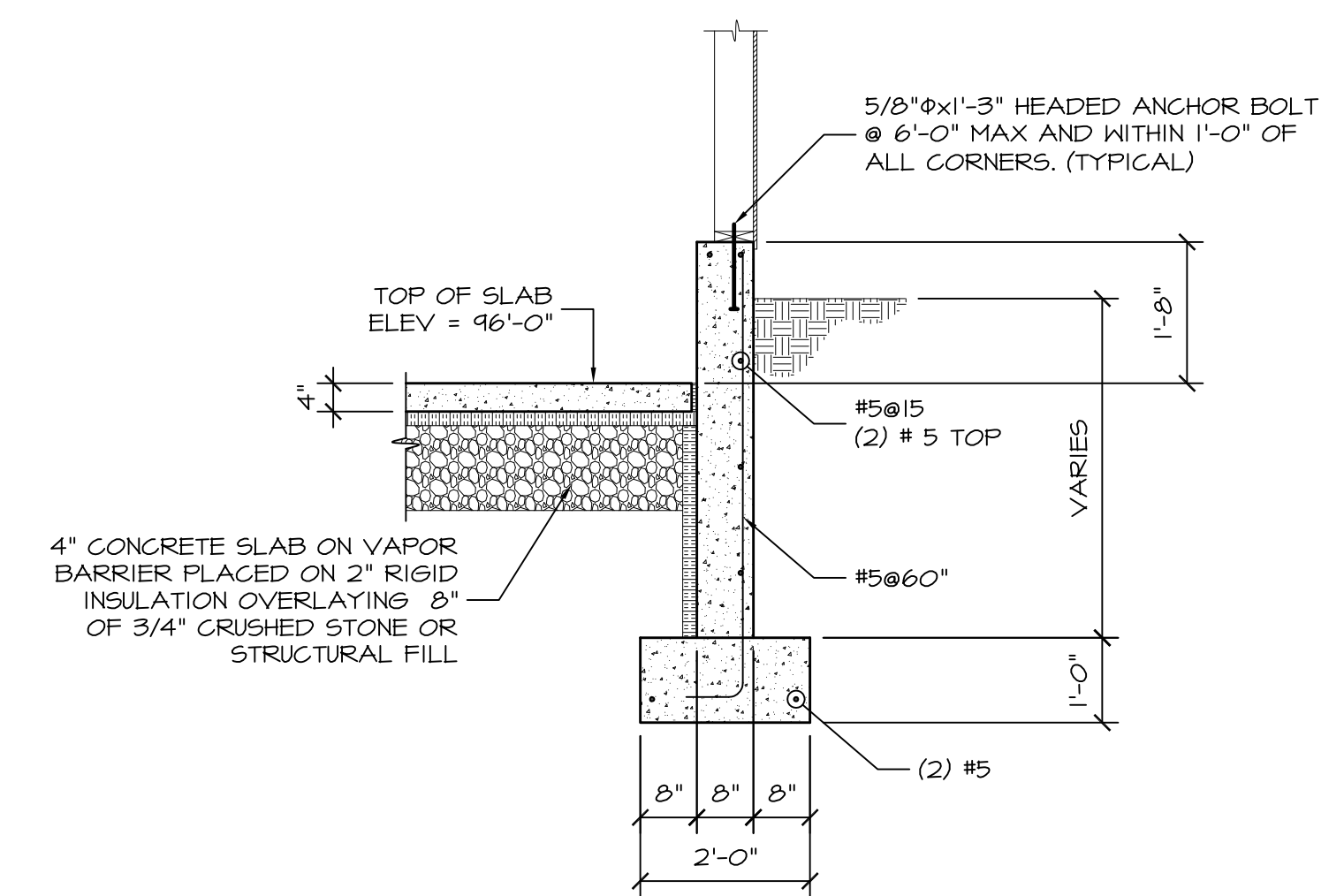
SECTION 1
1/2"=1'-0" S1.01

SEE S1.01 FOR BOTTOM OF FOOTING ELEVATIONS



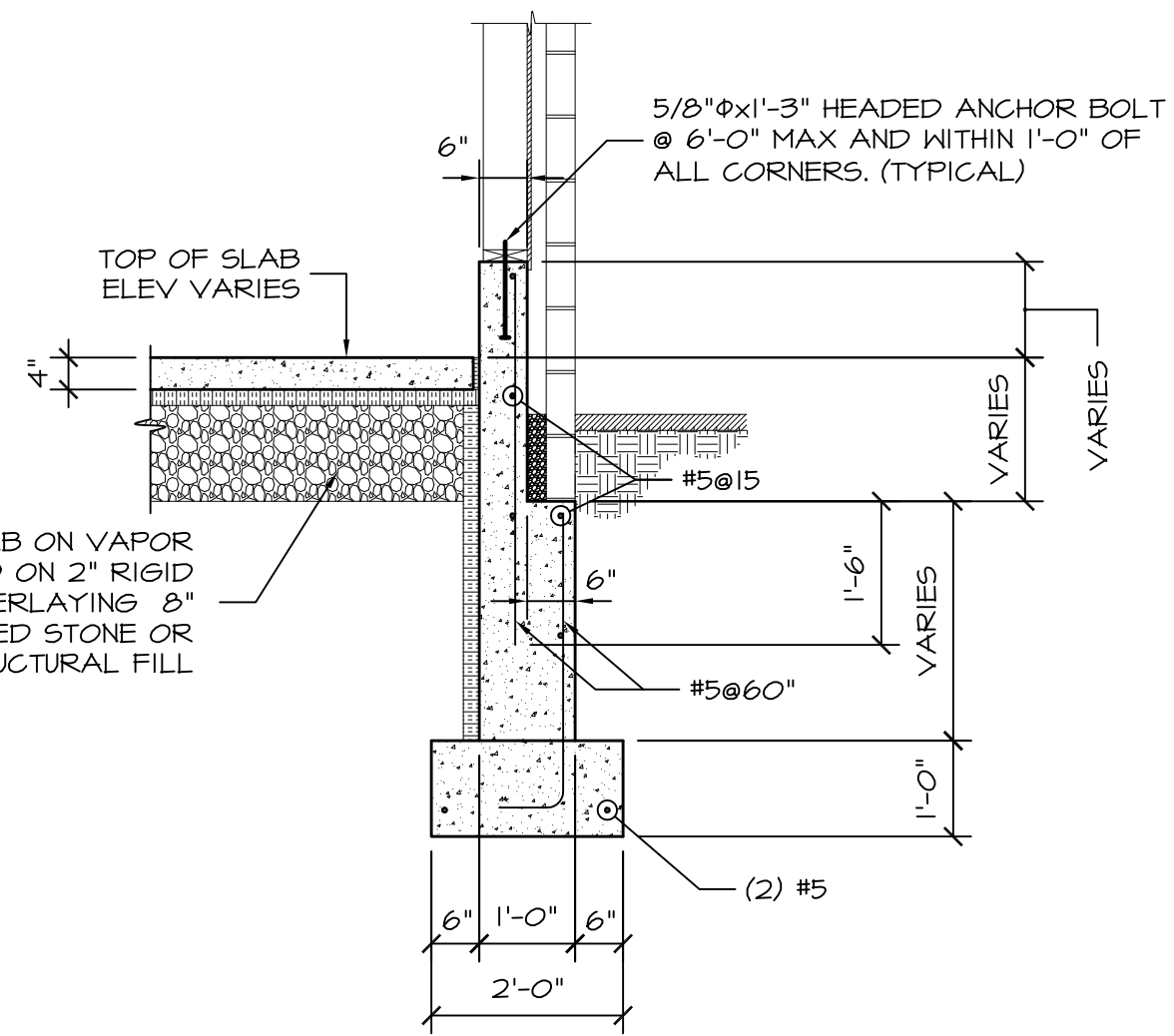
SECTION 2
1/2"=1'-0" S1.01

SEE S1.01 FOR TOP OF WALL AND BOTTOM OF FOOTING ELEVATIONS



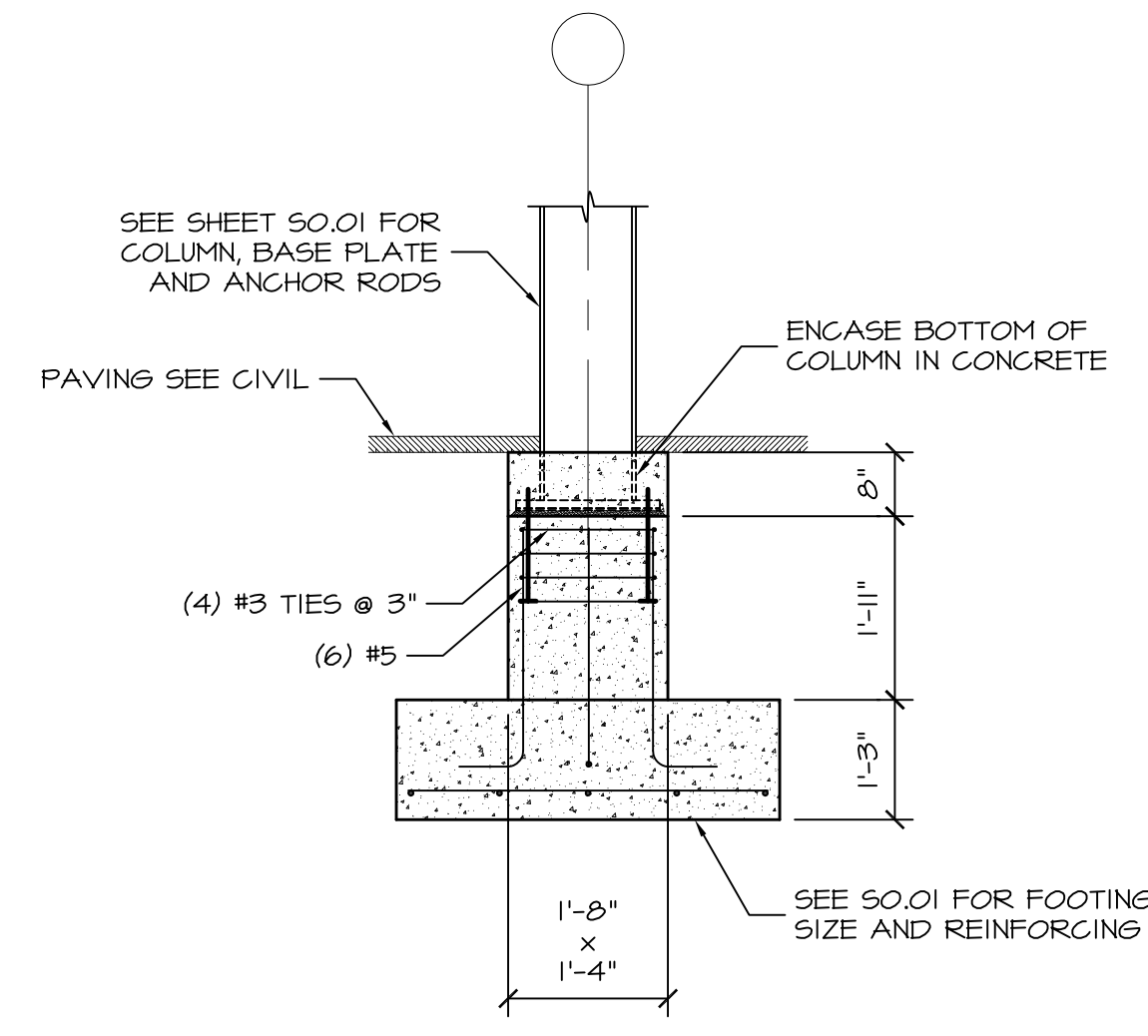
SECTION 3
1/2"=1'-0" S1.01

SEE S1.01 FOR BOTTOM OF FOOTING ELEVATIONS



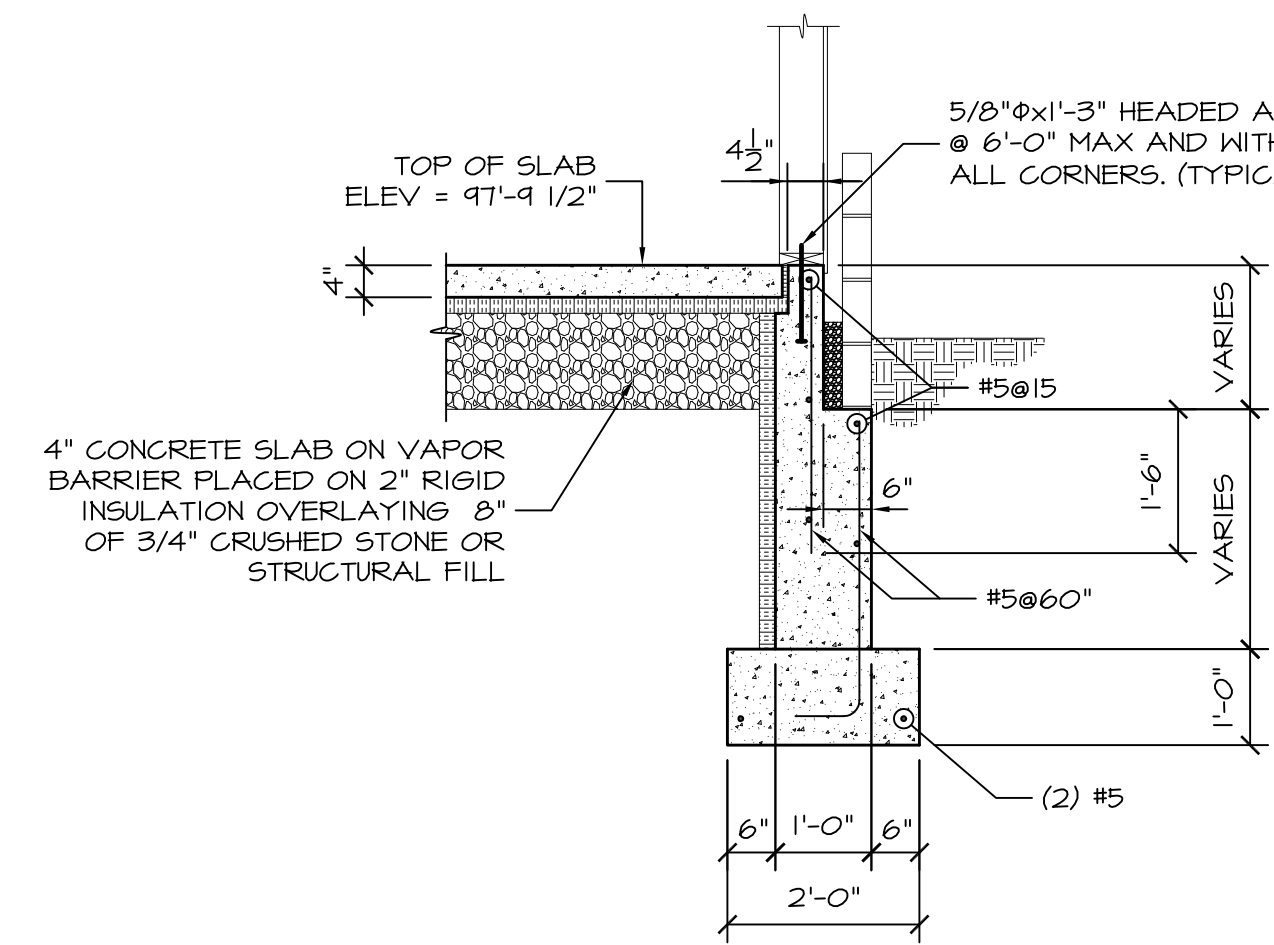
SECTION 4
1/2"=1'-0" S1.01

SEE S1.01 FOR TOP OF WALL, SLAB AND MASONRY SHELF AND FOR BOTTOM OF FOOTING ELEVATIONS



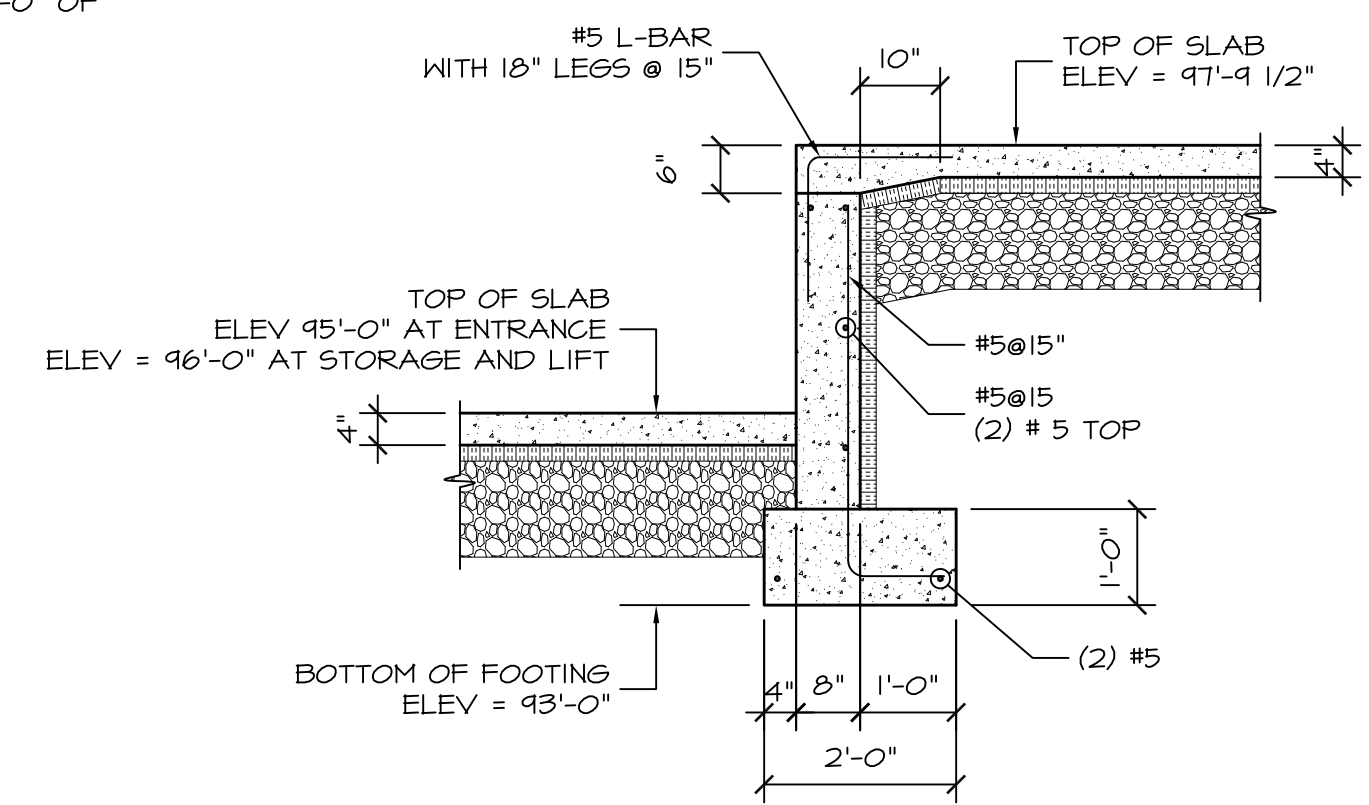
SECTION 5
1/2"=1'-0" S1.01

SEE S1.01 FOR TOP OF PIER AND BOTTOM OF FOOTING ELEVATIONS

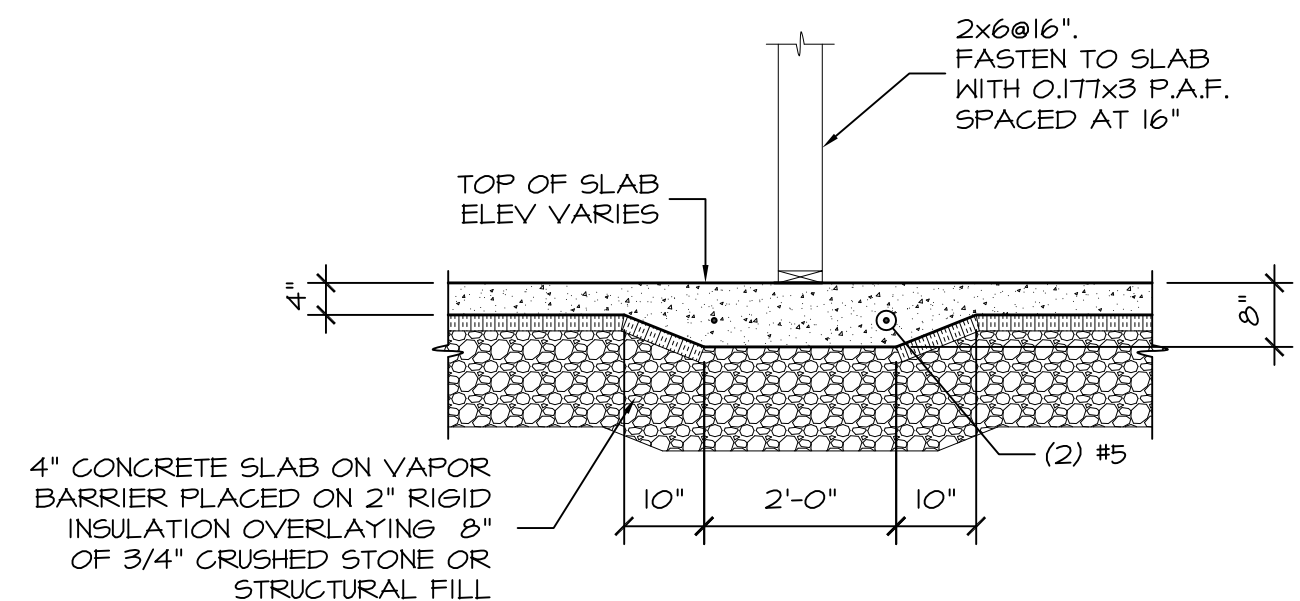


SECTION 6
1/2"=1'-0" S1.01

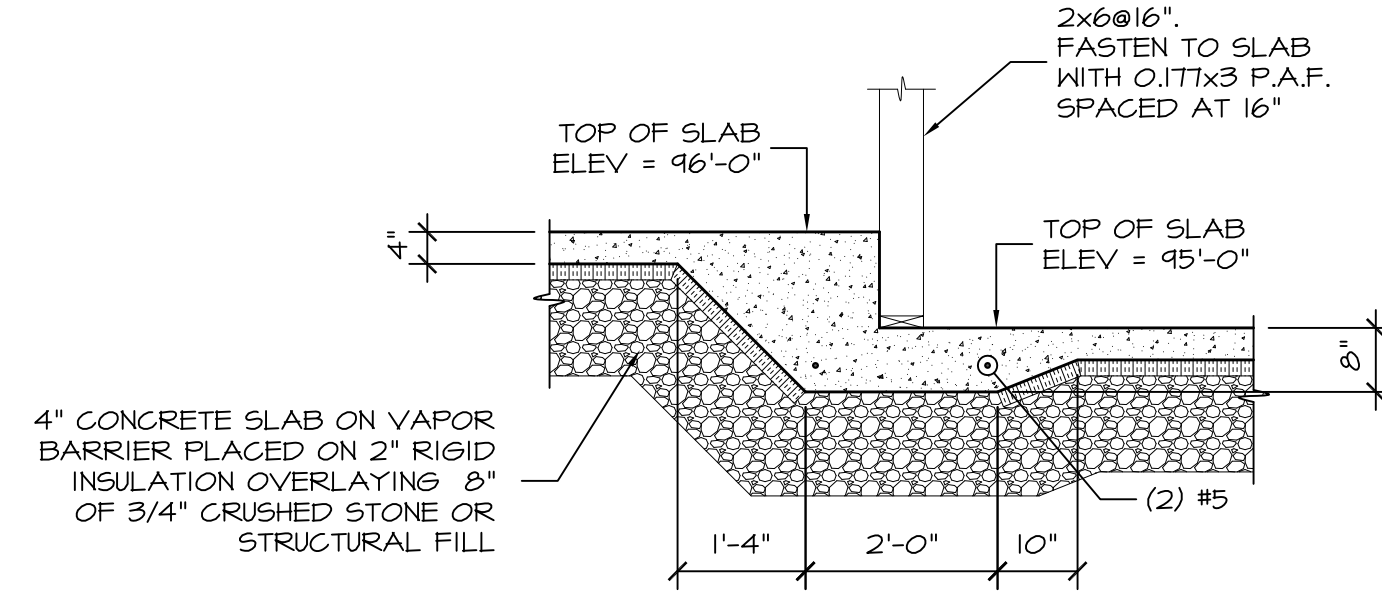
SEE S1.01 FOR TOP MASONRY SHELF AND BOTTOM OF FOOTING ELEVATIONS



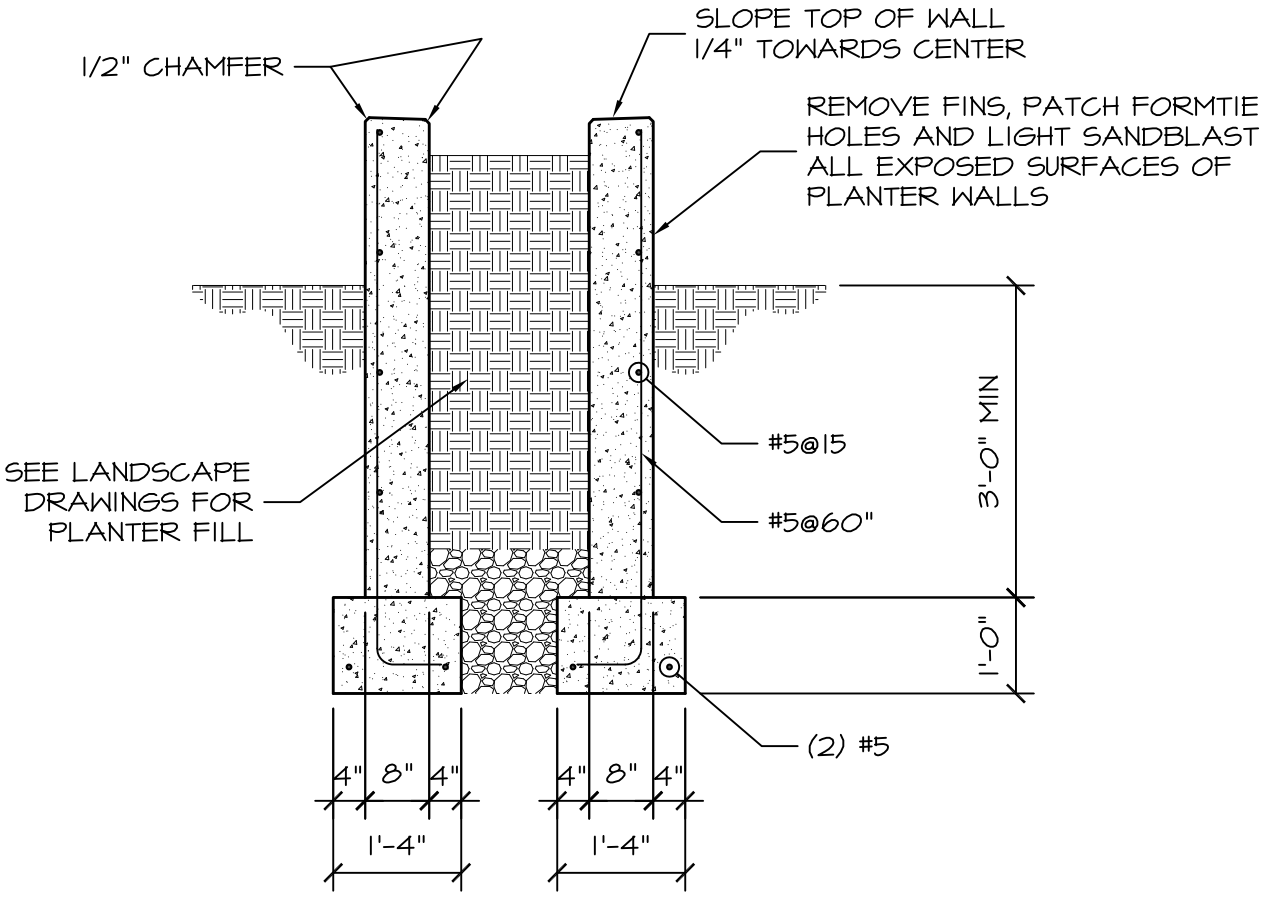
SECTION 7
1/2"=1'-0" S1.01



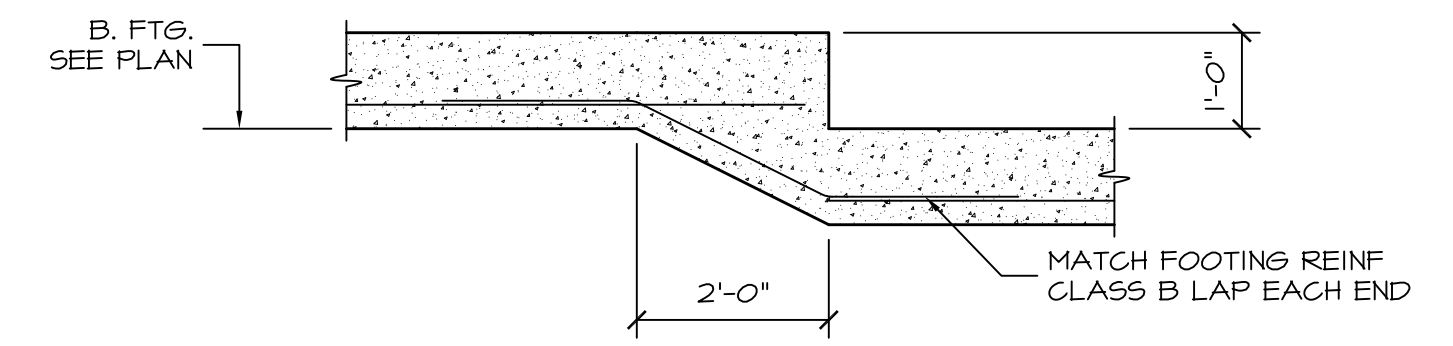
SECTION 8
1/2"=1'-0" S1.01



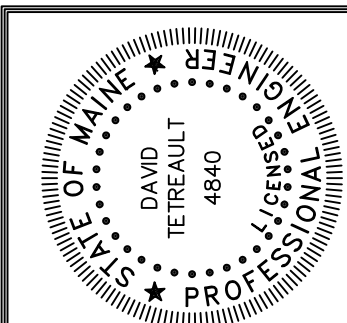
SECTION 9
1/2"=1'-0" S1.01



SECTION 10
1/2"=1'-0" S1.01



TYPICAL STEPPED FOOTING DETAIL
1/2"=1'-0"



Prepared For:
TATE STREET PARTNERSHIP, LLC
17 Chestnut Street
Portland, Maine 04101

Consulting Engineer:
STRUCTURAL DESIGN CONSULTING
2696 Lake Shore Road
Litchfield, NH 03249
Tel: 603.293.6038

Architect:
ARCHETYPE architects
48 Union Wharf Portland, Maine 04101
(207) 772-6022 Fax (207) 772-4056

Project:
WEST PORT LOFTS
22-28 Tate Street
Portland, Maine

Revisions:
Issued for Foundation Permit 03/21/16

Date:
21 MAR 2016

Scale:
As Noted

FOUNDATION SECTIONS

S2.01