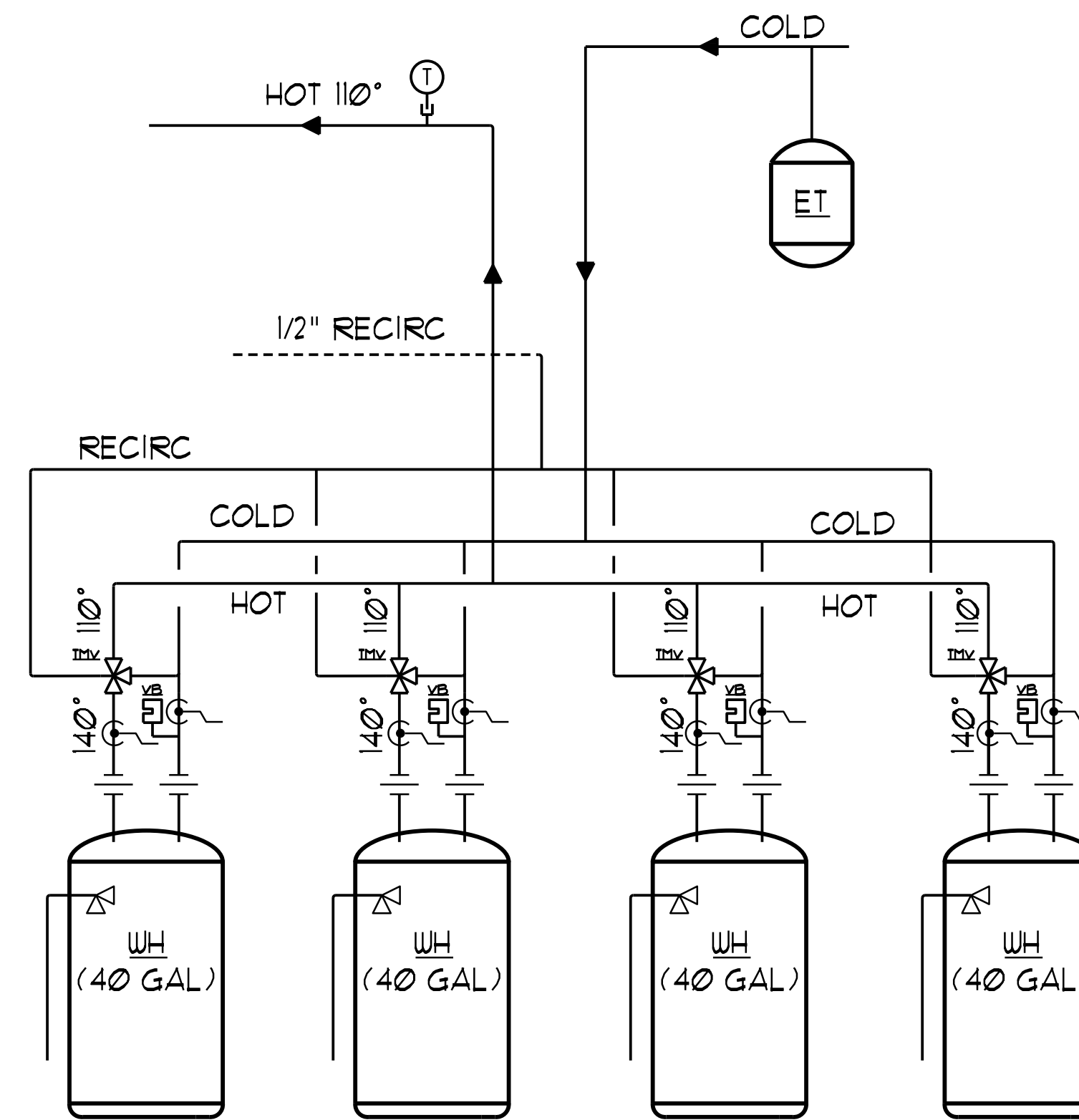


PLUMBING FIXTURE SCHEDULE

plumbing fixtures	Brand	Model
P-1 toilet	Kohler	K3998
toilet seat	Kohler	K4636
stop / supply	chrome	
P-2 drop in lav K2196-4	Kohler	K2196-4
lavatory faucet	Mben	6610
supplies / stops	chrome	
P-3L LHtub/shower	Oasis	TS-6032L
P-3R RHtub/shower	Oasis	TS-6032-R
tub/shower valve	Mben	T2151/2520
Trip waste	Gerber	41-813
P-5 kitchen sink	Mben	G182113
Kitchen faucet	Mben	7185C
basket strainers	chrome	
VH Hot water heater	HIP	HIP EVCO90-CVA030N
BFP Backflow preventor	Watts	909 RFPZ
FPHB Frost-Proof Hose Bibb		

water piping sizing	Qty	FU	Total FU
shower	8	2	16
toilet	8	2.5	20
lavatory	8	1	8
Kit sink	8	1.5	12
CW	8	4	32
DW	8	1.5	12
Hose Bibb	2	2.5	5
total FU			105

UPC Sizing Guide	
45-60 PSI	151 FU
1-1/2 water main	
3/4 branch to units	
4" PVC for sewer main	



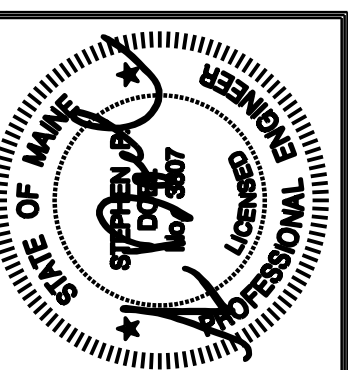
DOMESTIC HOT WATER PIPING SCHEMATIC

NTS

MECHANICAL AND PLUMBING SYMBOLS AND ABBREVIATIONS LEGEND

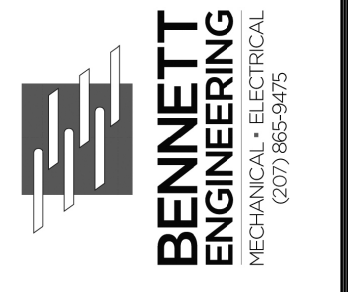
NOTE - USE SYMBOLS AND ABBREVIATIONS AS APPLICABLE FOR THIS MECHANICAL DRAWING SET. SOME SYMBOLS AND ABBREVIATIONS IN THIS LEGEND MAY NOT APPLY.

SYMBOL	DESCRIPTION	SYMBOL	DESCRIPTION	ABBREVIATION	DESCRIPTION	ABBREVIATION	DESCRIPTION	ABBREVIATION	DESCRIPTION	ABBREVIATION	DESCRIPTION	ABBREVIATION	DESCRIPTION
—CA—	COMPRESSED AIR PIPING (CA)	∅	BALL VALVE	AAV	AUTOMATIC AIR VENT	EA	EXHAUST AIR	HP	HORSEPOWER	PSIA	POUNDS PER SQUARE INCH ABSOLUTE	VAV-*	VARIABLE AIR VOLUME BOX TAG
—C—	CONDENSATE DRAIN PIPING (C)	∅	BALL VALVE	AD	ACCESS DOOR	EAT	ENTERING AIR TEMPERATURE	HRV-*	HEAT RECOVERY VENTILATOR TAG	PSIG	POUNDS PER SQUARE INCH GAGE	VB	VACUUM BREAKER
—CTR—	COOLING TOWER RETURN PIPING (CTR)	∅	3/4" BALL VALVE WITH 3/4" HOSE END	AF	ABOVE FINISHED FLOOR	EDB	ENTERING DRY BULB	HU	HOT WATER	PVC	POLYVINYL CHLORIDE (PIPE)	VFD	VARIABLE FREQUENCY INVERTER DRIVE
—CTS—	COOLING TOWER SUPPLY PIPING (CTS)	∅	GATE VALVE	AFF	AIR FLOW MONITORING STATION	EDC-*	ELECTRIC DUCT COIL TAG	HWS/R	HOT WATER SUPPLY AND RETURN	RA	RETURN AIR	VTR	VENT THRU ROOF
—CWR—	CHILLED WATER RETURN PIPING (CWR)	∅	PRESSURE REDUCING VALVE	AHU-*	AIR HANDLING UNIT TAG	EER	ENERGY EFFICIENCY RATIO	I-B-R	INSTITUTE OF BOILER AND RADIATOR MANUFACTURERS	RD	ROOF DRAIN	V/PH/Hz	VOLTS/PHASES/HERTZ
—CWS—	CHILLED WATER SUPPLY PIPING (CWS)	∅	FUSIBLE VALVE	AMS	AIR FLOW MONITORING STATION	EF-*	EXHAUST FAN TAG	IFWH-*	INDIRECT FIRED WATER HEATER TAG	RDE	RECOMMENDED DUAL ELEMENT FUSE AMPS	WB	WET BULB
—FOR—	FUEL OIL RETURN PIPING (FOR)	∅	2-WAY CONTROL VALVE	AMPS	AMPERES	EG-*	EXHAUST GRILLE TAG	IN	INCHES	RG-*	RETURN GRILLE TAG	WG	WATER GAGE
—FOS—	FUEL OIL SUPPLY PIPING (FOS)	∅	STRAINER W/BLOWDOWN BALL VALVE	AP	ACCESS PANEL	ER-*	EXHAUST REGISTER TAG	IV-*	INTAKE VENT TAG	RHW	RECIRCULATED HOT WATER	WPD	WATER PRESSURE DROP
—G—	GAS PIPING (G)	∅	2-WAY CONTROL VALVE	APD	AIR PRESSURE DROP	ESP	EXTERNAL STATIC PRESSURE	L-*	LOUVER TAG	RLA	RUNNING LOAD AMPS	WSA	WIRE SIZING AMPS
—HWR—	HOT WATER RETURN PIPING (HWR)	∅	SOLENOID VALVE	AS-*	AIR SEPARATOR TAG	ET-*	EXPANSION TANK TAG	LAT	LEAVING AIR TEMPERATURE	RPM	REVOLUTIONS PER MINUTE	WTD	WATER TEMPERATURE DROP
—HWS—	HOT WATER SUPPLY PIPING (HWS)	∅	3-WAY CONTROL VALVE	ATC	AUTOMATIC TEMPERATURE CONTROL	EWB	ENTERING WET BULB	LB	FOUNDS	RPS	REVOLUTIONS PER SECOND	W	WITH
—RL—	REFRIGERANT LIQUID PIPING (RL)	∅	3-WAY CONTROL VALVE (TOP VIEW)	B-*	BOILER TAG	EUT-*	ELECTRIC WATER HEATER TAG	LD-*	LINEAR DIFFUSER TAG	RPZ	REDUCED PRESSURE ZONE	ZD-*	ZONE DAMPER TAG
—RG—	REFRIGERANT GAS PIPING (RG)	∅	4-WAY CONTROL VALVE (TOP VIEW)	BD-*	BYPASS DAMPER TAG	EWB	ENTERING WATER TEMPERATURE	LTHWS/R	LOW TEMPERATURE HOT WATER	RR-*	RETURN REGISTER TAG		
-----	SANITARY PIPING BELOW FLOOR (SAN)	∅	2 BUTTERFLY VALVES W/SINGLE ACTUATOR	BFP-*	BACKFLOW PREVENTER TAG	EXG	EXISTING	LRA	LOCKED ROTOR AMPS	RTU	ROOM TEMPERATURE SENSOR		
-----	SANITARY PIPING ABOVE FLOOR (SAN)	∅	BUTTERFLY VALVE W/ACTUATOR	BHP	BRAKE HORSEPOWER	EXH	EXHAUST	LWCO	LOW WATER CUTOUT	RV	RELIEF VALVE		
-----	SANITARY VENT PIPING	∅	TRIPLE-DUTY VALVE	BTUH	BRITISH THERMAL UNITS PER HOUR	FC	FLEXIBLE CONNECTION	LWT	LEAVING WATER TEMPERATURE	RUL	RAINWATER LEADER		
-----	RAINWATER LEADER ABOVE SLAB (RUL)	∅	UNION	CBD	COUNTER BALANCED DAMPER	FCO	FLOOR CLEANOUT	MAX	MAXIMUM	SA	SUPPLY AIR		
-----	COLD WATER PIPING (CW)	∅	PIPE FLANGE	CC-*	COOLING COIL TAG	FD	FIRE DAMPER	MEH	THOUSANDS OF BTU PER HOUR	SAN	SANITARY (DRAIN & WASTE)		
-----	HOT WATER PIPING (HW)	∅	PUMP WITH FLANGES	CFM	CUBIC FEET PER MINUTE	FLA	FLOOR DRAIN TAG	MCA	MINIMUM CIRCUIT AMPACITY	SD	SMOKE DAMPER		
-----	RECIRCULATED HOT WATER PIPING (RHW)	∅	BASE MOUNTED PUMP	CHLR-*	CHILLER TAG	FLM	FULL LOAD AMPS	MIN	MINIMUM	SEER	SEASONAL ENERGY EFFICIENCY RATIO		
---	PIPE CAP	∅	CARTRIDGE TYPE INLINE PUMP	CO	CLEANOUT	FOR	FUEL OIL RETURN	NC	NOISE CRITERION	SF	SUPPLY FAN		
---	DIRECTION OF FLUID FLOW	∅	VERTICAL INLINE PUMP	CONV-*	CONVECTOR TAG	FOS	FUEL OIL SUPPLY	NIC	NOT IN CONTRACT	SG-*	SUPPLY GRILLE TAG		
---	ELBOW UP	∅	FLEXIBLE PIPE CONNECTION (FC)	CJH-*	CABINET UNIT HEATER TAG	CFM	CIRCULATING PUMP TAG	OA	OUTSIDE AIR	SP	STATIC PRESSURE		
---	ELBOW DOWN	∅	PITCH DOWN	CT-*	COOLING TOWER TAG	CW	COLD WATER	OB	OPPOSED BLADE DAMPER	SP-*	SUMP PUMP TAG		
---	PIPE TEE UP	∅	PETCOCK	CV	VALVE COEFFICIENT	CHWS/R	CHILLED WATER SUPPLY AND RETURN	OD	OUTSIDE DIAMETER	SR-*	SUPPLY REGISTER TAG		
---	PIPE TEE DOWN	∅	FLOW METER	CHWS/R	CHILLED WATER SUPPLY AND RETURN	DB	DRY BULB	SOFT	SQUARE FEET	SQFT	SQUARE FEET		
---	PIPE REDUCER	∅	PRESSURE GAGE WITH GAGE COCK	DB RE	DECIBELS RELATIVE TO	DB	DECIBELS	TEMP	TEMPERATURE DIFFERENTIAL	ΔT	TEMPERATURE DIFFERENTIAL		
---	PIPE WITH GUIDE	∅	THERMOMETER IN WELL	DC	DOUBLE CHECK	DB RE	DECIBELS RELATIVE TO	TEMP	TEMPERATURE	TEMP	TEMPERATURE		
---	PIPE WITH ANCHOR	∅	WATER FLOW SWITCH	DCA	DOUBLE CHECK ATMOSPHERIC	DB RE	DECIBELS RELATIVE TO	TEMP	TEMPERATURE	TEMP	TEMPERATURE		
---	BUTTERFLY VALVE	∅	PRESSURE SWITCH OR SENSOR	DEG F	DEGREES FAHRENHEIT	DB RE	DECIBELS RELATIVE TO	TEMP	TEMPERATURE	TEMP	TEMPERATURE		
---	OS 4 Y GATE VALVE	∅	IMMERSION TEMPERATURE SENSOR	DIA	DIAMETER	DB RE	DECIBELS RELATIVE TO	TEMP	TEMPERATURE	TEMP	TEMPERATURE		
---	BACKFLOW PREVENTER (BFP)	∅	DUCT MOUNTED SMOKE DETECTOR	DIW	DOWN IN WALL	DB RE	DECIBELS RELATIVE TO	TEMP	TEMPERATURE	TEMP	TEMPERATURE		
---	CHECK VALVE	∅	ROOM TEMPERATURE SENSOR	DN	DOWN	DB RE	DECIBELS RELATIVE TO	TEMP	TEMPERATURE	TEMP	TEMPERATURE		
---	BALANCING VALVE (ADJUSTABLE)	∅	THERMOSTAT OR SENSOR ON WALL			DB RE	DECIBELS RELATIVE TO	TEMP	TEMPERATURE	TEMP	TEMPERATURE		
---	AUTOMATIC FLOW CONTROL VALVE	∅				DB RE	DECIBELS RELATIVE TO	TEMP	TEMPERATURE	TEMP	TEMPERATURE		
---	RELIEF VALVE (RV)	∅				DB RE	DECIBELS RELATIVE TO	TEMP	TEMPERATURE	TEMP	TEMPERATURE		



Developer
Tate Street Partnership, LLC
17 Chestnut Street
Portland Maine, 04101

Eastern Mechanical Inc
MEP: Design/Build



Project:
West Port Lofts Condominiums
8 Unit Apartment Building
22-28 Tate Street, Portland Maine, 04101
Tax Map 44, Block E, Lots 15,17, & 19

Issued for Permit Only
Not for Construction

Date:
May 24, 2016
Plumbing Details &
Schedules

P2.01