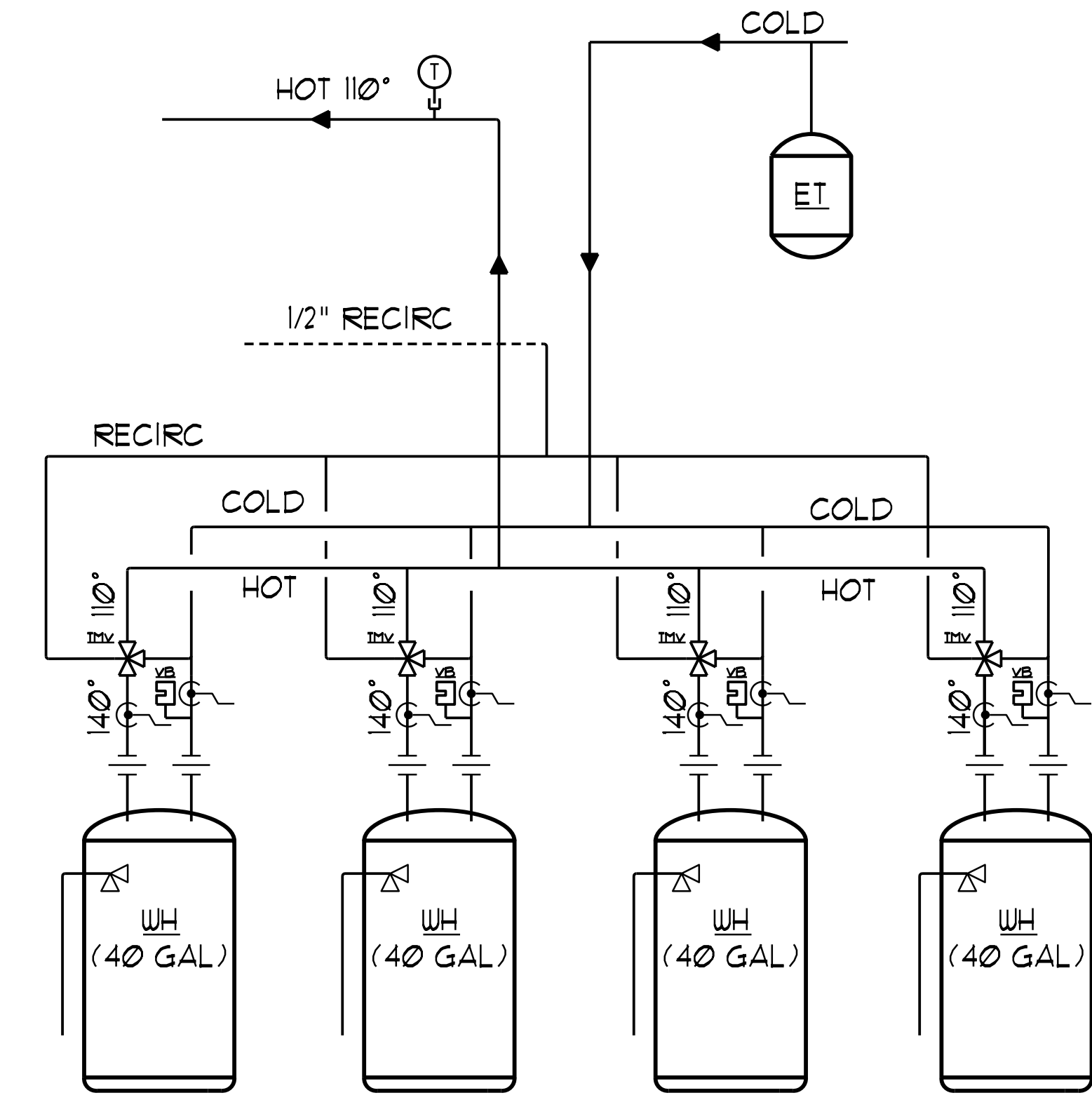


PLUMBING FIXTURE SCHEDULE

plumbing fixtures	Brand	Model
P-1	Kohler	K3998
toilet	Kohler	K4636
toilet seat	chrome	
stop / supply		
P-2	Kohler	K2196-4
drop in lav K2196-4	Moen	6610
lavatory faucet	chrome	
supplies / stops		
P-3L	Oasis	TS-6032L
LH tub / shower	Oasis	TS-6032-R
P-3R	Moen	T2151/2520
RH tub/shower	Gerber	41-813
tub/shower valve		
Trip waste		
P-4	Moen	G 182113
kitchen sink	Moen	7185C
Kitchen faucet	chrome	
basket strainers		
P-5	Sioux Chief	OX Box 696-2313MF
Washer box		
WH	HTP	HTP EVC040-C2W060N
Water heater		
BFP	Watts	909 RPZ
Backflow preventor		
FPHB		
Frost-Proof Hose Bibb		

water piping sizing	Qty	FU	Total FU
shower	8	2	16
toilet	8	2.5	20
lavatory	8	1	8
Kit sink	8	1.5	12
CW	8	4	32
DW	8	1.5	12
Hose Bib	2	2.5	5
total FU			105

UPC Sizing Guide	
46-60 PSI	151 FU
1-1/2 water main	
3/4 branch to units	
4" PVC for sewer main	



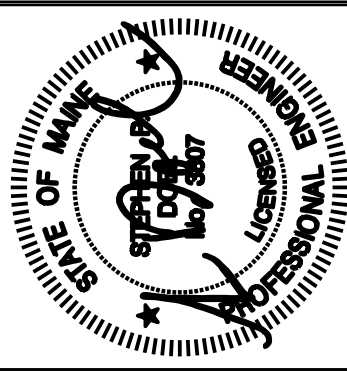
DOMESTIC HOT WATER PIPING SCHEMATIC

NTS

MECHANICAL AND PLUMBING SYMBOLS AND ABBREVIATIONS LEGEND

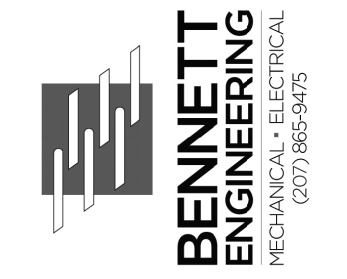
NOTE - USE SYMBOLS AND ABBREVIATIONS AS APPLICABLE FOR THIS MECHANICAL DRAWING SET. SOME SYMBOLS AND ABBREVIATIONS IN THIS LEGEND MAY NOT APPLY.

SYMBOL	DESCRIPTION	SYMBOL	DESCRIPTION	ABBREVIATION	DESCRIPTION	ABBREVIATION	DESCRIPTION	ABBREVIATION	DESCRIPTION	ABBREVIATION	DESCRIPTION	ABBREVIATION	DESCRIPTION
—CA—	COMPRESSED AIR PIPING (CA)	∅	BALL VALVE	AAV	AUTOMATIC AIR VENT	EA	EXHAUST AIR	HP	HORSEPOWER	PSIA	POUNDS PER SQUARE INCH ABSOLUTE	VAV.*	VARIABLE AIR VOLUME BOX TAG
—C—	CONDENSATE DRAIN PIPING (C)	∅	BALL VALVE	AD	ACCESS DOOR	EAT	ENTERING AIR TEMPERATURE	HRV.*	HEAT RECOVERY VENTILATOR TAG	PSIG	POUNDS PER SQUARE INCH GAGE	VB	VACUUM BREAKER
—CTR—	COOLING TOWER RETURN PIPING (CTR)	∅	3/4" BALL VALVE WITH 3/4" HOSE END	AF	ABOVE FINISHED FLOOR	EDB	ENTERING DRY BULB	HU	HOT WATER	PVC	POLYVINYL CHLORIDE (PIPE)	VFD	VARIABLE FREQUENCY INVERTER DRIVE
—CTS—	COOLING TOWER SUPPLY PIPING (CTS)	∅	GATE VALVE	AFF	AIR HANDLING UNIT TAG	EDC.*	ELECTRIC DUCT COIL TAG	HWS/R	HOT WATER SUPPLY AND RETURN	RA	RETURN AIR	VTR	VENT THRU ROOF
—CWR—	CHILLED WATER RETURN PIPING (CWR)	∅	PRESSURE REDUCING VALVE	AHU.*	AIR HANDLING UNIT TAG	EER	ENERGY EFFICIENCY RATIO	I-B-R	INSTITUTE OF BOILER AND RADIATOR MANUFACTURERS	RD	ROOF DRAIN	V/PH/Hz	VOLTS/PHASES/HERTZ
—CWS—	CHILLED WATER SUPPLY PIPING (CWS)	∅	FUSIBLE VALVE	AMS	AIRFLOW MONITORING STATION	EF.*	EXHAUST FAN TAG	IFWH.*	INDIRECT FIRED WATER HEATER TAG	RDE	RECOMMENDED DUAL ELEMENT FUSE AMPS	WB	WET BULB
—FOR—	FUEL OIL RETURN PIPING (FOR)	∅	2-WAY CONTROL VALVE	AMPS	AMPERES	EG.*	EXHAUST GRILLE TAG	IN.	INCHES	RG.*	RETURN GRILLE TAG	WG	WATER GAGE
—FOS—	FUEL OIL SUPPLY PIPING (FOS)	∅	STRAINER W/BLOWDOWN BALL VALVE	AP	ACCESS PANEL	ER.*	EXHAUST REGISTER TAG	IV.*	INTAKE VENT TAG	RHW	RECIRCULATED HOT WATER	WPD	WATER PRESSURE DROP
—G—	GAS PIPING (G)	∅	SOLENOID VALVE	APD	AIR PRESSURE DROP	ESP	EXTERNAL STATIC PRESSURE	L.*	LOUVER TAG	RLA	RUNNING LOAD AMPS	WSA	WIRE SIZING AMPS
—HWR—	HOT WATER RETURN PIPING (HWR)	∅	3-WAY CONTROL VALVE	AS.*	AIR SEPARATOR TAG	ET.*	EXPANSION TANK TAG	LAT	LEAVING AIR TEMPERATURE	RPM	REVOLUTIONS PER MINUTE	WTD	WATER TEMPERATURE DROP
—HWS—	HOT WATER SUPPLY PIPING (HWS)	∅	2 BUTTERFLY VALVES W/SINGLE ACTUATOR	ATC	AUTOMATIC TEMPERATURE CONTROL	EUB	ENTERING UET BULB	LB	FOUNDS	RPS	REVOLUTIONS PER SECOND	W	WITH
—RL—	REFRIGERANT LIQUID PIPING (RL)	∅	BUTTERFLY VALVE W/ACTUATOR	B.*	BOILER TAG	EWH.*	ELECTRIC WATER HEATER TAG	LD.*	LINEAR DIFFUSER TAG	RPZ	REDUCED PRESSURE ZONE	ZD.*	ZONE DAMPER TAG
—RG—	REFRIGERANT GAS PIPING (RG)	∅	TRIPLE-DUTY VALVE	BD.*	BYPASS DAMPER TAG	EWT	ENTERING WATER TEMPERATURE	LTHWS/R	LOW TEMPERATURE HOT WATER	RR.*	RETURN REGISTER TAG		
—SAN—	SANITARY PIPING ABOVE FLOOR (SAN)	∅	UNION	BFP.*	BACKFLOW PREVENTER TAG	EXG	EXISTING	LRA	LOCKED ROTOR AMPS	RTU	ROOM TEMPERATURE SENSOR		
—SAN—	SANITARY PIPING BELOW FLOOR (SAN)	∅	PIPE FLANGE	BHP	BRAKE HORSEPOWER	EXH	EXHAUST	LWCO	LOW WATER CUTOFF	RV	RELIEF VALVE		
—RUL—	RAINWATER LEADER ABOVE SLAB (RUL)	∅	PUMP WITH FLANGES	BTUH	BRITISH THERMAL UNITS PER HOUR	FC	FLEXIBLE CONNECTION	LUIT	LEAVING WATER TEMPERATURE	RUL	RAINWATER LEADER		
—CW—	COLD WATER PIPING (CW)	∅	BASE MOUNTED PUMP	CBD	COUNTER BALANCED DAMPER	FCO	FLOOR CLEANOUT	MAX	MAXIMUM	SA	SUPPLY AIR		
—HW—	HOT WATER PIPING (HW)	∅	CARTRIDGE TYPE INLINE PUMP	CC.*	COOLING COIL TAG	FD	FIRE DAMPER	MEH	THOUSANDS OF BTU PER HOUR	SAN	SANITARY (DRAIN & WASTE)		
—RHW—	RECIRCULATED HOT WATER PIPING (RHW)	∅	VERTICAL INLINE PUMP	CFM	CUBIC FEET PER MINUTE	FFD	FLOOR DRAIN TAG	MCA	MINIMUM CIRCUIT AMPACITY	SD	SMOKE DAMPER		
—FC—	FLEXIBLE PIPE CONNECTION (FC)	∅	DOUBLE CHECK	CHLR.*	CHILLER TAG	FLA	FULL LOAD AMPS	MIN	MINIMUM	SEER	SEASONAL ENERGY EFFICIENCY RATIO		
—CV—	VALVE COEFFICIENT	∅	WATER FLOW SWITCH	CO	CLEANOUT	FOR	FUEL OIL RETURN	NC	NOISE CRITERION	SF	SUPPLY FAN		
—CW/R—	CHILLED WATER SUPPLY AND RETURN	∅	PRESSURE GAGE WITH GAGE COCK	CONV.*	CONVECTOR TAG	FOS	FUEL OIL SUPPLY	NIC	NOT IN CONTRACT	SG.*	SUPPLY GRILLE TAG		
—DB	DRY BULB	∅	THERMOMETER IN WELL	CJH.*	CABINET UNIT HEATER TAG	FFHFB	FROST PROOF HOSE BIBB	NTS	NOT TO SCALE	SP	STATIC PRESSURE		
—dB RE	DECIBELS RELATIVE TO	∅	DOUBLE CHECK	CP.*	CIRCULATING PUMP TAG	FFM	FEET PER MINUTE	OA	OUTSIDE AIR	SP.*	SUMP PUMP TAG		
—DC	DOUBLE CHECK	∅	WATER FLOW SWITCH	CT.*	COOLING TOWER TAG	FS.*	FLOOR SINK TAG	OBDD	OPPOSED BLADE DAMPER	SR.*	SUPPLY REGISTER TAG		
—DCA	DOUBLE CHECK ATMOSPHERIC	∅	PRESSURE SWITCH OR SENSOR	Cv	VALVE COEFFICIENT	FT	FEET	OD.	OUTSIDE DIAMETER	SQFT	SQUARE FEET		
—DEG F	DEGREES FAHRENHEIT	∅	IMMERSION TEMPERATURE SENSOR	CHWS/R	CHILLED WATER SUPPLY AND RETURN	FTR.*	FINTUBE RADIATION TAG	OED	OPEN ENDED DUCT	TEMP.	TEMPERATURE DIFFERENTIAL		
—DIA	DIAMETER	∅	DUCT MOUNTED SMOKE DETECTOR	DB	DRY BULB	GA	GAGE	OFRL	OVERFLOW RAINWATER LEADER	TCP	TEMPERATURE CONTROL PANEL		
—DIW	DOWN IN WALL	∅	ROOM TEMPERATURE SENSOR	dB RE	DECIBELS RELATIVE TO	GAL	GALLONS	OFWH.*	OIL FIRED WATER HEATER TAG	TMV.*	THERMOSTATIC MIXING VALVE TAG		
—DN	DOWN	∅	THERMOSTAT OR SENSOR ON WALL	DC	DOUBLE CHECK	GALH.*	GAS FIRED WATER HEATER TAG	OFRD	OVERFLOW ROOF DRAIN	TSP	TOTAL STATIC PRESSURE		
		∅		DCA	DOUBLE CHECK ATMOSPHERIC	GPM	GALLONS PER MINUTE	OPD	OVERCURRENT PROTECTIVE DEVICE	TYP	TYPICAL		
		∅		DEG F	DEGREES FAHRENHEIT	GUH.*	GAS UNIT HEATER TAG	P.*	PLUMBING FIXTURE TAG	UH.*	UNIT HEATER TAG		
		∅		DIA	DIAMETER	HC.*	HEATING COIL TAG	PENETN	PENETRATION	UNO.	UNLESS NOTED OTHERWISE		
		∅		DIW	DOWN IN WALL			PF.*	PADDLE FAN TAG				
		∅		DN	DOWN								



Developer
Tate Street Partnership, LLC
17 Chestnut Street
Portland Maine, 04101

Eastern Mechanical Inc
MEP: Design/Build



Project:
West Port Lofts Condominiums
8 Unit Apartment Building
22-28 Tate Street, Portland Maine, 04101
Tax Map 44, Block E, Lots 15,17, & 19

Issued for Permit Only
Not for Construction

Date:
May 24, 2016
Plumbing Details & Schedules

P2.01