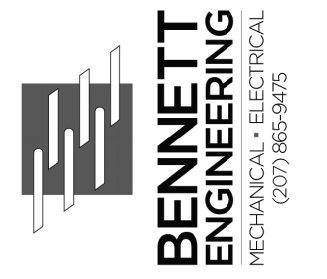


Developer
 Tate Street Partnership, LLC
 17 Chestnut Street
 Portland Maine, 04101

Eastern Mechanical Inc
 MEP: Design/Build

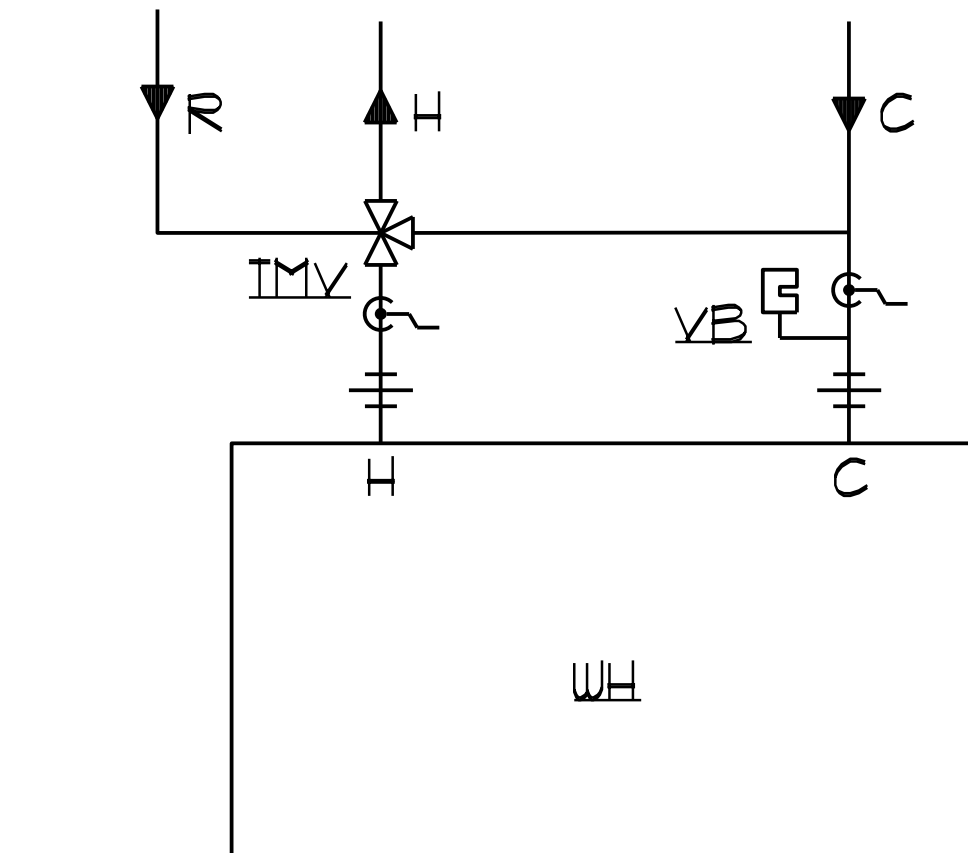


Project:
 West Port Lofts Condominiums
 & Unit Apartment Building
 22-28 Tate Street, Portland Maine, 04101
 Tax Map 44, Block E, Lots 15, 17, & 19

Issued for Permit Only
 Not for Construction

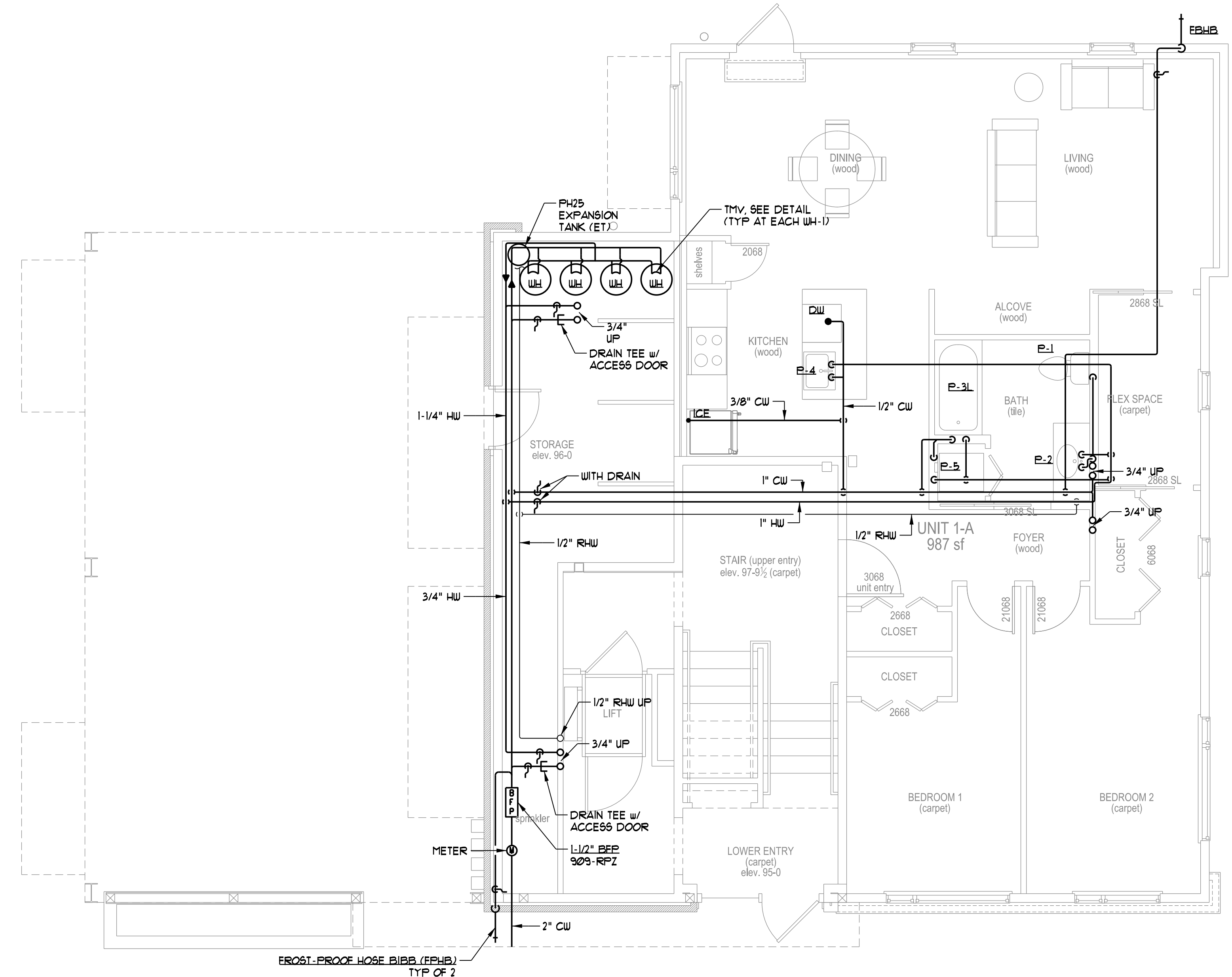
Date:
 May 24, 2016
 First Floor Plumbing Plan

P1.01



WATER HEATER DETAIL

N.T.S



FIRST FLOOR PLAN
 SCALE 1/4" = 1'-0"