

Submittal Data: 15RLS3H
Inverter Driven Heat Pump

15,000 BTU Heat Pump System

Job Name: Robert Fuske

Date: 9-21-15

Location: 45 Brackett St, Portland

Approval: _____

Engineer: n/a

Construction: _____

Submitted to: City of Portland

Unit #: _____

Submitted by: Doggin Energy

Drawing #: _____

Reference: n/a

General Features

- Refrigerant Type R410A.
- Human Sensor
- Wired and wireless remote controllers
- Double swing automatic
- Automatic airflow adjustment
- Low noise mode
- Powerful mode
- 5- Years Parts, 7-Years Compressor Warranty (See Warranty Statement for details)
- Program timer
- Weekly time

Model Information

Outdoor.....	AOU15RLS3H
Indoor.....	ASU15RLS3
Electrical	208/230V AC 1ph-60Hz
Available Voltage Range.....	208/230 +/- 10%
Minimum Circuit Ampacity.....	18.2 A
Max Fuse Size.....	20A
Max Starting Current.....	5.2 A

Input Power

Cooling.....	1.04 kW
Heating.....	1.15 kW

Running Current

Cooling.....	4.8 A
Heating.....	5.2 A

Capacity

Nominal Cooling.....	15,000 Btu
Min-Max Cooling.....	3,100-18,400 Btu/h
Nominal Heating.....	18,000 Btu/h
Min-Max Heating.....	3,100-23,900 Btu/h

Compressor

.....	Rotary (inv x1)
Motor Output.....	1,000 W
Refrigerant.....	R410a
Charge.....	3 lbs. 1 oz
Oil.....	FREOL a68SZ

Fan Motor

(Condenser) Type: DC.....	Propeller x 1
(Condenser) Motor Output.....	49 W
(Evaporator) Type: DC.....	Cross flow fan x1
(Evaporator) Motor Output.....	61 W

Heat Exchanger {Condenser (C) Evaporator (E)}

Dimensions (H x W x D)	
Condenser.....	23-1/8 x 34-11/16 x 1-7/16 in. (588x881x36.4 mm)
Evaporator.....	Main 15-1/8 x 28-3/8 x 1-3/16 in. (384x720x30) Sub 3-5/16 x 28-3/8 x 1/2 in. (84x720x13.3 mm)
Fin Pitch.....	20 FPI (C) Main 21 FPI Sub 18 FPI (E)
Rows x Stages.....	2 x 28 (C) Main 3 x 24 Sub 1 x 10 (E)
Pipe Type (Material).....	Copper (C) Copper (E)
Fin Type (Material).....	Aluminum (C) Aluminum (E)

Note: Specifications are based on the following conditions:
Cooling: In room temperature of 80°F (26.7°C) DB/67°F (19.4°C) WB, and outdoor temperature of 95°F (35°C) DB/75°F (23.9°C) WB.
Heating: In room temperature of 70°F (21.1°C) DB/59°F (15.0°C) WB, and outdoor temperature of 47°F (8.3°C) DB/43°F (6.1°C) WB.
Pipe length: 24ft. 7in. (7.5m). Height difference: 0ft. (0m) (Outdoor unit - indoor unit)



Operation Temperature Range

Cooling.....	14°F (-10°C) to 115°F (46°C)
Heating.....	-15°F (-26°C) to 75°F (24°C)

Efficiency

SEER.....	25.3
EER (cooling).....	4.09 kW/kW
COP (heating).....	4.59 kW/kW / 15.7 Btu/hW
HSPF (heating).....	13.4 Btu/hW

Enclosure (Condenser)

Material.....	Painted galvanized steel
Color.....	Beige (10 YR 7.5/1.0 NN)

Sound Pressure Level

Outdoor.....	49 dB(A)
Indoor.....	45 dB(A)

Dimensions

H x W x D	
Outdoor in. (mm).....	24-1/2 (620) x 31-1/8 (790) x 11-7/16 (290)
Indoor in. (mm).....	11- 5/8 (295) x 37 (940) x 10-5/8 (270)

Connection Pipe

Liquid.....	1/4" / 6.35 mm Flare
Gas.....	1/2" / 12.7 mm Flare
Method (Liquid/Gas).....	Brazing
Max Length (Pre-charge).....	66 ft.(20 m) / (49 ft. {15 m})
Max Height Difference.....	49 ft. (15 m)

Weight

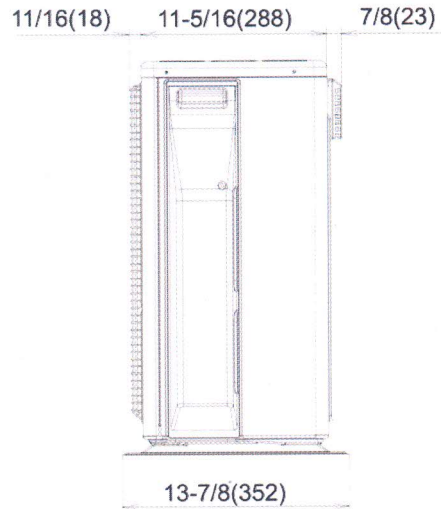
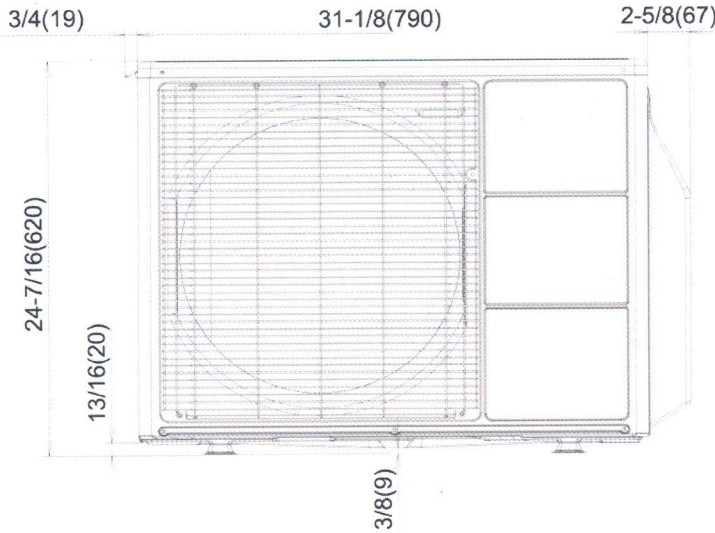
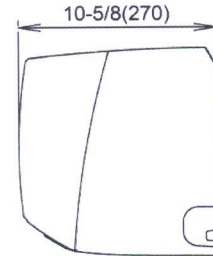
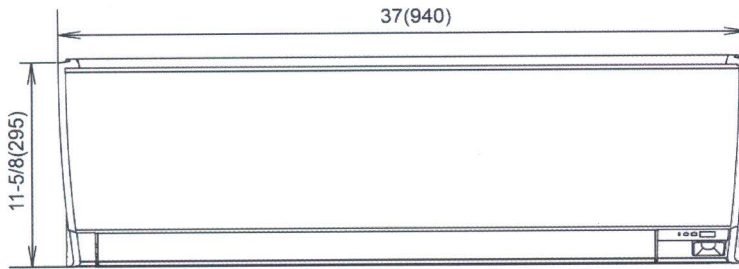
Outdoor.....	88 lbs (40 kg)
Indoor.....	31 lbs (14 kg)

Accessories

Wired Remote Controller.....	UTY-RVNUM
Wired Remote Controller.....	UTY-RNNUM
Simple Remote Controller.....	UTY-RSNUM
Communication Kit.....	UTY-TWBXF1
External Connection Kit.....	UTY-XWZZ5

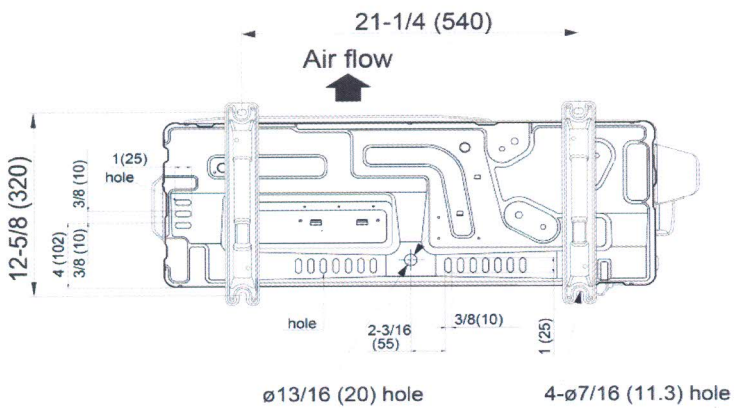
Dimensions: 15RLS3H

[Unit: in. (mm)]

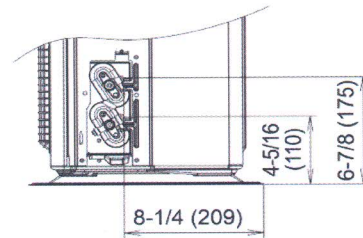


Front view

Side view



Bottom view



The Fujitsu logo is a registered trademark of Fujitsu Limited.
 The Halcyon logo and name is a trademark of Fujitsu General America, Inc.
 Copyright 2014 Fujitsu General America, Inc.
 Fujitsu's products are subject to continuous improvements. Fujitsu reserves the right to modify product design, specifications and information in this brochure without notice and without incurring any obligations.

FUJITSU
 Fujitsu General America, Inc.
 353 Route 46 West
 Fairfield, NJ 07004
 Toll Free: 1-888-888-3424
 Fax: (973) 836-0447
www.fujitsugeneral.com