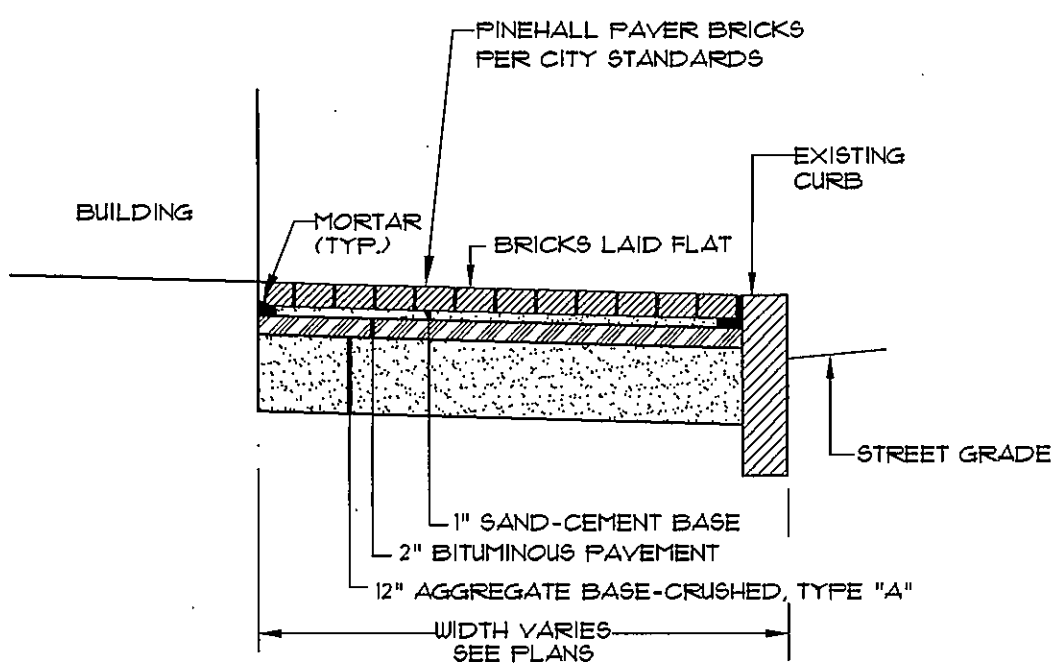


CONCRETE BLOCK RETAINING WALL

NOT TO SCALE

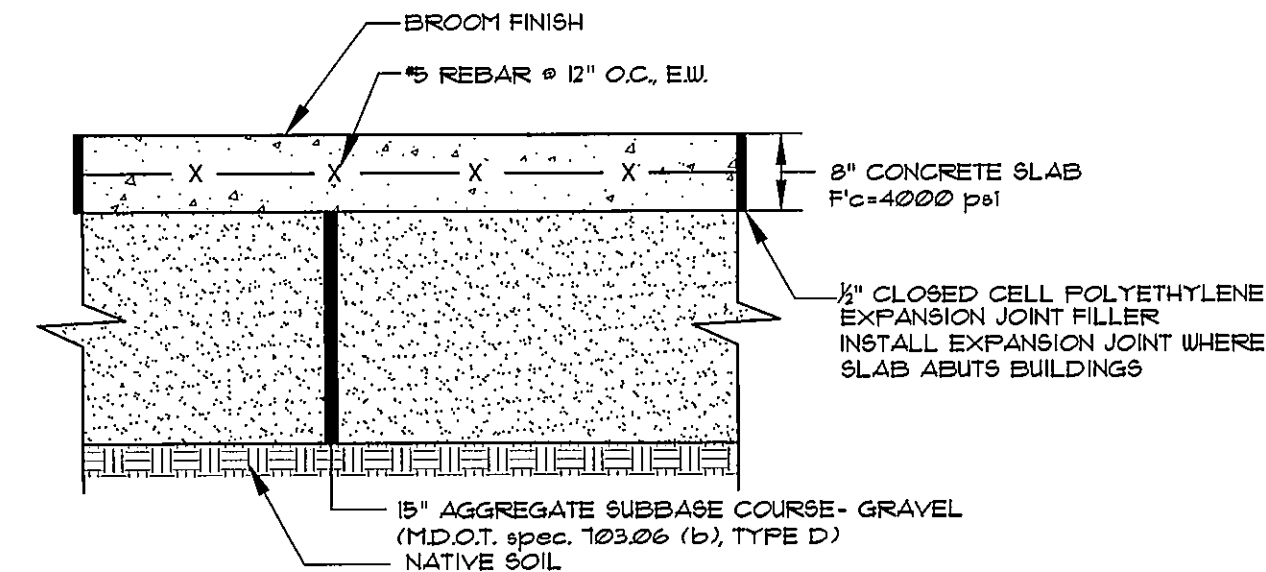
NOTE: CONTRACTOR SHALL PROVIDE ENGINEERING DESIGN SHOP DRAWINGS PLANS AND CALCULATIONS FOR REVIEW BY THE ARCHITECT PRIOR TO CONSTRUCTION. THE PLANS SHALL BE PREPARED BY A PROFESSIONAL ENGINEER LICENSED IN MAINE. ALL WALL DESIGNS TO BE REVIEWED BY OURS GEOTECHNICAL ENGINEER FOR GLOBAL STABILITY PRIOR TO SUBMITTING PLANS AND CALCULATIONS TO ARCHITECT.



BRICK SIDEWALK DETAIL

NOT TO SCALE

NOTE: BORDER COURSE OF BRICK SHALL BE MORTARED TO PAVEMENT BASE.

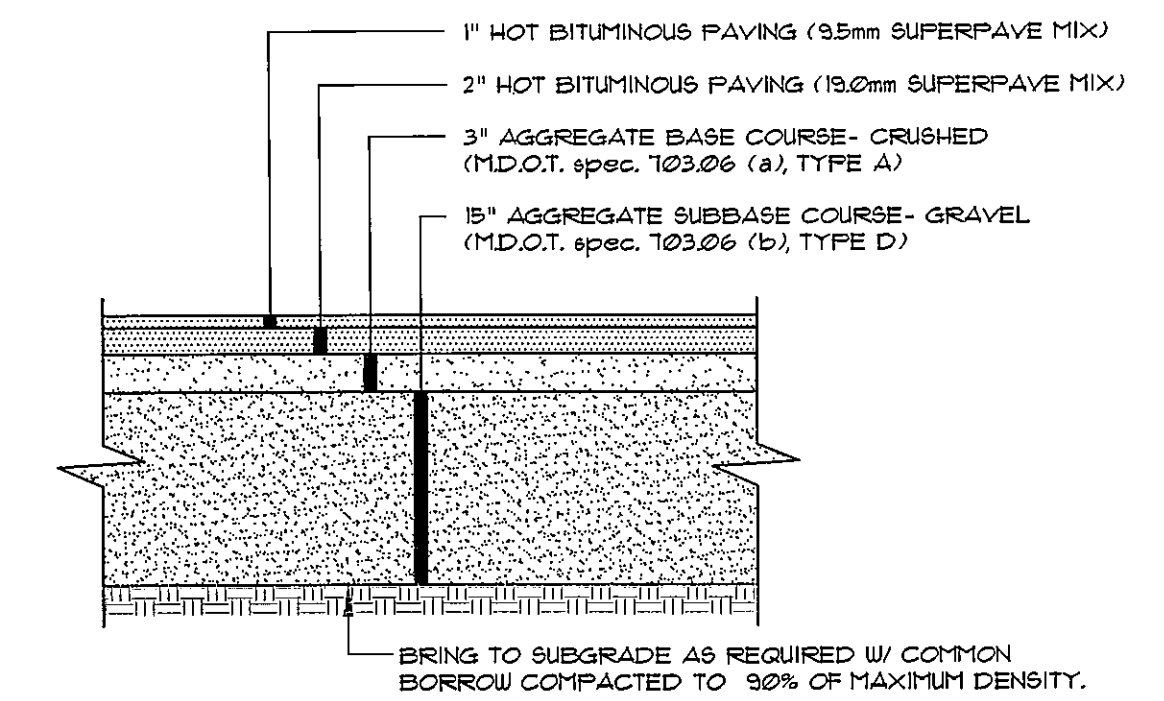


NOTE:

1. PROVIDE CONTRACTION CONTROL JOINTS EVERY 6' IN EACH DIRECTION

TYPICAL CONCRETE SLAB

NOT TO SCALE

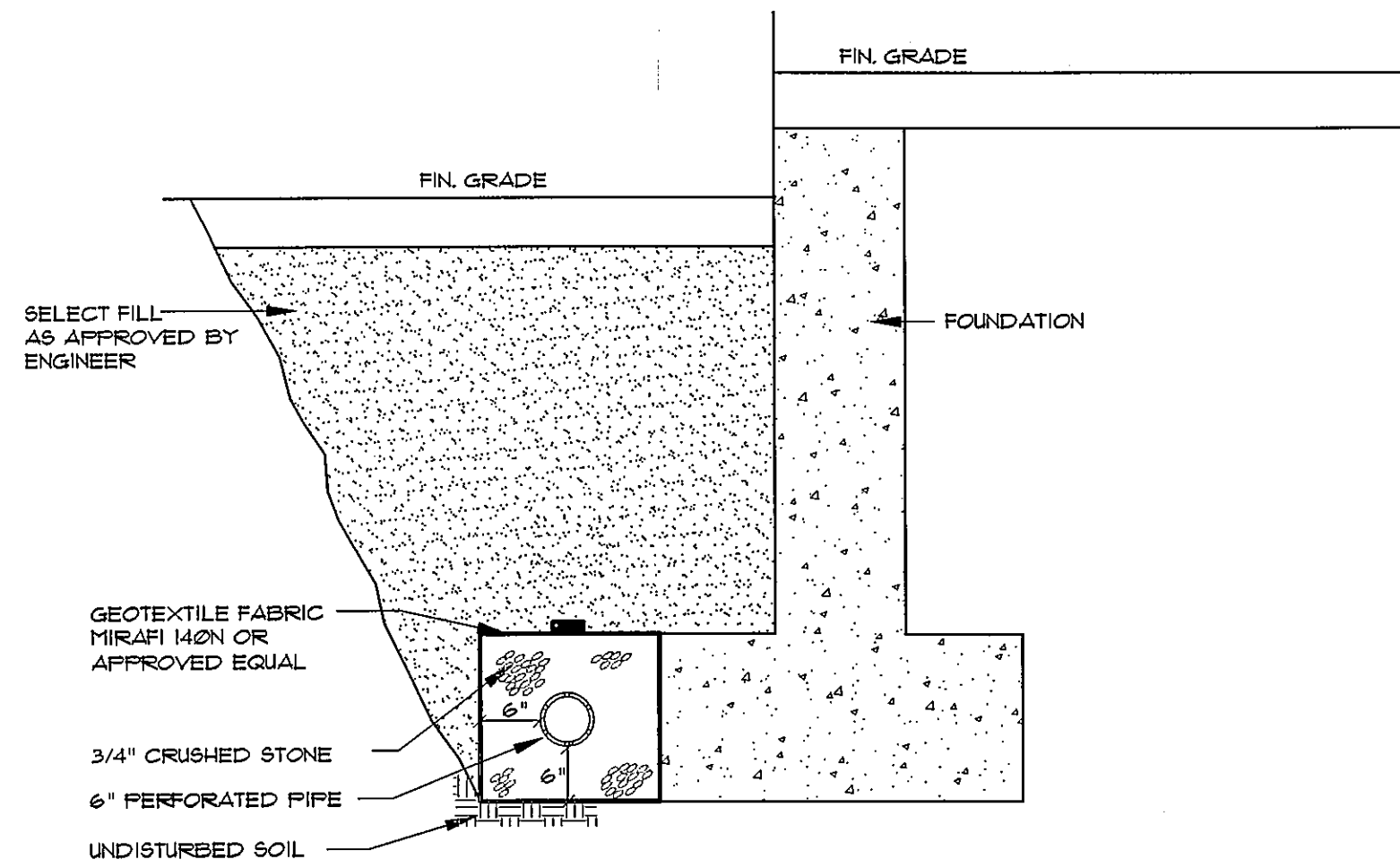


NOTES:

1. COMPACT GRAVEL SUBBASE BASE COURSE TO 92% OF MAXIMUM DENSITY USING HEAVY ROLLER COMPACTION.
2. CONTRACTOR SHALL SET GRADE STAKES MARKING SUBBASE AND FINISH GRADE ELEVATIONS FOR CONSTRUCTION REFERENCE.
3. CONTRACTOR MAY REPLACE BITUMINOUS PAVING SECTION WITH TWO (2) 1-1/2" LIFTS OF 12.5mm SUPERPAVE MIX. SUBMIT PAVEMENT MIX DESIGN PRIOR TO CONSTRUCTION.

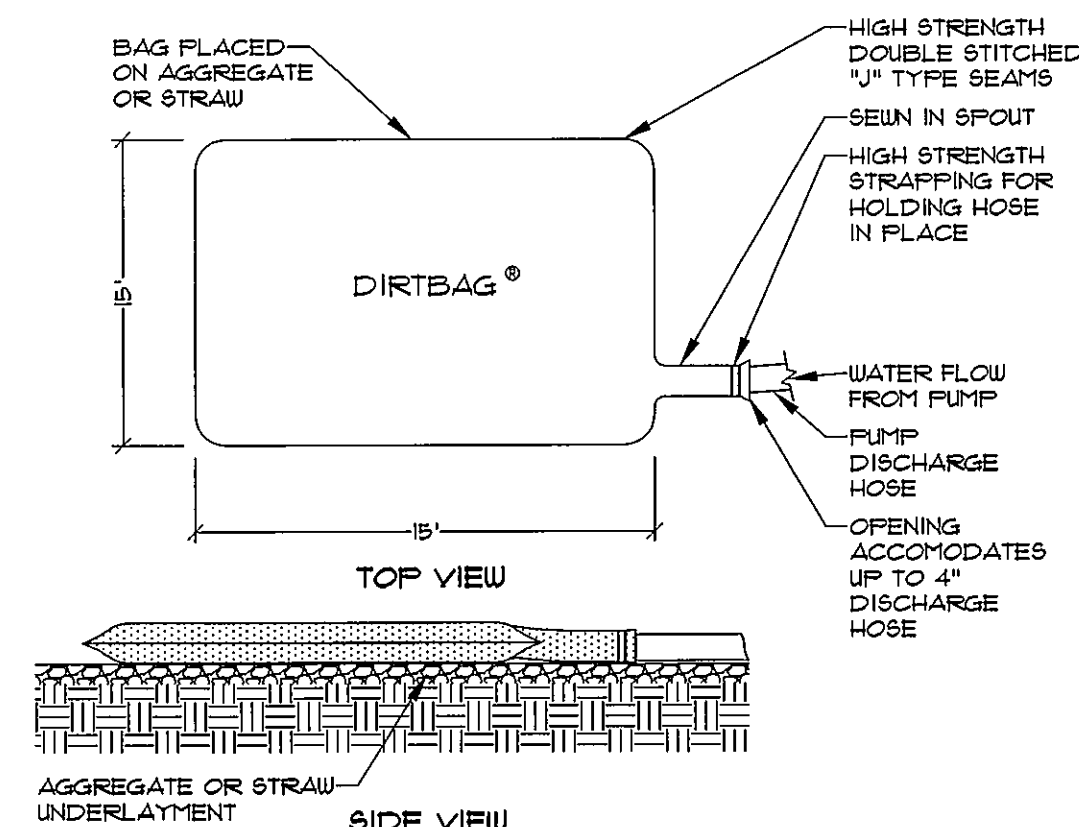
TYP. PAVED ALLEY SECTION

NOT TO SCALE



TYPICAL FOUNDATION DRAIN SECTION

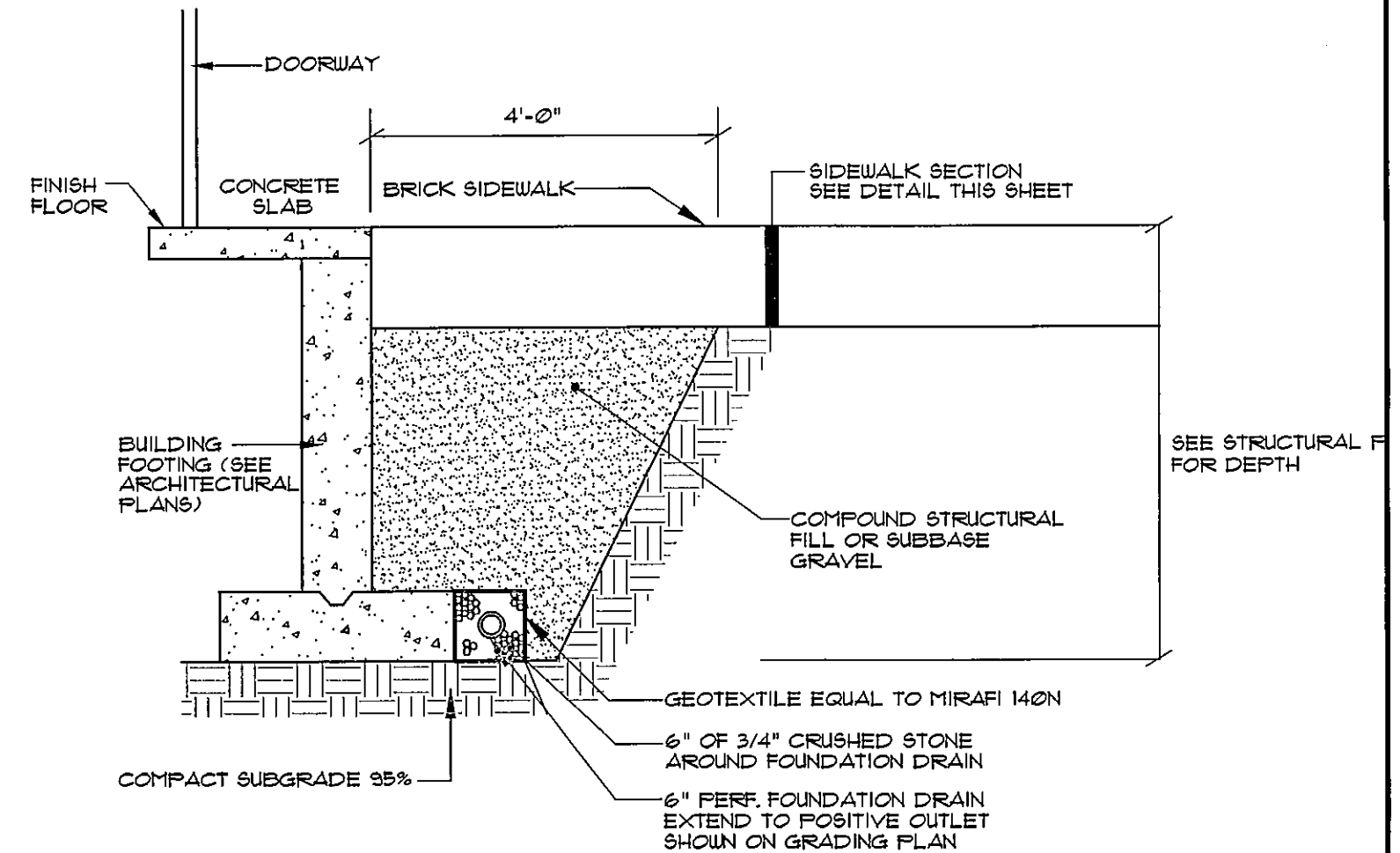
NOT TO SCALE



DIRTBAG PUMPED SILT CONTROL SYSTEM

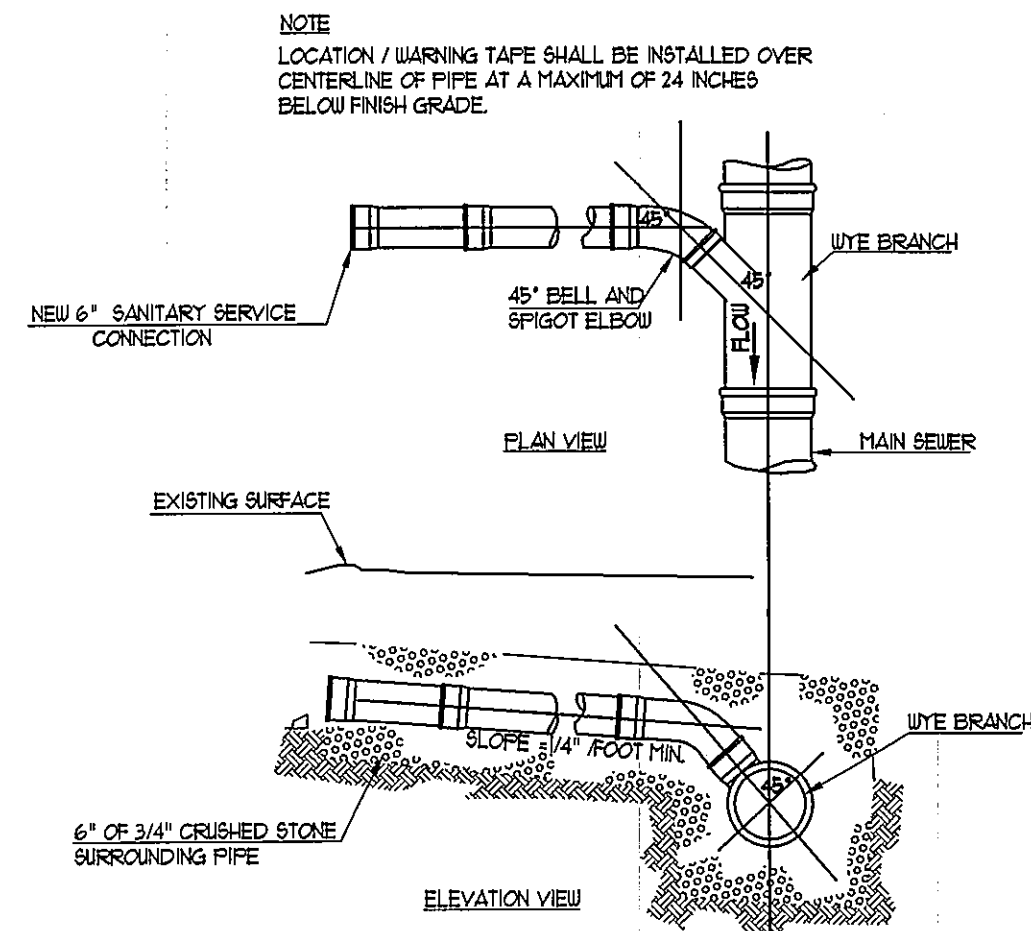
NOT TO SCALE

- INSTALLATION NOTES
1. DEWATERING IF NECESSARY FOR FOUNDATION EXCAVATION AND CONSTRUCTION. REMOVAL OF ACCUMULATED SEDIMENT SHALL BE ACCOMPLISHED WITHOUT DISCHARGING SEDIMENT LADEN WATER TO THE CITY OF PORTLAND STORMWATER INFRASTRUCTURE.
 2. CONTRACTOR MAY UTILIZE A GEOTEXTILE PUMPED SEDIMENT CONTROL DEVICE ("DIRTBAG" OR EQUIVALENT).
 3. INSTALL DIRTBAG ON A 3" BED OF HAY TO MAXIMIZE FLOW OF WATER THROUGH ALL SURFACES OF THE BAG.
 4. SURROUND DIRTBAG WITH A DOUBLE ROW OF SILTATION FENCE, OR AN EROSION CONTROL BERM BACKED BY SILTATION FENCE.



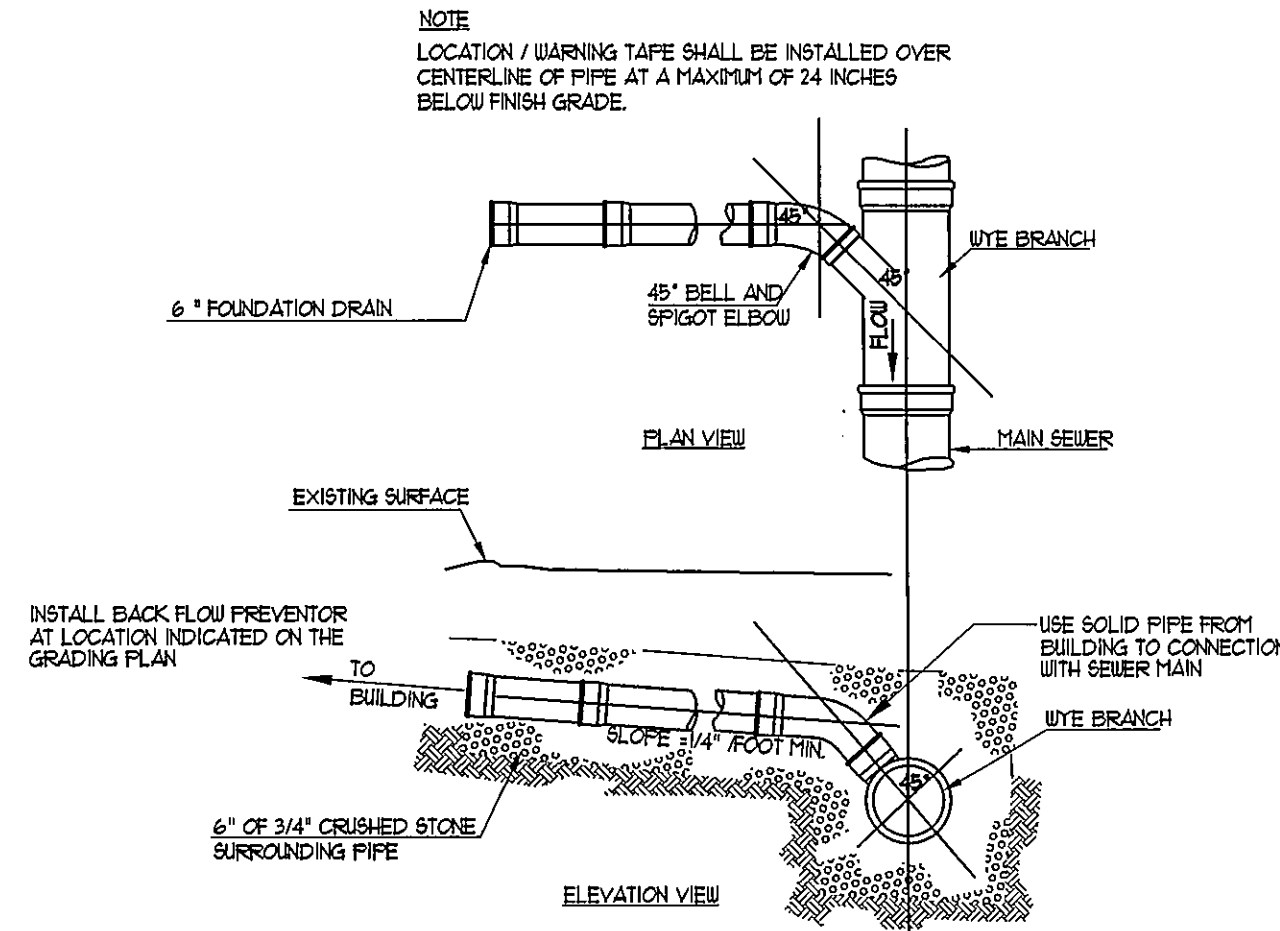
GRANULAR BASE @ DOOR THRESHOLD

NOT TO SCALE



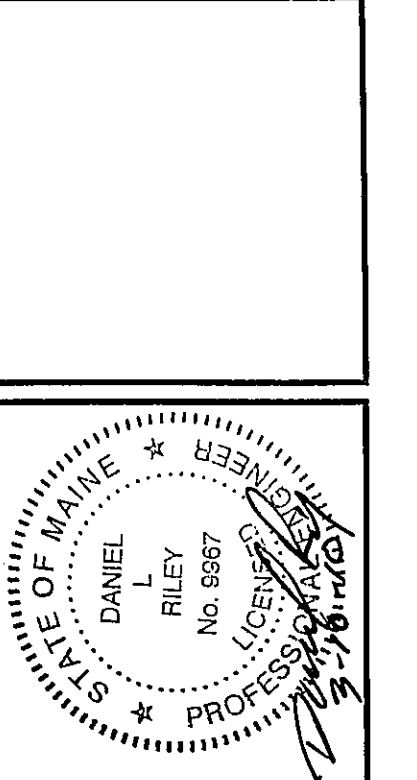
TYPICAL SEWER LATERAL WYE CONNECTION DETAIL

NOT TO SCALE



TYPICAL FOUNDATION DRAIN LATERAL WYE CONNECTION DETAIL

NOT TO SCALE



REV.	BY	DATE	STATUS
B	DLR	9-2-10	REVISED PER CITY STAFF COMMENTS
A	DLR	9-30-09	SUBMITTED FOR MINOR SITE PLAN REVIEW

Sebago Technics
 Engineering. Expertise. You Can Build On.
 One Chabot Street
 Westbrook, ME 04092-1539
 Tel (207) 556-0277
 www.sebagotechnics.com

PROJECT NO. 08913
 FIELD BOOK N/A
 DESIGN APP
 CHECK DLR
 DRAWN APP

DETAILS OF:
231 YORK STREET
 YORK STREET
 PORTLAND, MAINE
 FOR: **DANA FISHER, LLC.**
 P.O. BOX 169
 PORTLAND, MAINE 04112